

DCM 232

Volume 2 Schematics

Klark Teknik Building
Walter Nash Road
Kidderminster
Worcestershire
DY11 7HJ

Tel: +44 (0) 1562 741515

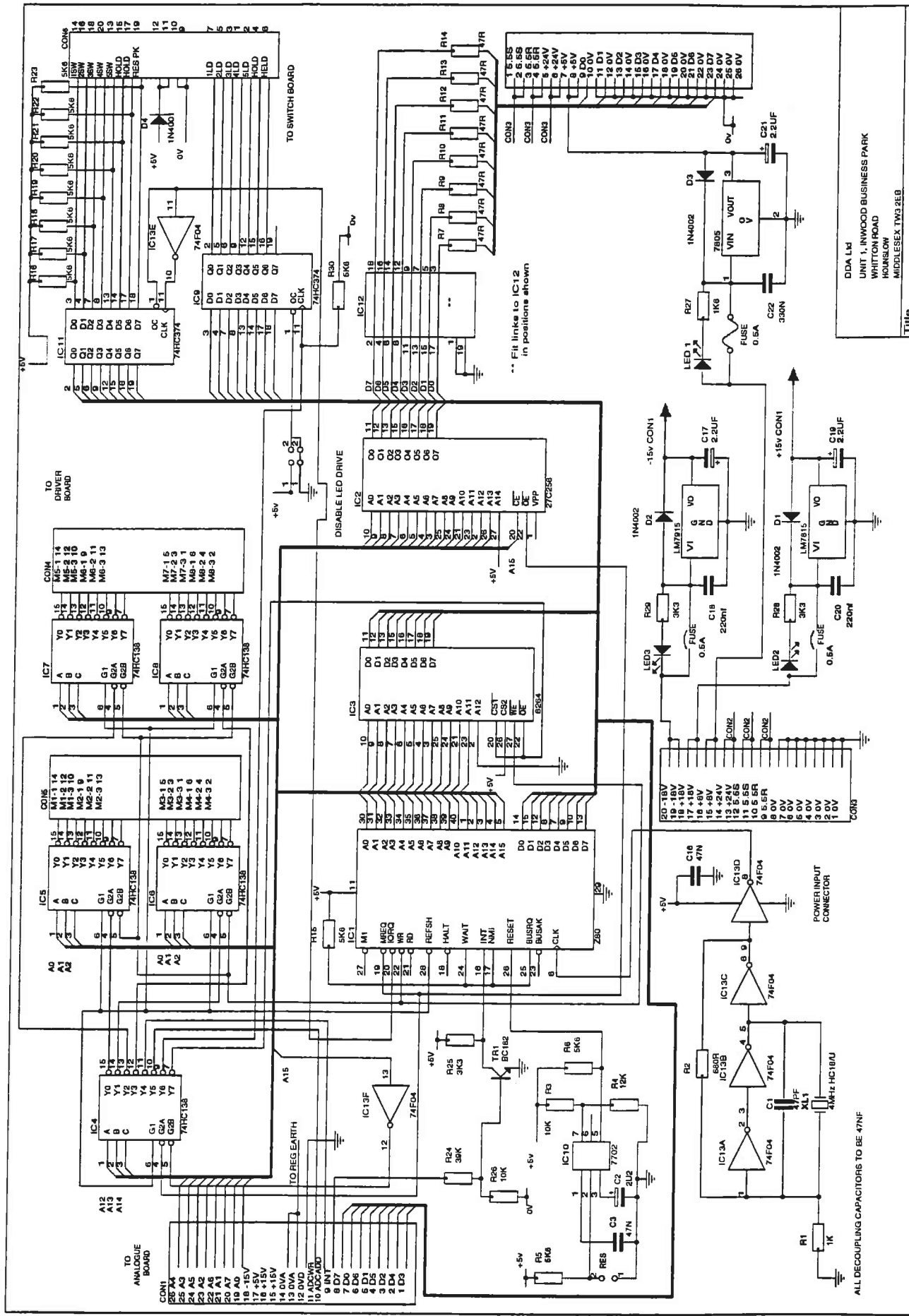
Fax: +44 (0) 1562 745371

Email: info@uk.telex.com

Website: www.ddaconsole.com

DCM 232 Volume 2 Schematics
© Telex Communications (UK) Limited

In line with the company's policy of continual improvement, specifications and function maybe subject to change without notice. This Operator Manual was correct at the time of writing. E&OE.



DDA Ltd
 UNIT 1, INWOOD BUSINESS PARK
 WHITTON ROAD
 HOUNSLOW
 MIDDLESEX TW3 2EB

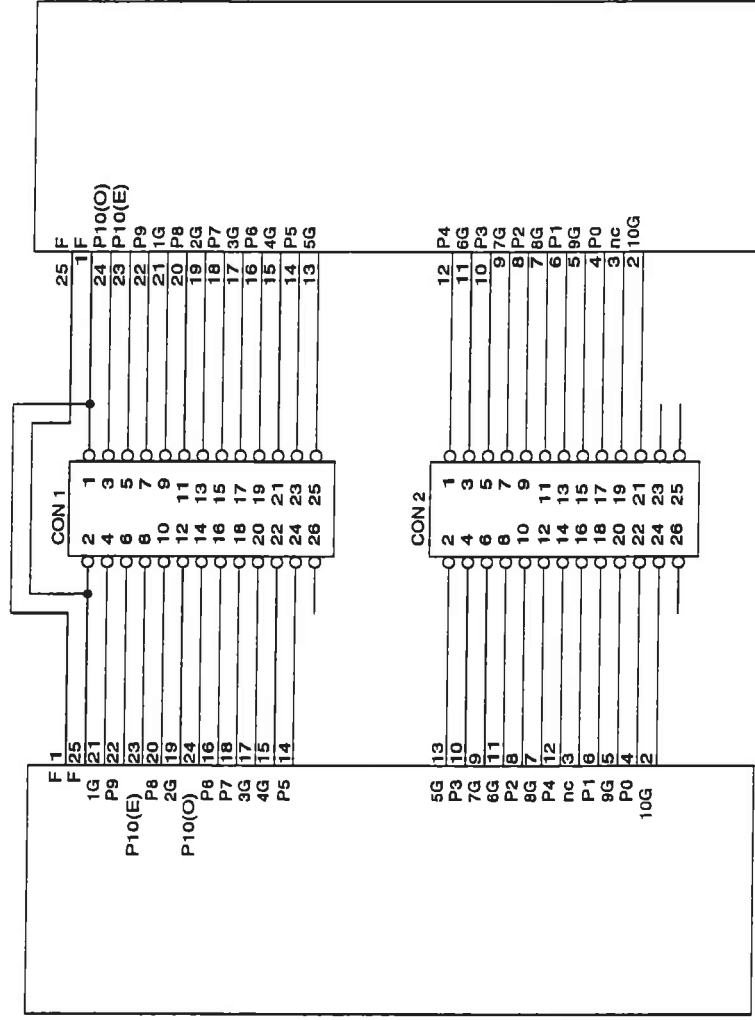
Title: BARGRAPH MICROPROCESSOR AND REGULATORS
 Size: B
 Document Number: CD1075
 Date: April 27, 1984
 Sheet: 1 of 1

REV: 3

ALL DECOUPLING CAPACITORS TO BE 47NF

LEFT METER

RIGHT METER



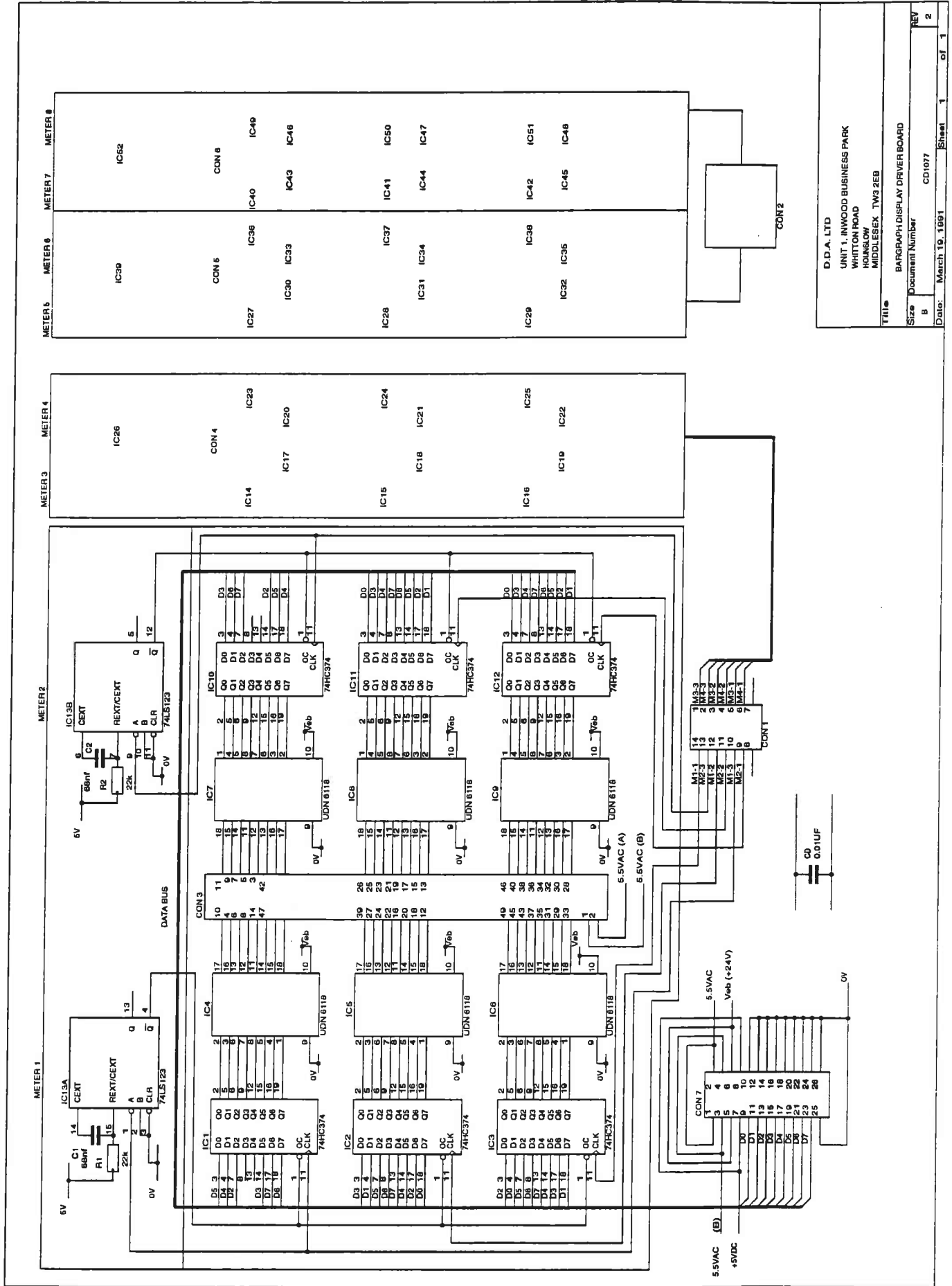
FIP101B8AY

FIP101B8AY

DDA LTD.
 UNIT 1, INWOOD BUSINESS PARK
 WHITTON ROAD
 HOUNSLOW
 MIDDLESEX TW3 2EB

Title	
BARGRAPH DUAL DISPLAY BOARD	
Size	Document Number
A	CD1076
Date:	January 20, 1989
Sheet	1 of 1

REV

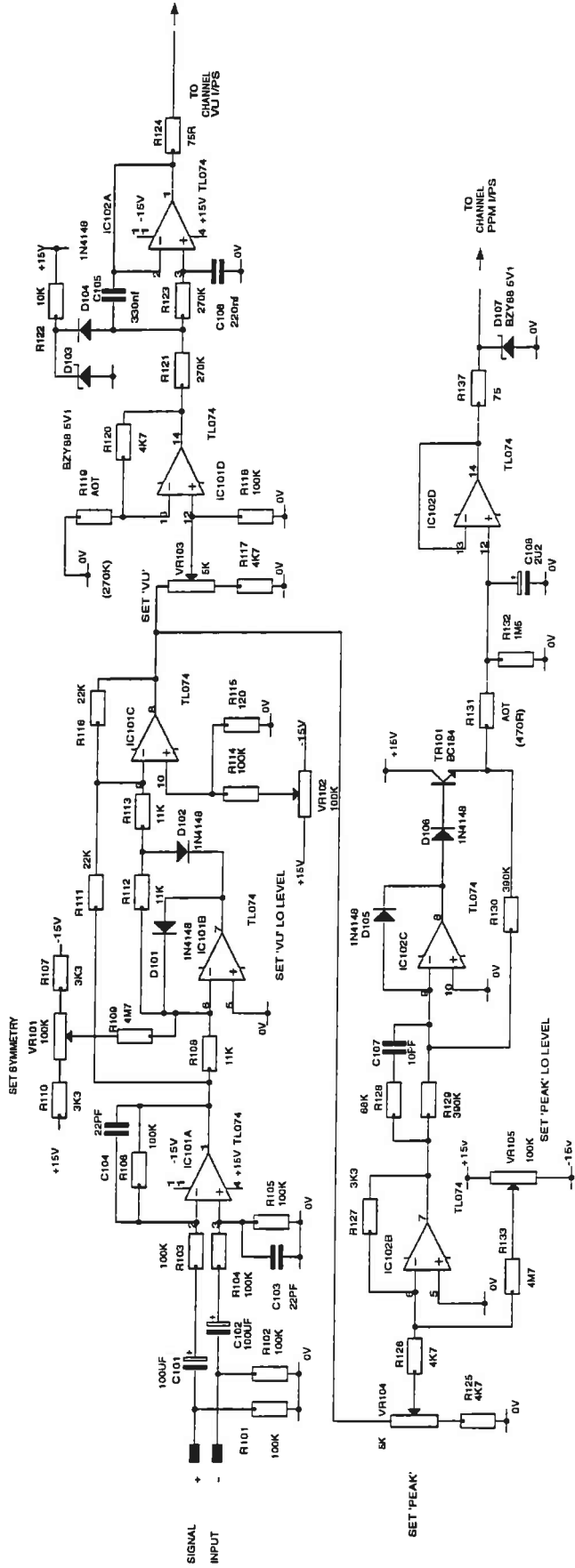


D.D.A. LTD
 UNIT 1, INWOOD BUSINESS PARK
 WHITTON ROAD
 CHORLEY
 LINGWICK, LANCASHIRE
 MIDDLESEX, TW3 2EB

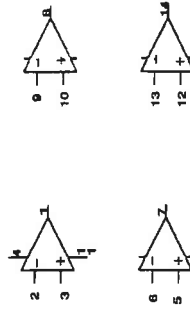
Size: B
 Document Number: CD1077
 Date: March 19, 1991

Sheet 1 of 1

REV 2



Pinout for TL074 channels 1-4 and 5-8

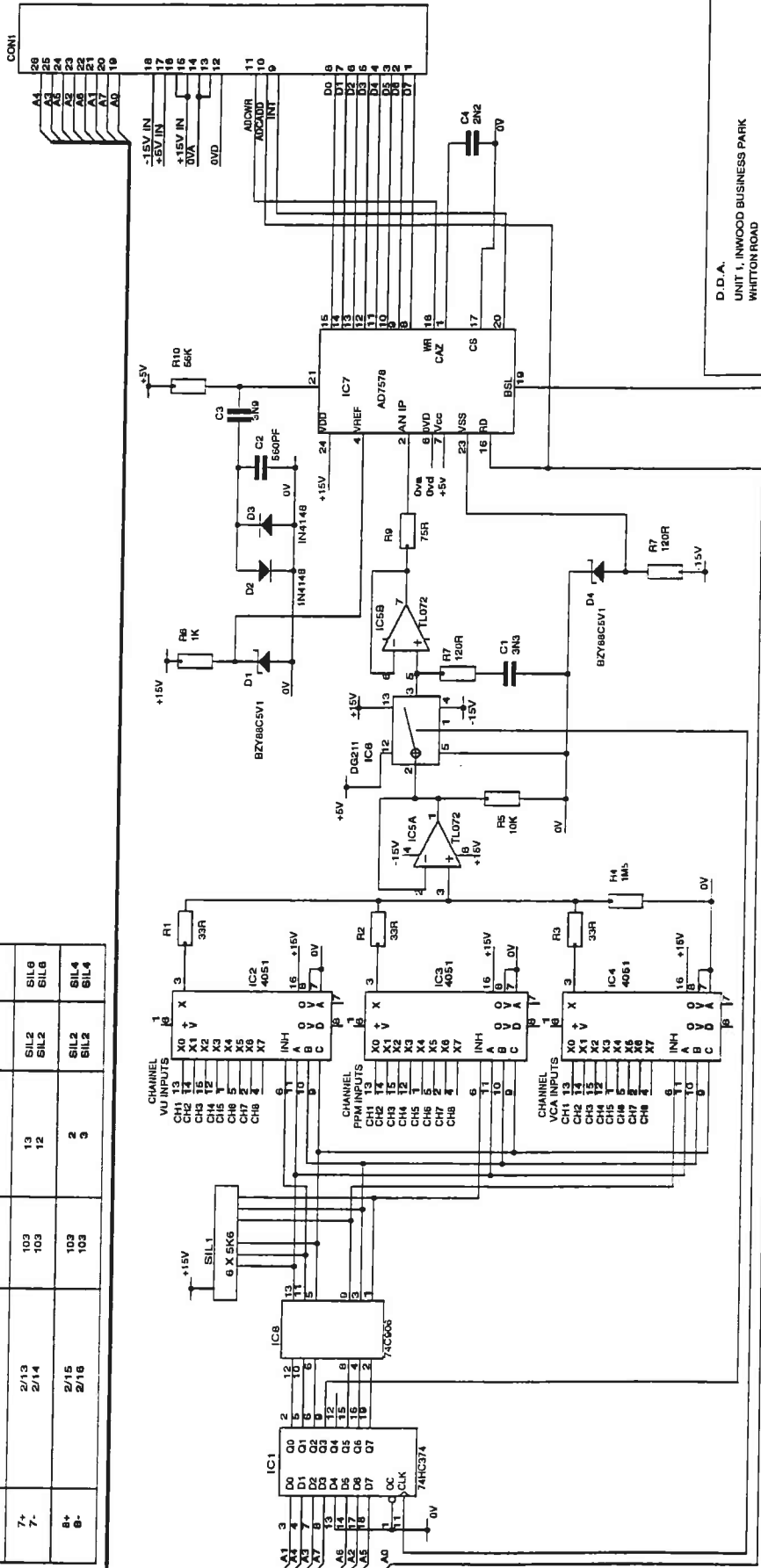
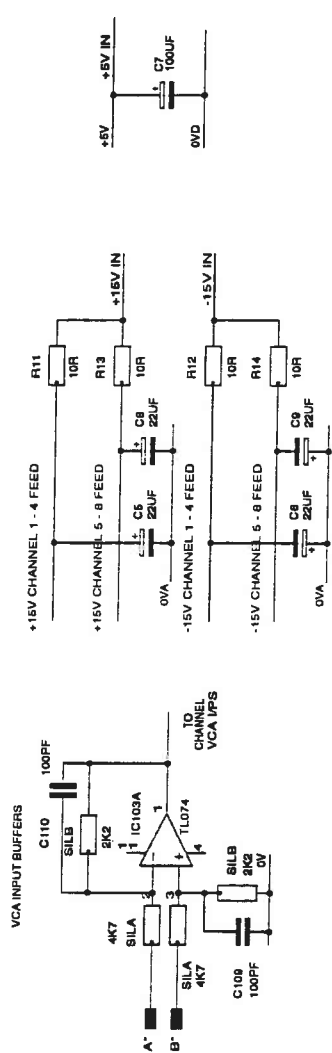


CIRCUITRY IS COMMON FOR ALL 6 CHANNELS
 SIGNAL INPUTS FOR CHANNELS 1 - 4 ARE CONNECTED VIA CON3
 SIGNAL INPUTS FOR CHANNELS 5 - 8 ARE CONNECTED VIA CON4
 THE HUNDREDS PART OF THE COMPONENT NUMBER INDICATES THE CHANNEL THAT IT IS ASSOCIATED WITH ON THE PCB
 THE CIRCUIT SHOWN ABOVE IS FOR CHANNEL 1
 The IC pin numbers are correct for channels 1 - 4 only. For channels 5 - 8 use the conversions shown on the right.

CHANNEL	CONNECTOR	PIN NO.
1+	3	1
1-	3	2
2+	3	3
2-	3	4
3+	3	5
3-	3	6
4+	3	7
4-	3	8
5+	4	1
5-	4	2
6+	4	3
6-	4	4
7+	4	5
7-	4	6
8+	4	7
8-	4	8

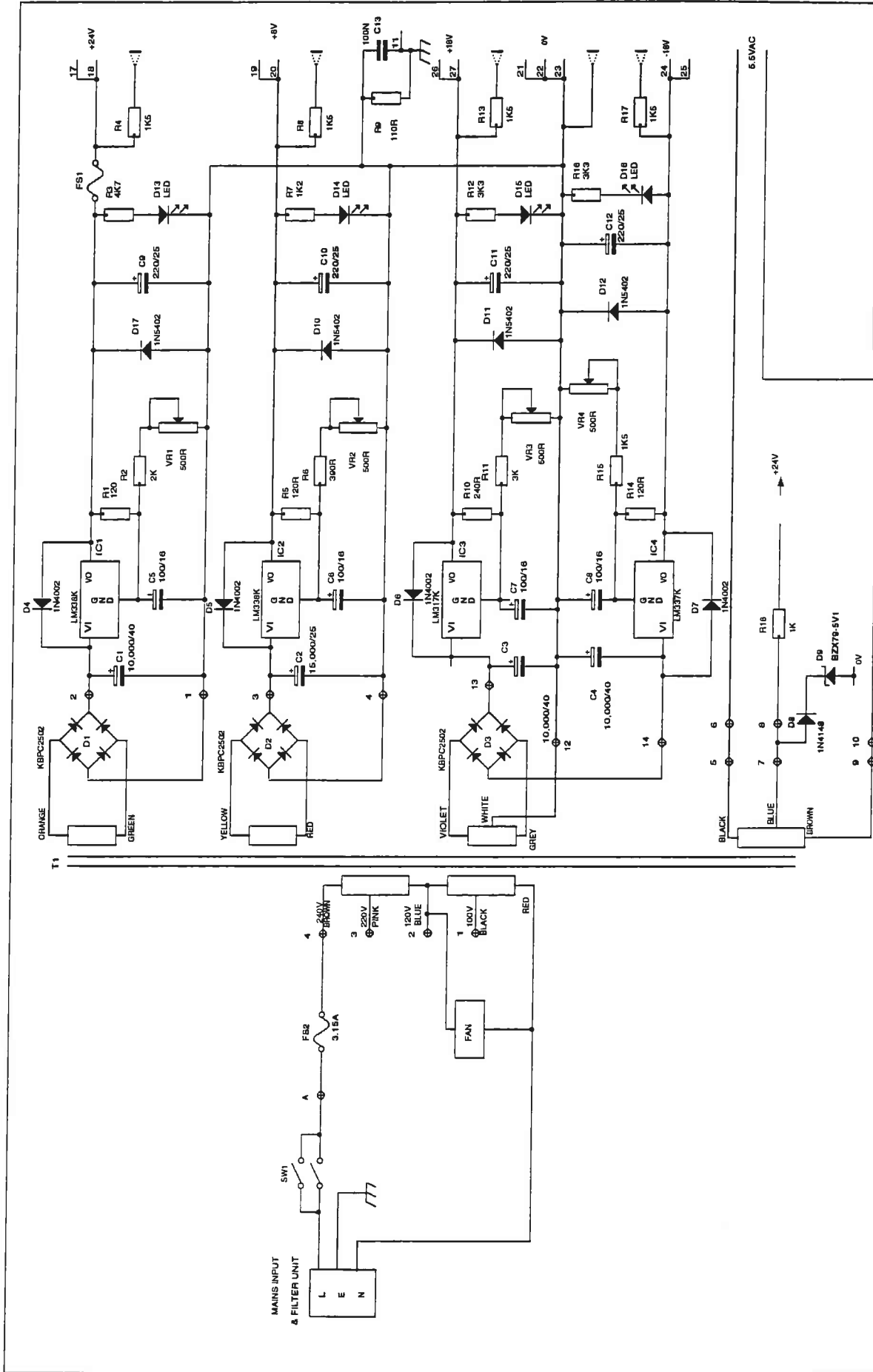
VCA CHANNELS AND ASSOCIATED COMPONENTS

CHANNEL	CONNECTOR/PIN NO	IC NO.	IC PIN NO.	SILA	SILB
1+ 1-	2/1 2/2	104 104	10 8	SIL8 SIL7	SIL8 SIL7
2+ 2-	2/3 2/4	104 104	6 6	SIL9 SIL5	SIL5 SIL5
3+ 3-	2/5 2/6	104 104	13 12	SIL3 SIL3	SIL7 SIL7
4+ 4-	2/7 2/8	104 104	2 3	SIL3 SIL3	SIL5 SIL5
5+ 5-	2/9 2/10	103 103	9 10	SIL8 SIL8	SIL6 SIL6
6+ 6-	2/11 2/12	103 103	6 6	SIL8 SIL8	SIL4 SIL4
7+ 7-	2/13 2/14	103 103	13 12	SIL2 SIL2	SIL6 SIL6
8+ 8-	2/15 2/16	103 103	2 3	SIL2 SIL2	SIL4 SIL4



D.D.A.
UNIT 1, INWOOD BUSINESS PARK
WHITTON ROAD
HOUNSLOW
MIDDLESEX TW3 2EB

Title
BARGRAPH ANALOGUE BOARD: MPU/JF & VCA I/PS
Size
B
Document Number
CD1070
Date
April 28, 1984
Sheet
2 of 2
REV
2



D.D.A. LTD.
 UNIT 1, INWOOD BUSINESS PARK
 WATTON ROAD
 WIMBORNE
 DORSET, BH20 2EB

Title		BARBAPH POWER SUPPLY	
Size	Document Number	CD1081	
B	Date:	April 27, 1994	Sheet 1 of 1
REV			2