

# Network 7

Schematics Manual

Klark Teknik Building  
Walter Nash Road  
Kidderminster  
Worcestershire  
DY11 7HJ

Tel: +44 (0) 1562 741515

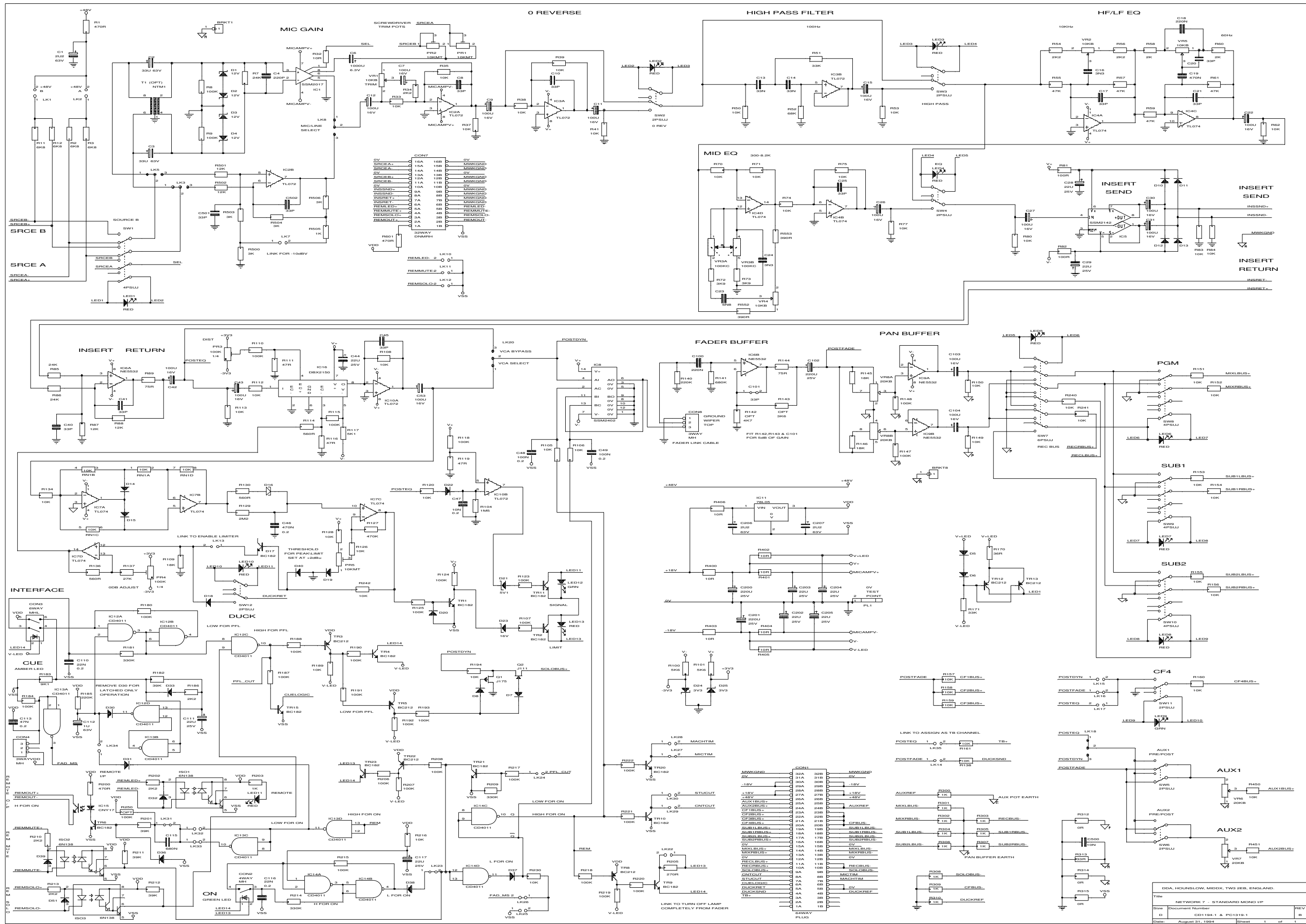
Fax: +44 (0) 1562 745371

Email: [info@uk.telex.com](mailto:info@uk.telex.com)

Website: [www.ddaconsole.com](http://www.ddaconsole.com)

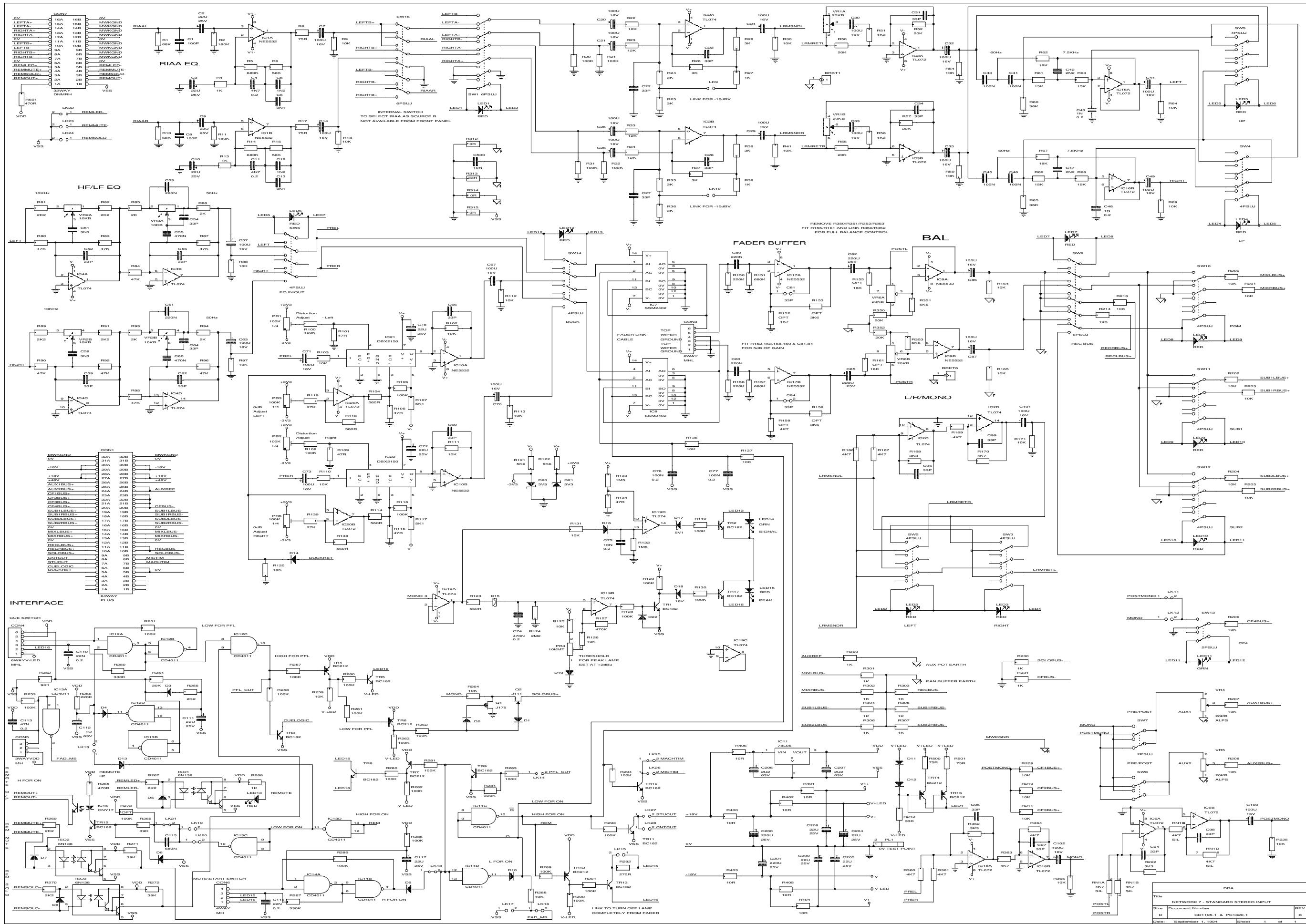
Network 7 Schematics  
© Telex Communications (UK) Limited

In line with the company's policy of continual improvement, specifications and function maybe subject to change without notice. This Operator Manual was correct at the time of writing. E&OE.

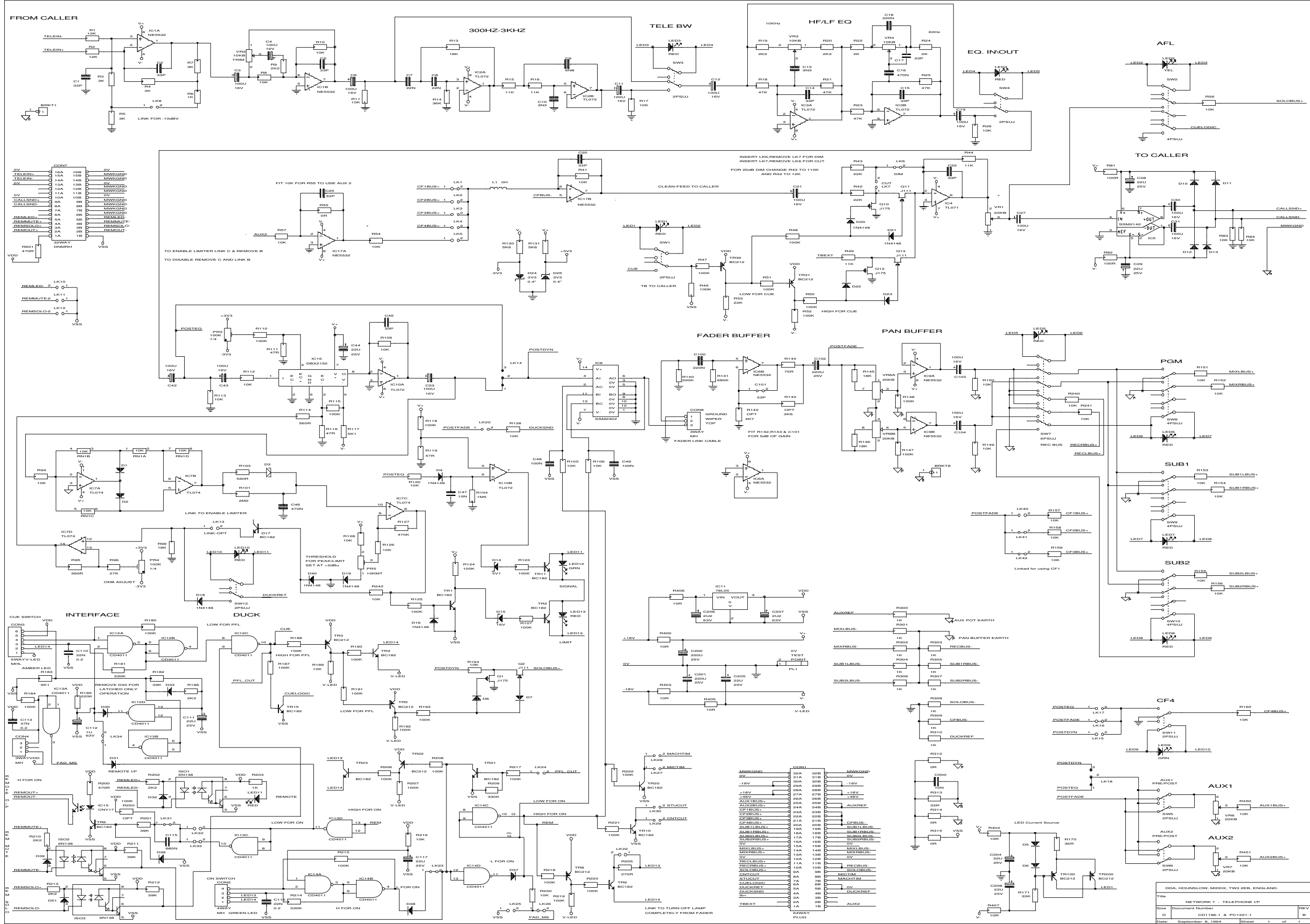


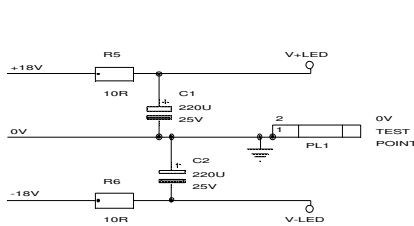
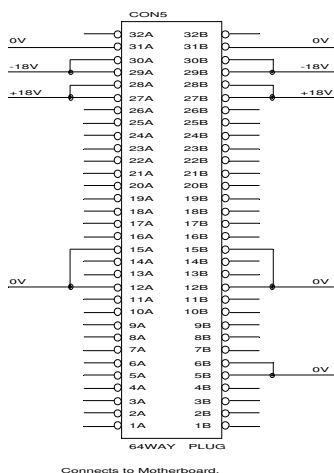
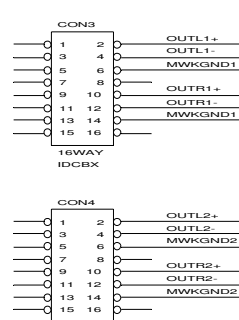
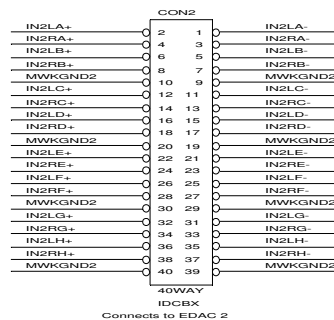
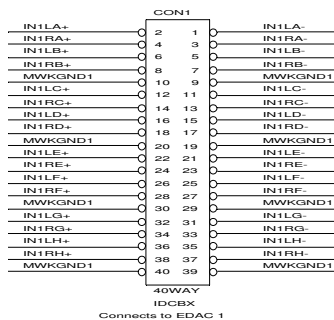
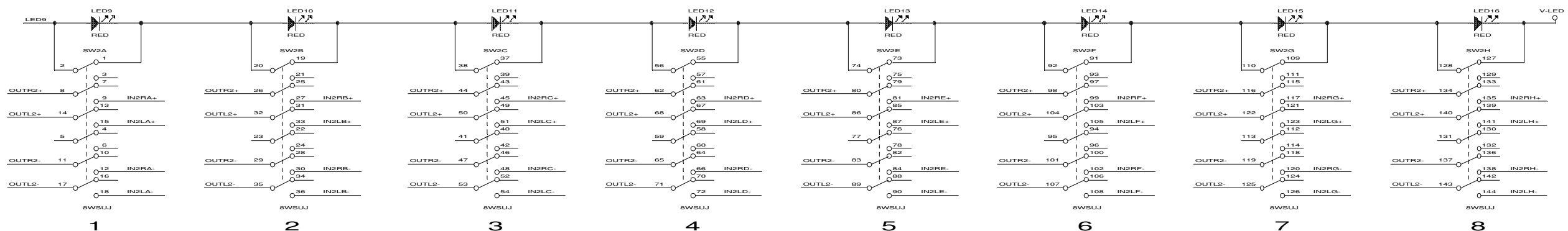
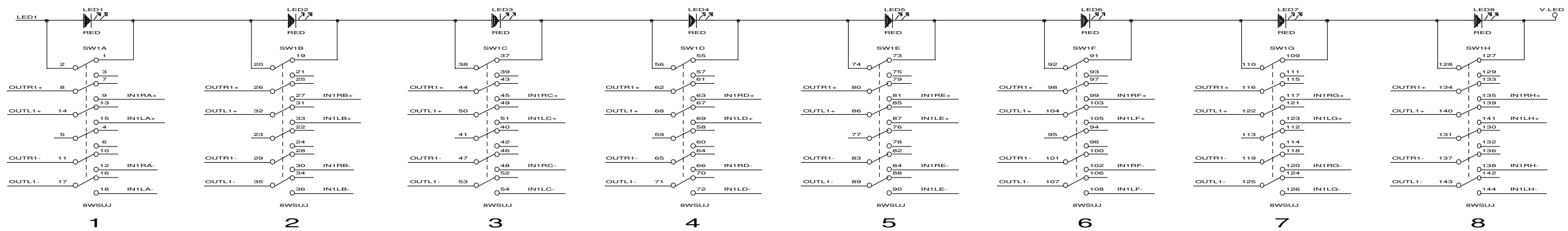
**CON1**

0V	16A	16B	0V	MWVCCND
SRCEA-	15A	15B	0V	MWVCCND
SRCEA+	14A	14B	0V	MWVCCND
SRCEB-	13A	13B	0V	MWVCCND
SRCEB+	12A	12B	0V	MWVCCND
INSND-	11A	11B	0V	MWVCCND
INSND+	10A	10B	0V	MWVCCND
INSRET-	9A	9B	0V	MWVCCND
INSRET+	8A	8B	0V	MWVCCND
REMSOLO-	7A	7B	0V	MWVCCND
REMSOLO+	6A	6B	0V	MWVCCND
REMSOLO	5A	5B	0V	MWVCCND
REMSOLO	4A	4B	0V	MWVCCND
REMSOLO	3A	3B	0V	MWVCCND
REMSOLO	2A	2B	0V	MWVCCND
REMSOLO	1A	1B	0V	MWVCCND

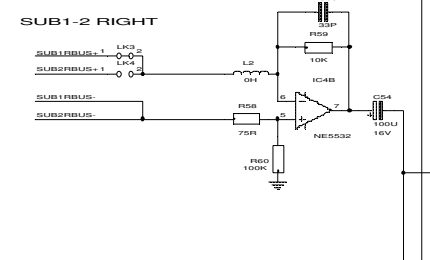
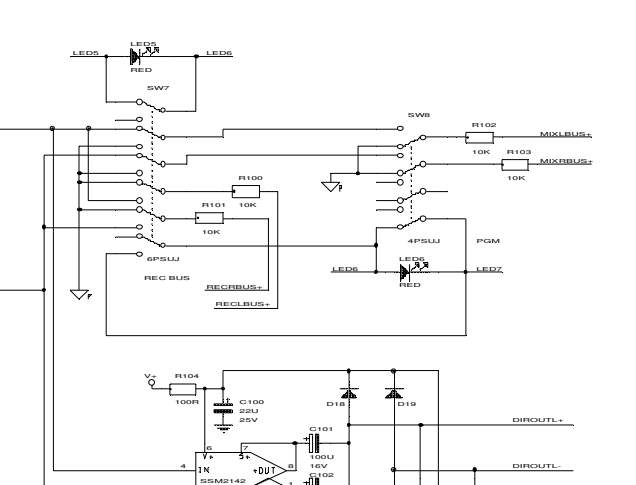
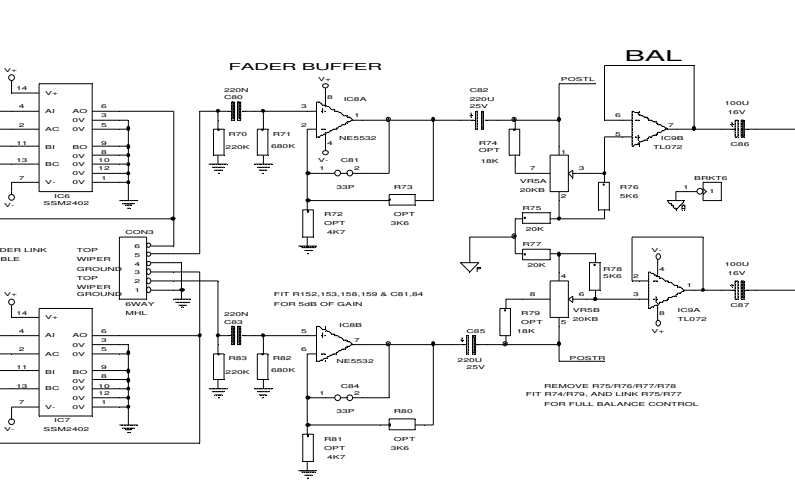
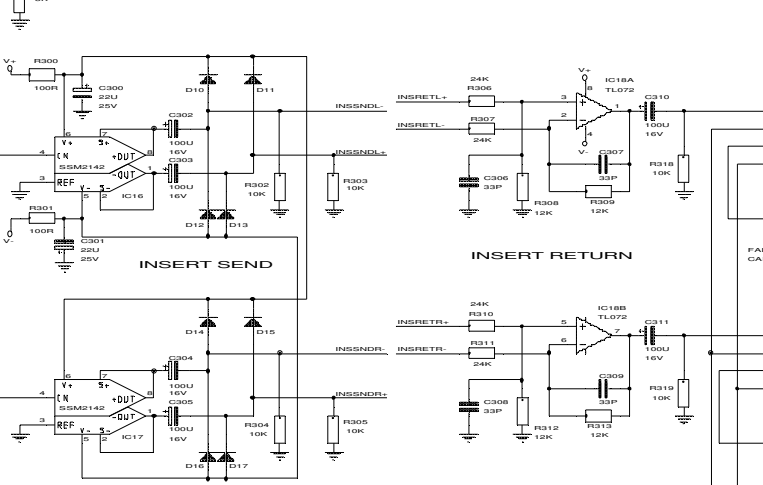
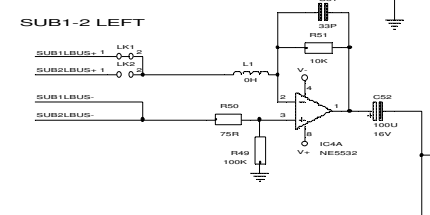
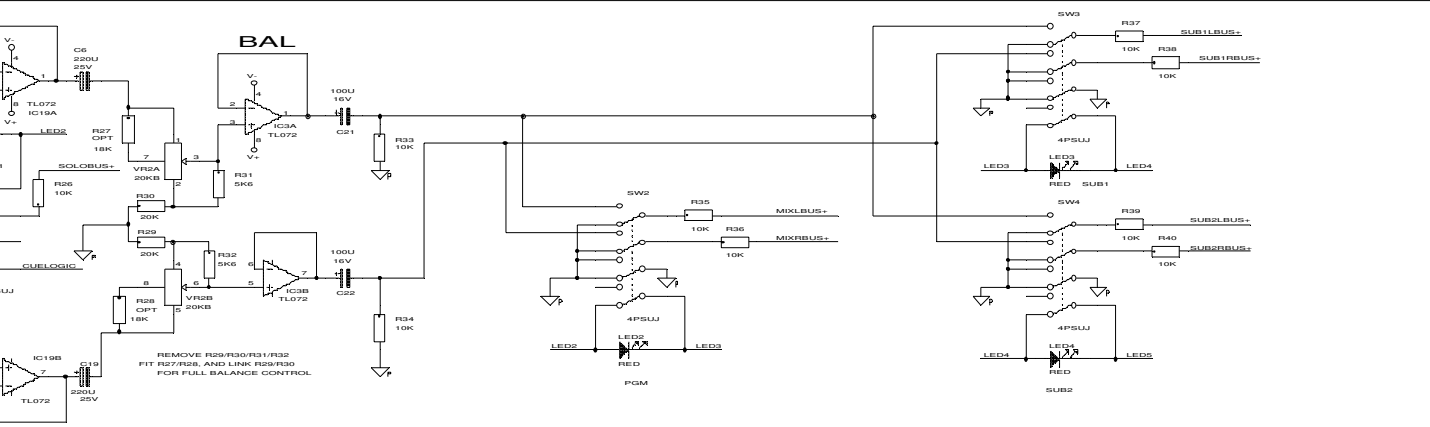
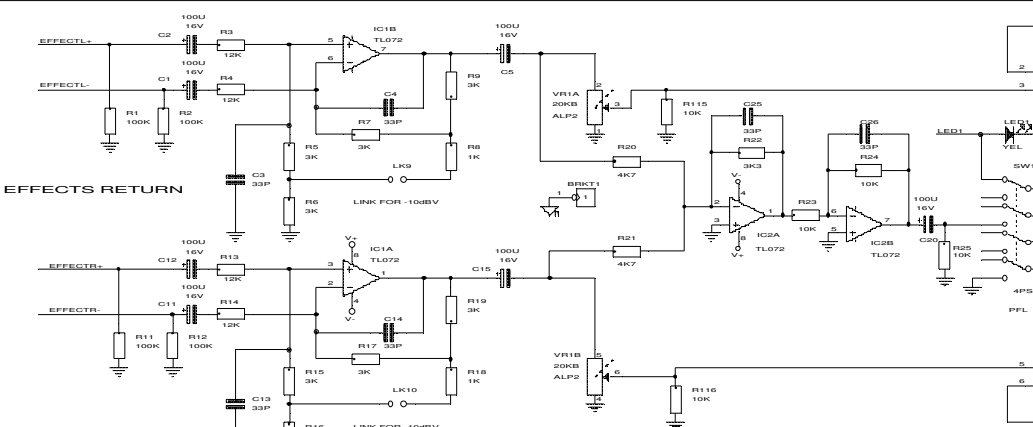


DDA		
Title	NETWORK 7 - STANDARD STEREO INPUT	
Size	Customer Number	
Drawn	CD1195-1 & FC1320-1	REV B
Date	September 1, 1994	Sheet 1 of 1

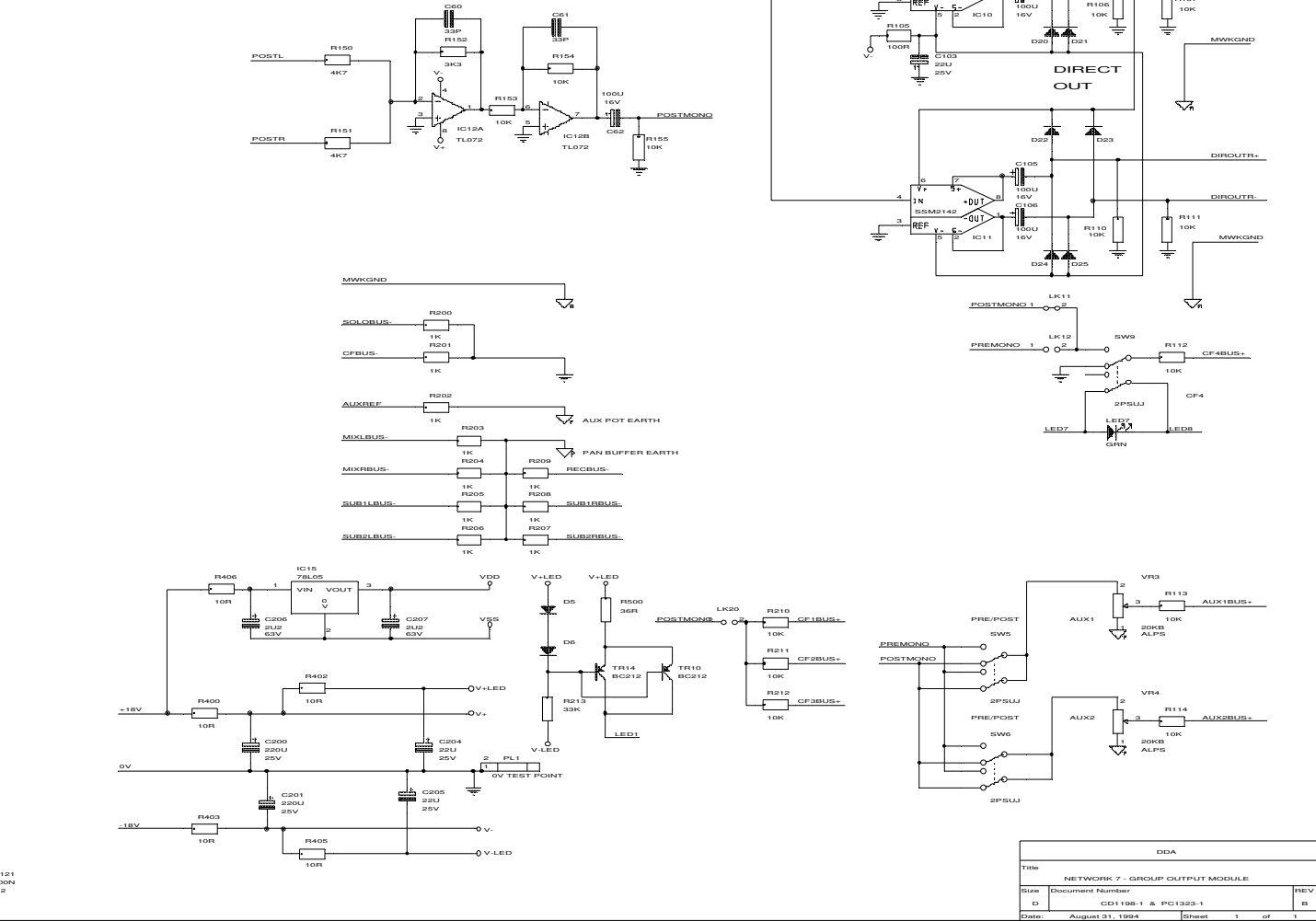
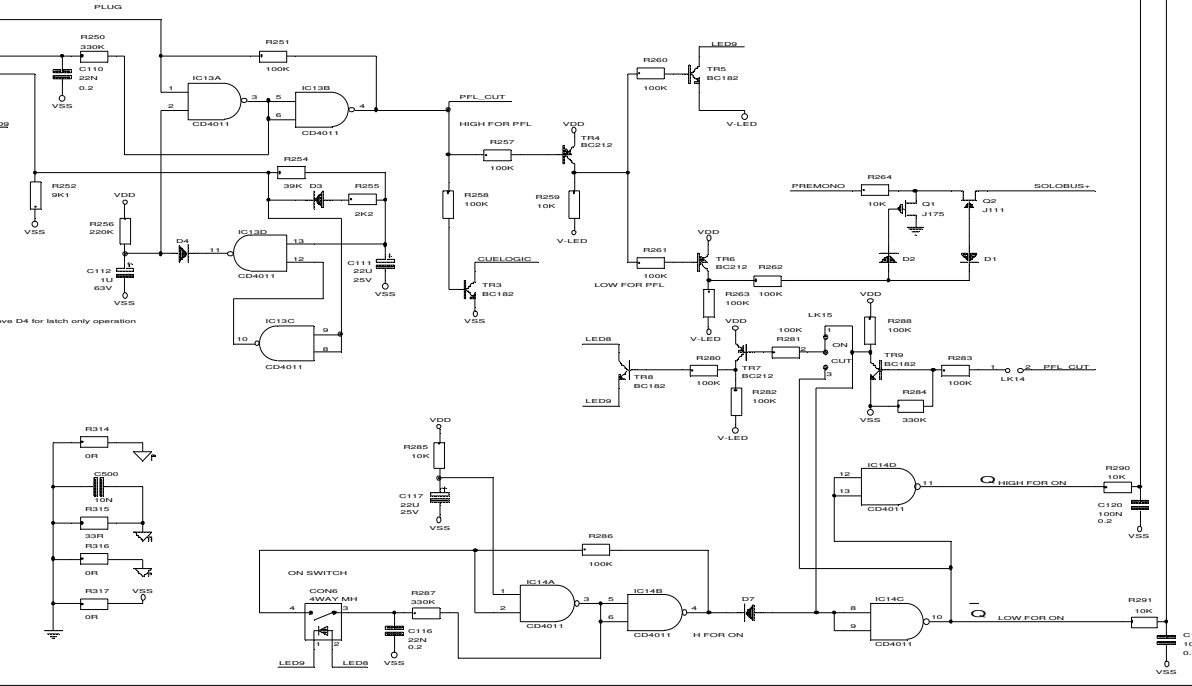




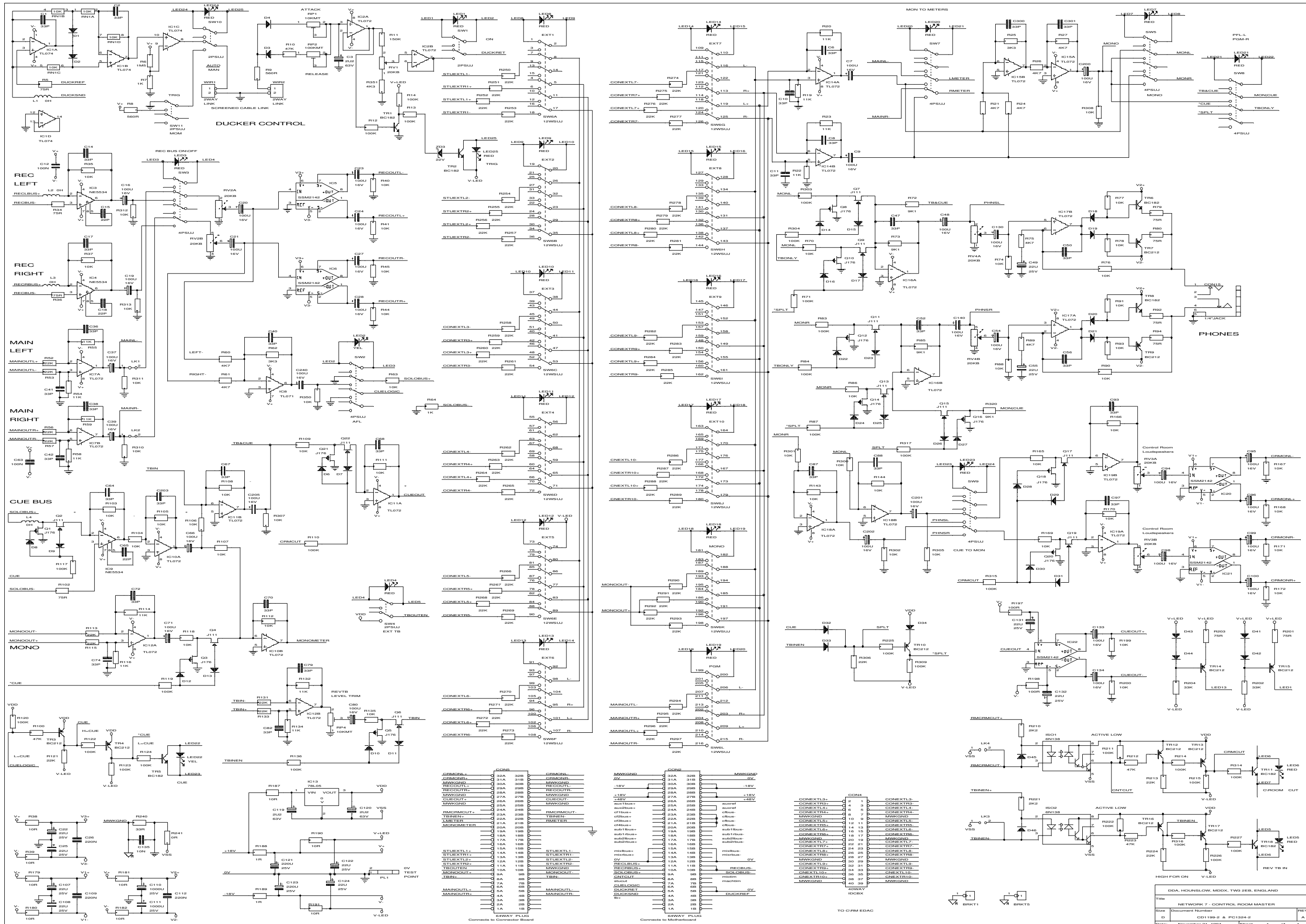
CON7	CON7
EFFECTL- 16A 16B	OV
EFFECTL- 16A 16B	MWKGND
EFFECTL- 14A 14B	MWKGND
EFFECTL- 12A 12B	MWKGND
OV	OV
DIRCUTL- 16A 16B	MWKGND
DIRCUTL- 14A 14B	MWKGND
DIRCUTL- 12A 12B	MWKGND
OV	OV
INSNDL- 16A 16B	MWKGND
INSNDL- 14A 14B	MWKGND
INSNDL- 12A 12B	MWKGND
OV	OV
SUB1BUS- 16A 16B	MWKGND
SUB1BUS- 14A 14B	MWKGND
SUB1BUS- 12A 12B	MWKGND
OV	OV
5WAY	5WAY
DMRH	DMRH

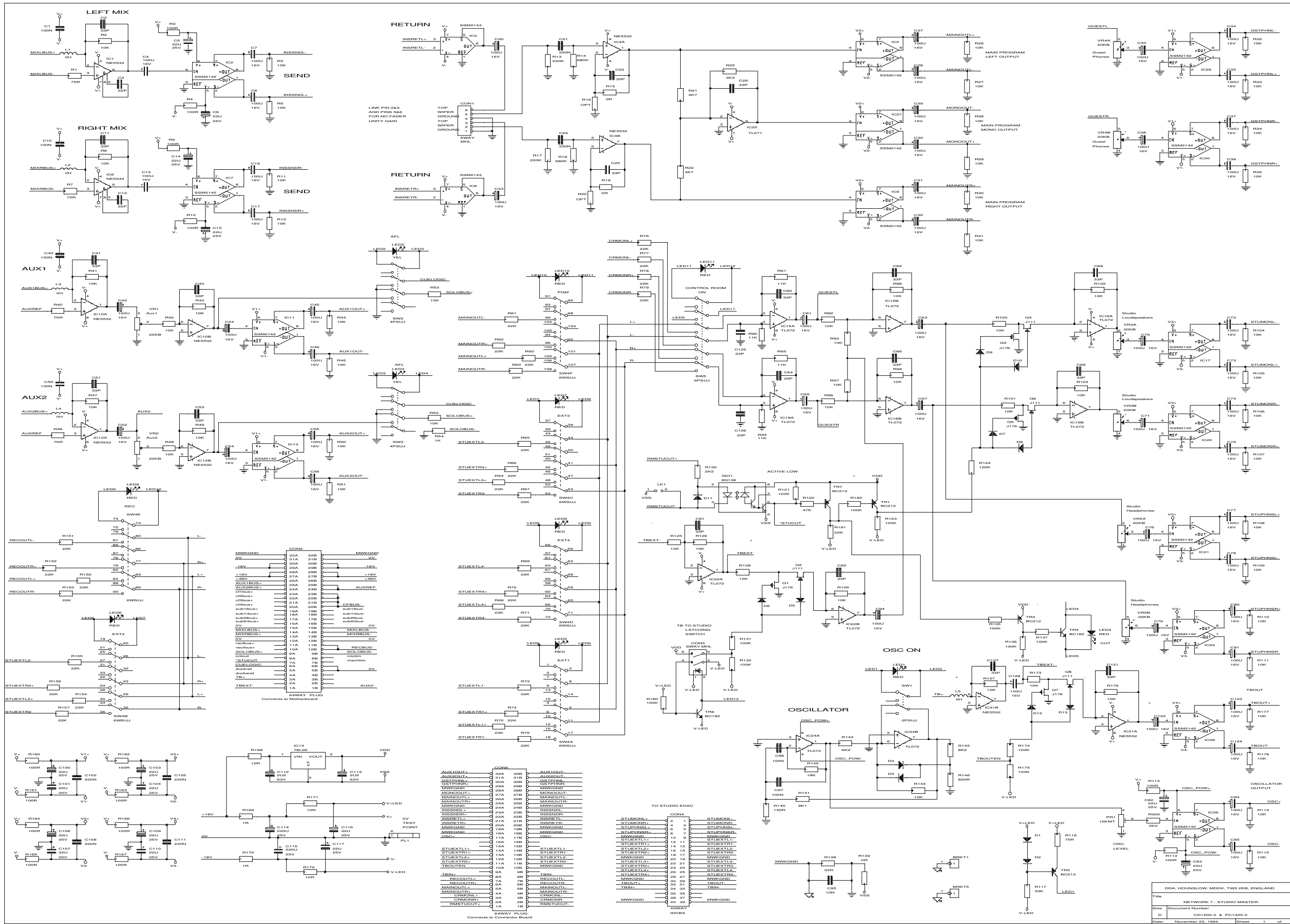


CON1	CON1
MWKGND 30A 30B	MWKGND
OV 30A 30B	OV
-18V 30A 30B	-18V
OV 30A 30B	OV
AUX1BUS+ 30A 30B	AUXREF
OV 30A 30B	OV
CFBUS+ 30A 30B	CFBUS
OV 30A 30B	OV
SUB1BUS+ 30A 30B	SUB1BUS
OV 30A 30B	OV
SUB2BUS+ 30A 30B	SUB2BUS
OV 30A 30B	OV
MIXLBUS+ 30A 30B	MIXLBUS
OV 30A 30B	OV
MIXRBUS+ 30A 30B	MIXRBUS
OV 30A 30B	OV
REC1BUS+ 30A 30B	REC1BUS
OV 30A 30B	OV
REC2BUS+ 30A 30B	REC2BUS
OV 30A 30B	OV
5WAY	5WAY
DMRH	DMRH



DDA		
Title	NETWORK 7 - GROUP OUTPUT MODULE	
Size	Document Number	REV
D	CD1198-1 & PC1323-1	B
Date	August 31, 1994	Sheet 1 of 1





**6-WAY PLUGS**  
Connects to Motherboard

CONP2	32A	32B	MAINP2P
CONP2	31A	31B	OV
CONP2	30A	30B	-18V
CONP2	29A	29B	-18V
CONP2	28A	28B	-18V
CONP2	27A	27B	-18V
CONP2	26A	26B	ALX1BUS+
CONP2	25A	25B	ALX1BUS-
CONP2	24A	24B	ALX2REF
CONP2	23A	23B	OV
CONP2	22A	22B	OV
CONP2	21A	21B	OV
CONP2	20A	20B	OV
CONP2	19A	19B	OV
CONP2	18A	18B	OV
CONP2	17A	17B	OV
CONP2	16A	16B	OV
CONP2	15A	15B	OV
CONP2	14A	14B	OV
CONP2	13A	13B	OV
CONP2	12A	12B	OV
CONP2	11A	11B	OV
CONP2	10A	10B	OV
CONP2	9A	9B	OV
CONP2	8A	8B	OV
CONP2	7A	7B	OV
CONP2	6A	6B	OV
CONP2	5A	5B	OV
CONP2	4A	4B	OV
CONP2	3A	3B	OV
CONP2	2A	2B	OV
CONP2	1A	1B	OV

**6-WAY PLUG**  
Connects to Connector Board

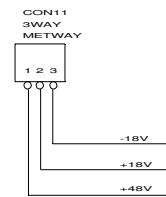
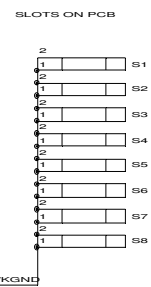
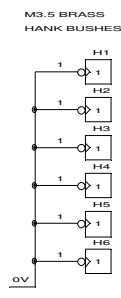
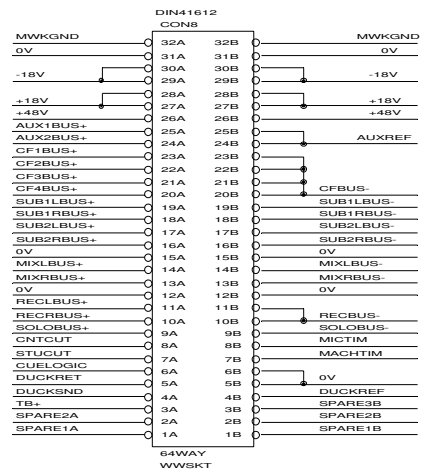
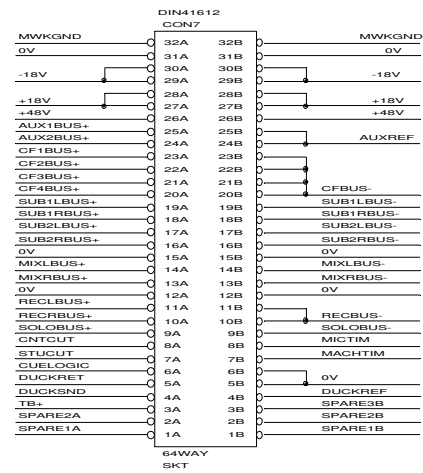
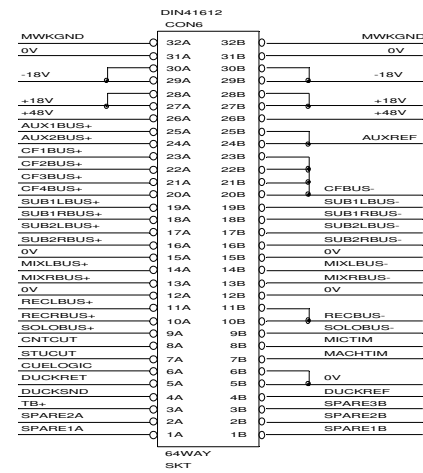
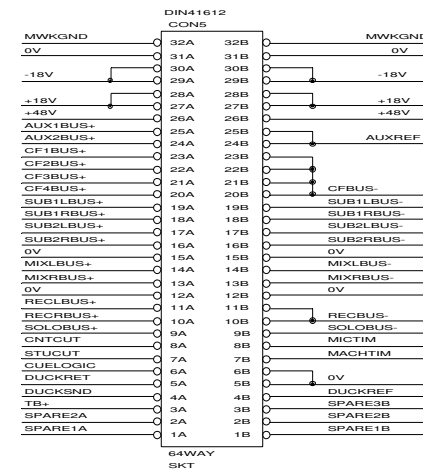
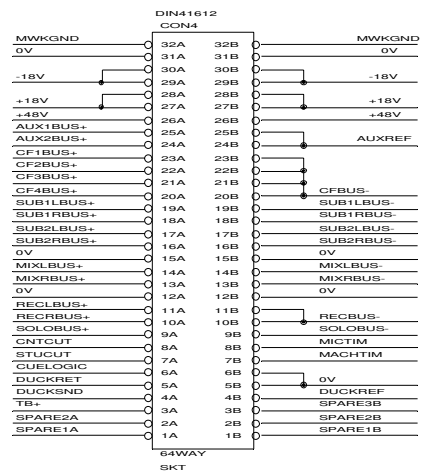
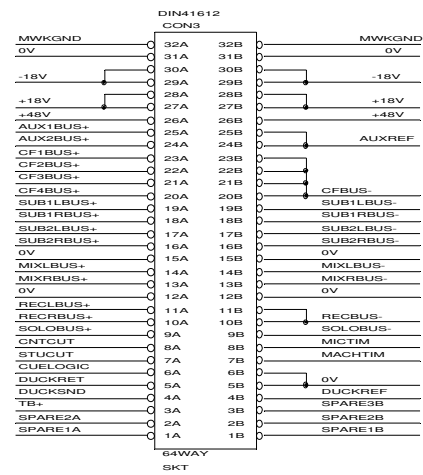
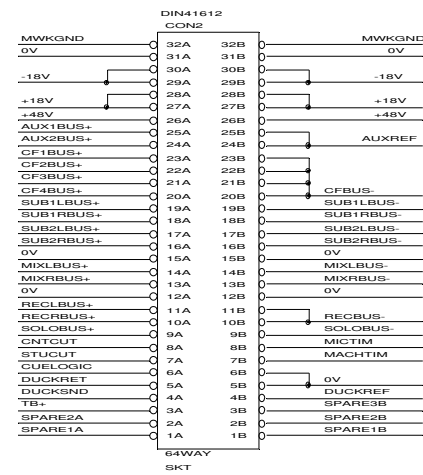
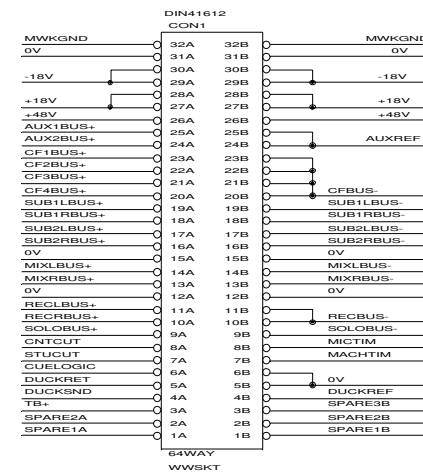
CONP2	32A	32B	ALX1OUT
CONP2	31A	31B	ALX2OUT
CONP2	30A	30B	OV
CONP2	29A	29B	OV
CONP2	28A	28B	OV
CONP2	27A	27B	OV
CONP2	26A	26B	OV
CONP2	25A	25B	OV
CONP2	24A	24B	OV
CONP2	23A	23B	OV
CONP2	22A	22B	OV
CONP2	21A	21B	OV
CONP2	20A	20B	OV
CONP2	19A	19B	OV
CONP2	18A	18B	OV
CONP2	17A	17B	OV
CONP2	16A	16B	OV
CONP2	15A	15B	OV
CONP2	14A	14B	OV
CONP2	13A	13B	OV
CONP2	12A	12B	OV
CONP2	11A	11B	OV
CONP2	10A	10B	OV
CONP2	9A	9B	OV
CONP2	8A	8B	OV
CONP2	7A	7B	OV
CONP2	6A	6B	OV
CONP2	5A	5B	OV
CONP2	4A	4B	OV
CONP2	3A	3B	OV
CONP2	2A	2B	OV
CONP2	1A	1B	OV

**40-PIN D**  
IDCBX

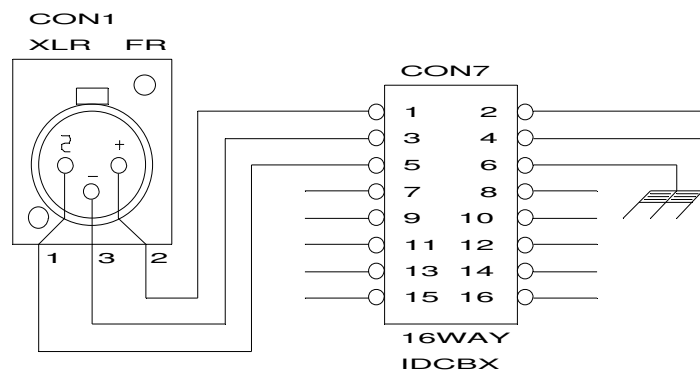
CONP4	1	STUMONL
CONP4	2	STUMONR
CONP4	3	STUMONL
CONP4	4	STUMONR
CONP4	5	STUMONL
CONP4	6	STUMONR
CONP4	7	STUMONL
CONP4	8	STUMONR
CONP4	9	STUMONL
CONP4	10	STUMONR
CONP4	11	STUMONL
CONP4	12	STUMONR
CONP4	13	STUMONL
CONP4	14	STUMONR
CONP4	15	STUMONL
CONP4	16	STUMONR
CONP4	17	STUMONL
CONP4	18	STUMONR
CONP4	19	STUMONL
CONP4	20	STUMONR
CONP4	21	STUMONL
CONP4	22	STUMONR
CONP4	23	STUMONL
CONP4	24	STUMONR
CONP4	25	STUMONL
CONP4	26	STUMONR
CONP4	27	STUMONL
CONP4	28	STUMONR
CONP4	29	STUMONL
CONP4	30	STUMONR
CONP4	31	STUMONL
CONP4	32	STUMONR
CONP4	33	STUMONL
CONP4	34	STUMONR
CONP4	35	STUMONL
CONP4	36	STUMONR
CONP4	37	STUMONL
CONP4	38	STUMONR
CONP4	39	STUMONL
CONP4	40	STUMONR



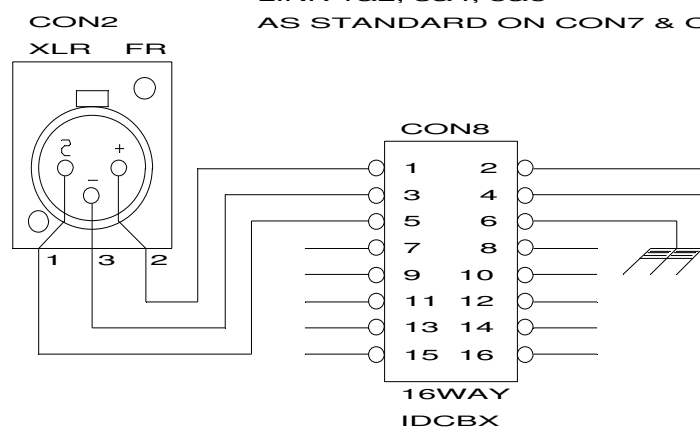
# NETWORK 7 - MOTHERBOARD - 8 CHANNEL.



MIC INPUT  
SOURCE A

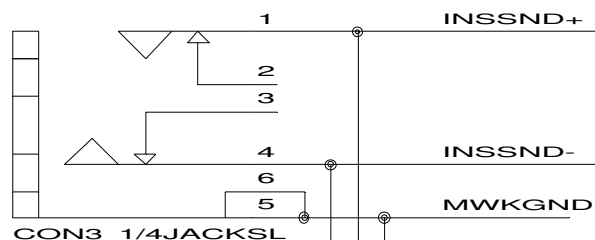


MIC INPUT  
SOURCE B

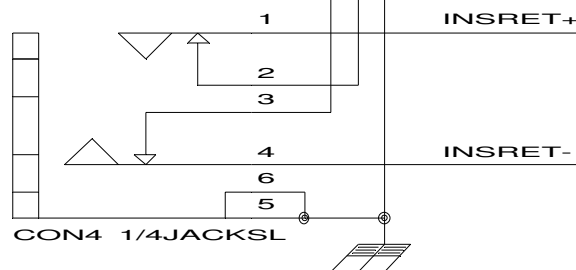


LINK 1&2, 3&4, 5&6  
AS STANDARD ON CON7 & CON8

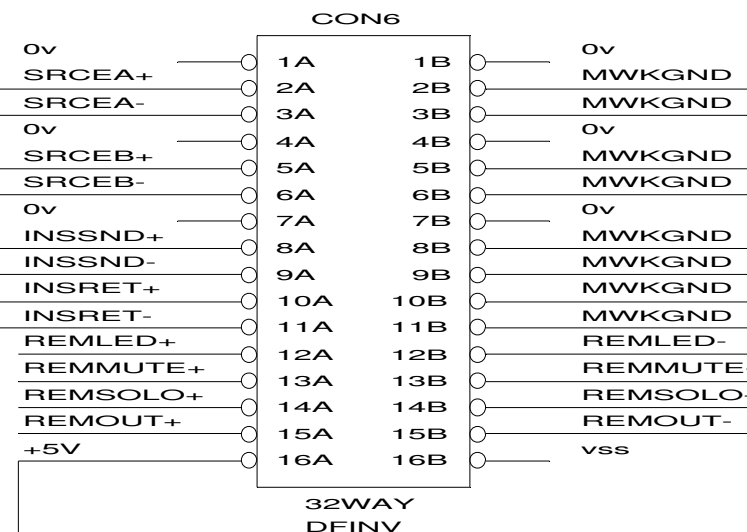
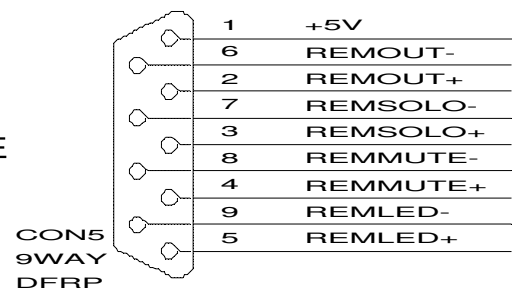
INSERT  
SEND



INSERT  
RETURN



REMOTE



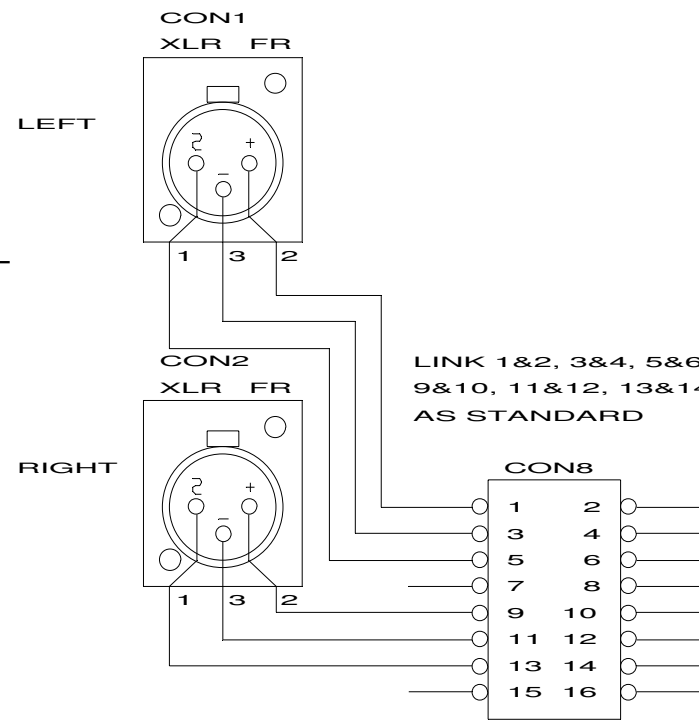
NOTE:  
CON6 is an INVERTED format socket connector.  
Pins 1-16 are reversed relative to CON7 on  
the MONO INPUT MODULE (CD1194)

DDA, HOUNSLOW, MIDDX. TW3 3EB. ENGLAND.

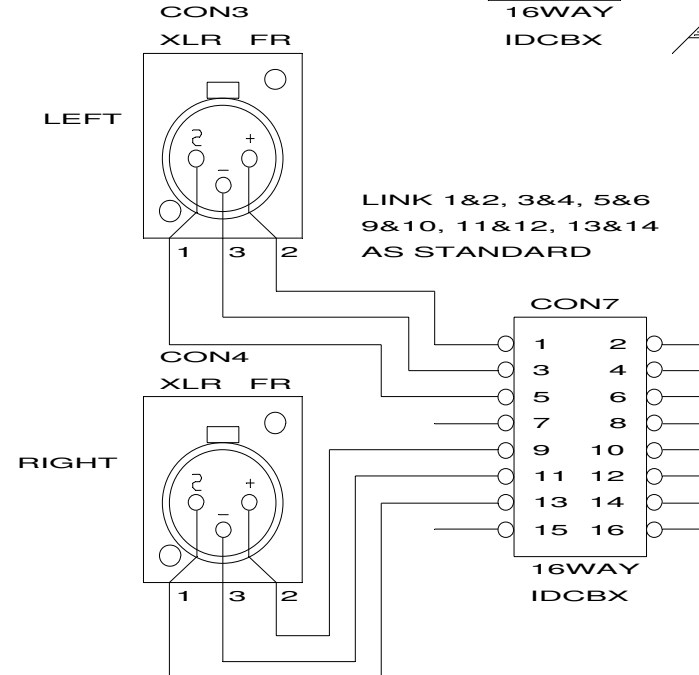
TEL:(081)570 7161 FAX:(081)577 3677

Title		
NETWORK 7 - CONNECTOR PCB - MONO		
Size	Document Number	REV
A	CD1220-1 & PC1341-1	A
Date:	May 18, 1994	Sheet 1 of 1

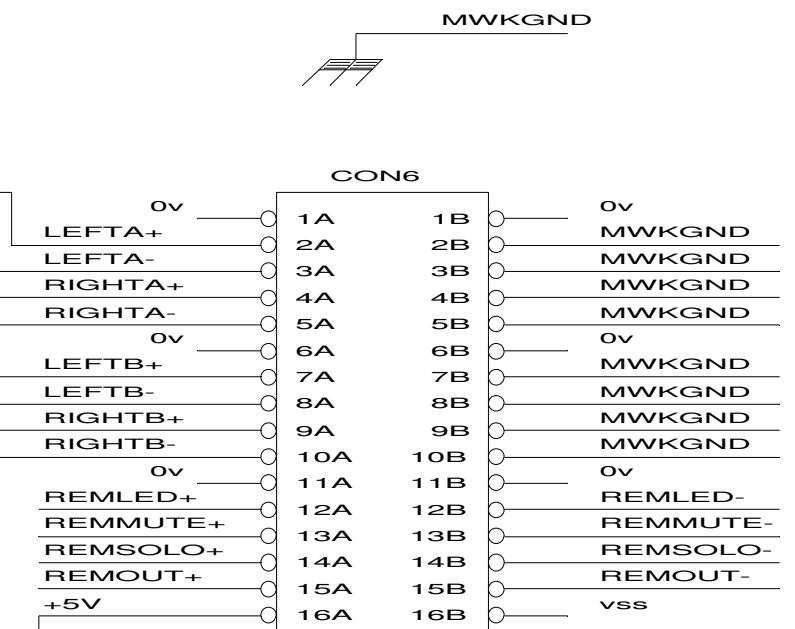
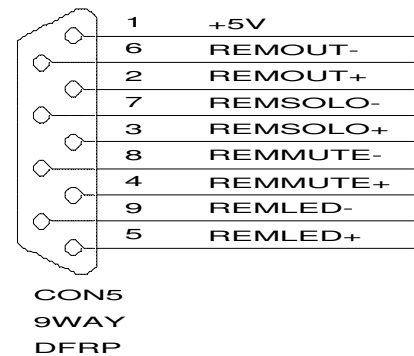
**LINE INPUT  
SOURCE A**



**LINE INPUT  
SOURCE B**

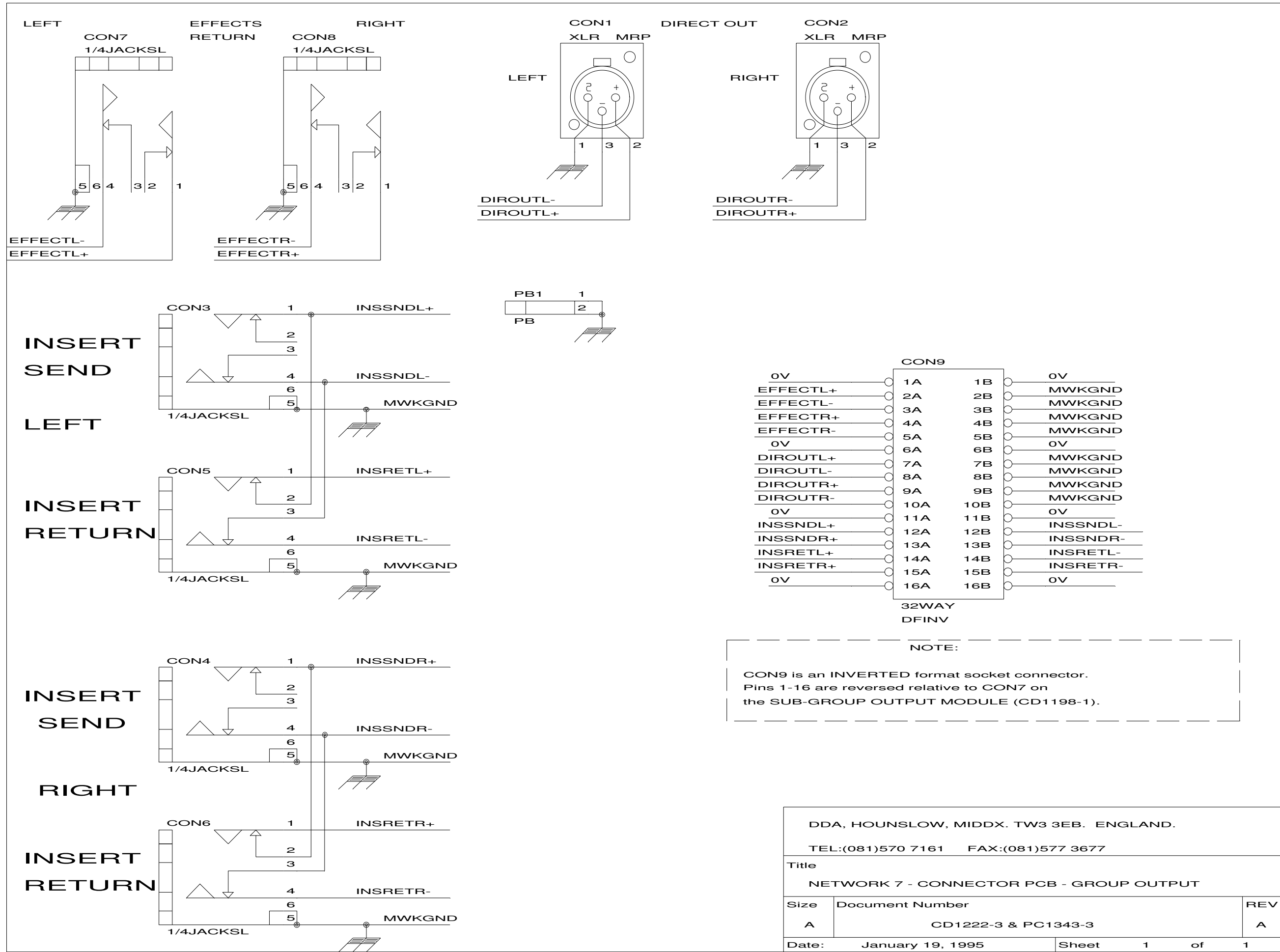


**REMOTE**



**NOTE:**  
CON6 is an INVERTED format socket connector.  
Pins 1-16 are reversed relative to CON7 on  
the STEREO INPUT MODULE (CD1195-1).

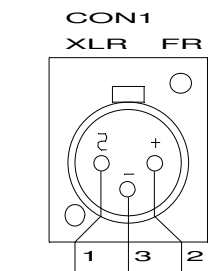
DDA, HOUNSLOW, MIDDX. TW3 3EB. ENGLAND.		
TEL:(081)570 7161 FAX:(081)577 3677		
Title NETWORK 7 - CONNECTOR PCB - STEREO		
Size A	Document Number CD1221-1 & PC1342-1	REV A
Date: June 29, 1994	Sheet 1	of 1



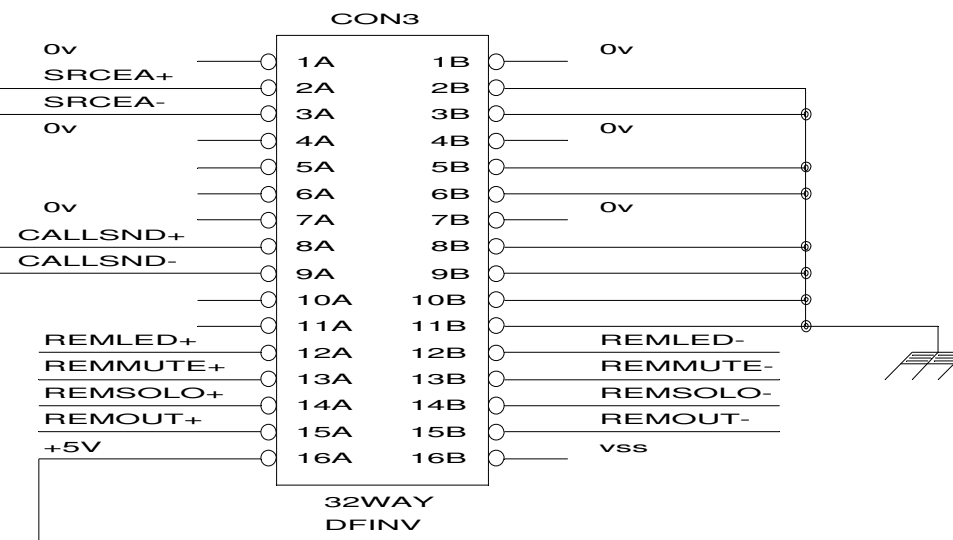
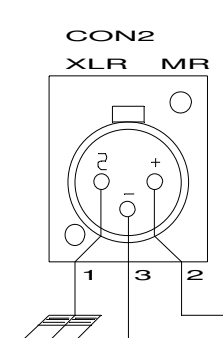
**NOTE:**  
 CON9 is an INVERTED format socket connector.  
 Pins 1-16 are reversed relative to CON7 on  
 the SUB-GROUP OUTPUT MODULE (CD1198-1).

DDA, HOUNSLOW, MIDDX. TW3 3EB. ENGLAND.		
TEL:(081)570 7161 FAX:(081)577 3677		
Title NETWORK 7 - CONNECTOR PCB - GROUP OUTPUT		
Size A	Document Number CD1222-3 & PC1343-3	REV A
Date: January 19, 1995	Sheet 1	of 1

TELE INPUT

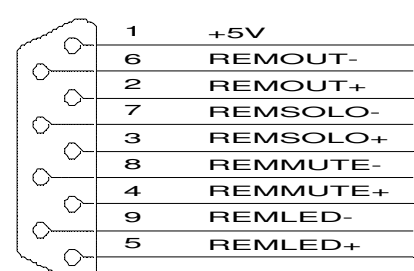


TELE SEND



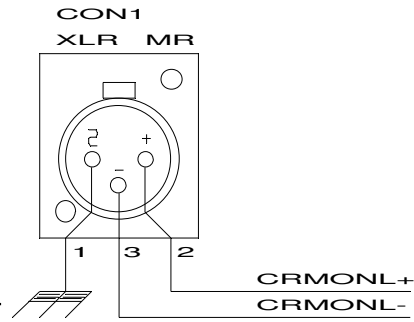
NOTE:  
 CON3 is an INVERTED format socket connector.  
 Pins 1-16 are reversed relative to CON7 on  
 the TELEPHONE INPUT MODULE (CD1196-1).

REMOTE

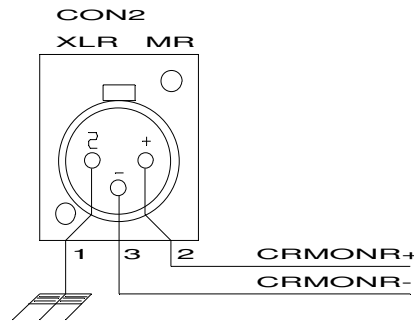


DDA, HOUNSLOW, MIDDX. TW3 3EB. ENGLAND.		
TEL:(081)570 7161 FAX:(081)577 3677		
Title NETWORK 7 - CONNECTOR PCB - TELEPHONE INPUT		
Size A	Document Number CD1223-1 & PC1344-1	REV A
Date: June 29, 1994	Sheet 1	of 1

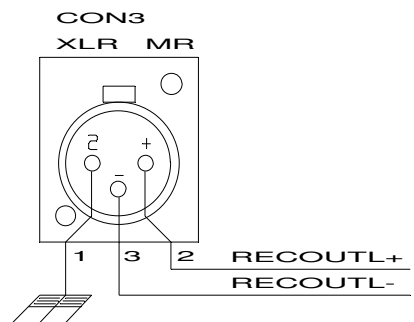
MONL



CONTROL ROOM

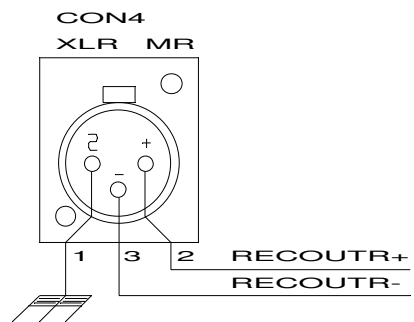


MONR

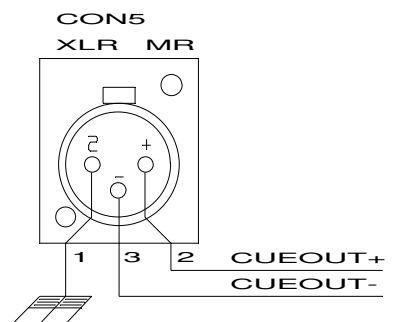


LEFT

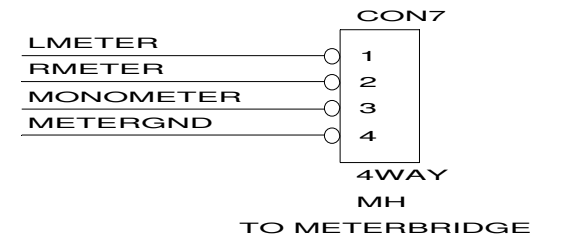
RECORD BUS



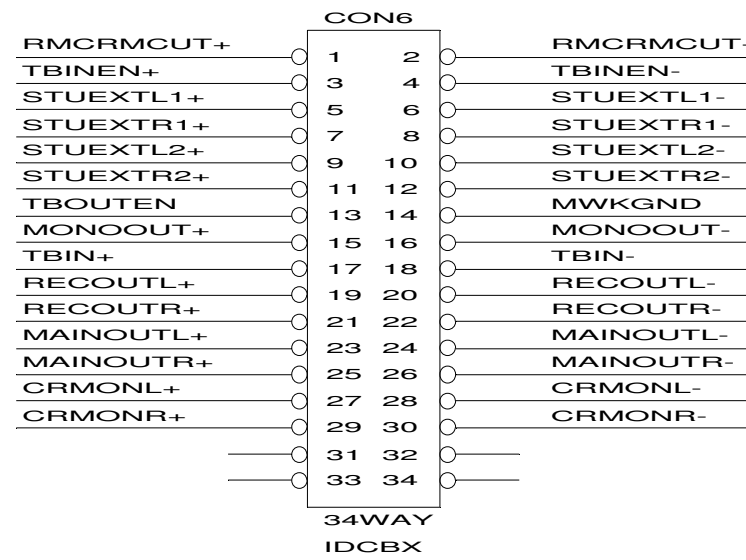
RIGHT



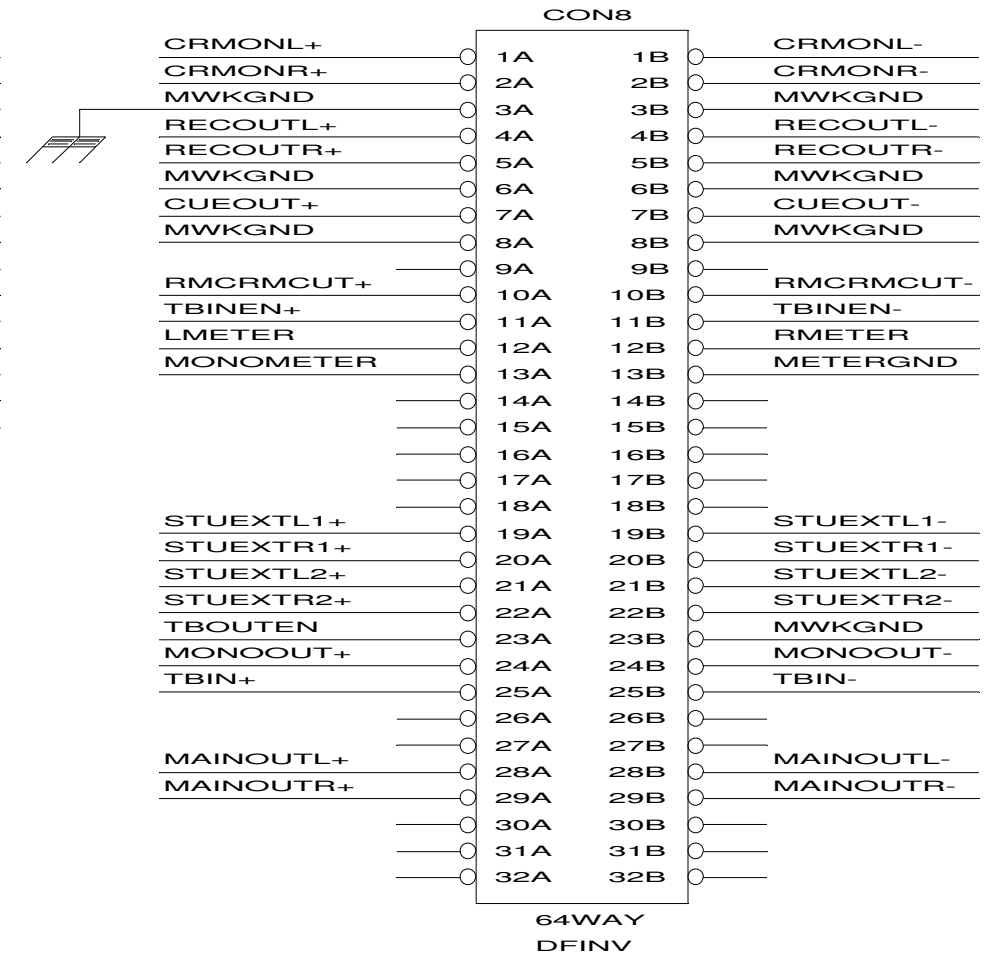
CUE



TO CONTROL ROOM MODULE



TO STUDIO CONNECTOR BOARD



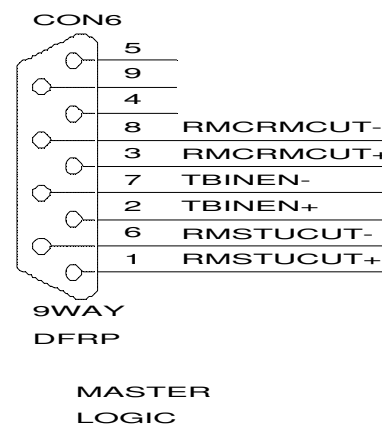
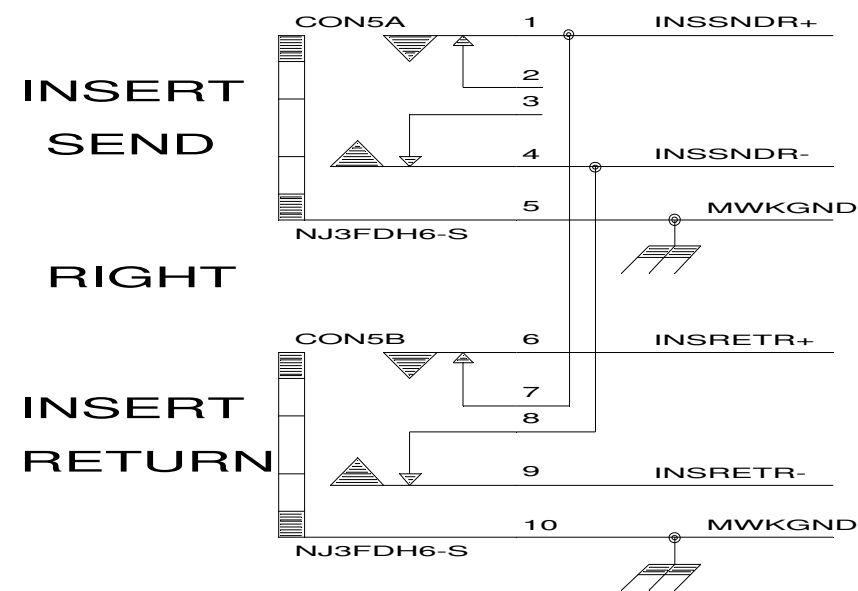
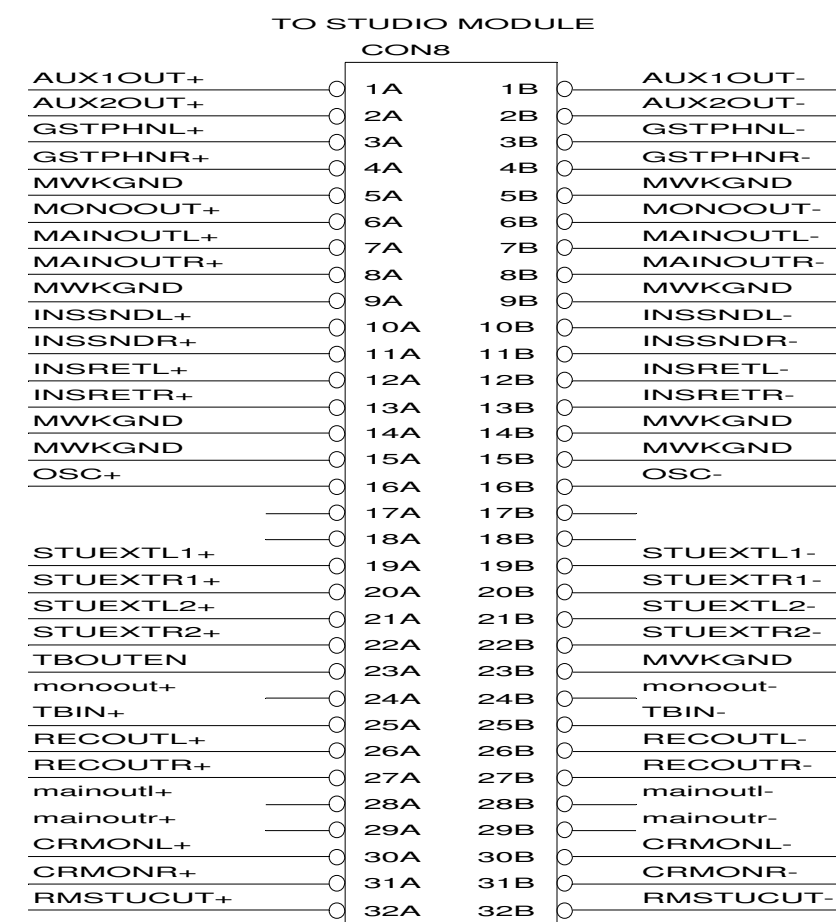
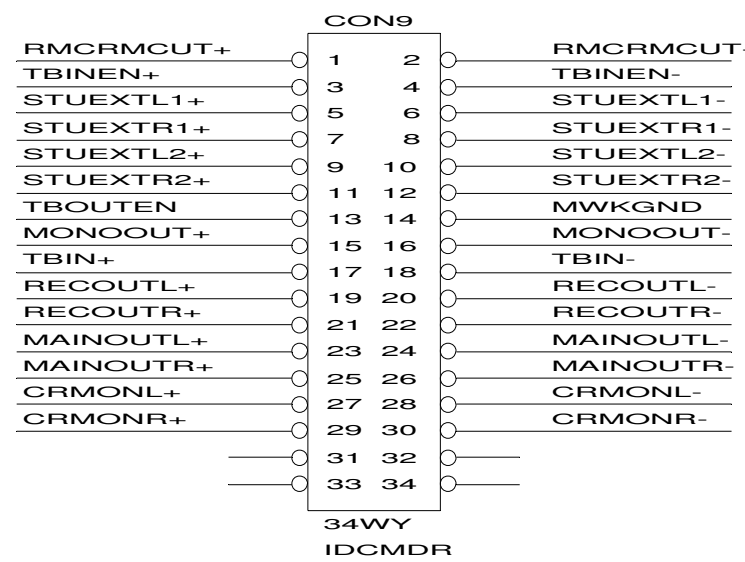
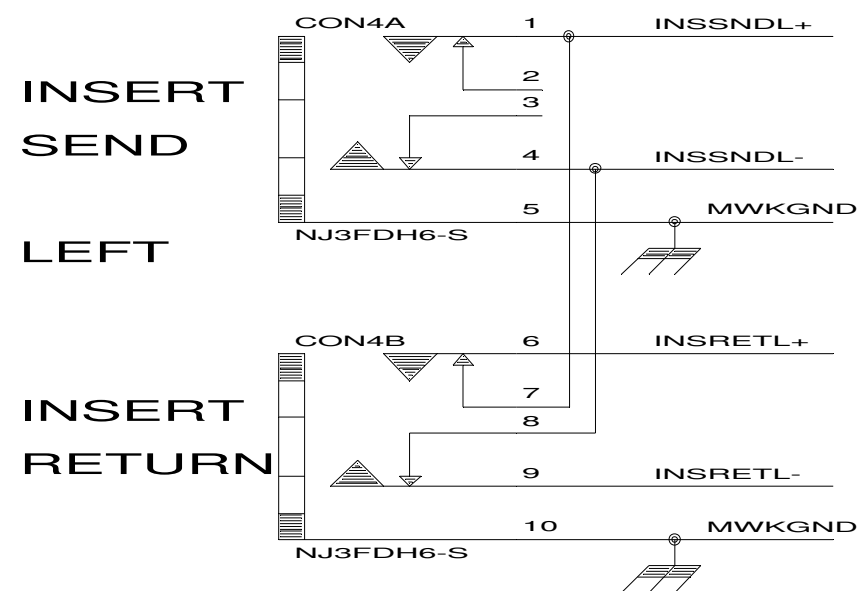
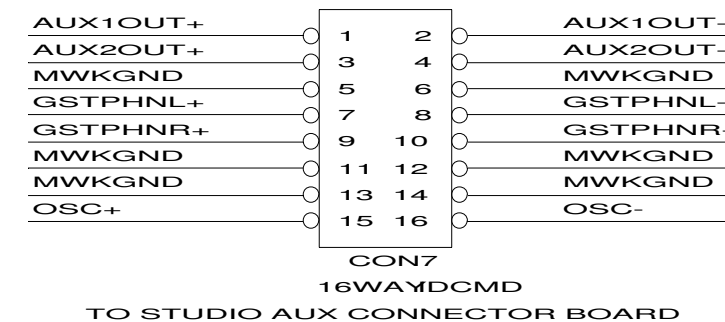
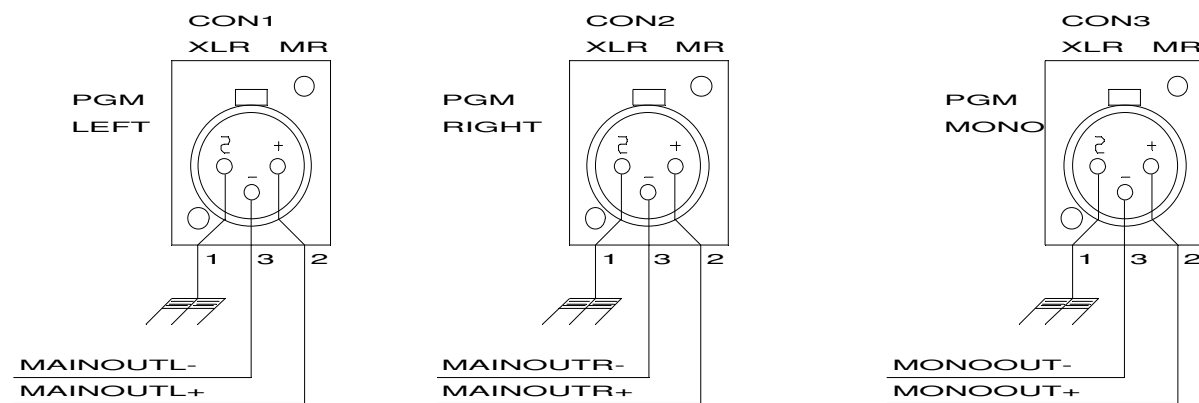
NOTE :- This is an INVERSE connector.

Pins 1 to 32 have been reversed relative to CON5 on CD1199-1.

DDA, HOUNSLOW, MIDDX. TW3 3EB. ENGLAND.

TEL:(081)570 7161 FAX:(081)577 3677

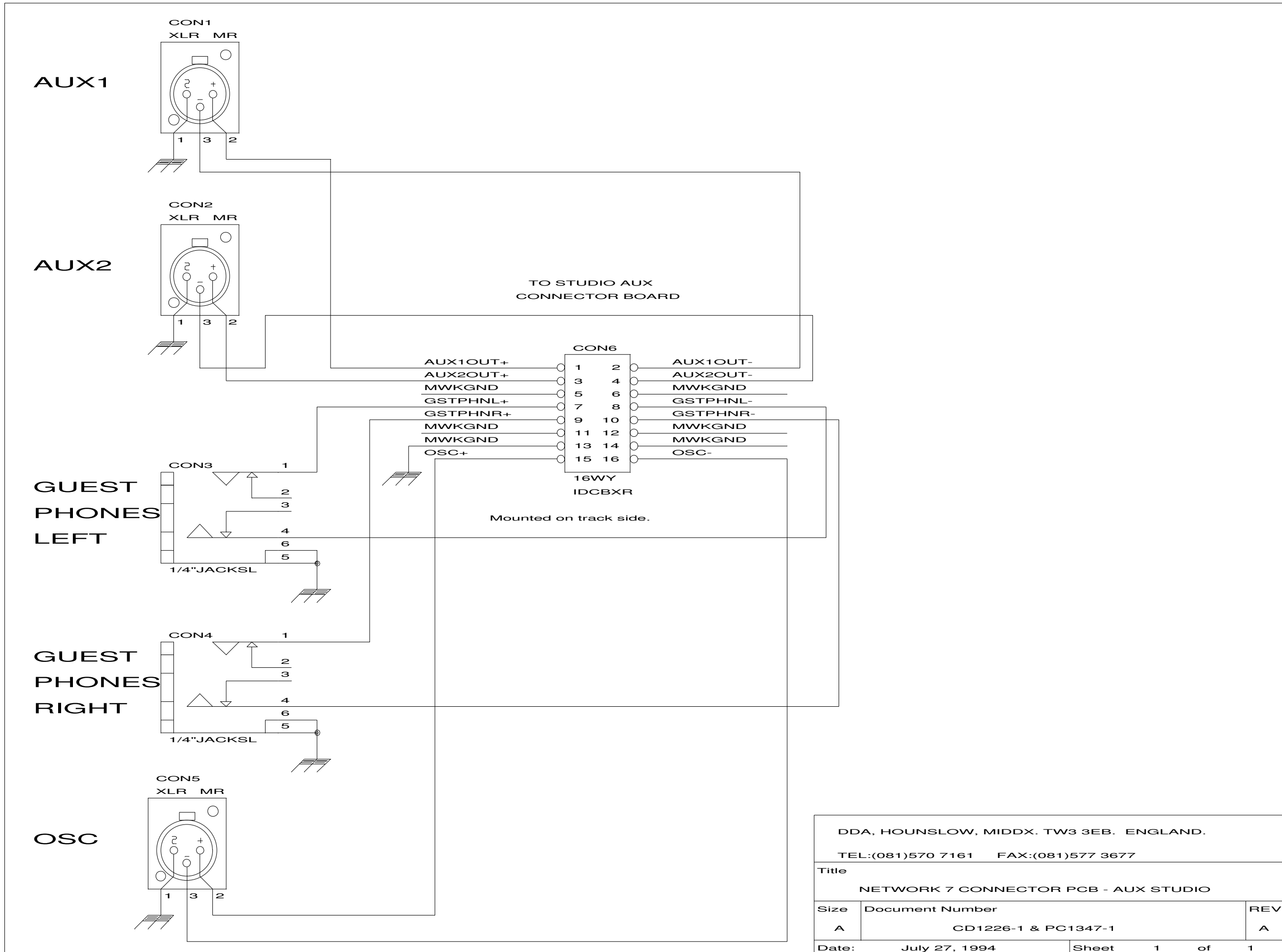
Title		
NETWORK 7 CONNECTOR PCB - CONTROL ROOM		
Size	Document Number	REV
A	CD1224-1 & PC1345-1	A
Date:	July 27, 1994	Sheet 1 of 1



NOTE :- This connector mounts on the track side.

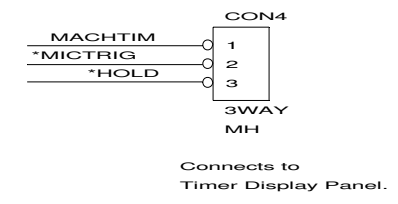
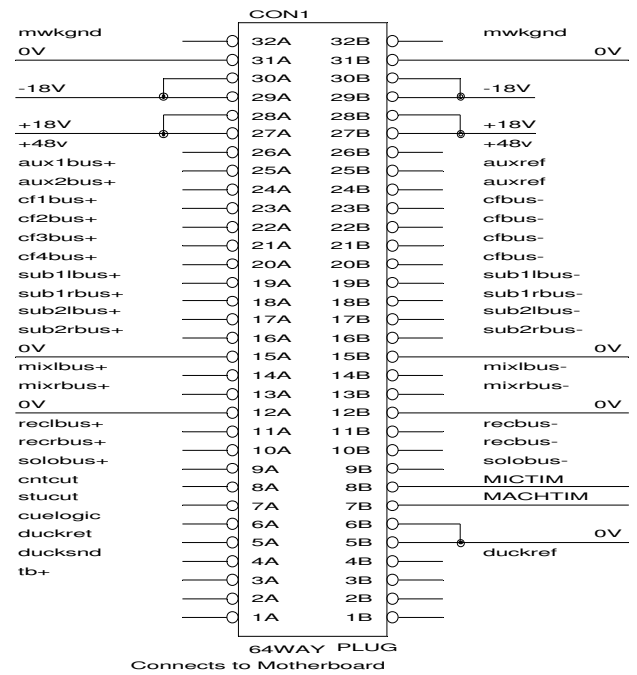
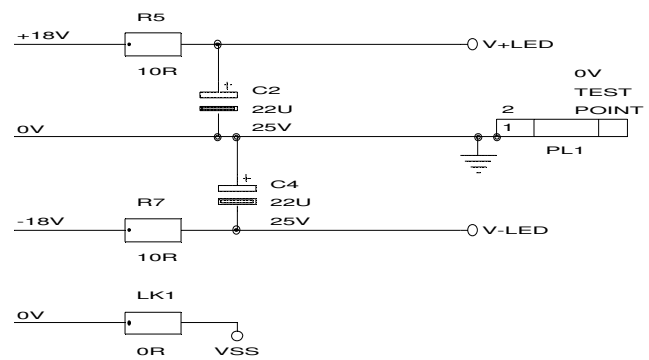
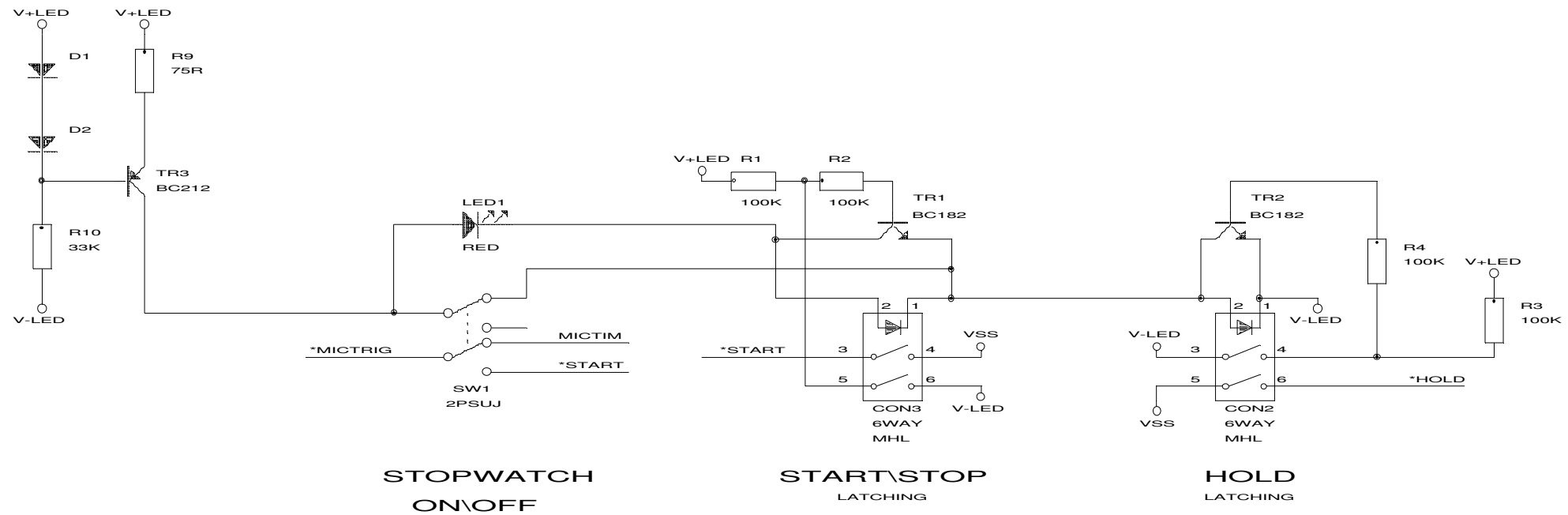
NOTE :- This is an INVERSE connector. Pins 1-32 have been reversed relative to CON5 on CD1200-1

DDA, HOUNSLOW, MIDDX. TW3 3EB. ENGLAND.		
TEL:(081)570 7161 FAX:(081)577 3677		
Title NETWORK 7 CONNECTOR PCB - MAIN STUDIO		
Size A	Document Number CD1225-1 & PC1346-1	REV A
Date: July 27, 1994	Sheet 1	of 1

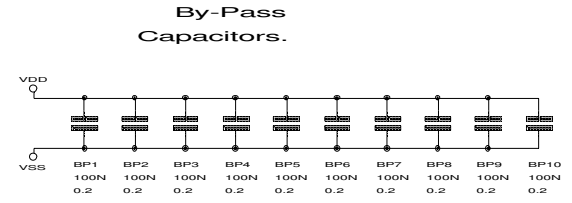
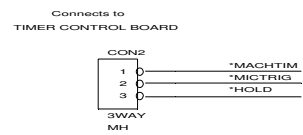
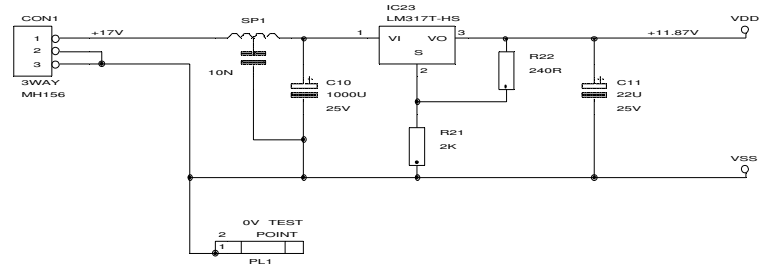
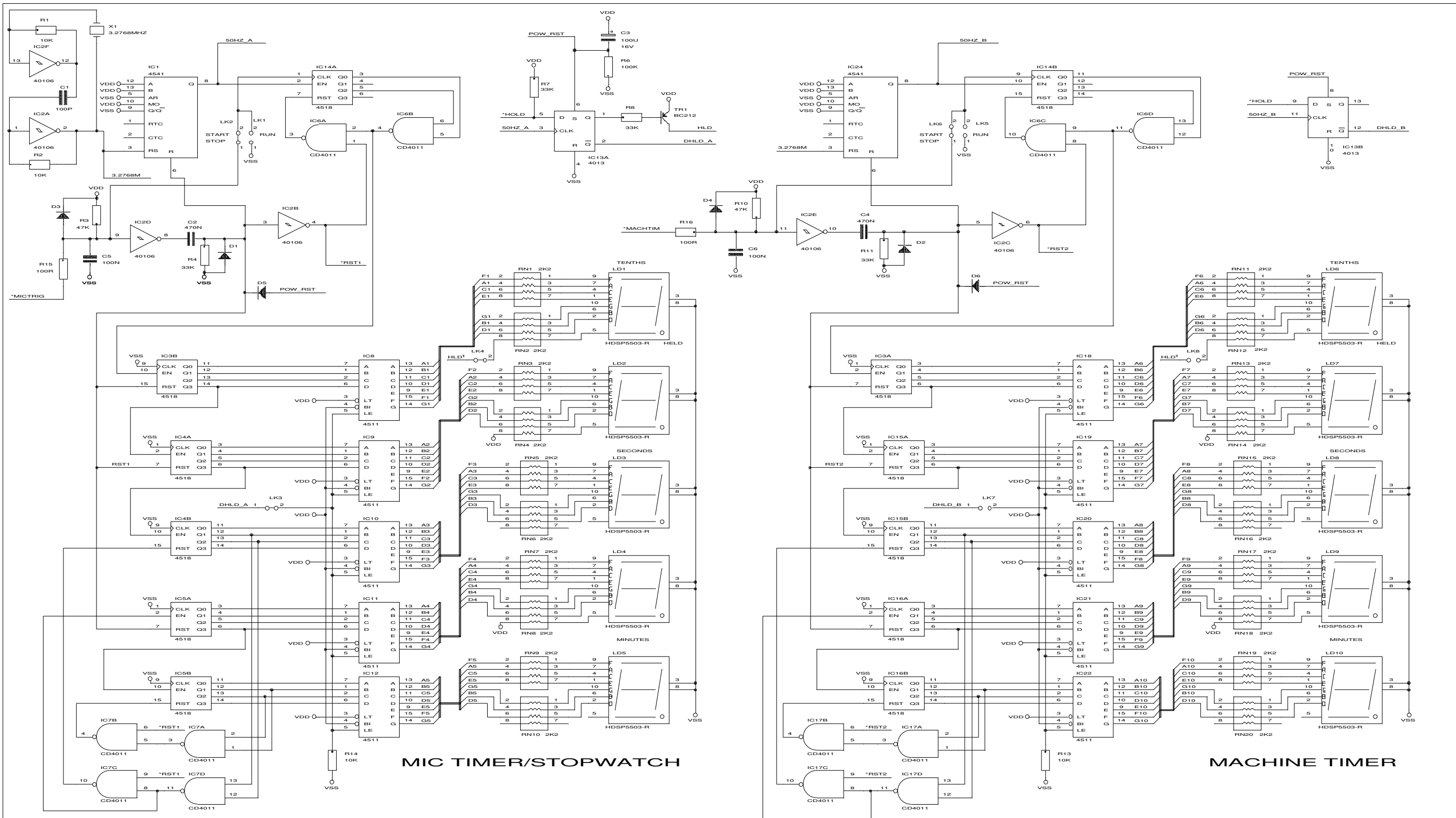


DDA, HOUNSLOW, MIDDX. TW3 3EB. ENGLAND.		
TEL:(081)570 7161 FAX:(081)577 3677		
Title NETWORK 7 CONNECTOR PCB - AUX STUDIO		
Size A	Document Number CD1226-1 & PC1347-1	REV A
Date: July 27, 1994	Sheet 1	of 1

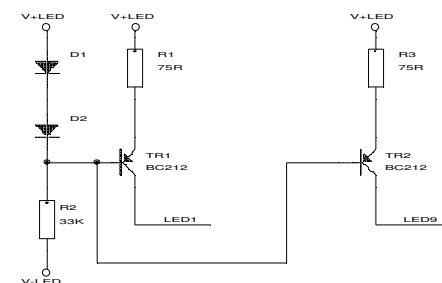
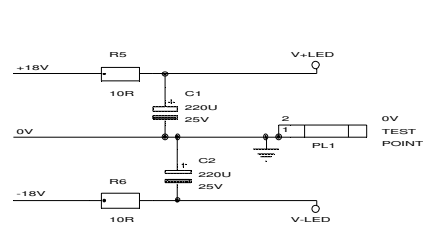
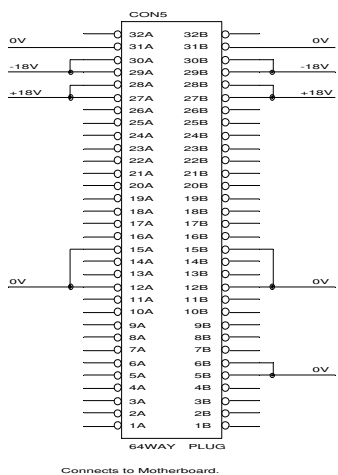
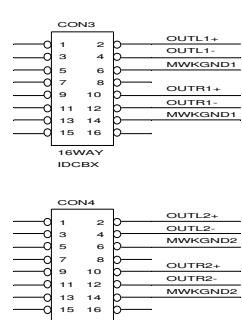
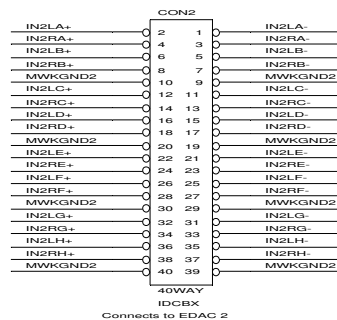
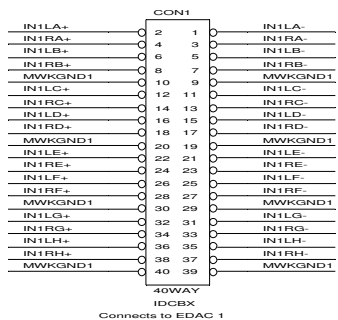
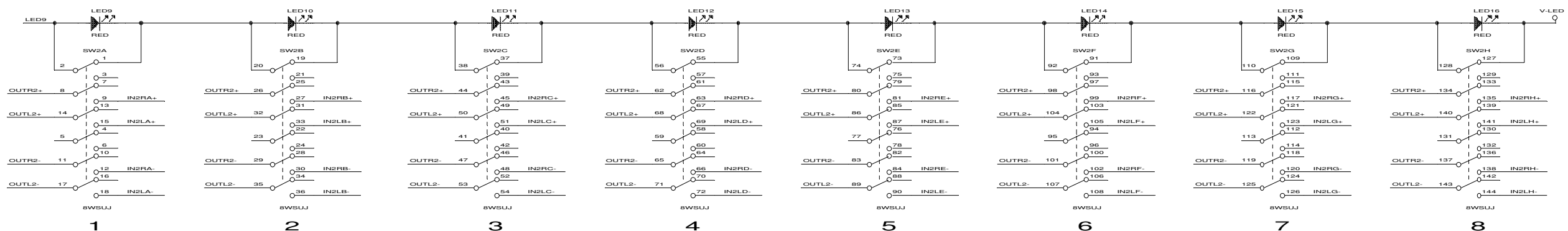
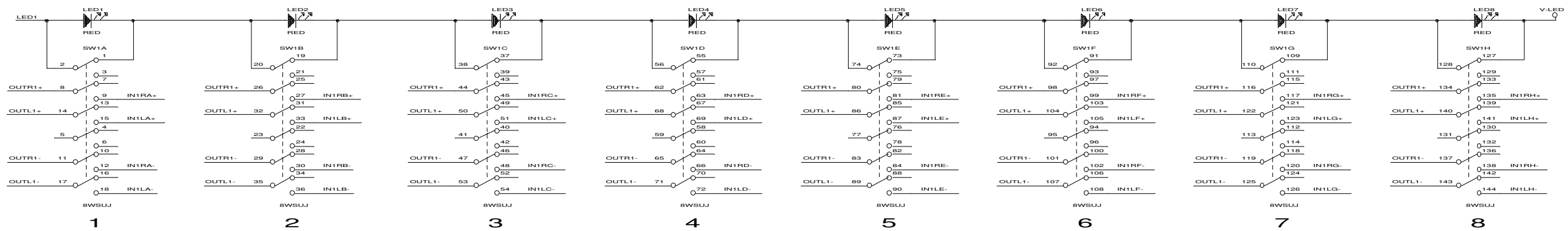


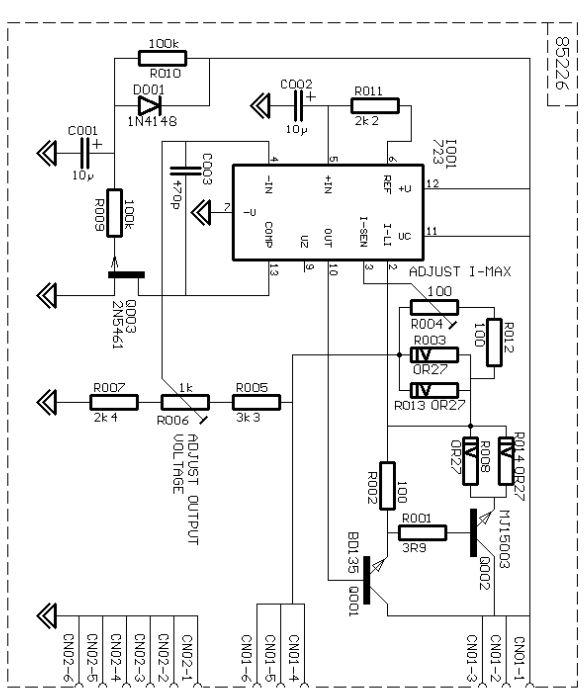
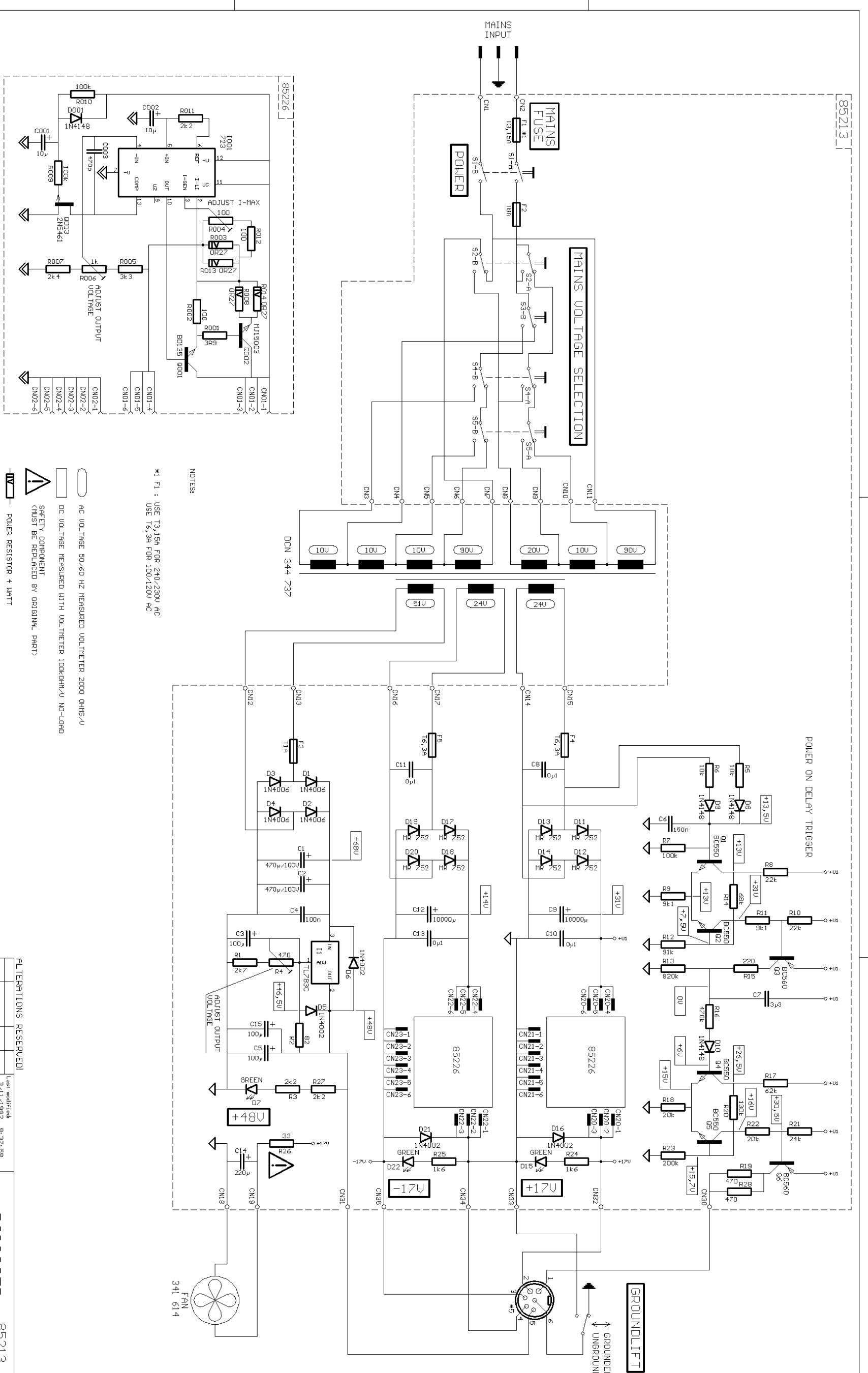


DDA, HOUNSLOW, MIDDX, TW3 2EB. ENGLAND.		
Title NETWORK7 TIMER CONTROL MODULE.		
Size B	Document Number CD1229-1 & PC1350-1	REV A
Date: April 14, 1994	Sheet 1	of 1



DDA LTD.		
Title	NETWORK 7 - TIMER DISPLAY BOARD	
Size	Document Number	REV
C	CD1230-1 & PC1351-1	B
Date:	August 31, 1994	Sheet 1 of 1





NOTES:  
 \*1 F1 : USE T3,15A FOR 240/230V AC  
 USE T6,3A FOR 100/120V AC

- AC VOLTAGE 50/60 HZ MEASURED VOLTMETER 2000 OHMS/V
- DC VOLTAGE MEASURED WITH VOLTMETER 100KOHM/V NO-LOAD
- SAFETY COMPONENT (MUST BE REPLACED BY ORIGINAL PART)
- POWER RESISTOR 4 WATT

- 2N 5461
- HJ 15003
- B0 135
- TL 783C
- BC 550/560
- 723
- 1N4006
- 1N4148
- AB 1-93

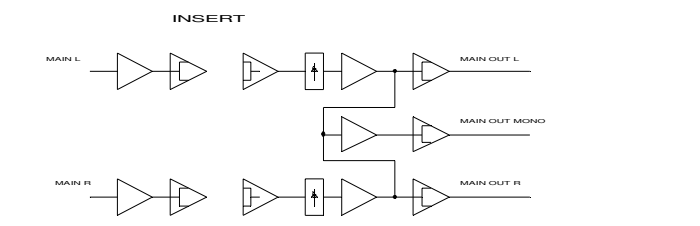
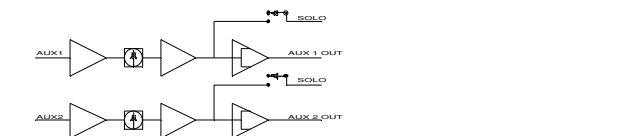
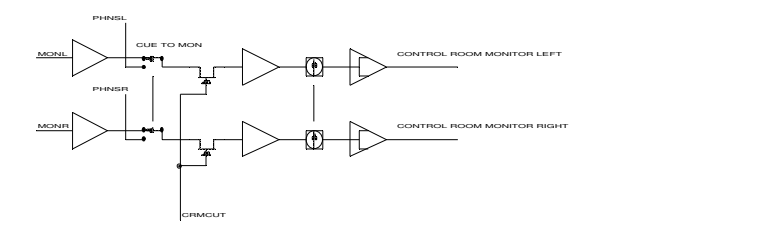
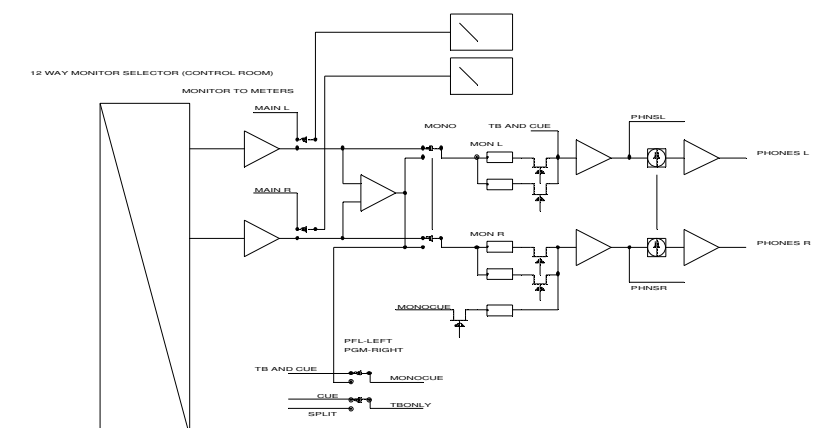
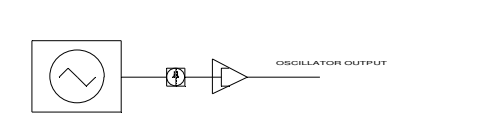
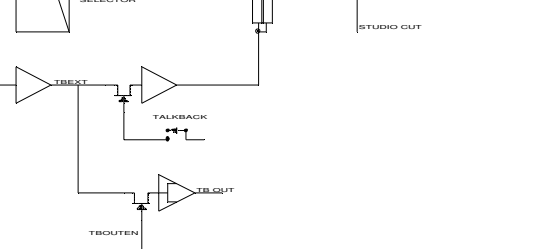
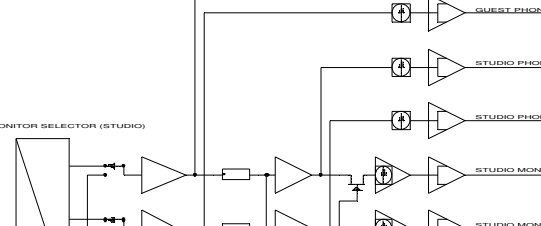
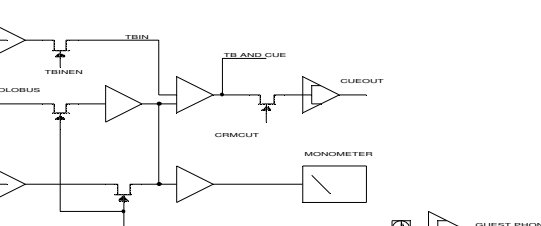
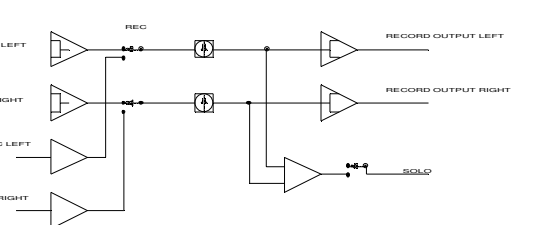
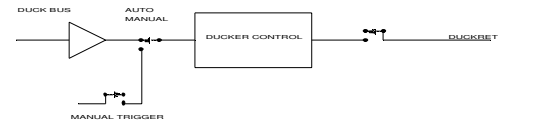
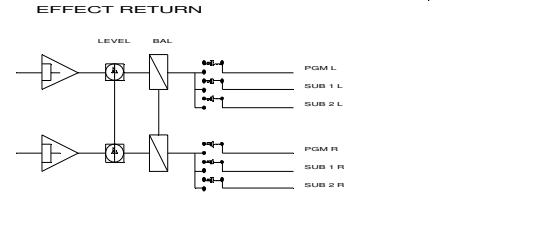
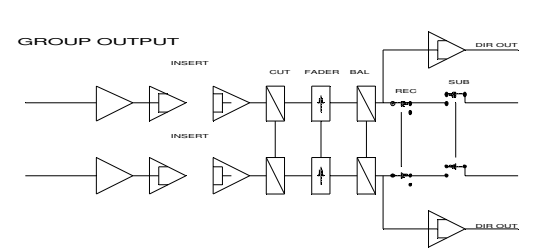
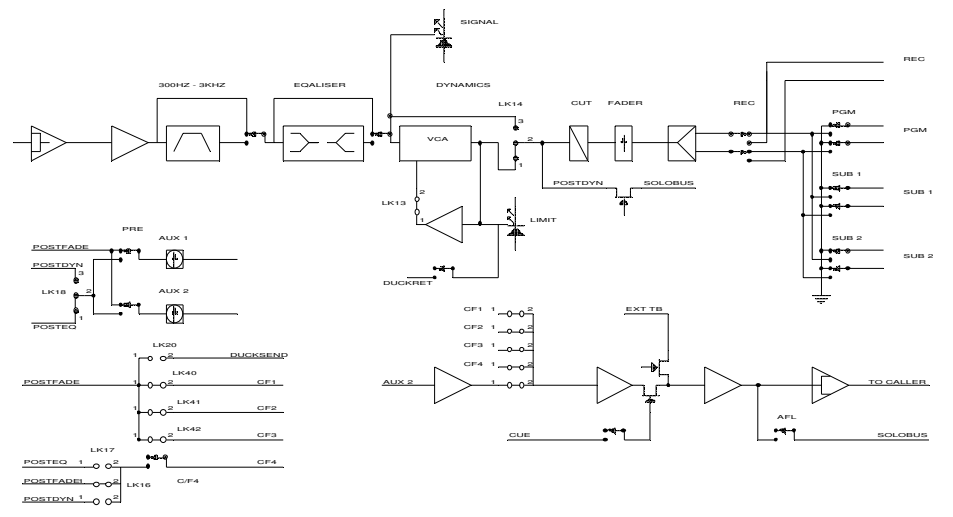
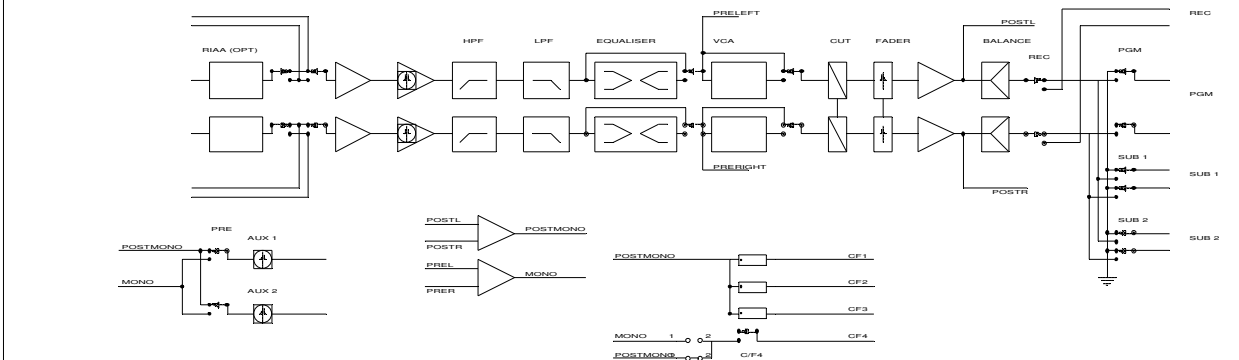
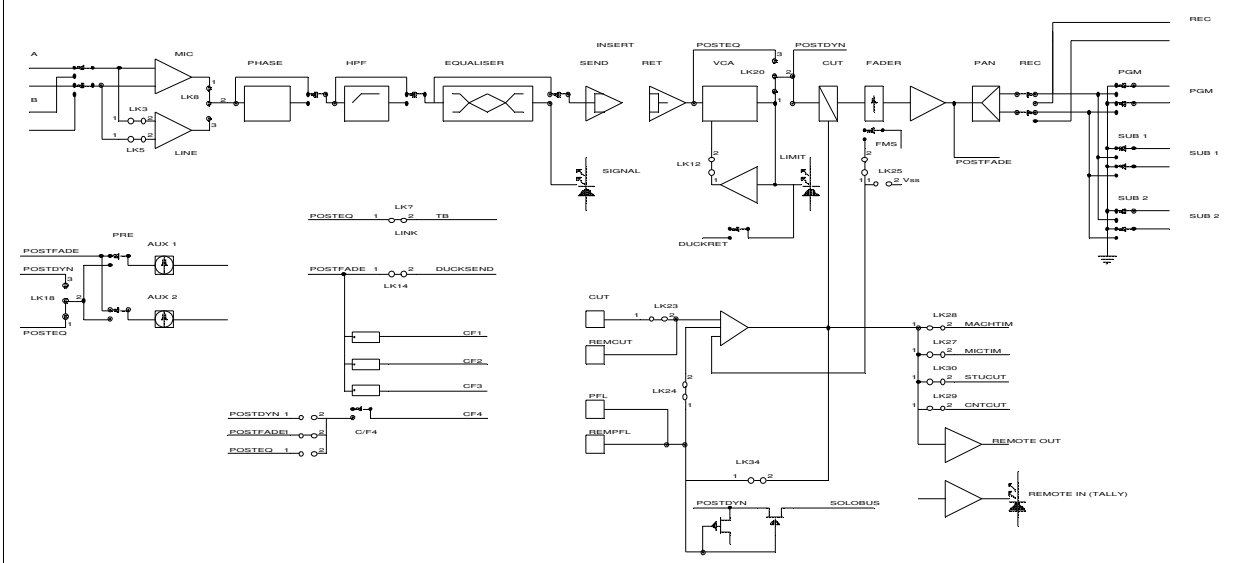
ALTERATIONS RESERVED!

3/11/1992	81:37:58	Last modified
26/08/1994	12:58:32	Last printed
1981		DATE
		NAME
		DRAWN
		CHECKED
		STADLER
		APP'D

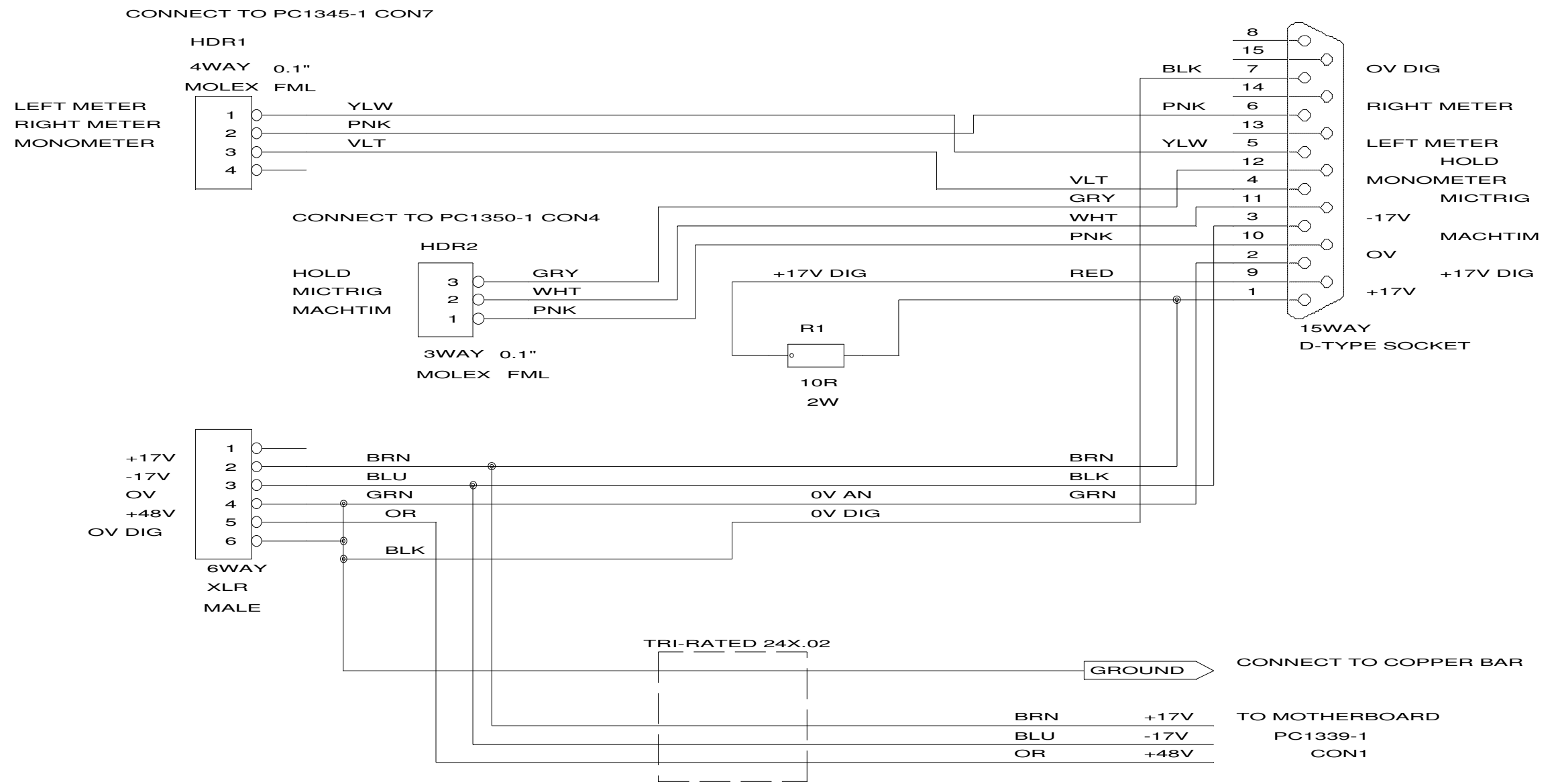
PSI2835B 85213  
85226

CIRCUIT DIAGRAM 1/1

344 803  
INTERFACE



Title	NETWORK-7 BLOCK DIAGRAM
Size	Document Number
ID	NY BLK
Date	December 5, 1994
Sheet	of



WIRING DIAGRAM FOR METER CONNECTOR ACON16-060  
 EXCEPT WHERE SPECIFIED USE 7X.02 WIRE FOR INTERCONNECTIONS

DDA LTD, HOUNSLOW, MIDDX. TW3 2EB, ENGLAND		
TEL: (0)81 570 7161 FAX: (0)81 577 3677		
Title MASTER CONNECTOR WIRING DETAILS		
Size A	Document Number AS1395-1	REV C
Date:	December 16, 1994	Sheet 1 of 1