

# Q Series

Schematics

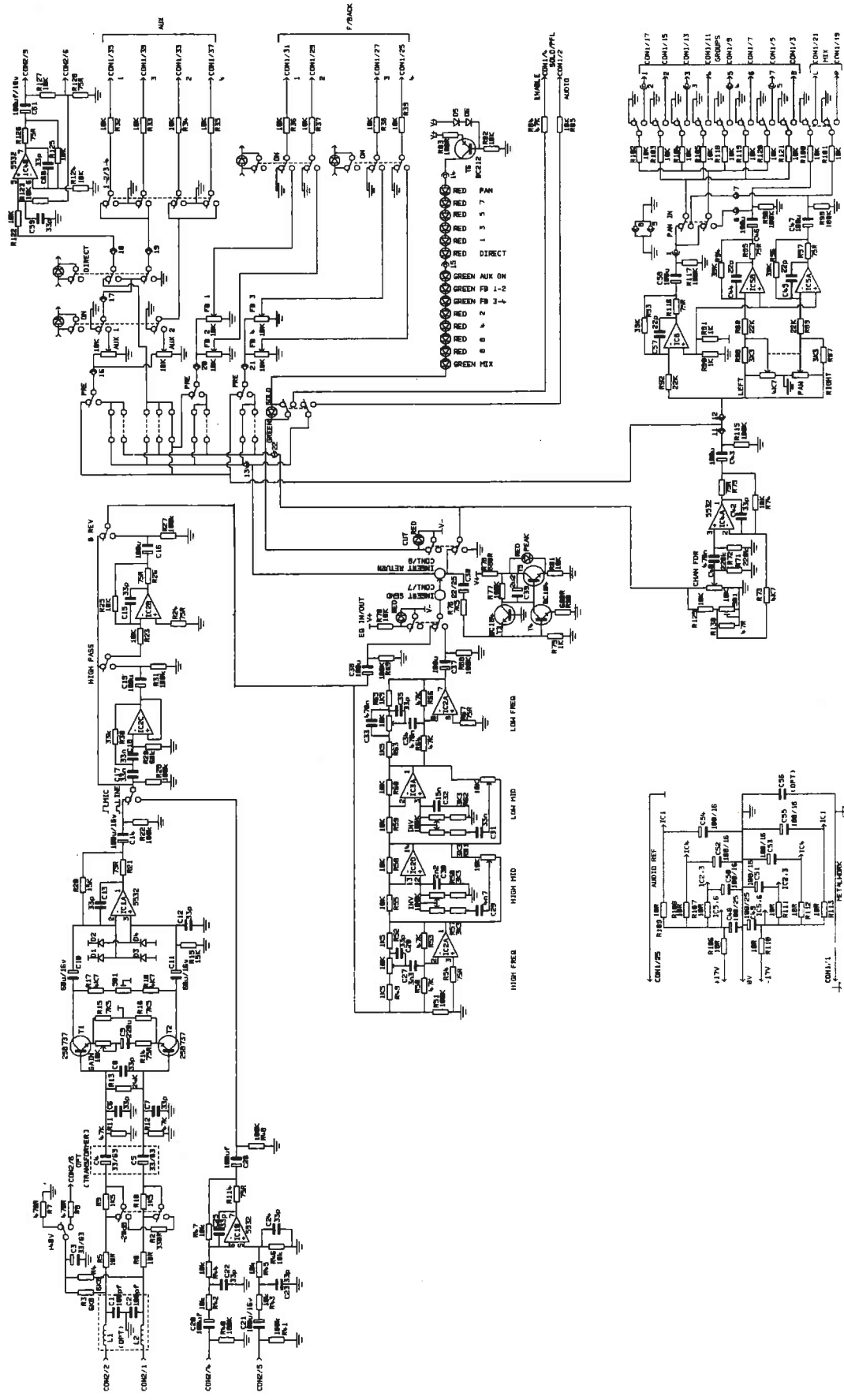
Klark Teknik Building  
Walter Nash Road  
Kidderminster  
Worcestershire  
DY11 7HJ

Tel: +44 (0) 1562 741515  
Fax: +44 (0) 1562 745371

Email: [info@uk.telex.com](mailto:info@uk.telex.com)  
Website: [www.ddaconsoles.com](http://www.ddaconsoles.com)

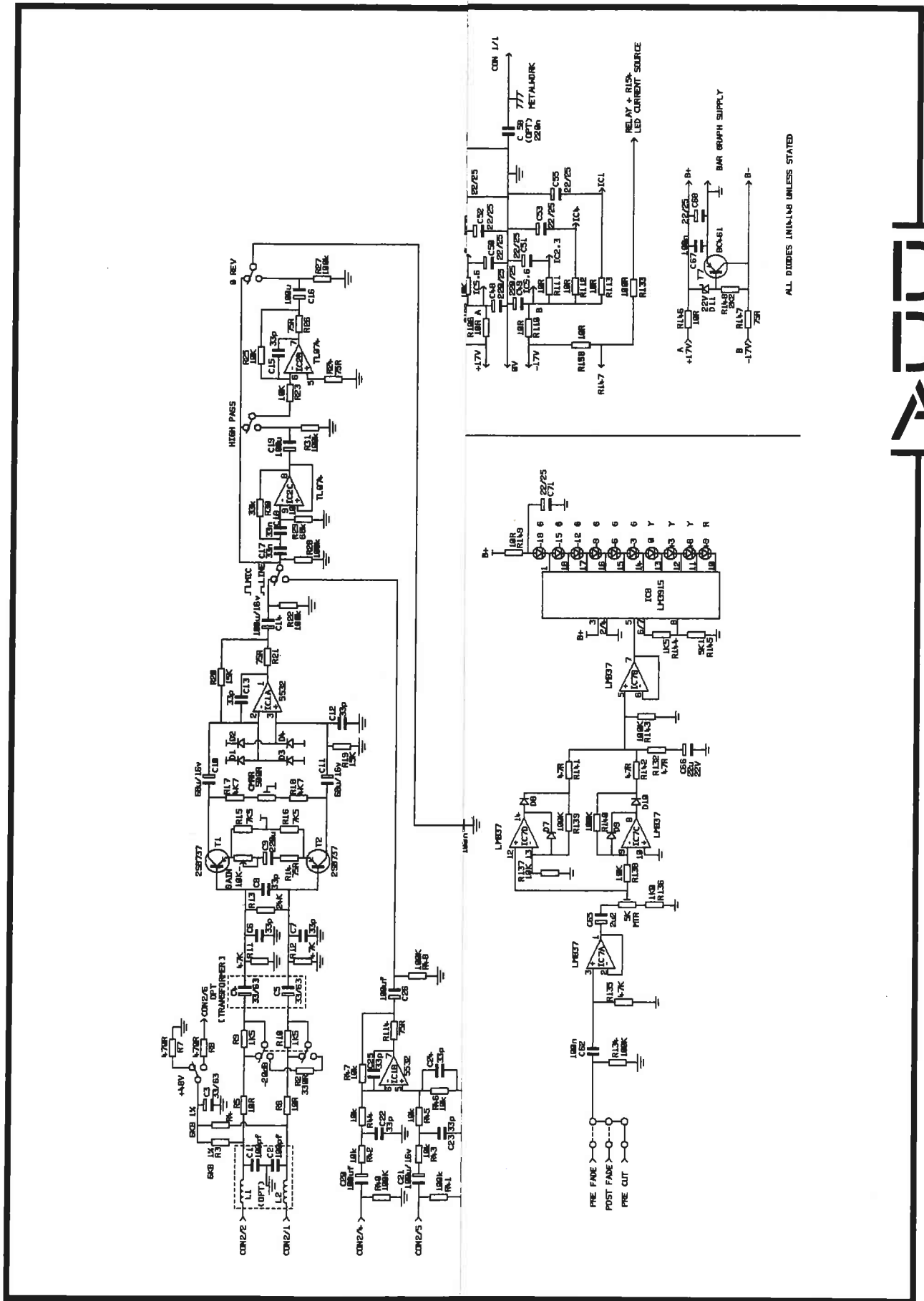
Q Series Schematics  
© Telex Communications (UK) Limited

In line with the company's policy of continual improvement, specifications and function maybe subject to change without notice. This Operator Manual was correct at the time of writing. E&OE.



# ADD A

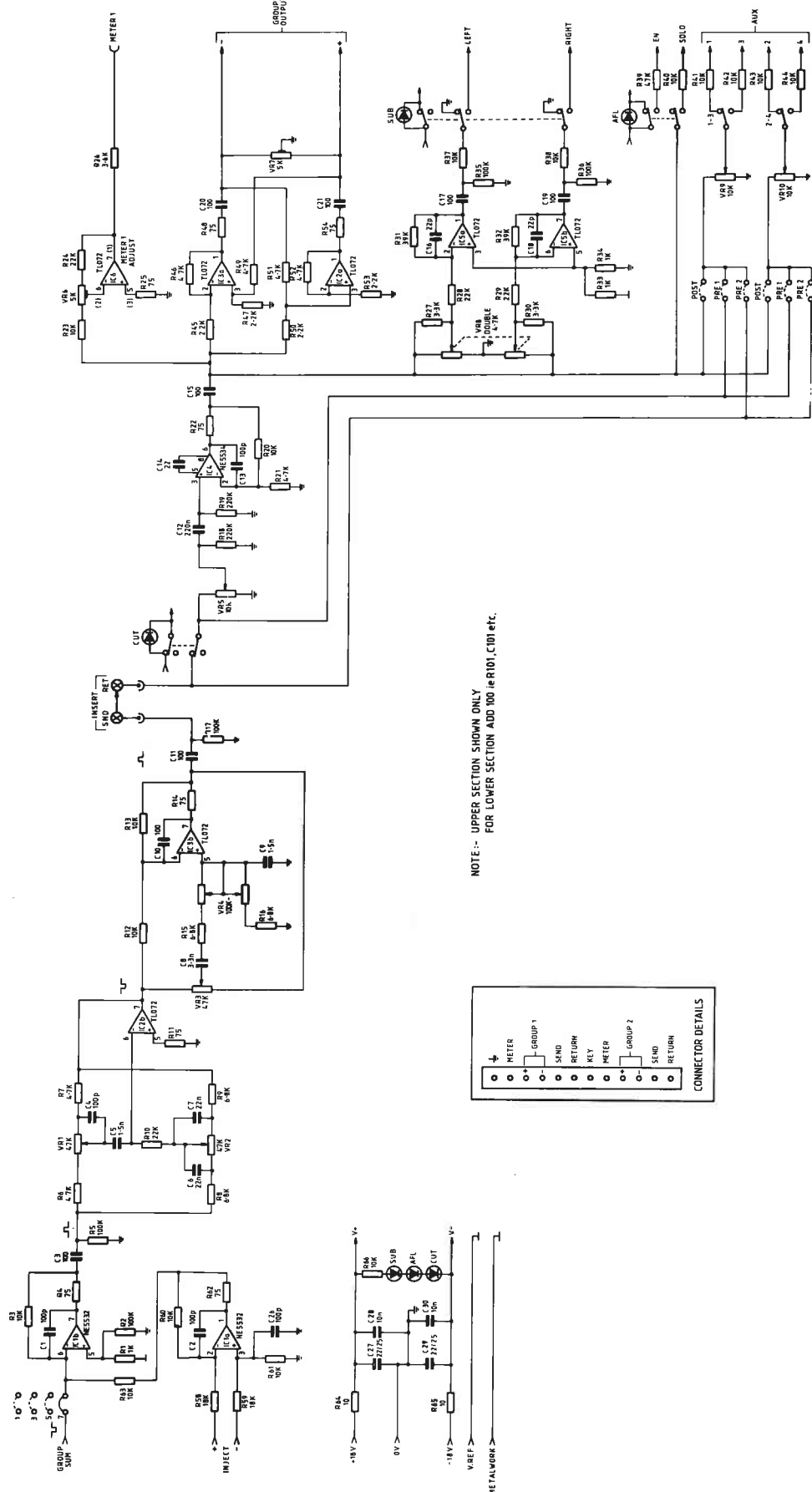
Q Series Input Module



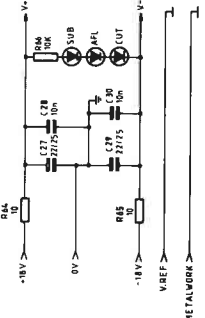
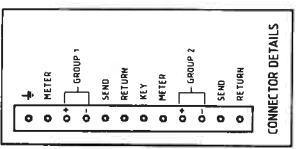
ALL DIODES 1N14-1N48 UNLESS STATED

Q - Mute Input Module

**A D D U**

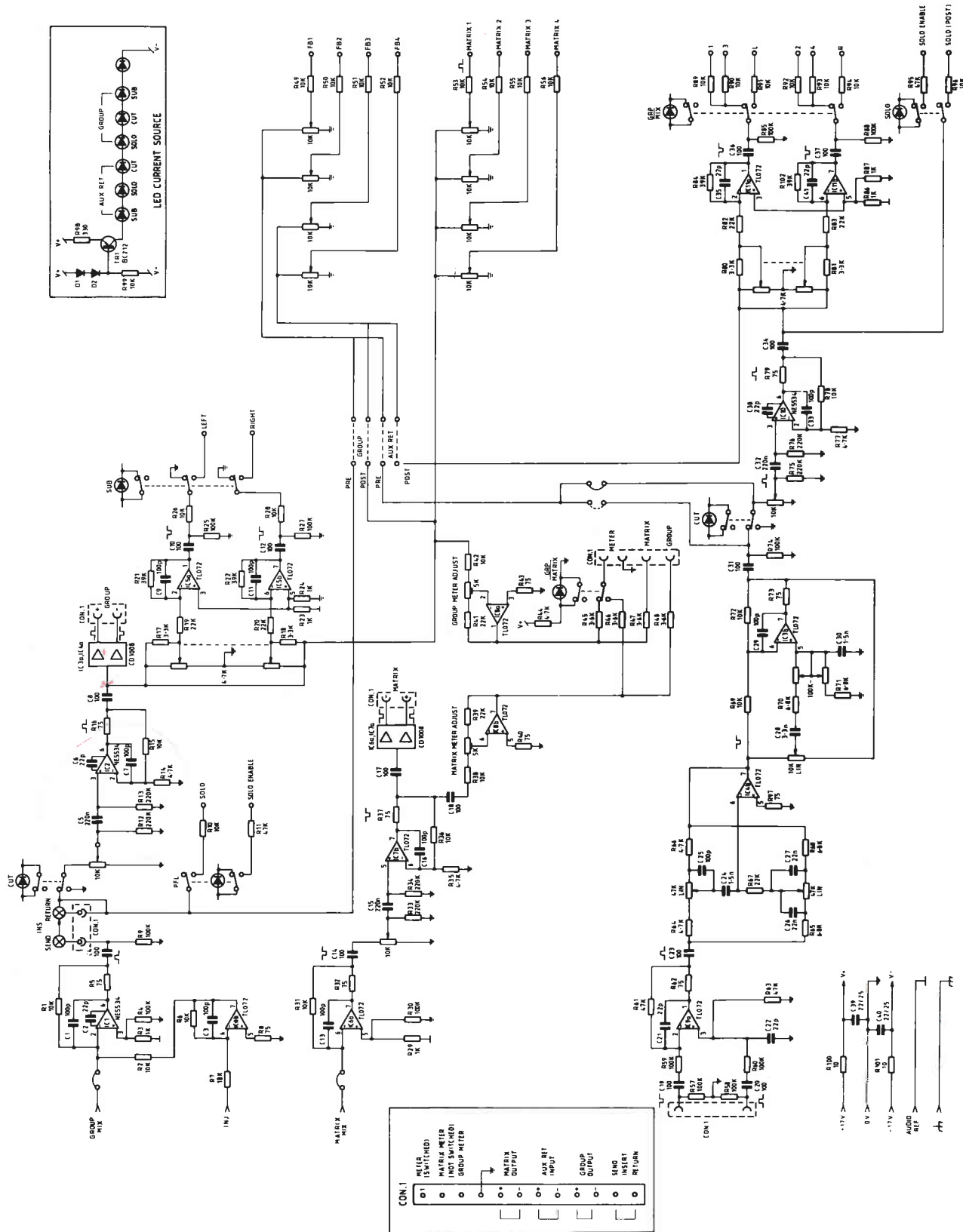


NOTE:- UPPER SECTION SHOWN ONLY FOR LOWER SECTION ADD 100k (R10), C101 etc.



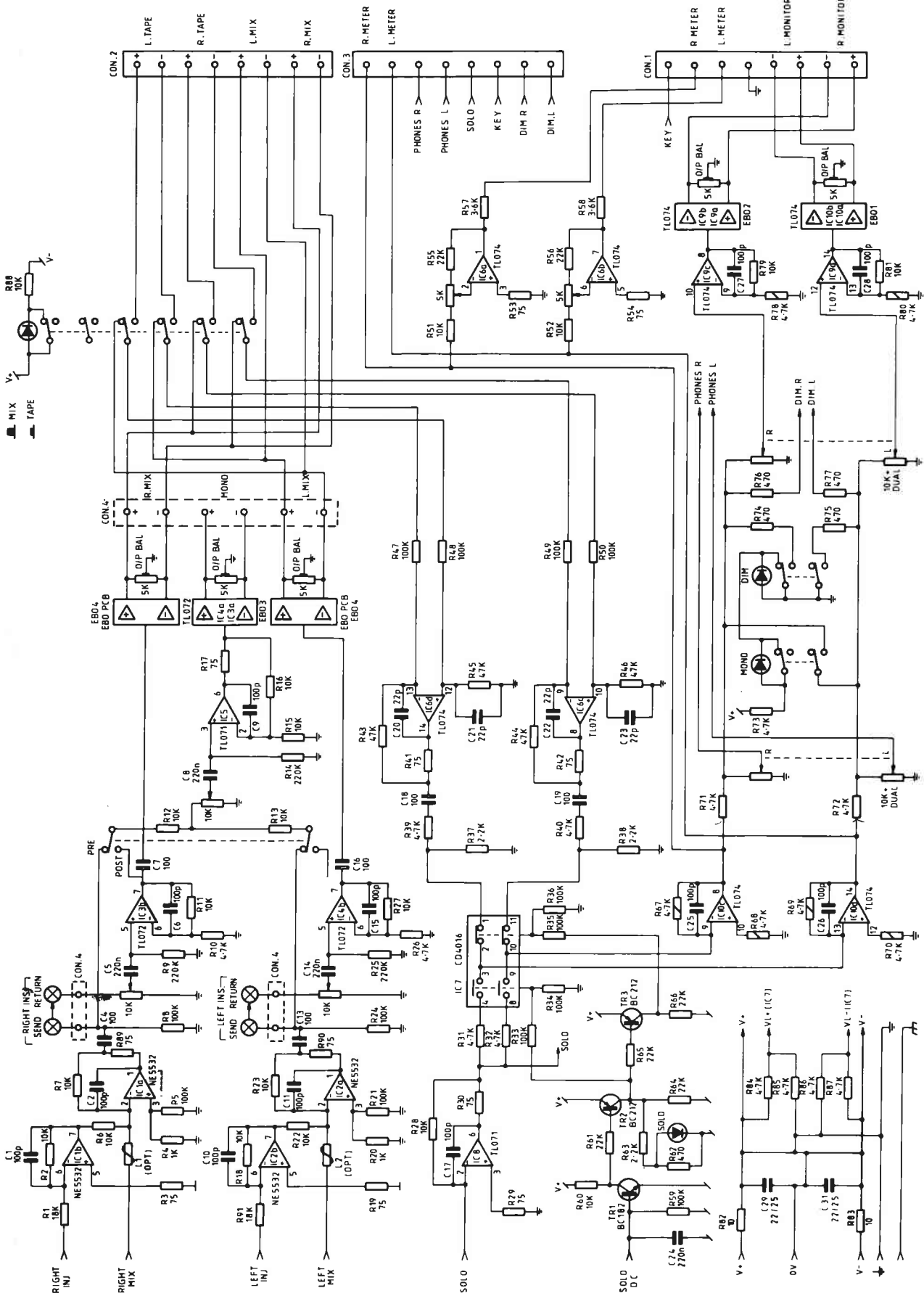
# ADD A

Q Series PA Output Module



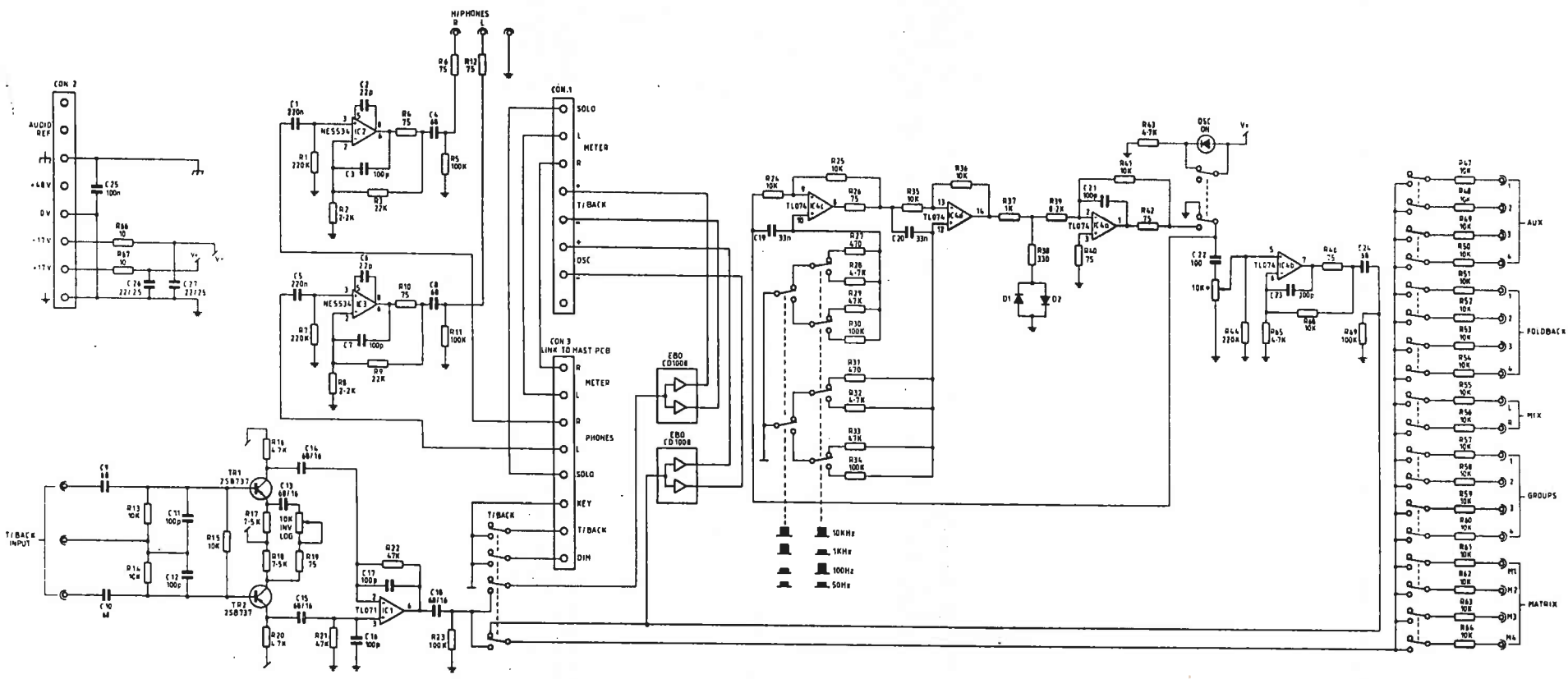
# ADD A

Q Series Matrix Output Module



# ADD A

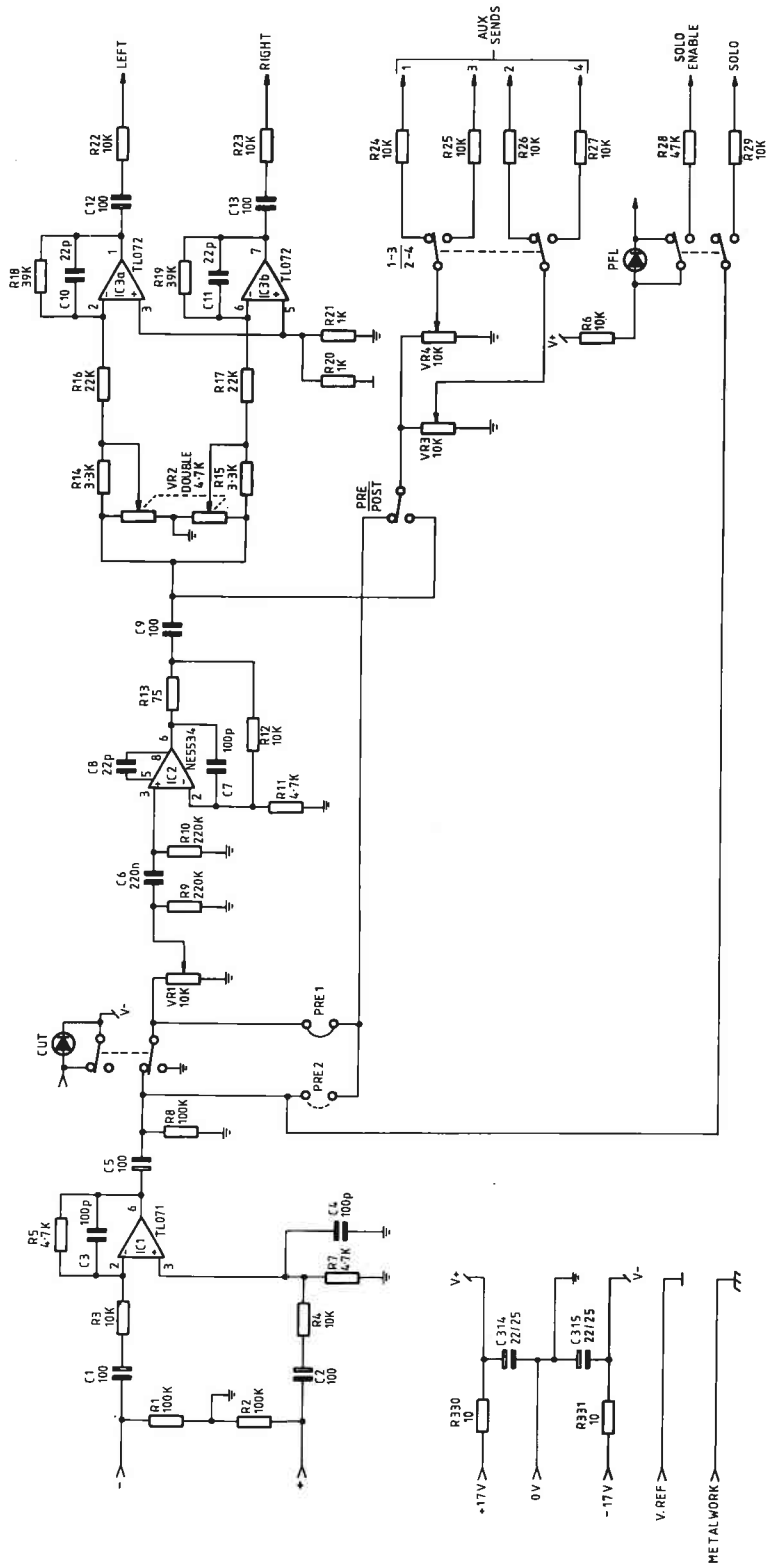
Q Series Master Module



|                     |             |       |            |
|---------------------|-------------|-------|------------|
| S SERIES            |             |       |            |
| PA MASTER SUB P.C.B |             |       |            |
| REV'S               | DESCRIPTION | CHK'D | APP'D DATE |
|                     |             |       |            |

|       |        |         |          |         |       |
|-------|--------|---------|----------|---------|-------|
| DRAWN | TRACED | CHECKED | APPROVED | DATE    | SCALE |
| Mark  |        |         |          | 19-5-86 |       |

DRAWING No. CD 1034 - 1

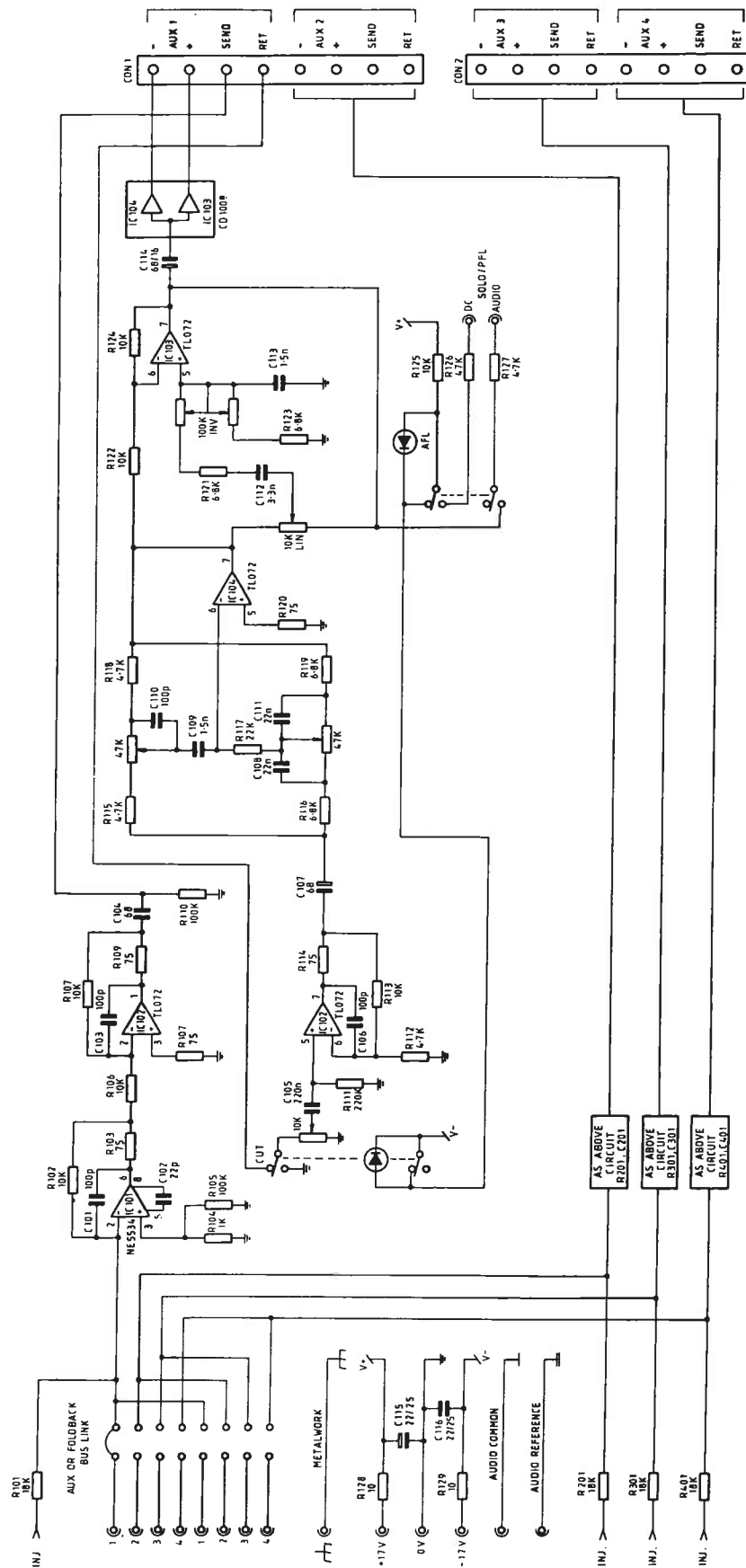


AUX RETURN 1 SECTION SHOWN  
 FOR AUX RETURN 2 Nos. ADD 100 ie R101, C101  
 FOR AUX RETURN 3 Nos. ADD 200 ie R201, C201  
 FOR AUX RETURN 4 Nos. ADD 300 ie R301, C301

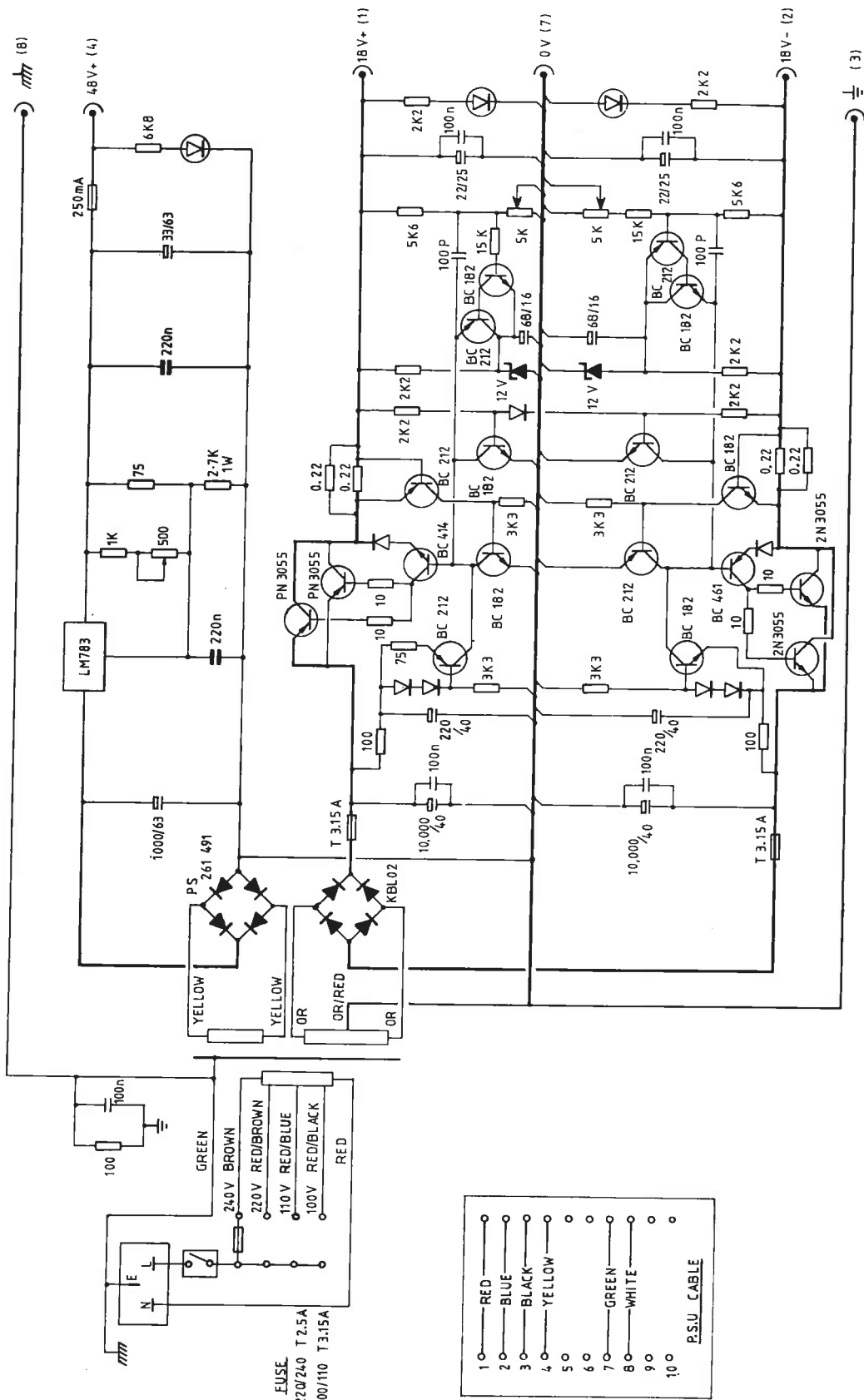
# A D D I



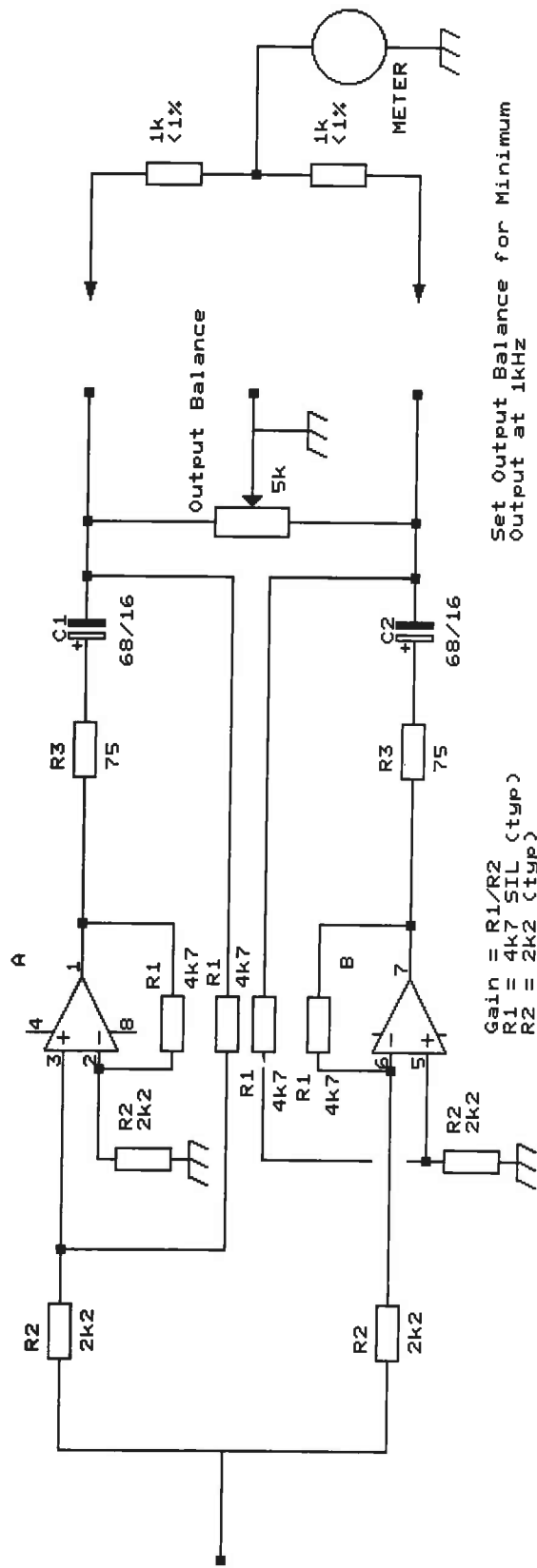
# DDA



Aux/Foldback Master Module



# ADD



Set Output Balance for Minimum Output at 1kHz  
Typically -40dBv

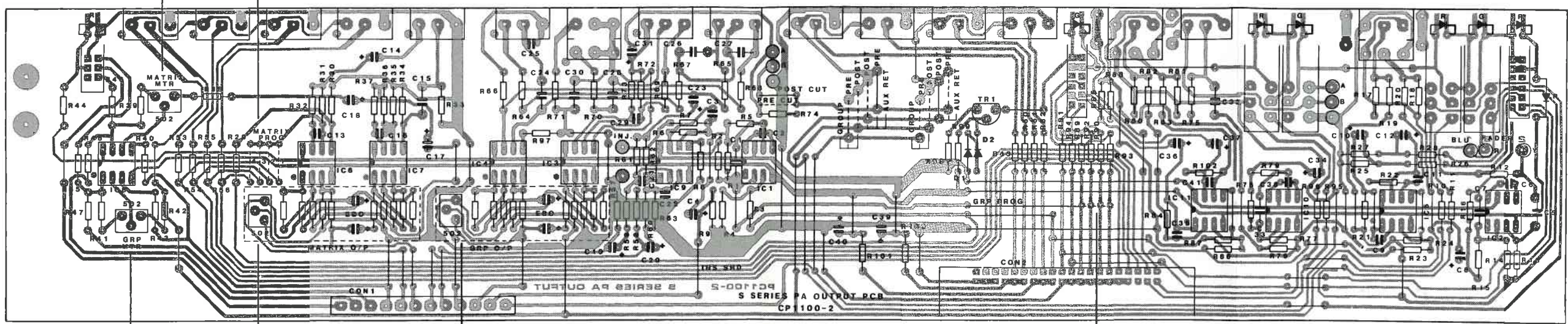
Gain =  $R1/R2$   
 $R1 = 4k7$  SIL (typ)  
 $R2 = 2k2$  (typ)

OUTPUT BALANCE ADJUST

ADJUST

Matrix meter trim

Matrix programming



Group meter trim

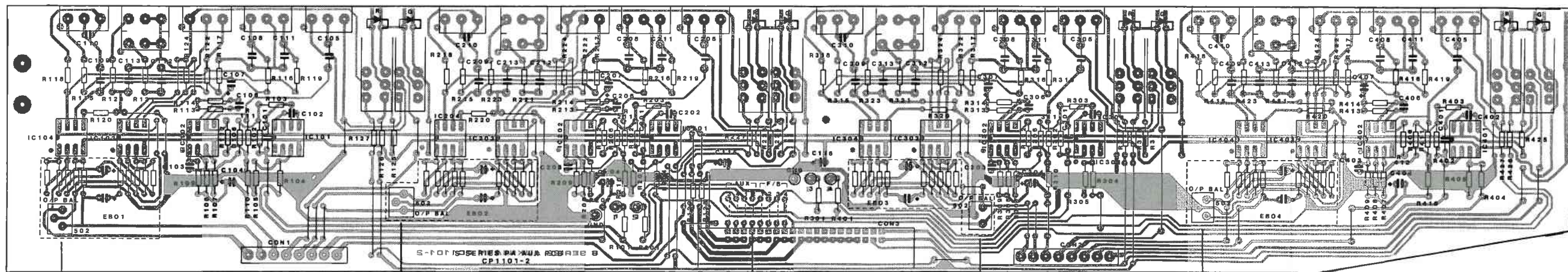
Group output balance adjust

Group programming

Matrix output balance adjust

S Series PA Output Module  
Q Series Matrix Output Module  
PCB Layout PC 1100-2





Output 1 balance adjust

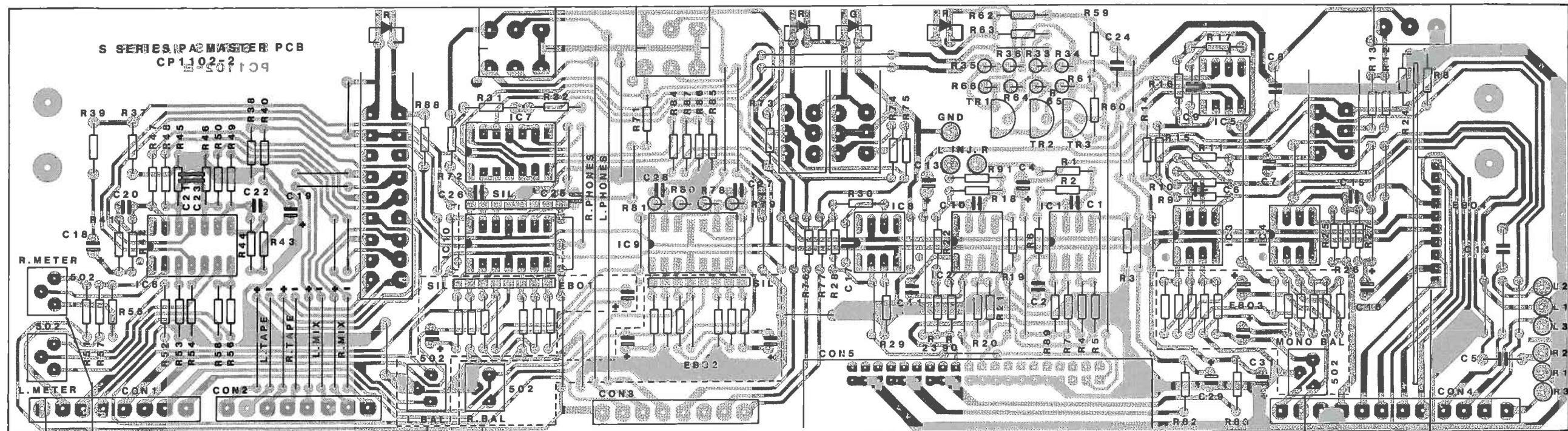
Output 2 balance adjust

Output programming

Output 3 balance adjust

Output 4 balance adjust

S Series/Q Series Aux Master Module  
PCB Layout PC 1101-2



Right meter trim

Monitor right output balance adjust

Mono output balance adjust

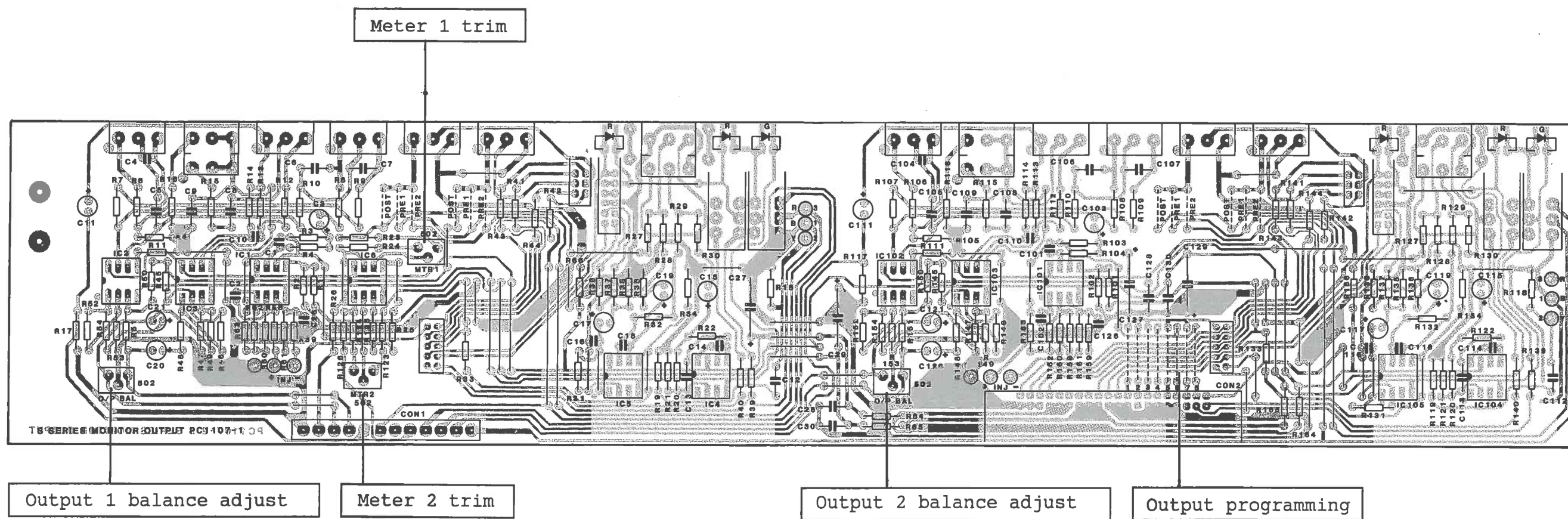
Left meter trim

Monitor left output balance adjust

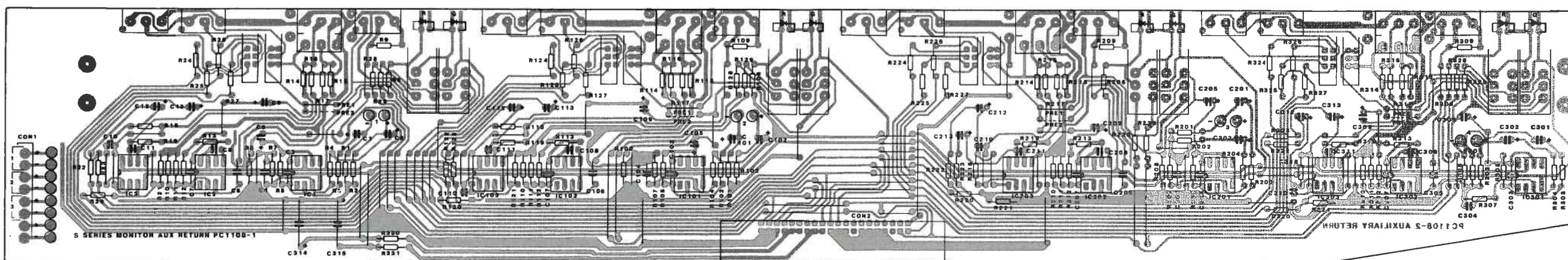
Mix left and right balance

S Series PA/Monitor Master Module  
Q Series Master Module  
PCB Layout PC 1102-2



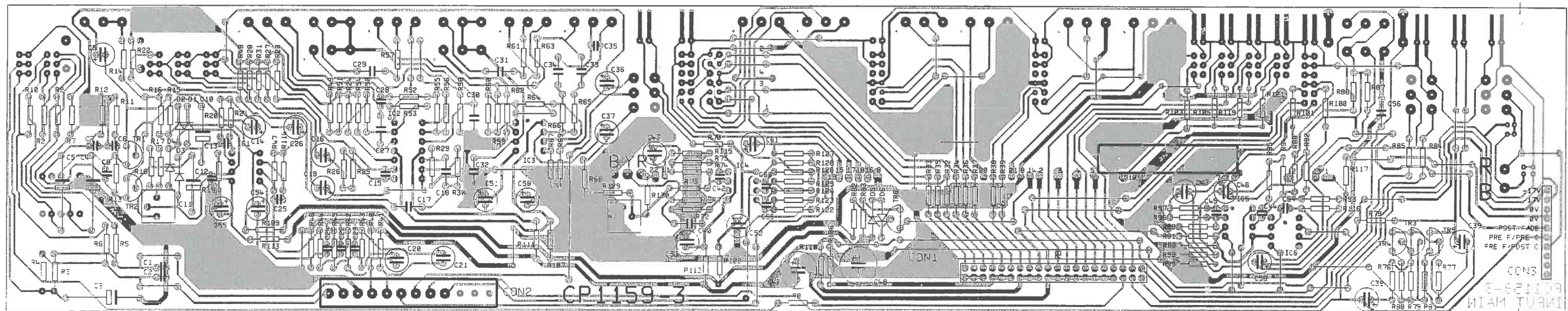


S Series Monitor Output Module  
Q Series PA Output Module  
PCB Layout PC 1107-1



S Series/Q Series Aux Return Module  
 D Series Aux Return Module  
 PCB Layout PC 1108-1





Q Series Standard Input Module  
PCB Layout PC 1159-3