

QMR

Schematics

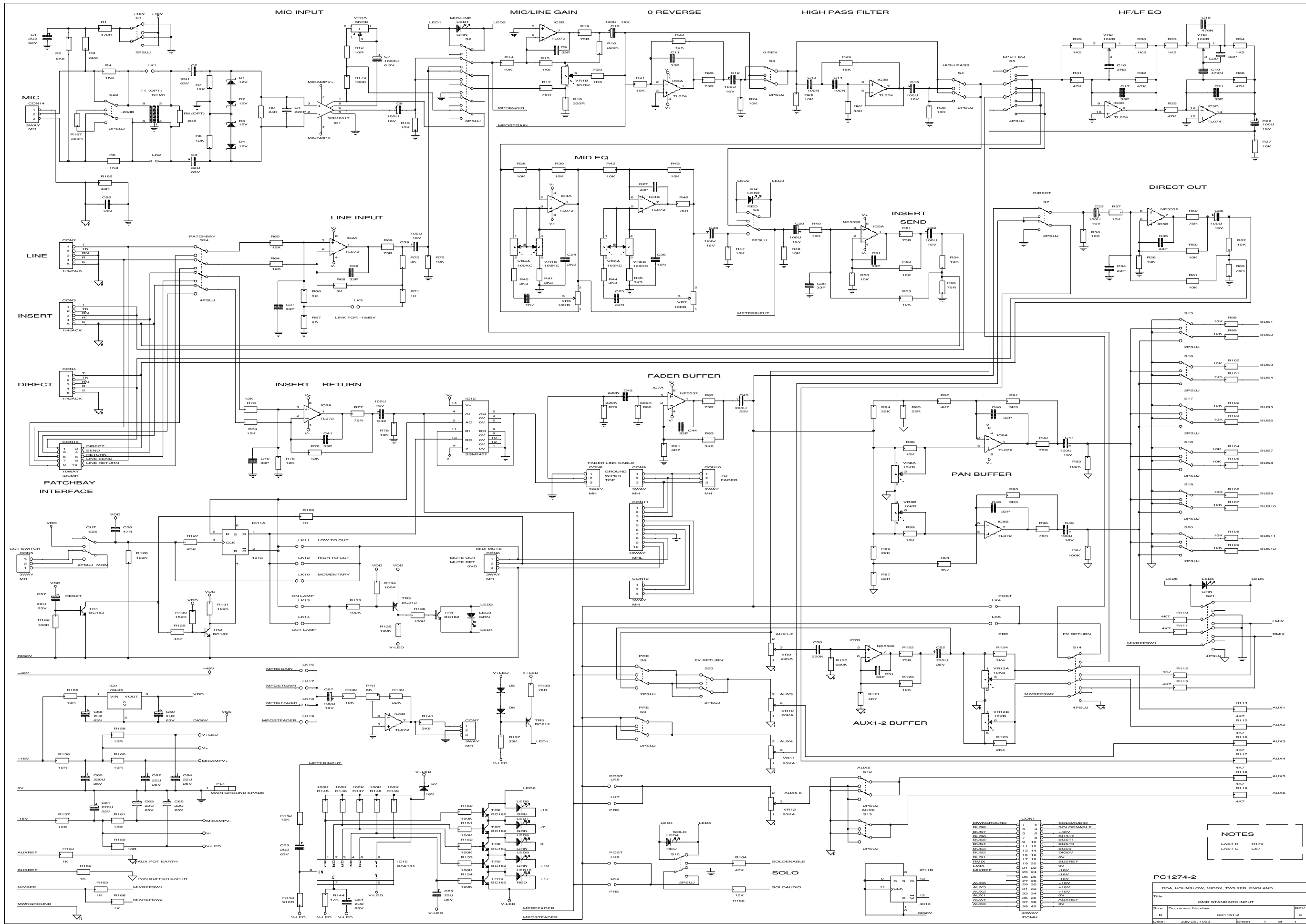
Klark Teknik Building
Walter Nash Road
Kidderminster
Worcestershire
DY11 7HJ

Tel: +44 (0) 1562 741515
Fax: +44 (0) 1562 745371

Email: info@uk.telex.com
Website: www.ddaconsoles.com

QMR Schematics
© Telex Communications (UK) Limited

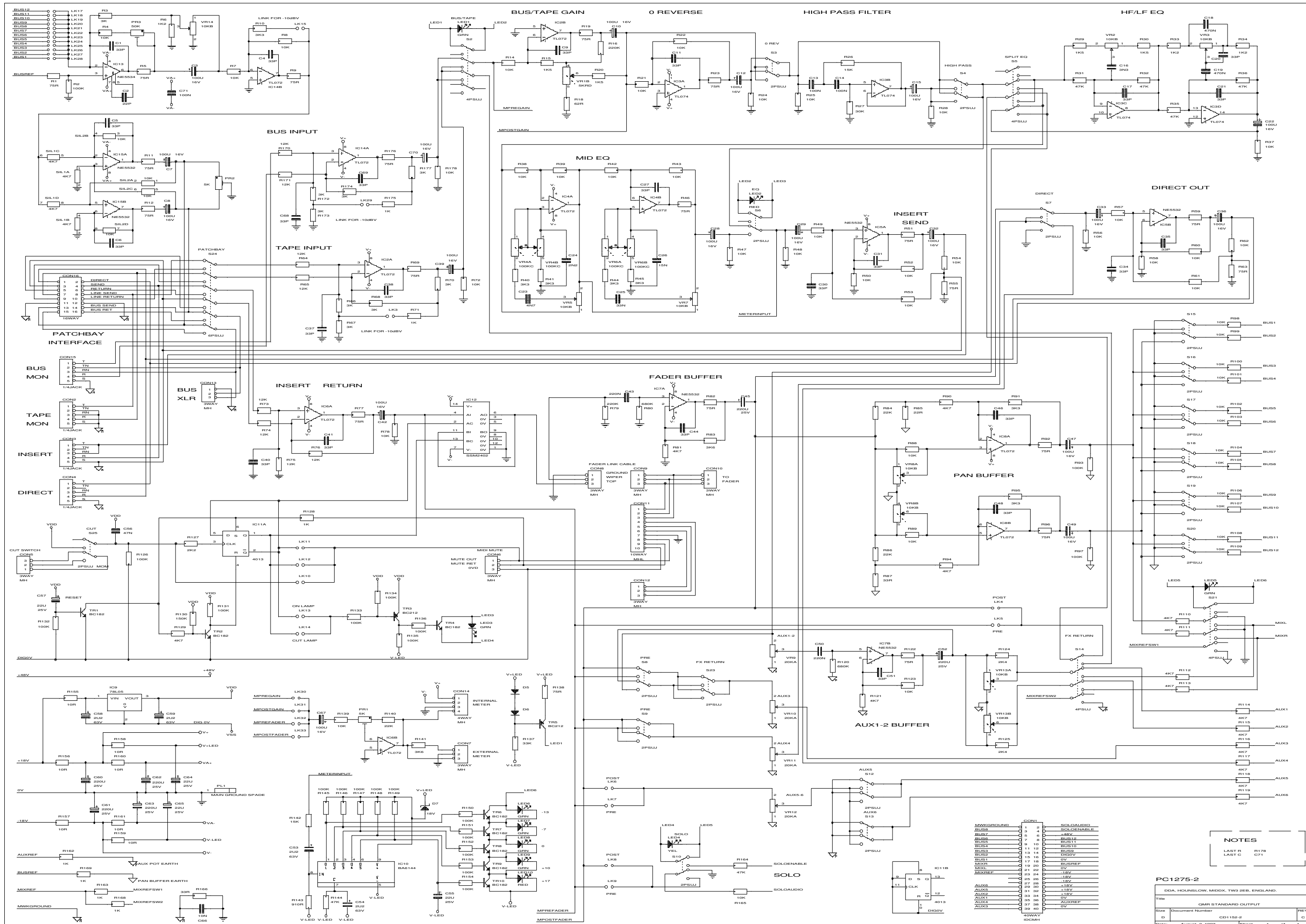
In line with the company's policy of continual improvement, specifications and function maybe subject to change without notice. This Operator Manual was correct at the time of writing. E&OE.



NOTES
 LAST R R170
 LAST C C67

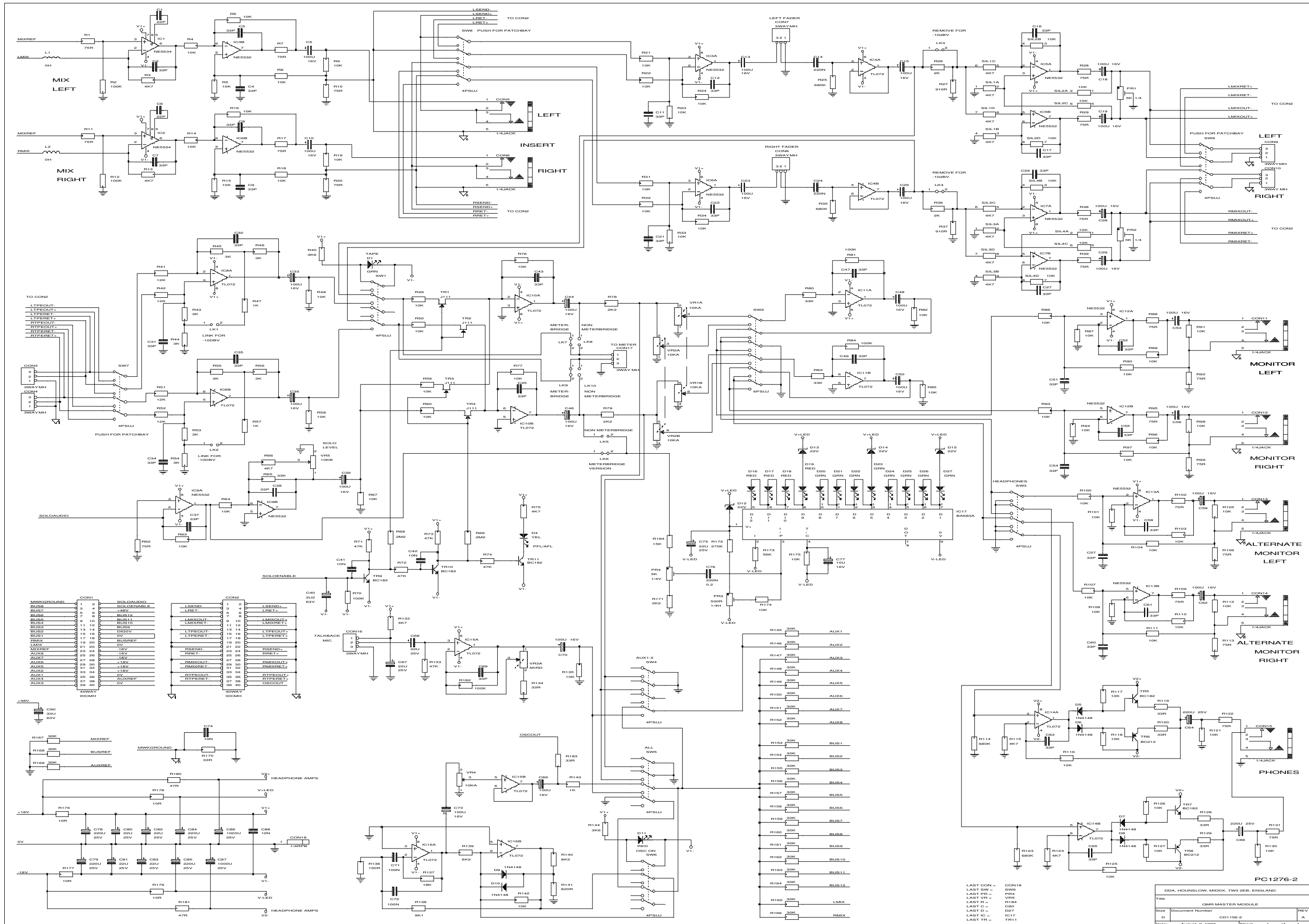
PC1274-2
 DDA, HOUNSLOW, MDDX, TW3 2EB, ENGLAND.
 Title: OMR STANDARD INPUT
 Size: Document Number
 Date: July 29, 1993 Sheet 1 of 1

NAME	VALUE	TYPE	SOIC PACKAGE
BUSB	100K	R	SOLDERABLE
BUSC	100K	R	SOLDERABLE
BUSD	100K	R	SOLDERABLE
BUSE	100K	R	SOLDERABLE
BUSF	100K	R	SOLDERABLE
BUSG	100K	R	SOLDERABLE
BUSH	100K	R	SOLDERABLE
BUSI	100K	R	SOLDERABLE
BUSJ	100K	R	SOLDERABLE
BUSK	100K	R	SOLDERABLE
BUSL	100K	R	SOLDERABLE
BUSM	100K	R	SOLDERABLE
BUSN	100K	R	SOLDERABLE
BUSO	100K	R	SOLDERABLE
BUSP	100K	R	SOLDERABLE
BUSQ	100K	R	SOLDERABLE
BUSR	100K	R	SOLDERABLE
BUSR	100K	R	SOLDERABLE
BUSV	100K	R	SOLDERABLE
BUSW	100K	R	SOLDERABLE
BUSX	100K	R	SOLDERABLE
BUSY	100K	R	SOLDERABLE
BUSZ	100K	R	SOLDERABLE
AUX5	100K	R	SOLDERABLE
AUX6	100K	R	SOLDERABLE
AUX7	100K	R	SOLDERABLE
AUX8	100K	R	SOLDERABLE
AUX9	100K	R	SOLDERABLE
AUX10	100K	R	SOLDERABLE
AUX11	100K	R	SOLDERABLE
AUX12	100K	R	SOLDERABLE
AUX13	100K	R	SOLDERABLE
AUX14	100K	R	SOLDERABLE
AUX15	100K	R	SOLDERABLE
AUX16	100K	R	SOLDERABLE
AUX17	100K	R	SOLDERABLE
AUX18	100K	R	SOLDERABLE
AUX19	100K	R	SOLDERABLE
AUX20	100K	R	SOLDERABLE
AUX21	100K	R	SOLDERABLE
AUX22	100K	R	SOLDERABLE
AUX23	100K	R	SOLDERABLE
AUX24	100K	R	SOLDERABLE
AUX25	100K	R	SOLDERABLE
AUX26	100K	R	SOLDERABLE
AUX27	100K	R	SOLDERABLE
AUX28	100K	R	SOLDERABLE
AUX29	100K	R	SOLDERABLE
AUX30	100K	R	SOLDERABLE
AUX31	100K	R	SOLDERABLE
AUX32	100K	R	SOLDERABLE
AUX33	100K	R	SOLDERABLE
AUX34	100K	R	SOLDERABLE
AUX35	100K	R	SOLDERABLE
AUX36	100K	R	SOLDERABLE
AUX37	100K	R	SOLDERABLE
AUX38	100K	R	SOLDERABLE
AUX39	100K	R	SOLDERABLE
AUX40	100K	R	SOLDERABLE



NOTES

PC1275-2
 DDA, HOUNSLOW, MDDX, TW3 2EB, ENGLAND.
 Title: 2MR STANDARD OUTPUT
 Size: Document Number
 D: CD1152-2
 Date: August 2, 1993 Sheet 1 of 1

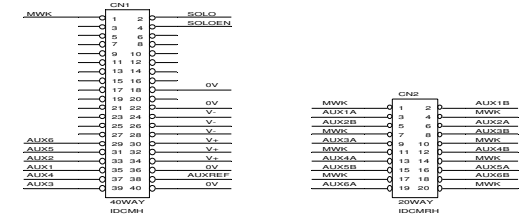
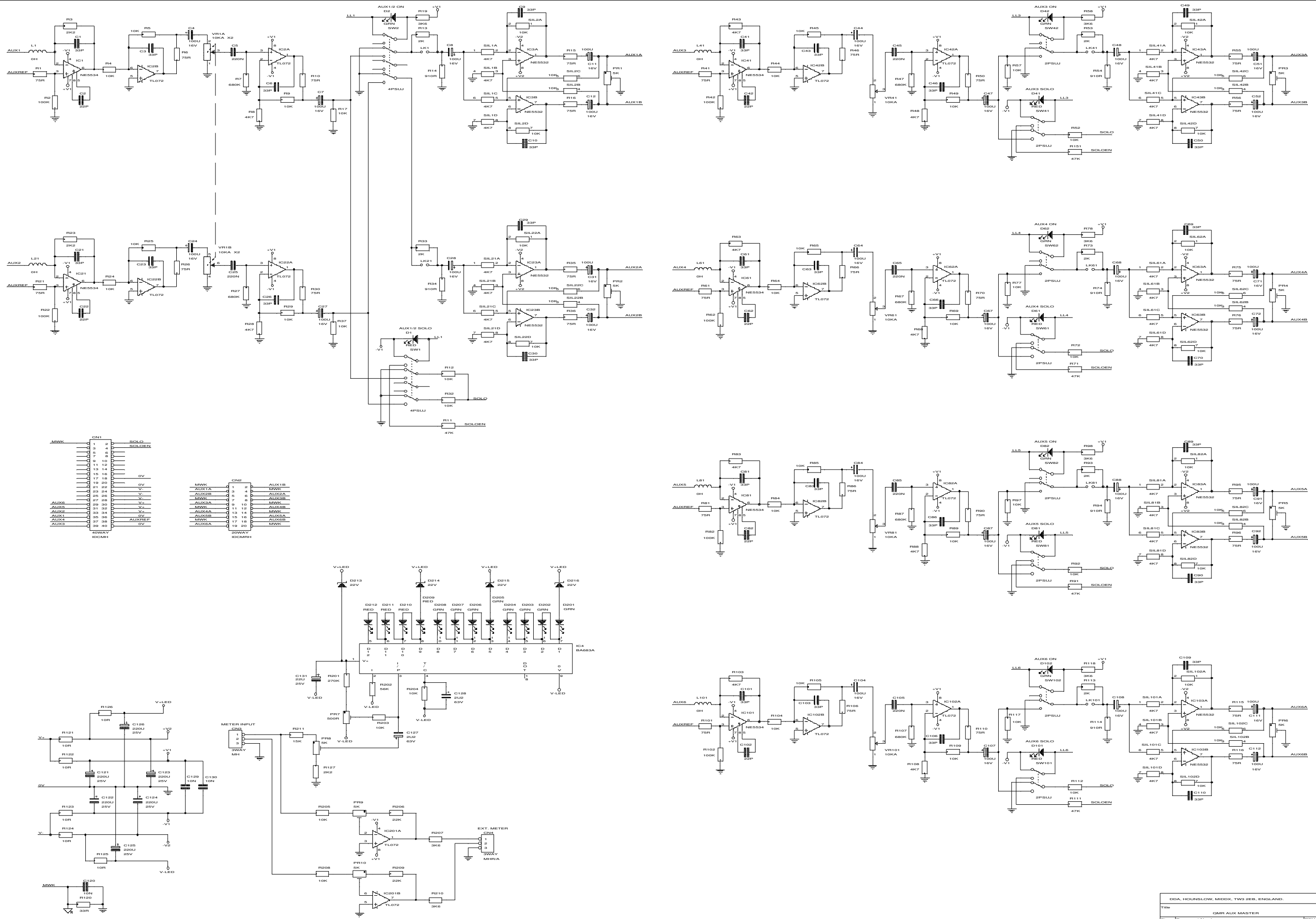


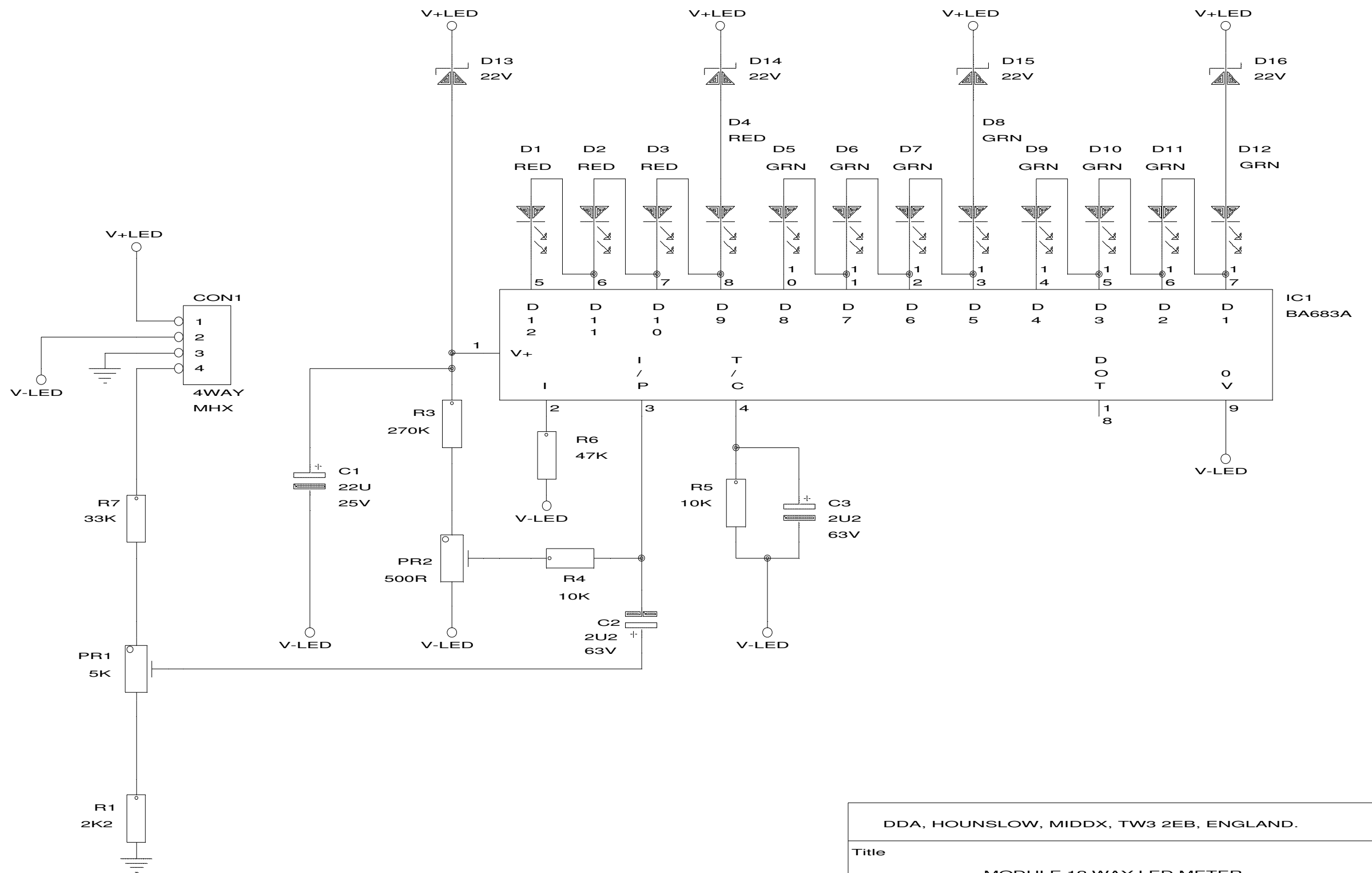
PC1276-2

DDA, HOUNSLOW, MIDDX, TW3 2EB, ENGLAND.

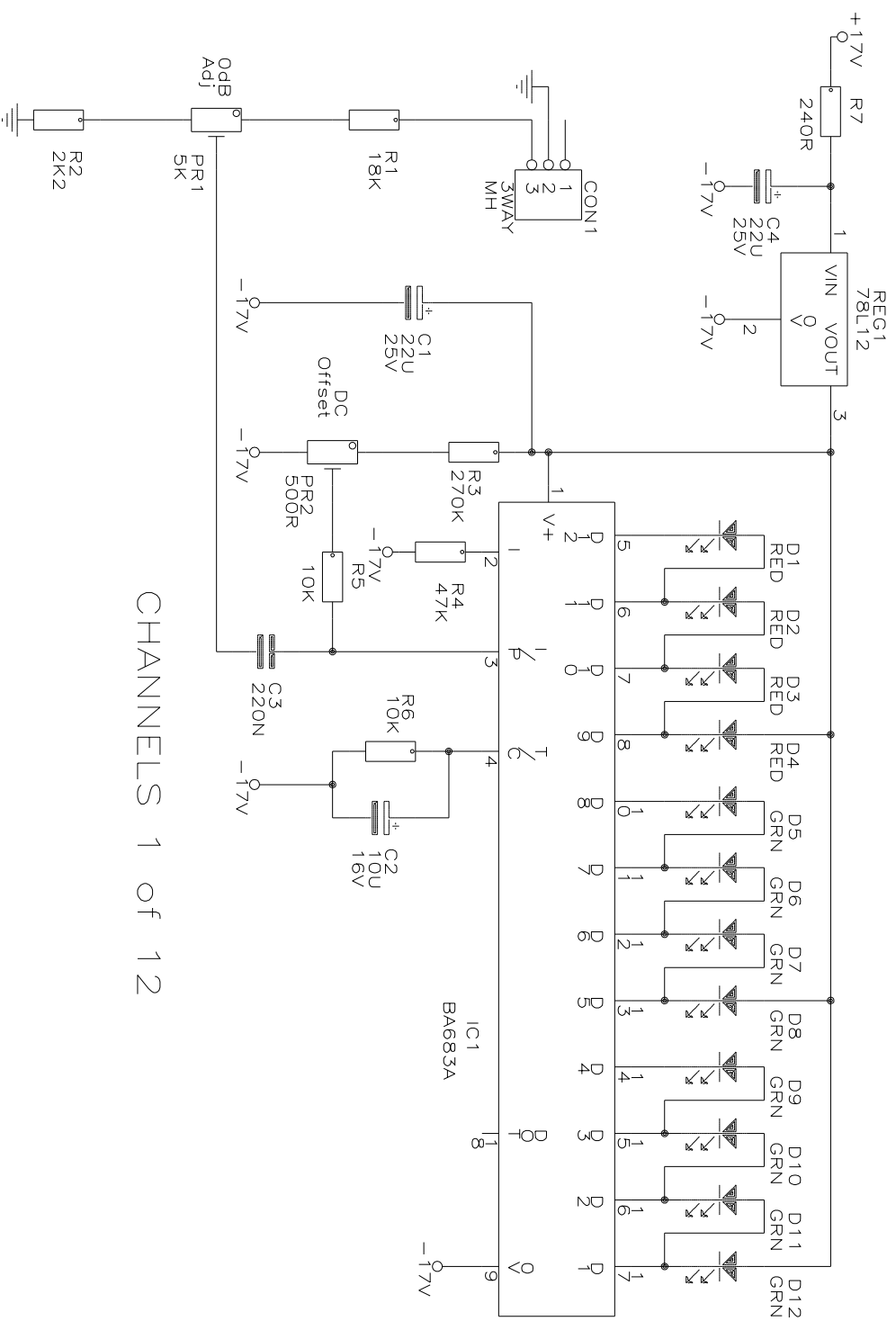
Title	32MR MASTER MODULE	REV
Size	Document Number	A
D	CD1156-2	
Date	August 9, 1993	Sheet 1 of 1

LAST CON - CON18
 LAST SW - SW9
 LAST PL - P14
 LAST VR - VR5
 LAST TR - TR11
 LAST C - C80
 LAST D - D27
 LAST IC - IC17
 LAST TR - TR11





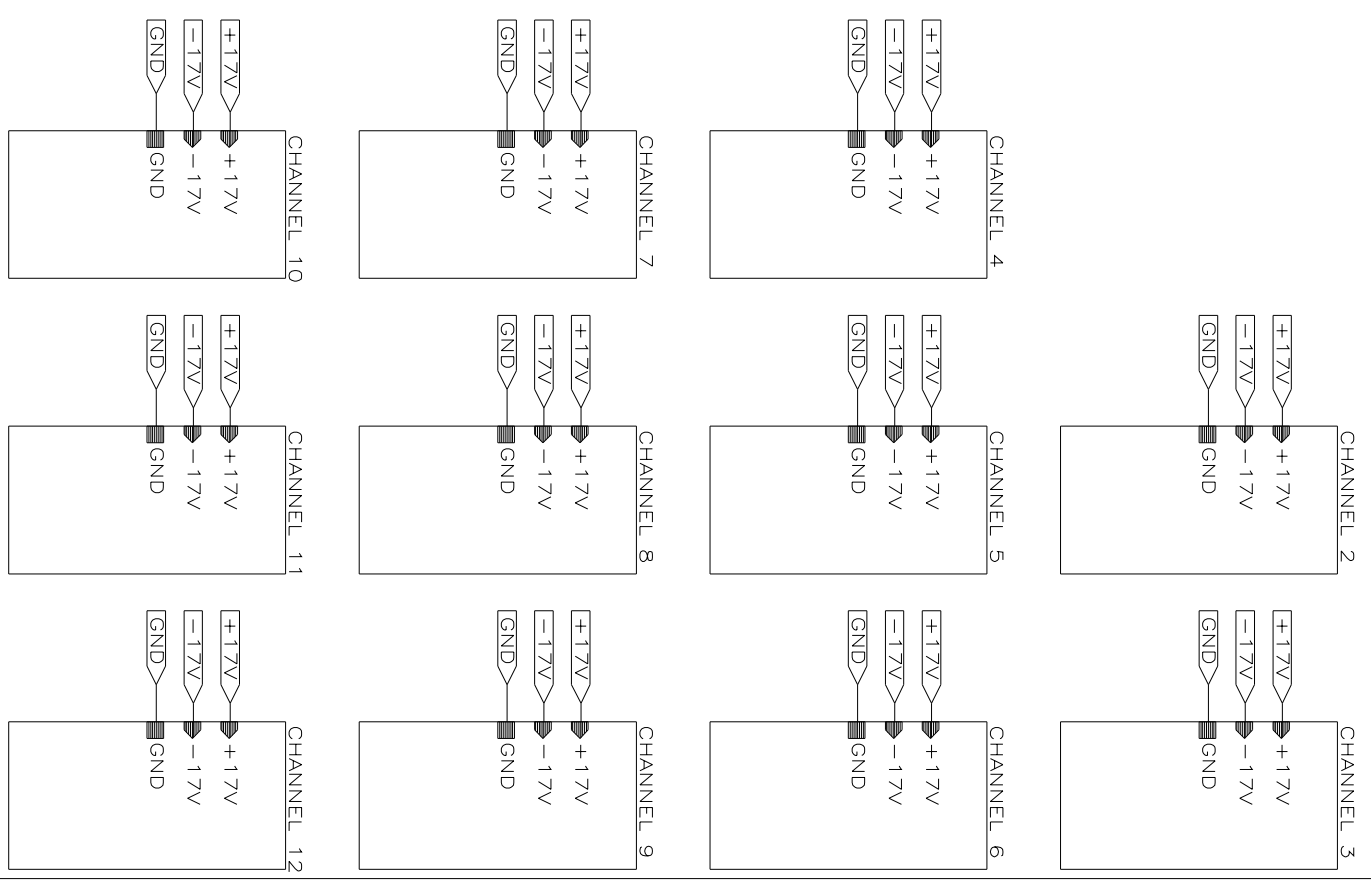
DDA, HOUNSLOW, MIDDX, TW3 2EB, ENGLAND.		
Title		
MODULE 12 WAY LED METER		
Size	Document Number	REV
A	CD1154-1	A
Date:	March 23, 1993	Sheet 1 of 1



CHANNELS 1 OF 12

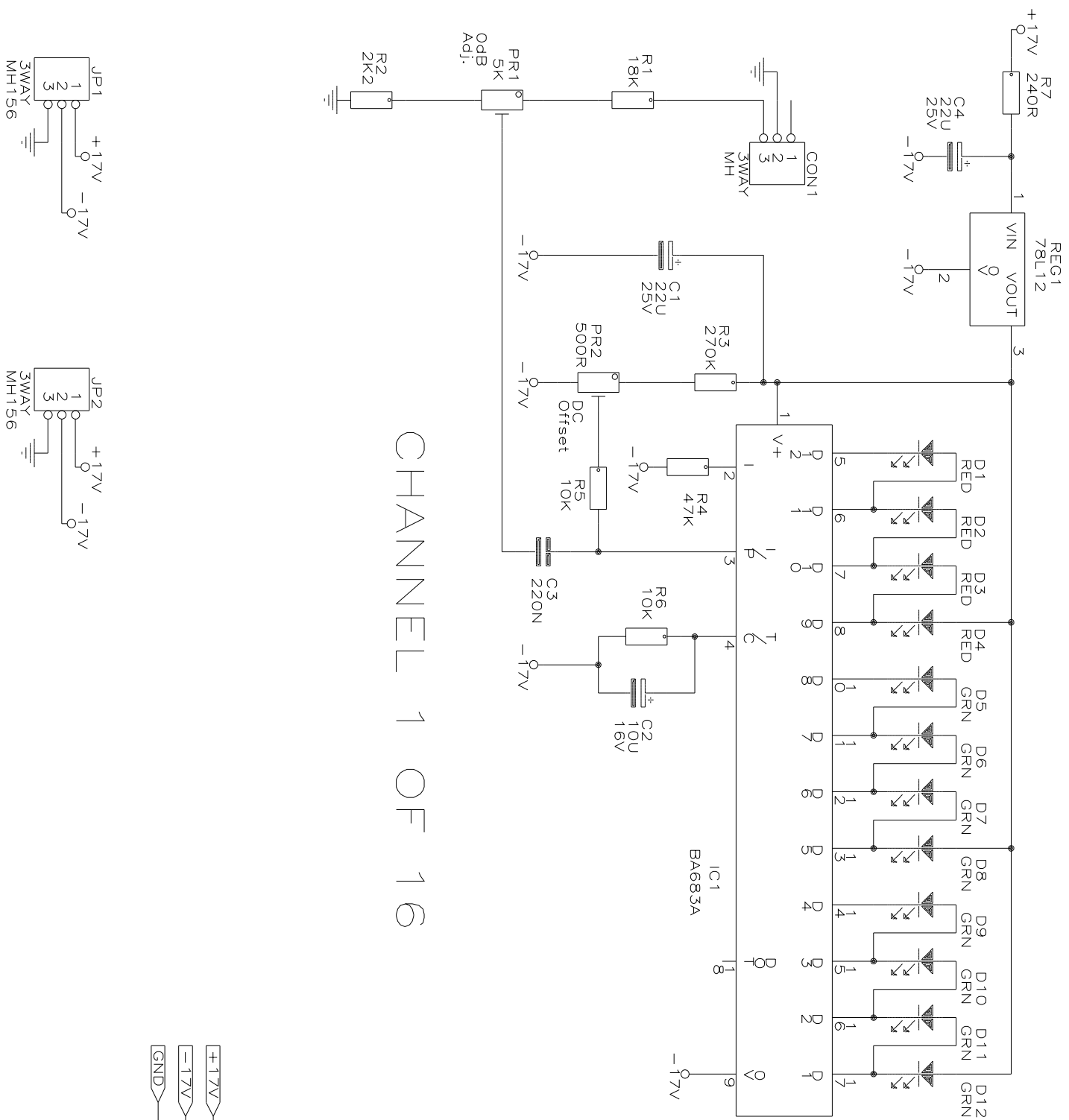


Power Input



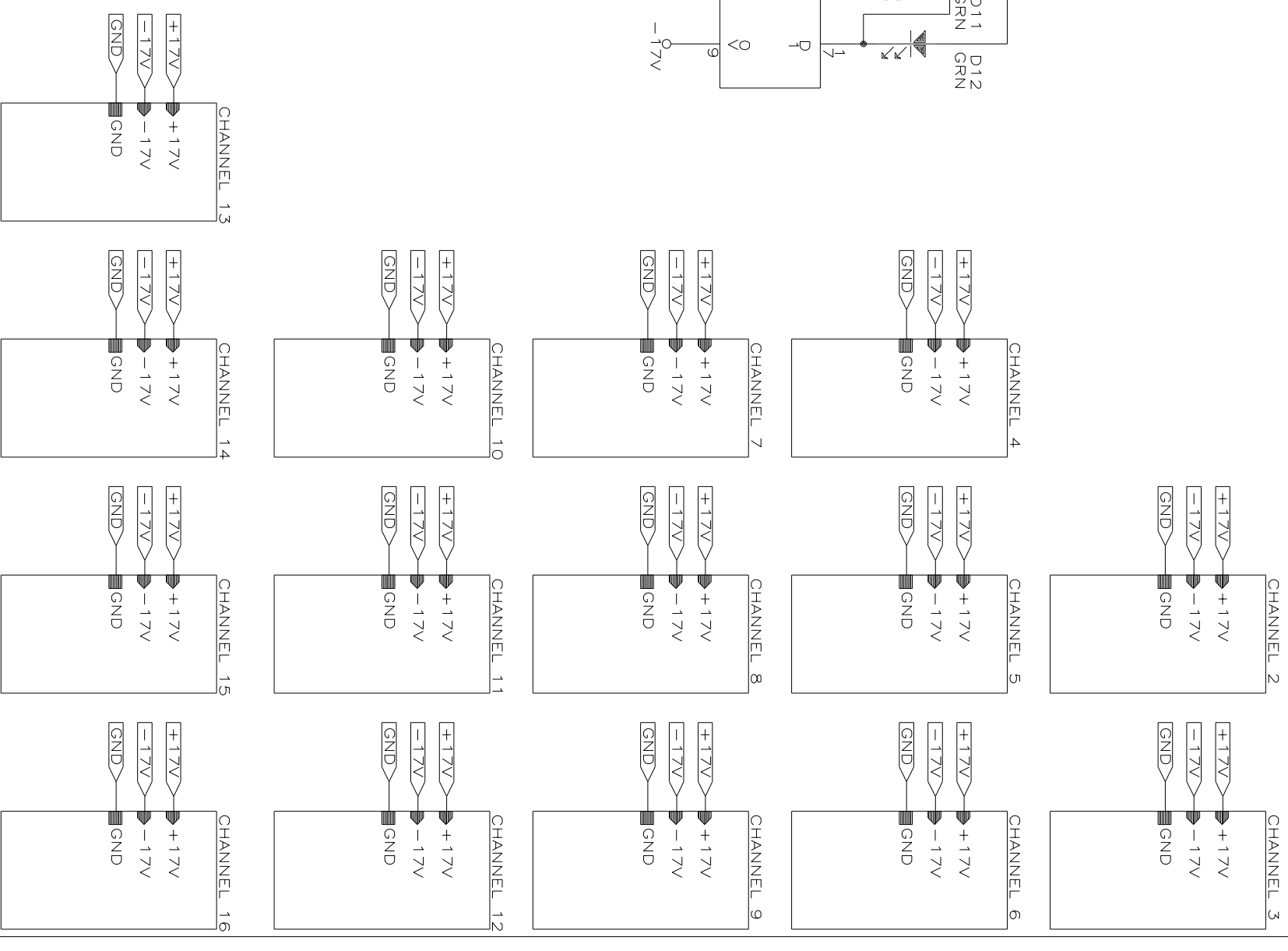
DDA LTD., HOUNSLOW, MIDD., TW3 2EB, ENGLAN
 TEL: (0)81 570 7161 FAX: (0)81 577 3677
 Title QMR 12 CHANNEL BARGRAPH
 Size Document Number PC1290-1
 B CD1166-1
 Date: July 7, 1993 Sheet 1 of 12

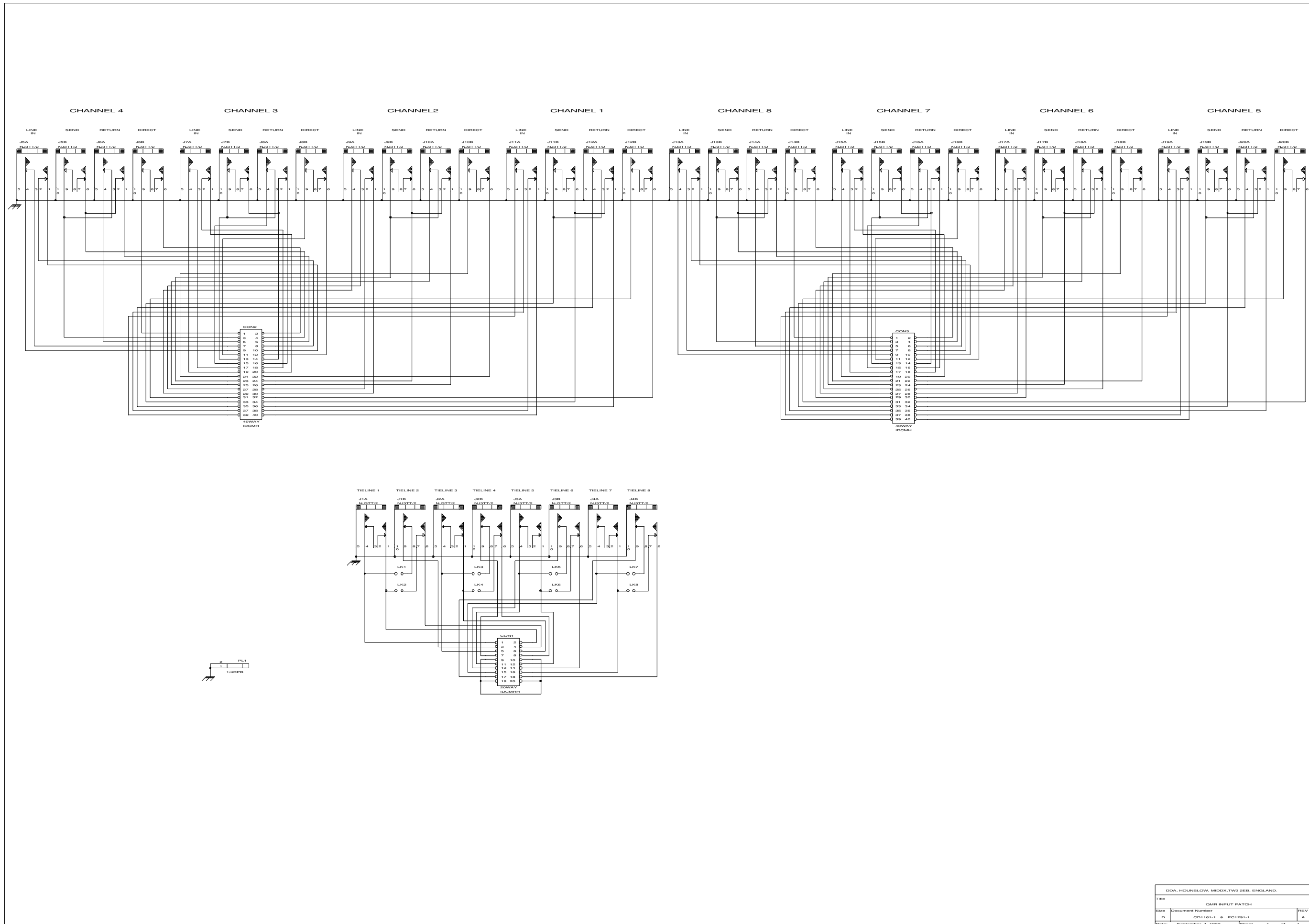
REV B

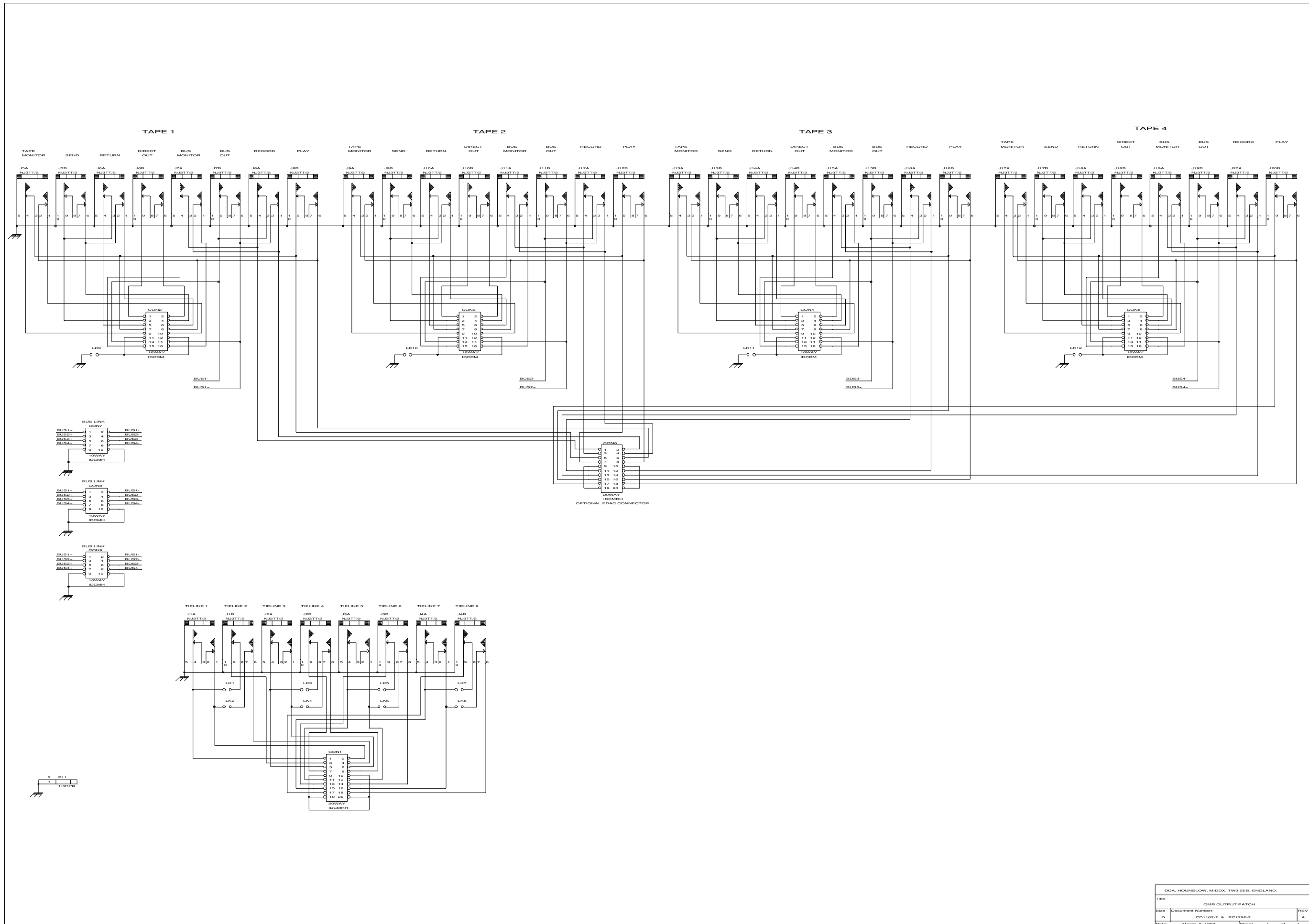


CHANNEL 1 OF 16

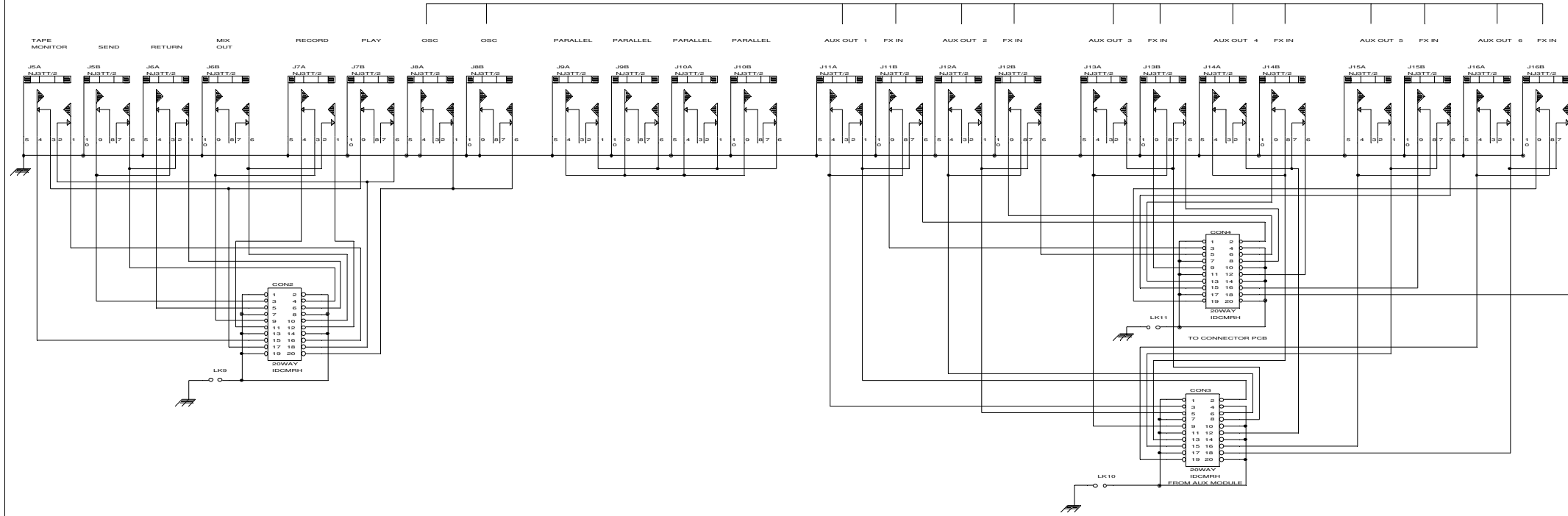
Power Input



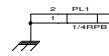
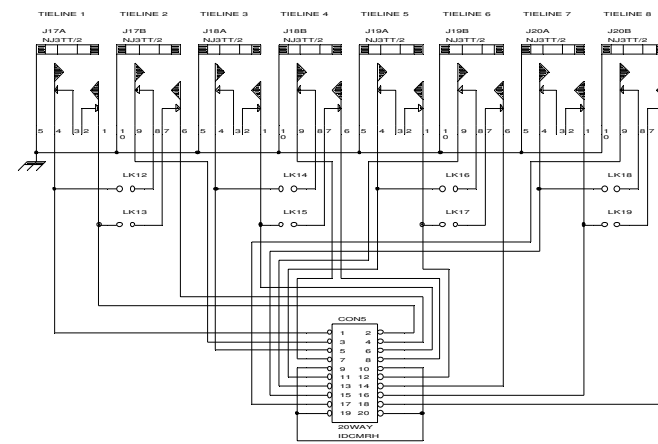
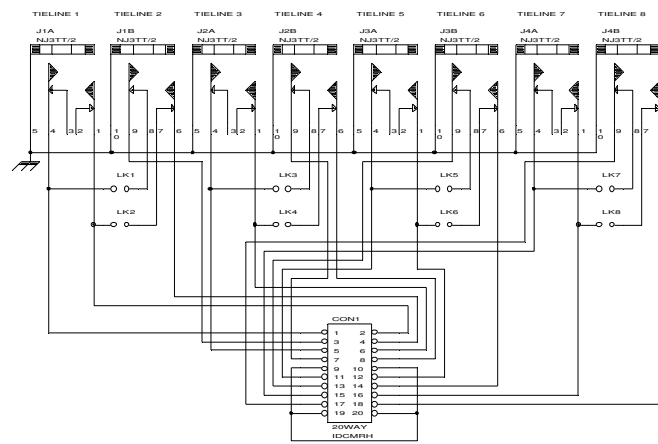


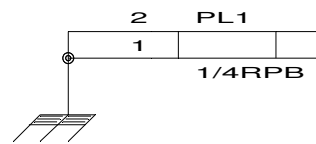
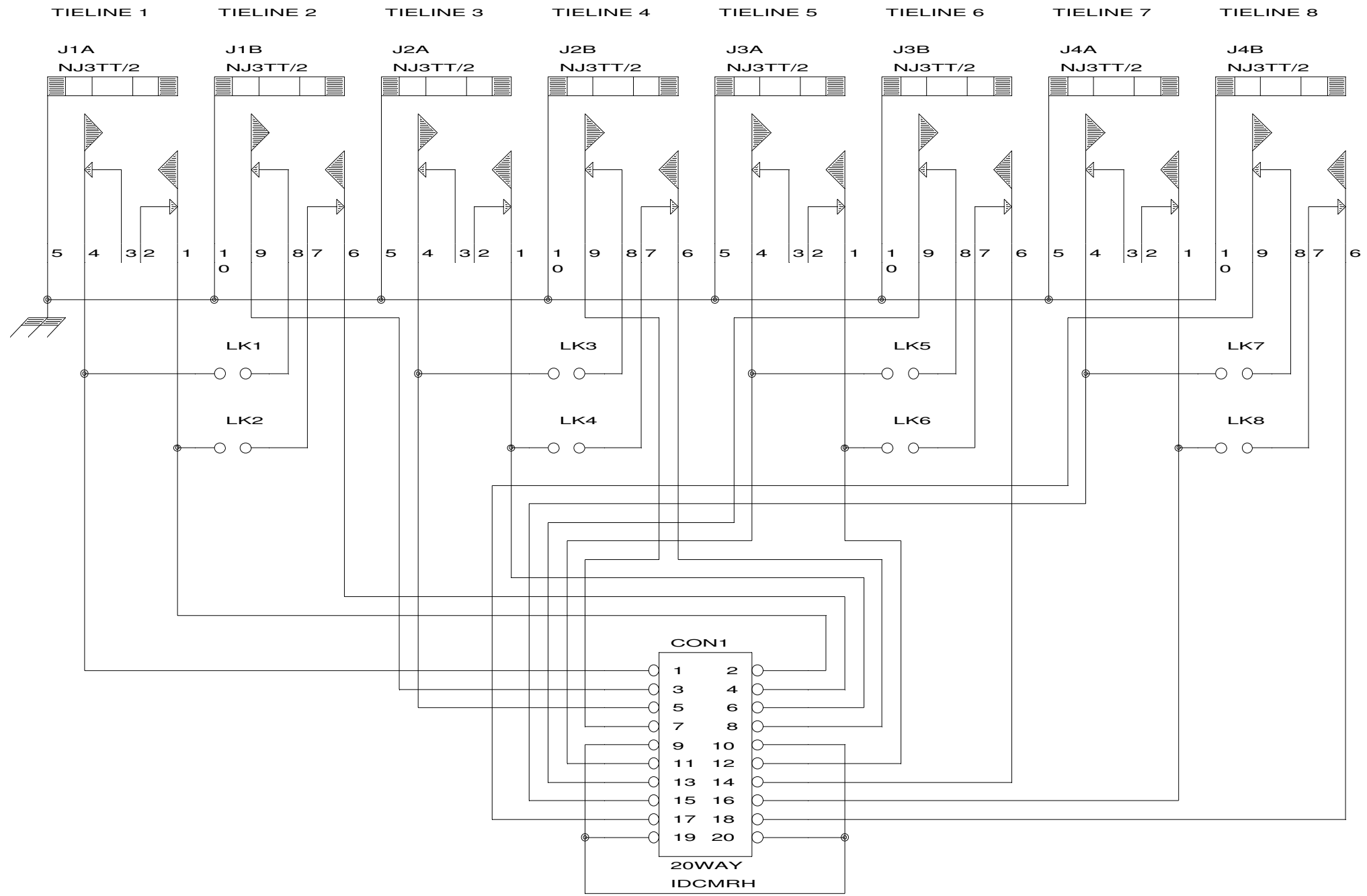


Not Fitted On Master L/H PCB.

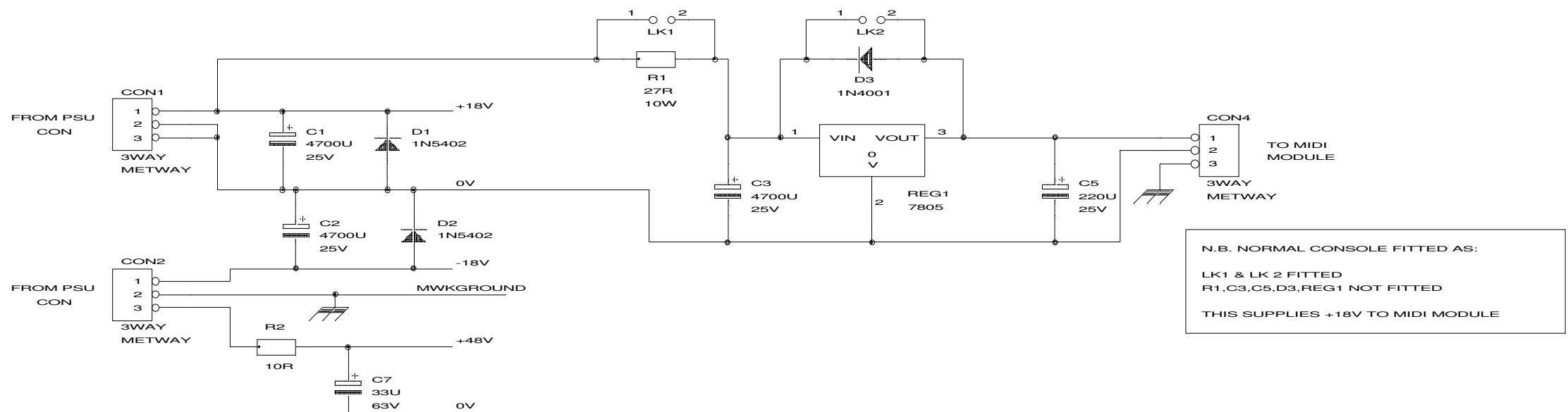


OPTIONAL TIELINES

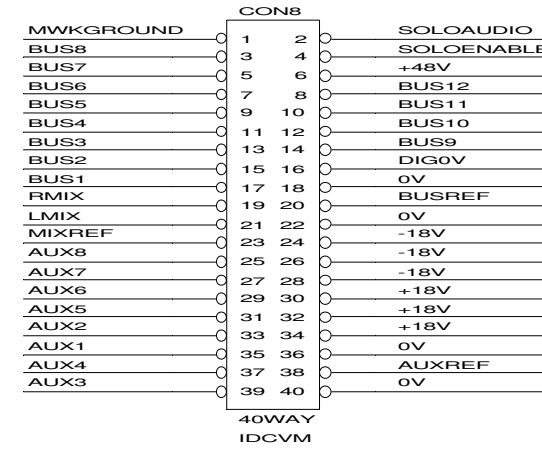
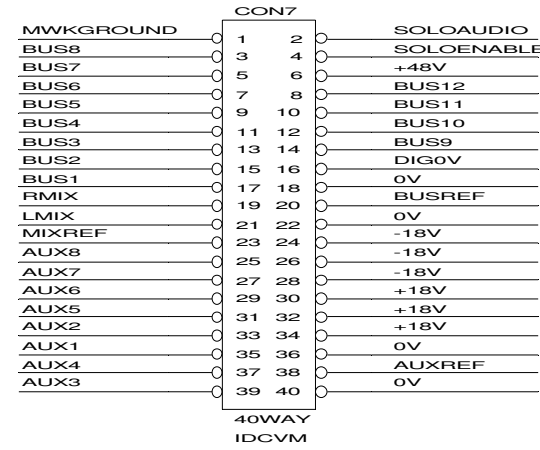
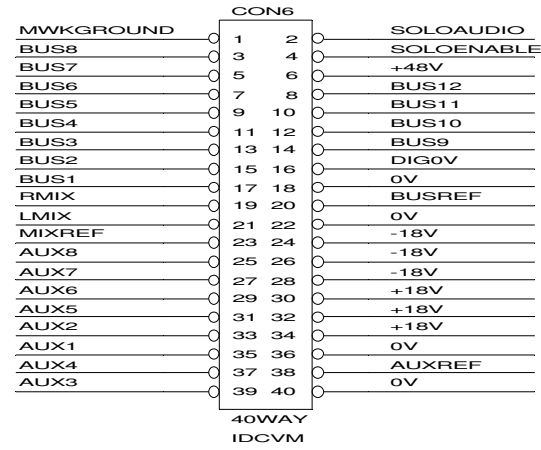
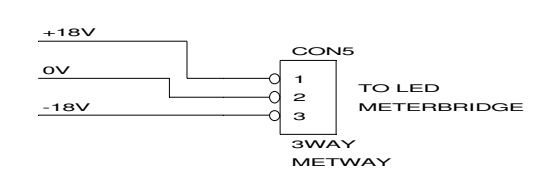
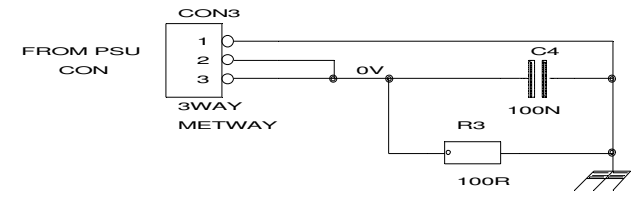


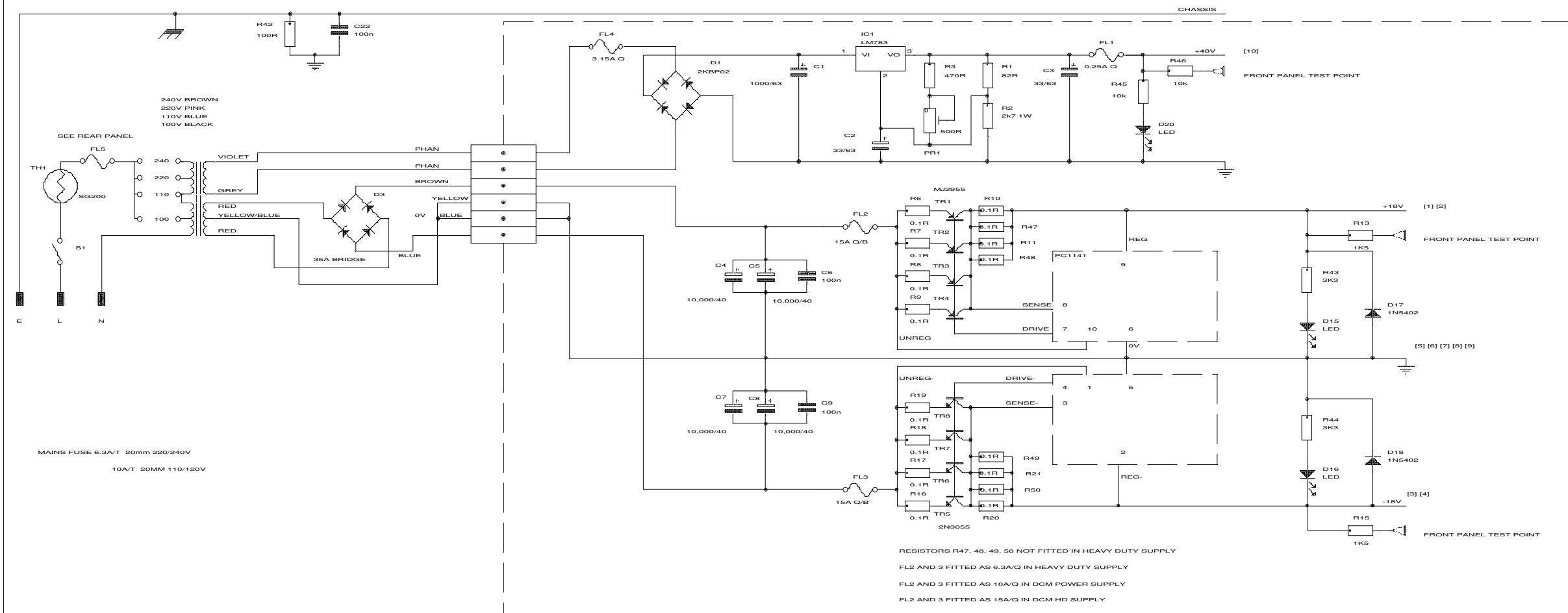


DDA, HOUNSLOW, MIDDX, TW3 2EB, ENGLAND.		
Title QMR TIELINE PATCH		
Size A	Document Number CD1164-1 & PC1294-1	REV A
Date: September 4, 1992	Sheet 1	of 1

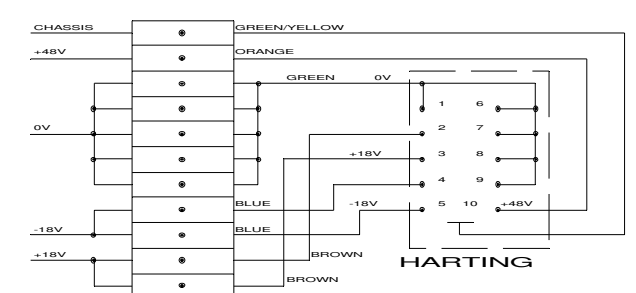
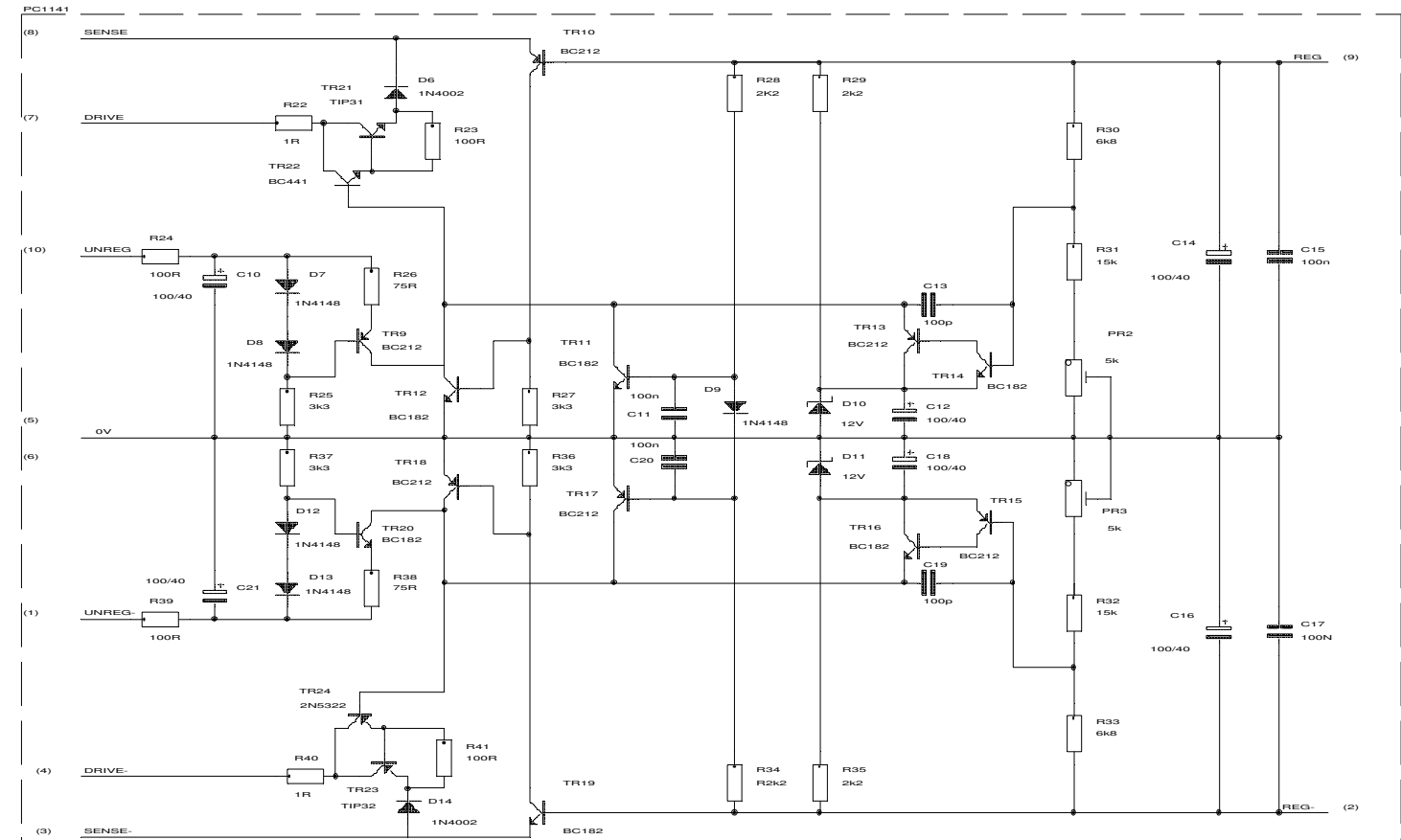


N.B. NORMAL CONSOLE FITTED AS:
 LK1 & LK2 FITTED
 R1,C3,C5,D3,REG1 NOT FITTED
 THIS SUPPLIES +18V TO MIDI MODULE

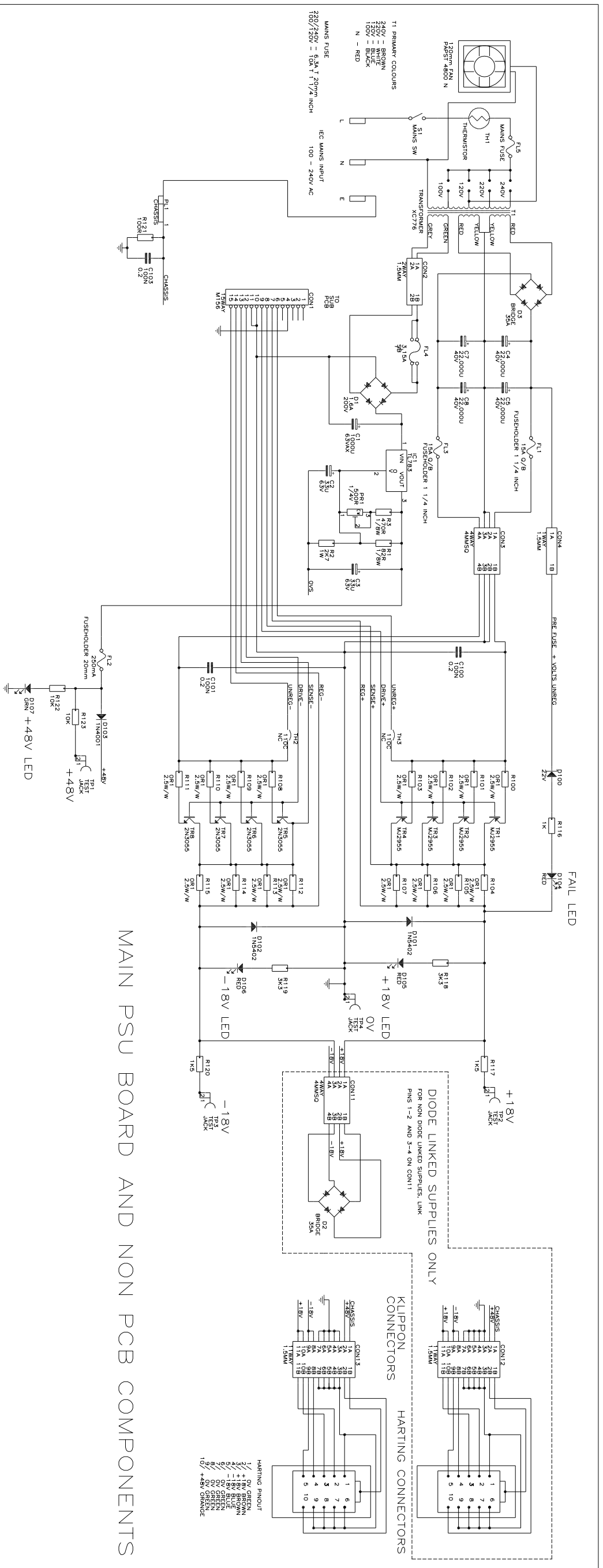




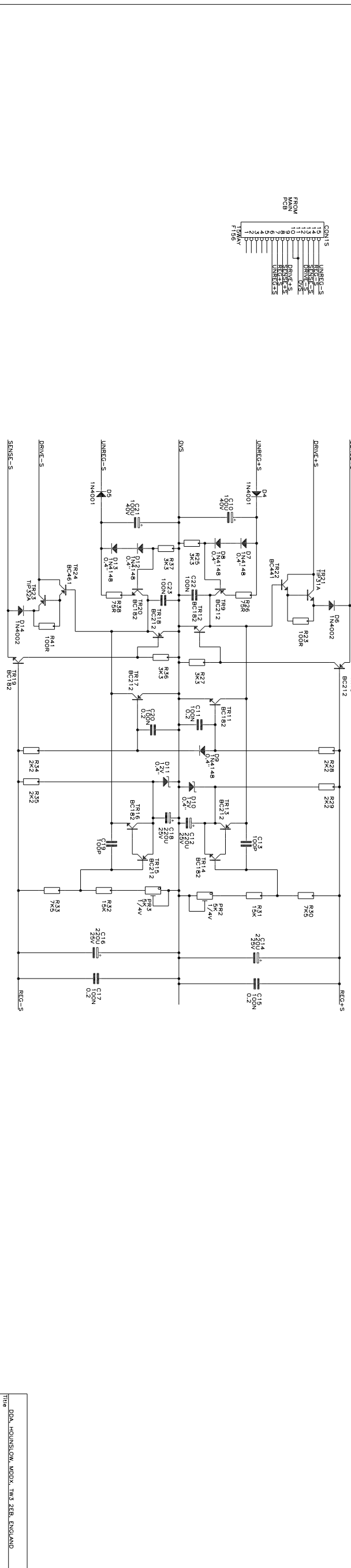
RESISTORS R47, 48, 49, 50 NOT FITTED IN HEAVY DUTY SUPPLY
 FL2 AND 3 FITTED AS 6.3A/Q IN HEAVY DUTY SUPPLY
 FL2 AND 3 FITTED AS 10A/Q IN DCM POWER SUPPLY
 FL2 AND 3 FITTED AS 15A/Q IN DCM HD SUPPLY



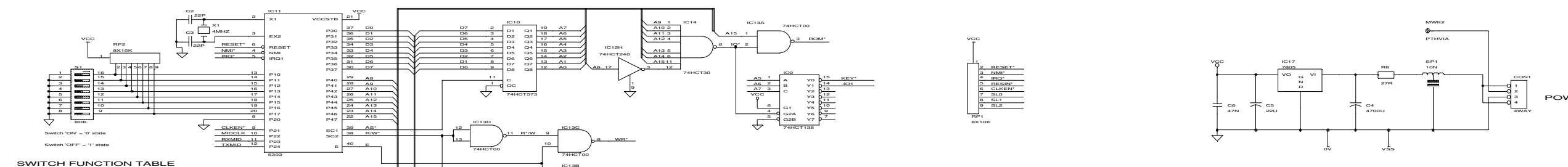
DDA LTD.			
Title	HD/DCM/DCM HD AUDIO POWER SUPPLY		
Size	Document Number	CD1219-1	REV
C			A
Date:	December 14, 1993	Sheet	1 of 1



PLUG-IN CONTROL BOARD



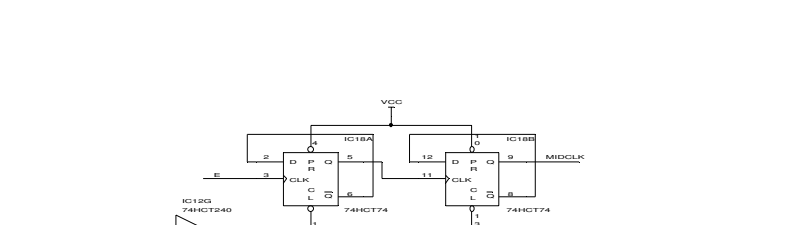
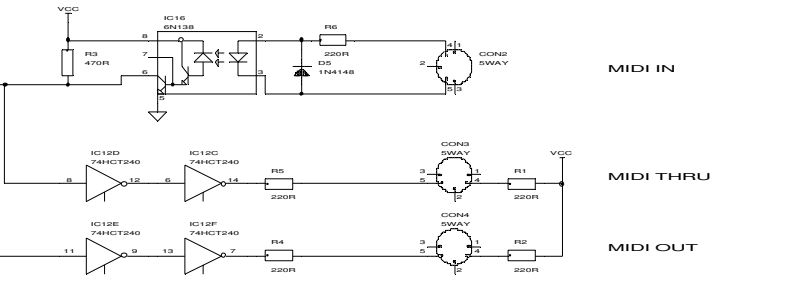
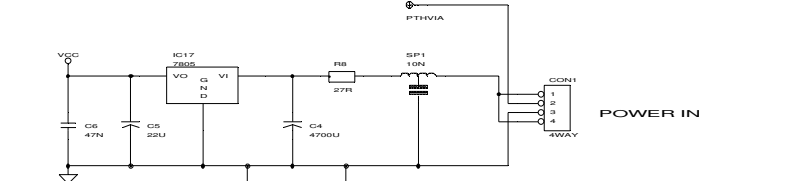
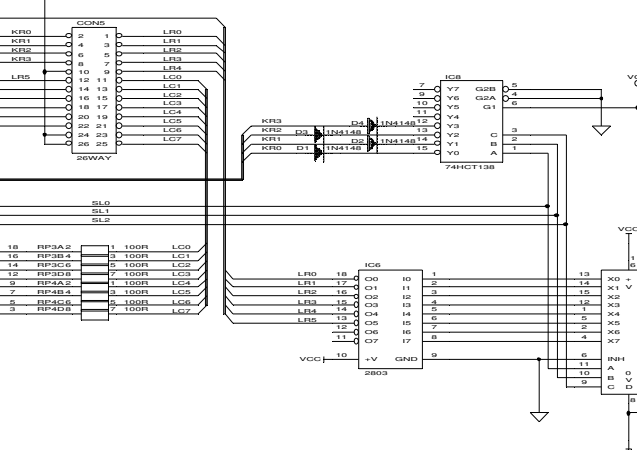
Title	DDA, HOUNSLOW, MODX, TW3, 2EB, ENGLAND
Size	PSU 1500 COMPLETE
Document Number	CD/265-1
Rev	1
Date	February 15, 1998
Sheet	1 of 1



SWITCH FUNCTION TABLE

Sm	"ON" function	"OFF" function
1		
2		
3		
4	Add 21 to note number	No note offset
5	Mute Off = velocity 0	Mute Off = velocity 1
6	ByteEx rep rate = 2.5 sec	ByteEx rep rate = 1 sec
7	Respond "ALL NOTES OFF"	Ignore "ALL NOTES OFF"
8	Controller data sent	Note ON/OFF data sent

KEYBOARD INTERFACE



CHANNEL 1 - 16

CHANNEL 17 - 32

CHANNELS 33 - 48

CHANNELS 49 - 64

