

S & M Series

Schematics

Klark Teknik Building
Walter Nash Road
Kidderminster
Worcestershire
DY11 7HJ

Tel: +44 (0) 1562 741515

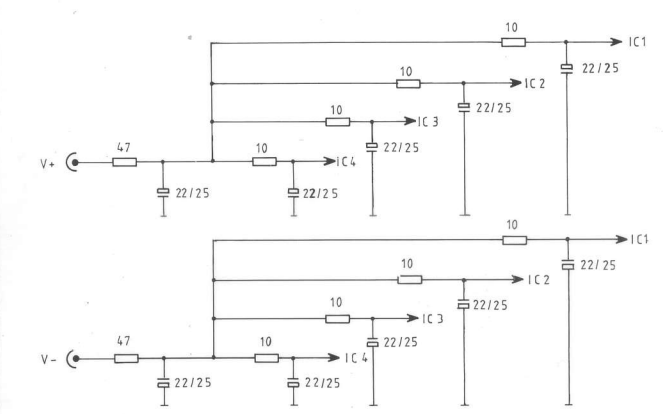
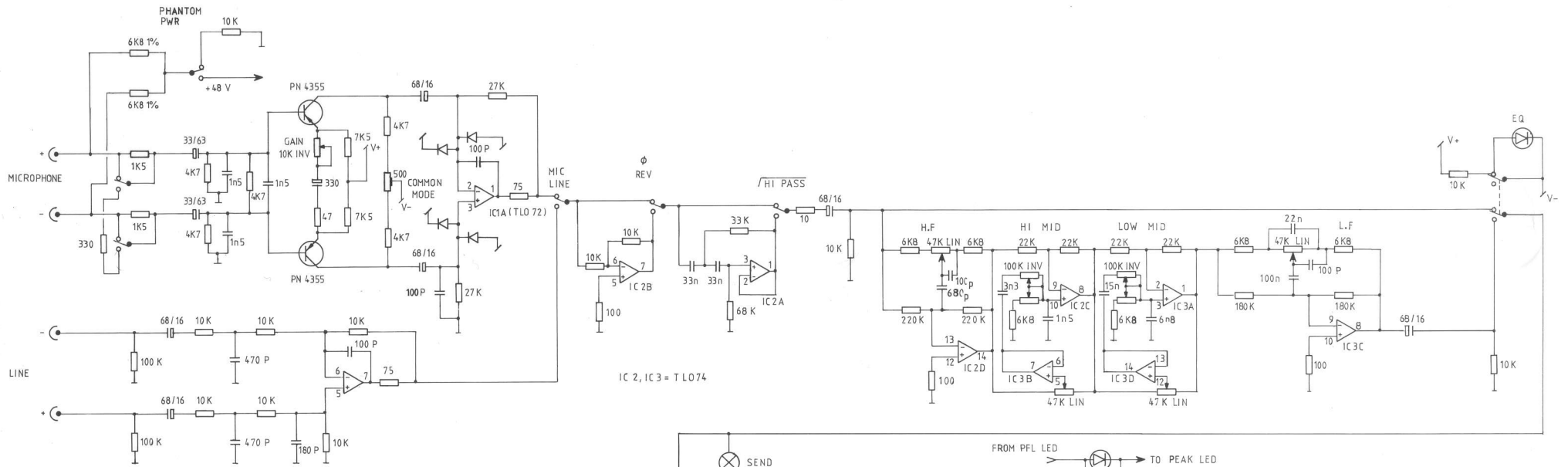
Fax: +44 (0) 1562 745371

Email: info@uk.telex.com

Website: www.ddaconsoles.com

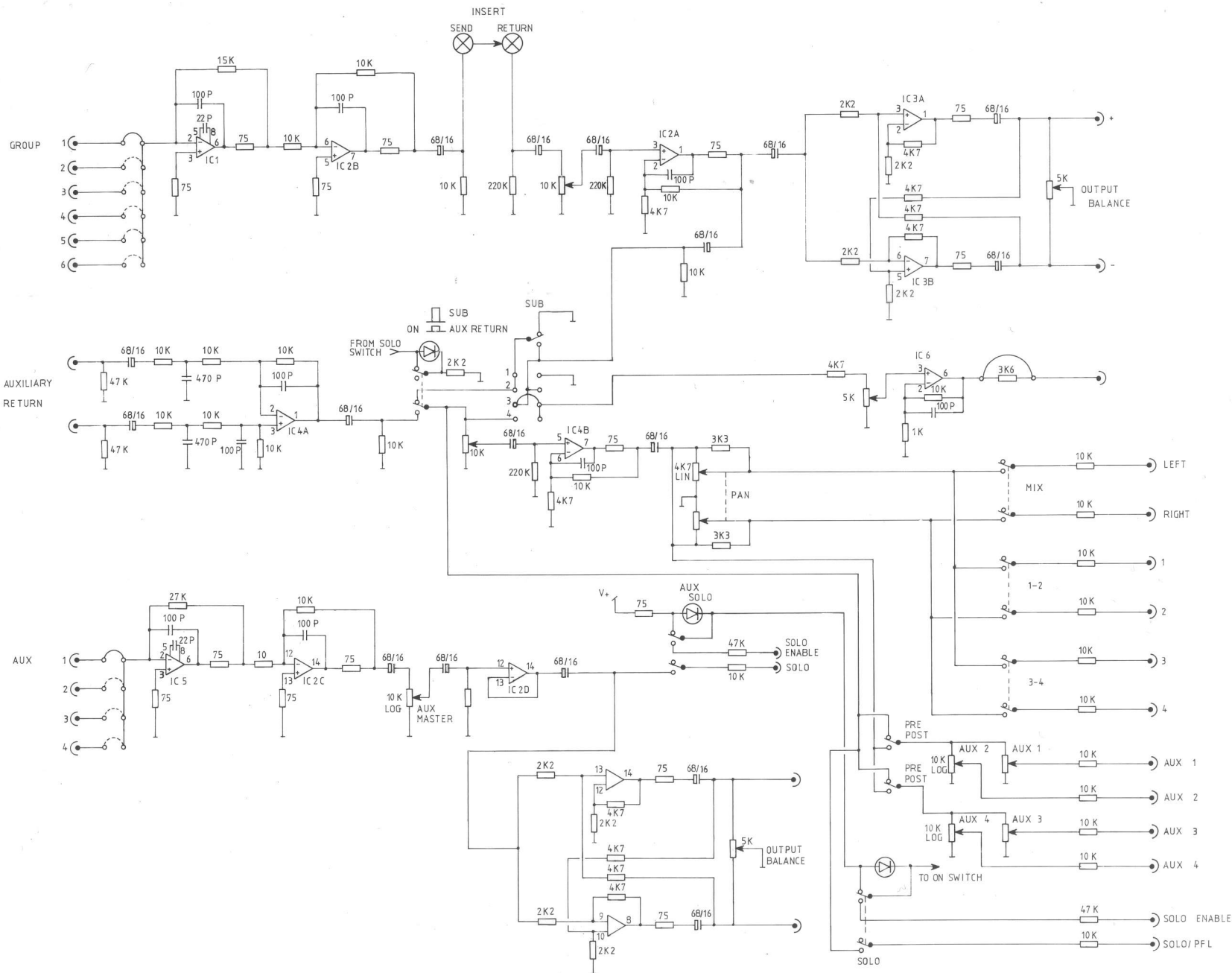
S & M Series Schematics
© Telex Communications (UK) Limited

In line with the company's policy of continual improvement, specifications and function maybe subject to change without notice. This Operator Manual was correct at the time of writing. E&OE.



No.	DESCRIPTION	CHKD	APPD	DATE
ALTERATIONS				

TITLE					
M SERIES INPUT MODULE					
DRAWN	TRACED	CHECKED	APPROVED	DATE	SCALE
m.m.					
DRAWING No. CD 1003					



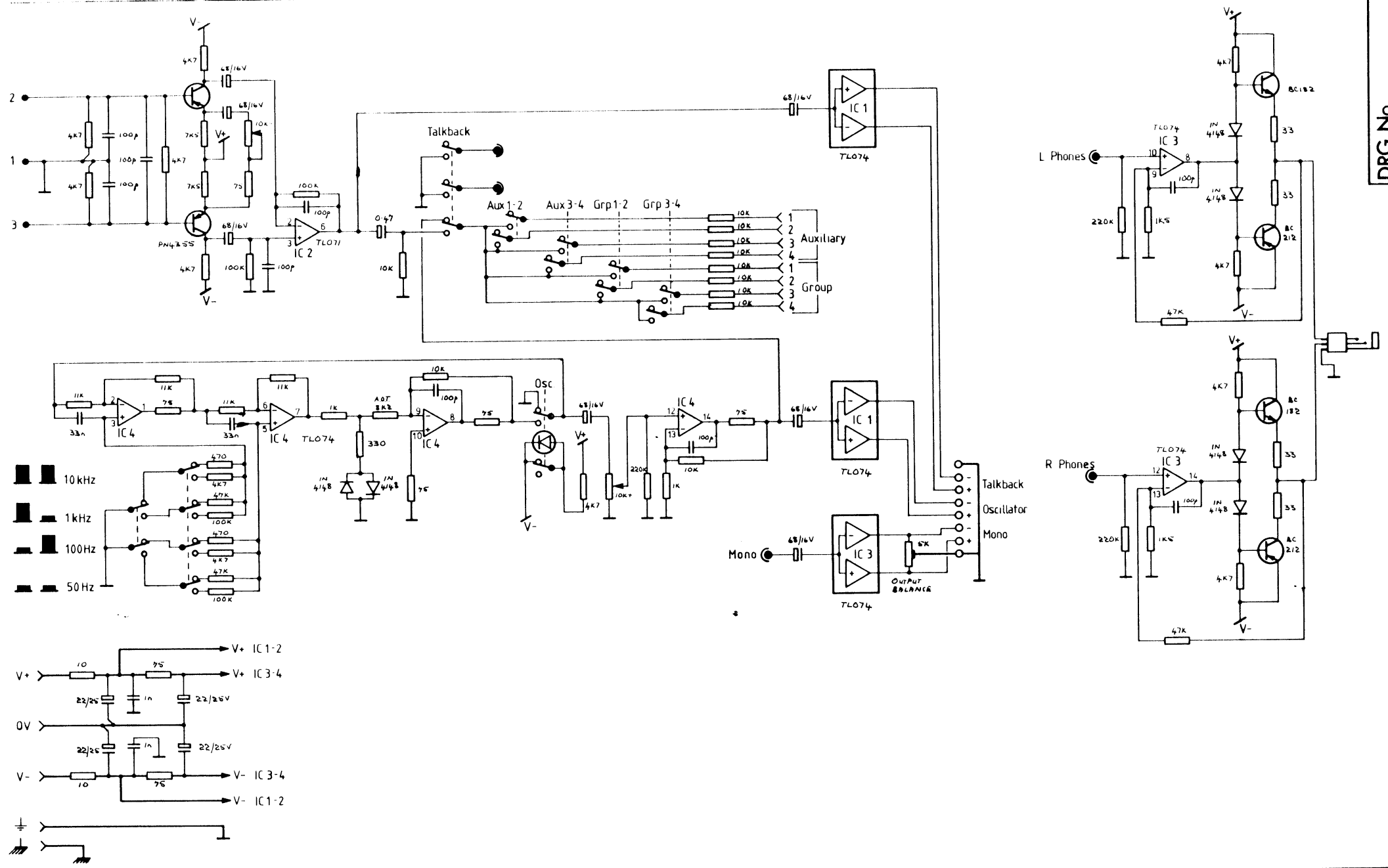
IC 1-NE 5534
 IC 2-TL074
 IC 3-TL074
 IC 4-TL072
 IC 5-NE 5534

No.	DESCRIPTION	CHK'D	APP'D	DATE
ALTERATIONS				

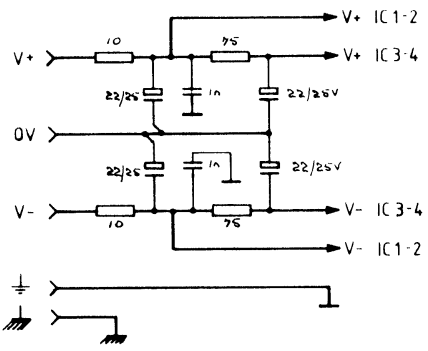
TITLE
 M SERIES OUTPUT MODULE

DRAWN	TRACED	CHECKED	APPROVED	DATE	SCALE
m.m.					

DRAWING No. CD 1004



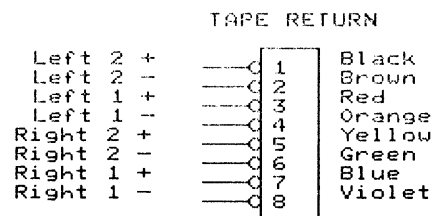
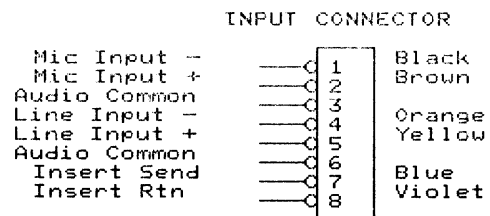
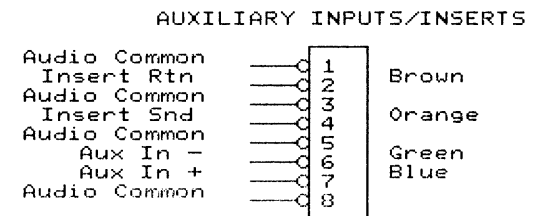
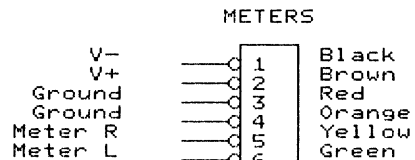
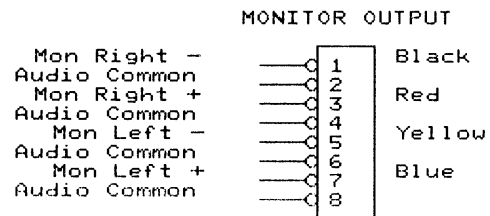
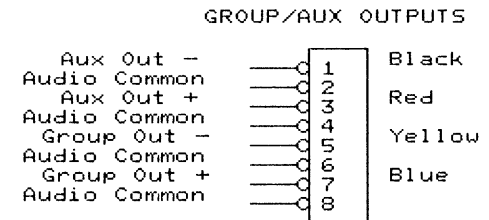
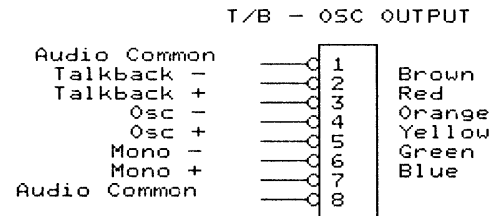
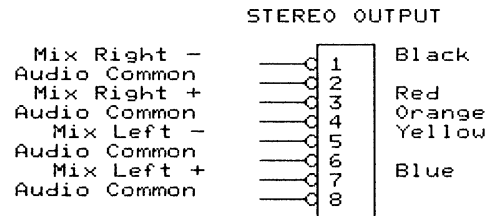
- 10 kHz
- 1 kHz
- 100 Hz
- 50 Hz



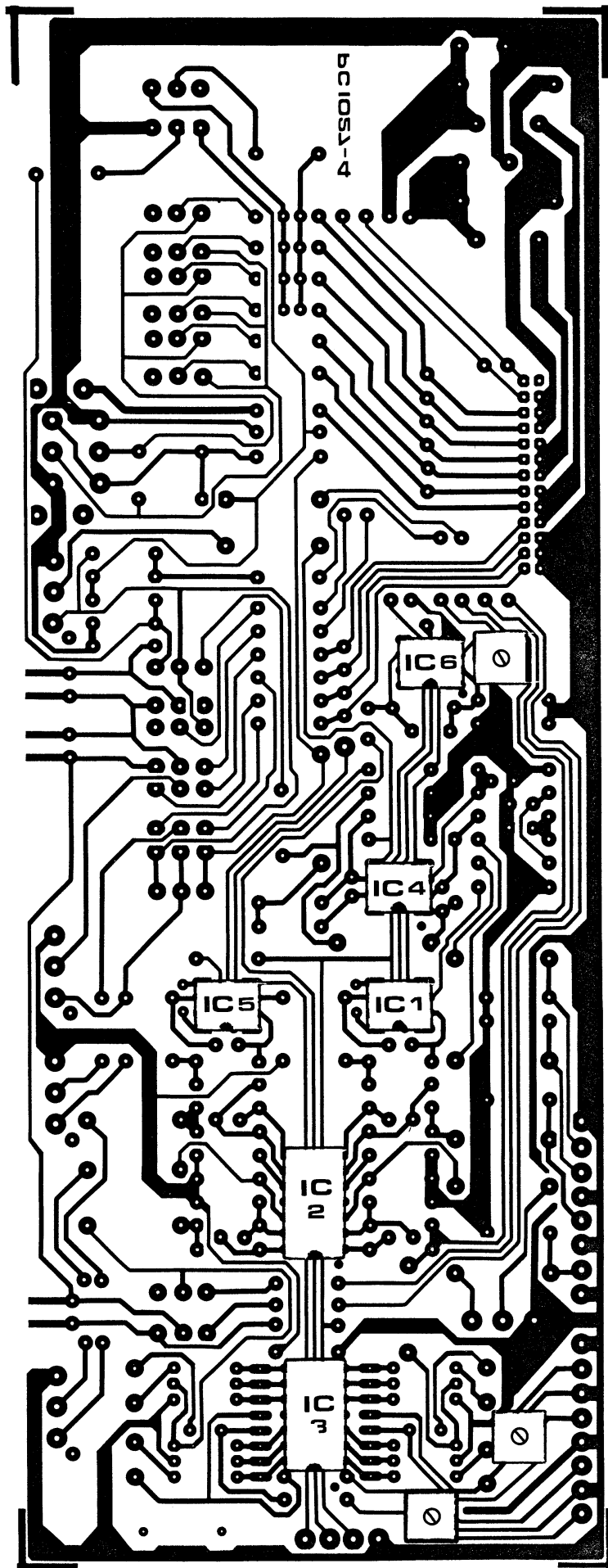
- PCB Mount XLR
- PCB Interconnection
- IDC Connector

No	DESCRIPTION	CHKD	APPD	DATE
REVISIONS				

DRAWN	TRACED	CHECKED	APPROVED	DATE	SCALE
TITLE M SERIES MASTER (SUB)					
DRAWING No. CD 1006					



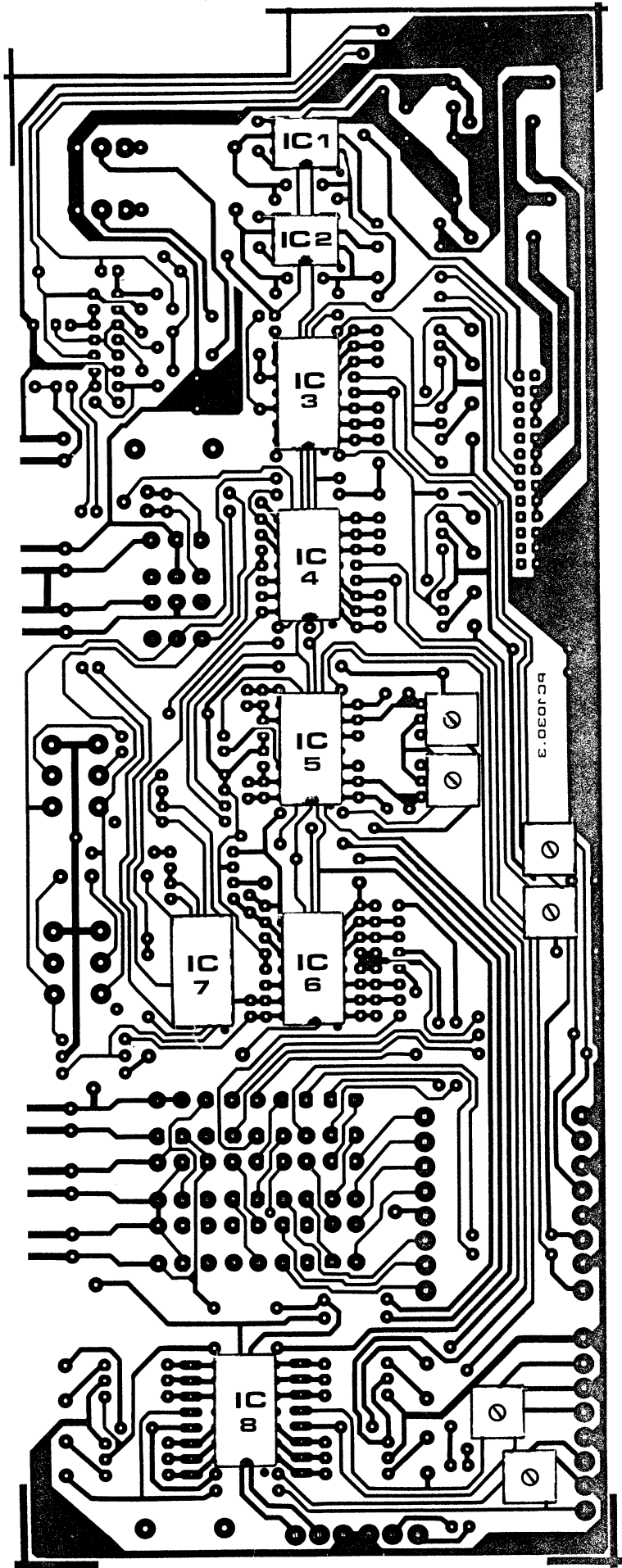
Size	Document Number	REV
A	S SERIES CONNECTORS (PCB)	1
Date: November 13, 1989 Sheet 1 of 1		



METER
CAL.

GROUP
OUTPUT BAL.
AUXILIARY

S JB GROUP

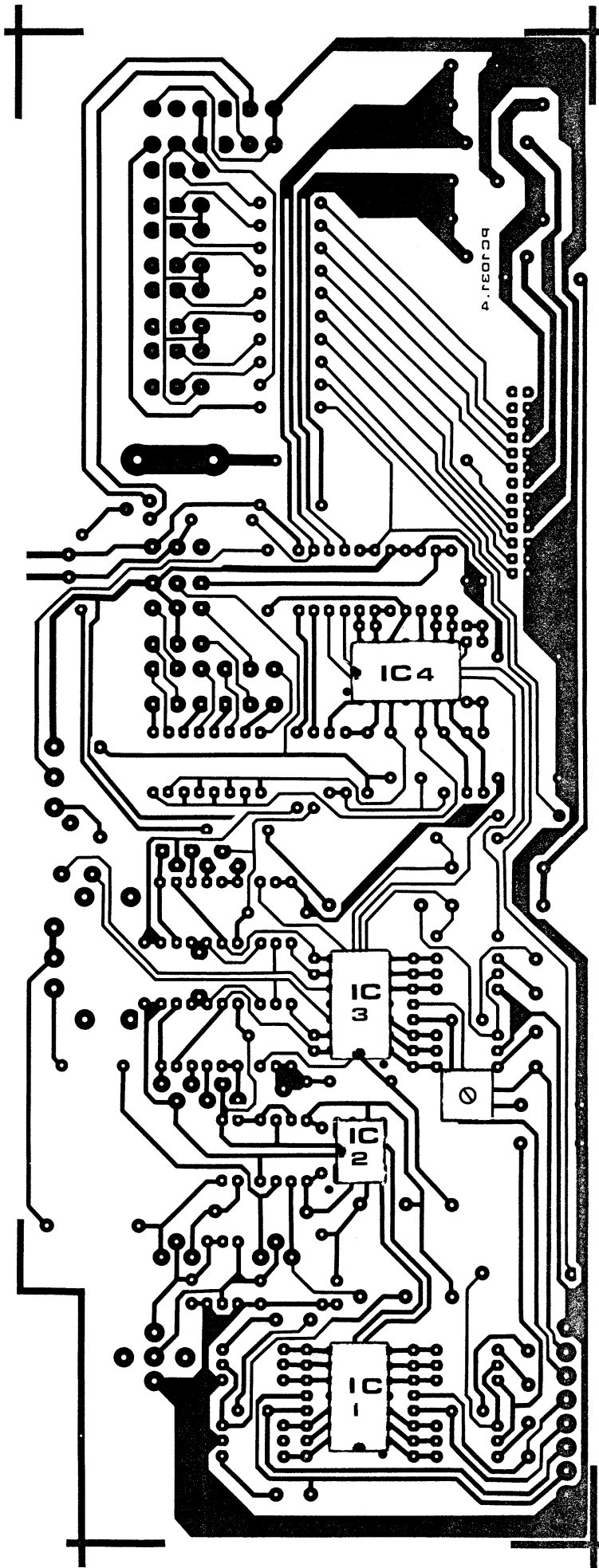


L
R
METER

L
R
MIX

L
R
MONITOR

MASTER



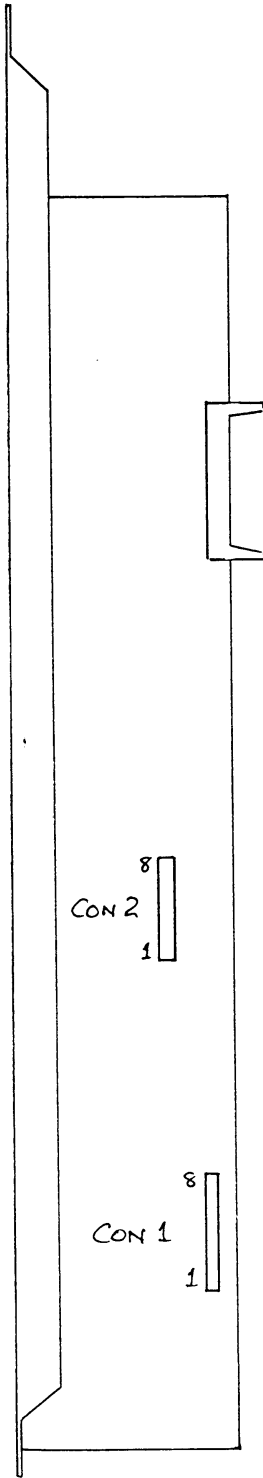
MONO
OUTPUT BAL.

MASTER SUB



a Klark-Teknik Company

M/S SERIES AUX MASTER MODULE



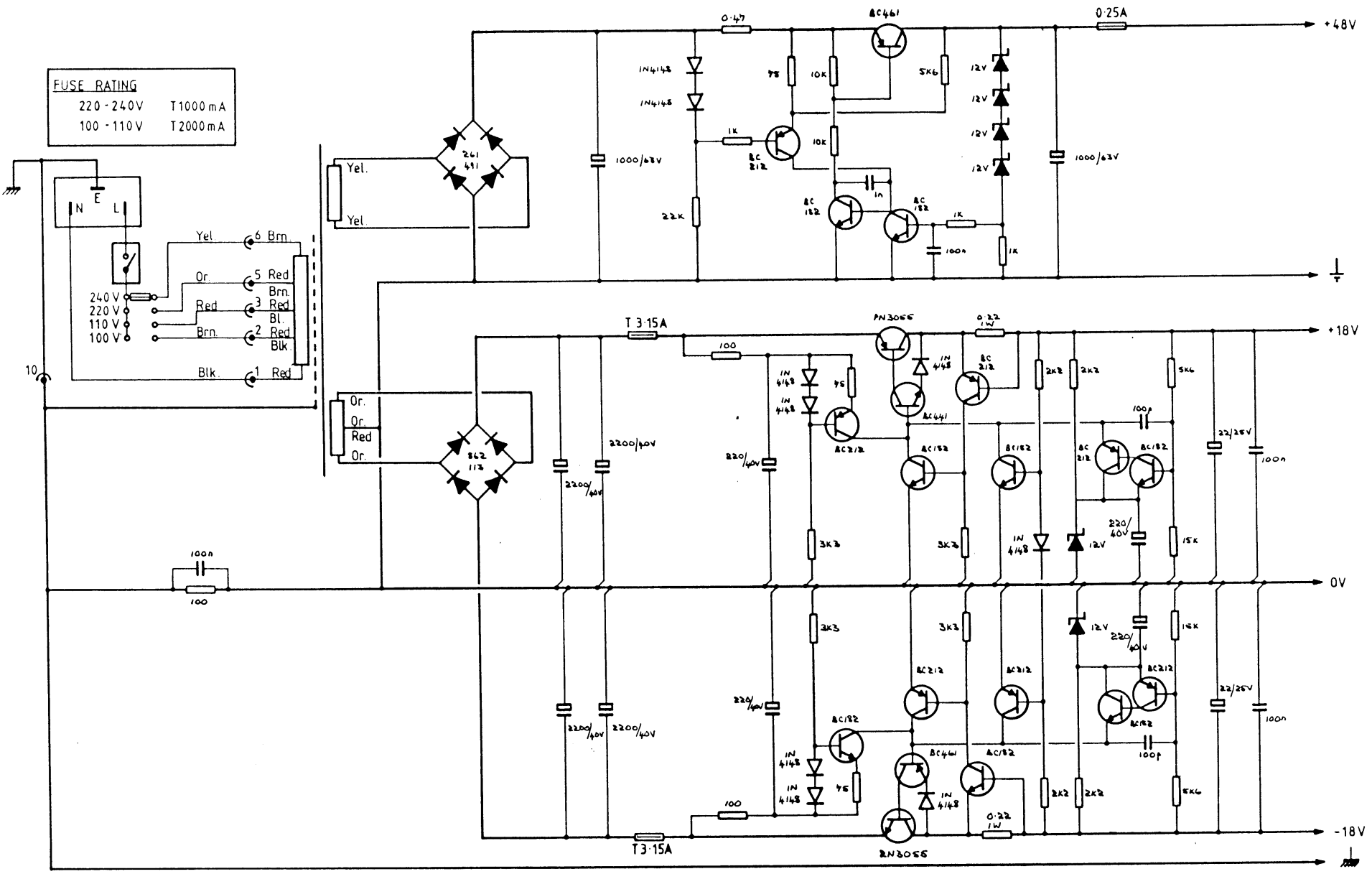
CON 1.
Auxiliary Sends.

Pin	1	+	
			Aux 1
	2	-	
	3	+	
			Aux 2
	4	-	
	5	+	
			Aux 3
	6	-	
	7	+	
			Aux 4
	8	-	

CON 2.
Aux. Returns.

Pin	1	+	
			Ret 1
	2	-	
	3	+	
			Ret 2
	4	-	
	5	+	
			Ret 3
	6	-	
	7	+	
			Ret 4
	8	-	



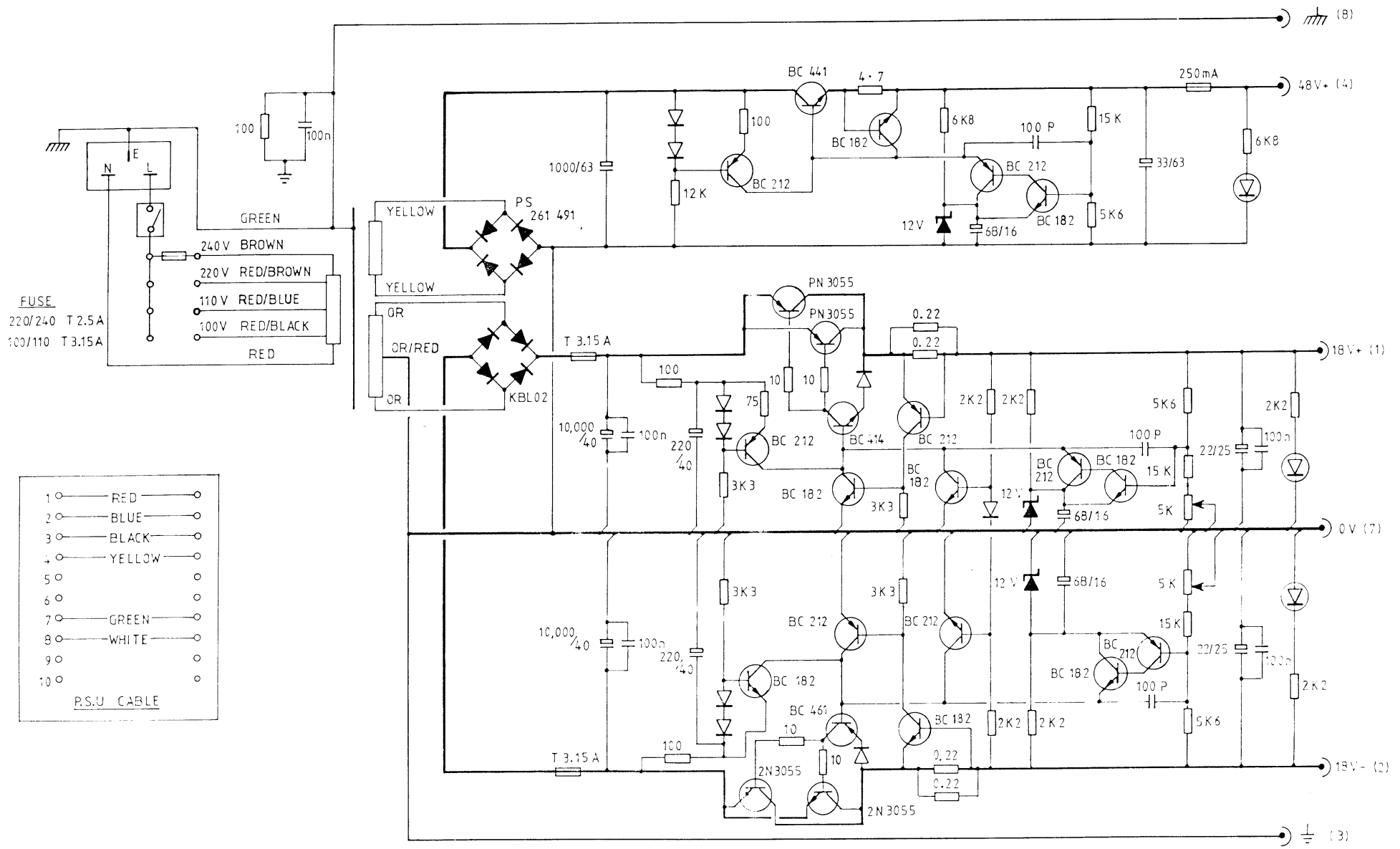


FUSE RATING	
220 - 240V	T1000 mA
100 - 110V	T2000 mA

No.	DESCRIPTION	CHKD.	APPD.	DATE

REVISIONS

DRAWN	TRACED	CHECKED	APPROVED	DATE	SCALE
TITLE M SERIES POWER SUPPLY					
DRAWING No. CD 1007					



- | | |
|----|--------|
| 1 | RED |
| 2 | BLUE |
| 3 | BLACK |
| 4 | YELLOW |
| 5 | |
| 6 | |
| 7 | GREEN |
| 8 | WHITE |
| 9 | |
| 10 | |
- P.S.U. CABLE

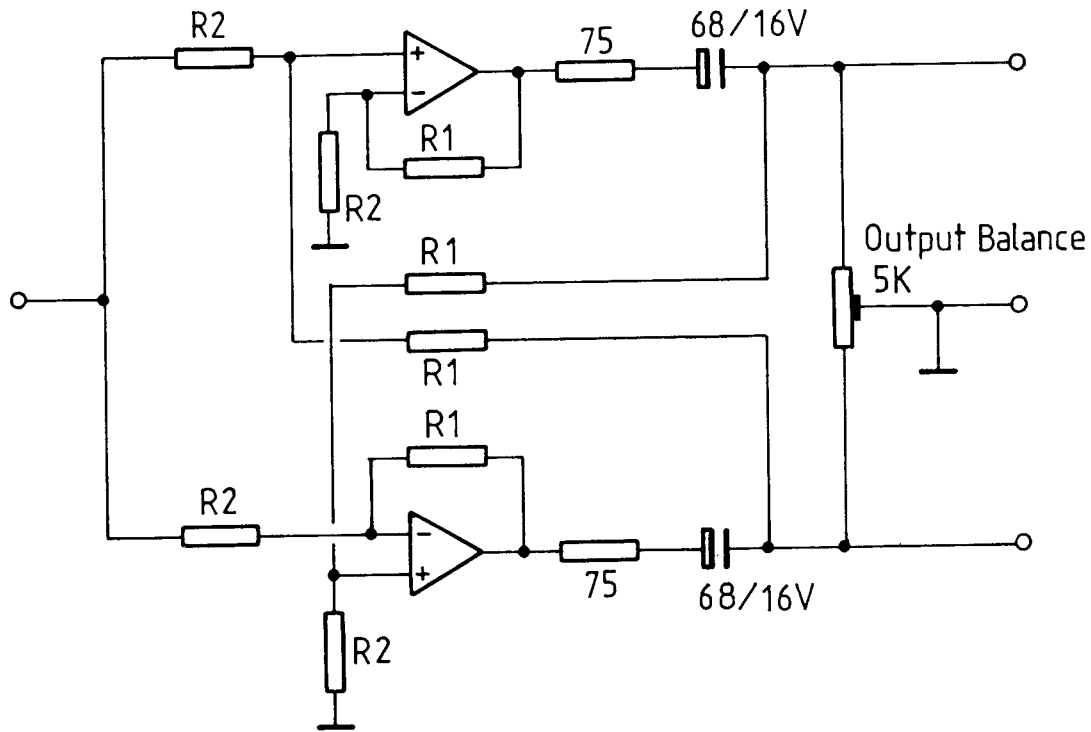
No	DESCRIPTION	CHKD	APPD	DATE

REVISIONS

TITLE
External PSU.

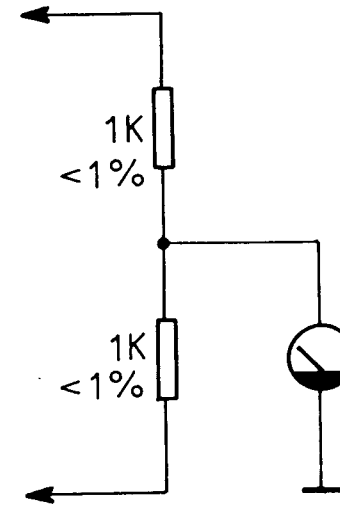
DRAWN	TRACED	CHECKED	APPROVED	DATE	SCALE
m.m.					

DRAWING No. CD 1014



$$\text{GAIN} = \frac{R1}{R2}$$

R1 = 4K7 SIL (Typ.)
R2 = 2K2 (Typ)



Set O/P Balance
for minimum output
at 1kHz.
Typ. -40 dBv

OUTPUT BALANCE ADJUST

DRAWN	TRACED	CHECKED	APPROVED	DATE	SCALE
TITLE BALANCED OUTPUT					
DRAWING No.		CD 1008			