

# **S Series Monitor**

Schematics

Klark Teknik Building  
Walter Nash Road  
Kidderminster  
Worcestershire  
DY11 7HJ

Tel: +44 (0) 1562 741515

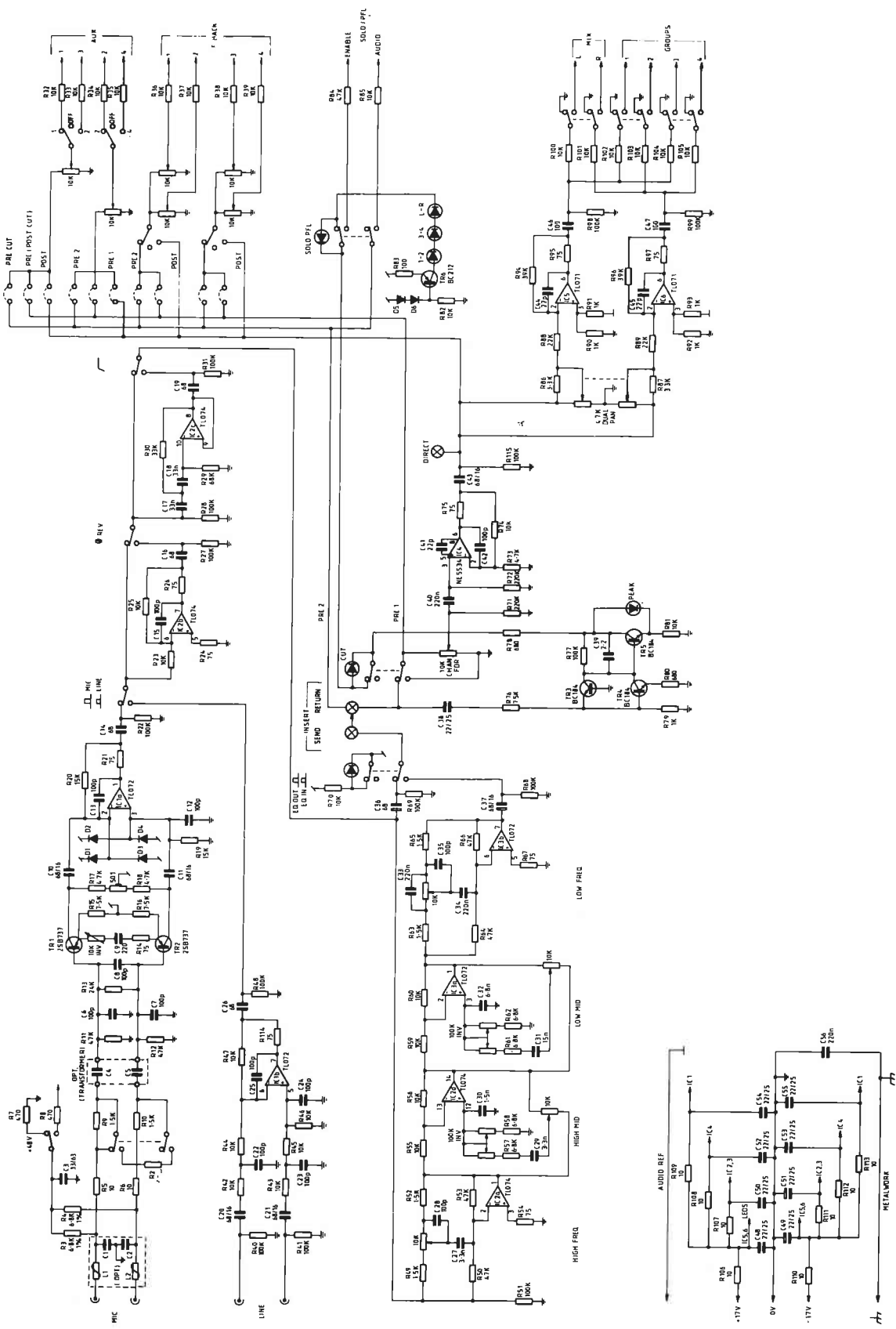
Fax: +44 (0) 1562 745371

Email: [info@uk.telex.com](mailto:info@uk.telex.com)

Website: [www.ddaconsole.com](http://www.ddaconsole.com)

S Series Monitor Schematics  
© Telex Communications (UK) Limited

In line with the company's policy of continual improvement, specifications and function maybe subject to change without notice. This Operator Manual was correct at the time of writing. E&OE.



S Series PA - Input Module Circuit

REV	DATE	DESCRIPTION

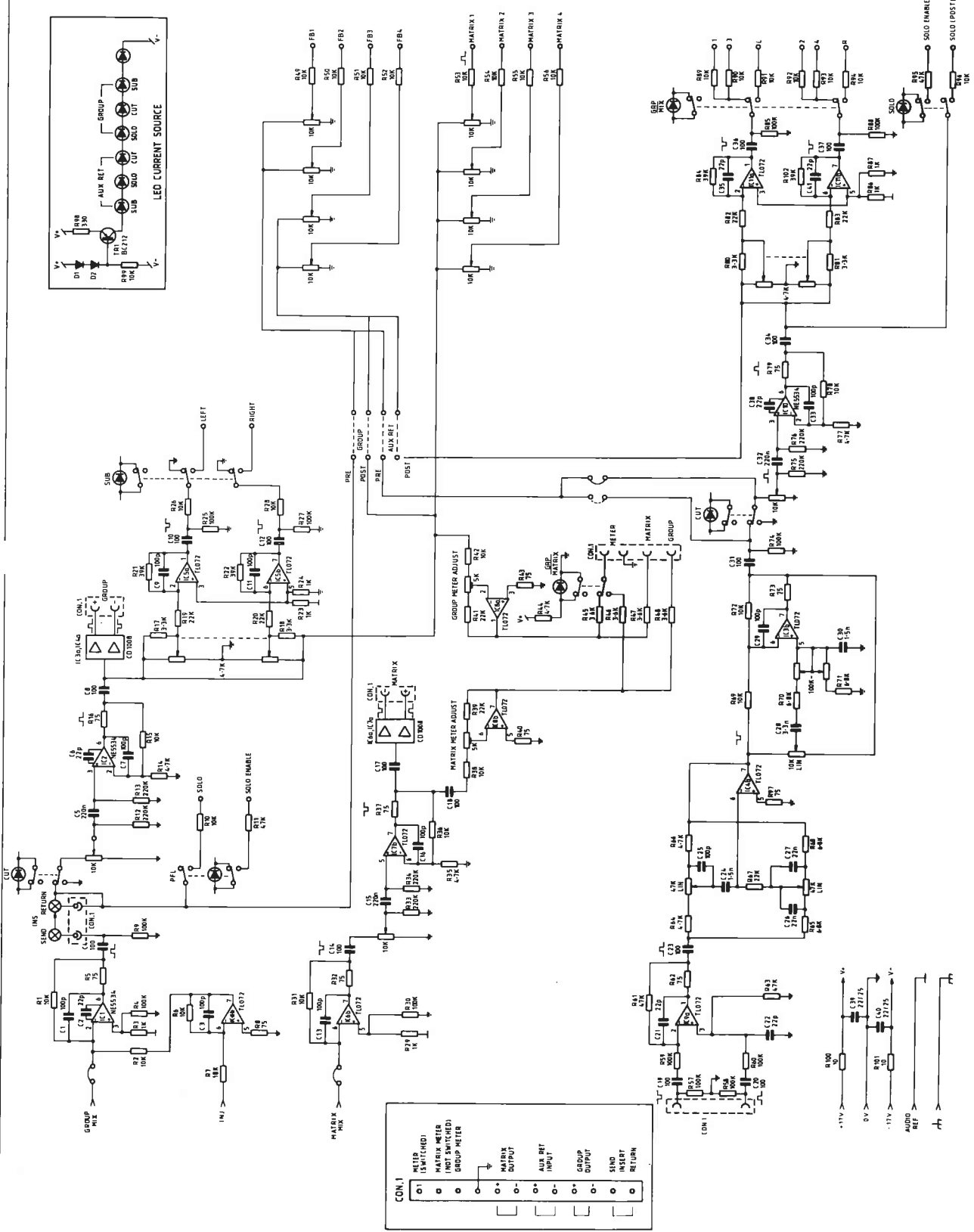
IC Connector  
 PCB Connector  
 V+  
 V-

DRAWN	TRACED	CHECKED	APPROVED	DATE	SCALE
Mark				24-2-86	

DRAWING No. CD1031 Iss. 1

# S Series PA - Output Module Circuit

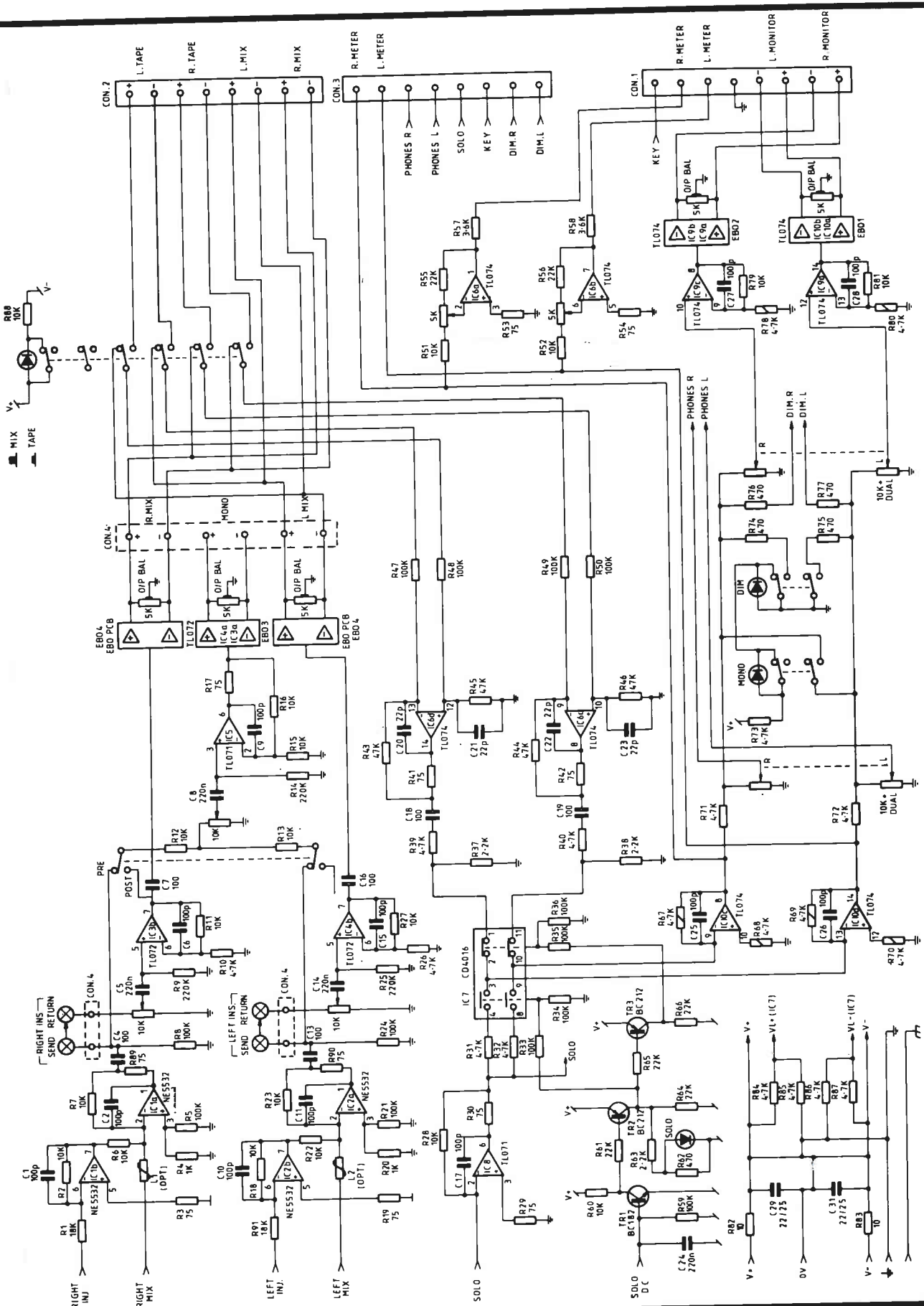
S SERIES PA OUTPUT CIRCUIT DIAGRAM	
NO.	REVISIONS



**CON.1**

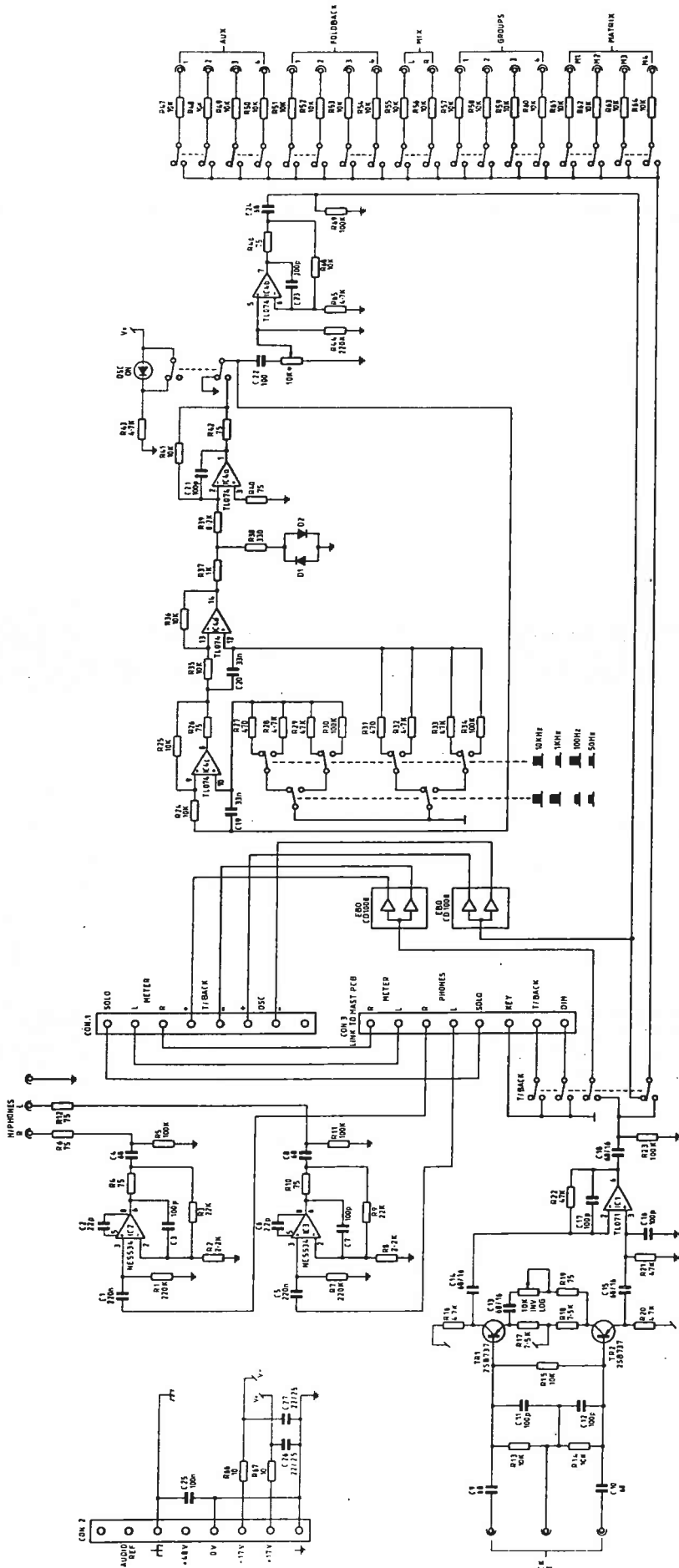
- 115V (SWITCHED)
- MATRIX METER (NOT SWITCHED)
- GROUP METER
- MATRIX OUTPUT
- AUX RET INPUT
- GROUP OUTPUT
- SEND
- INSERT
- RETURN

**LED CURRENT SOURCE**

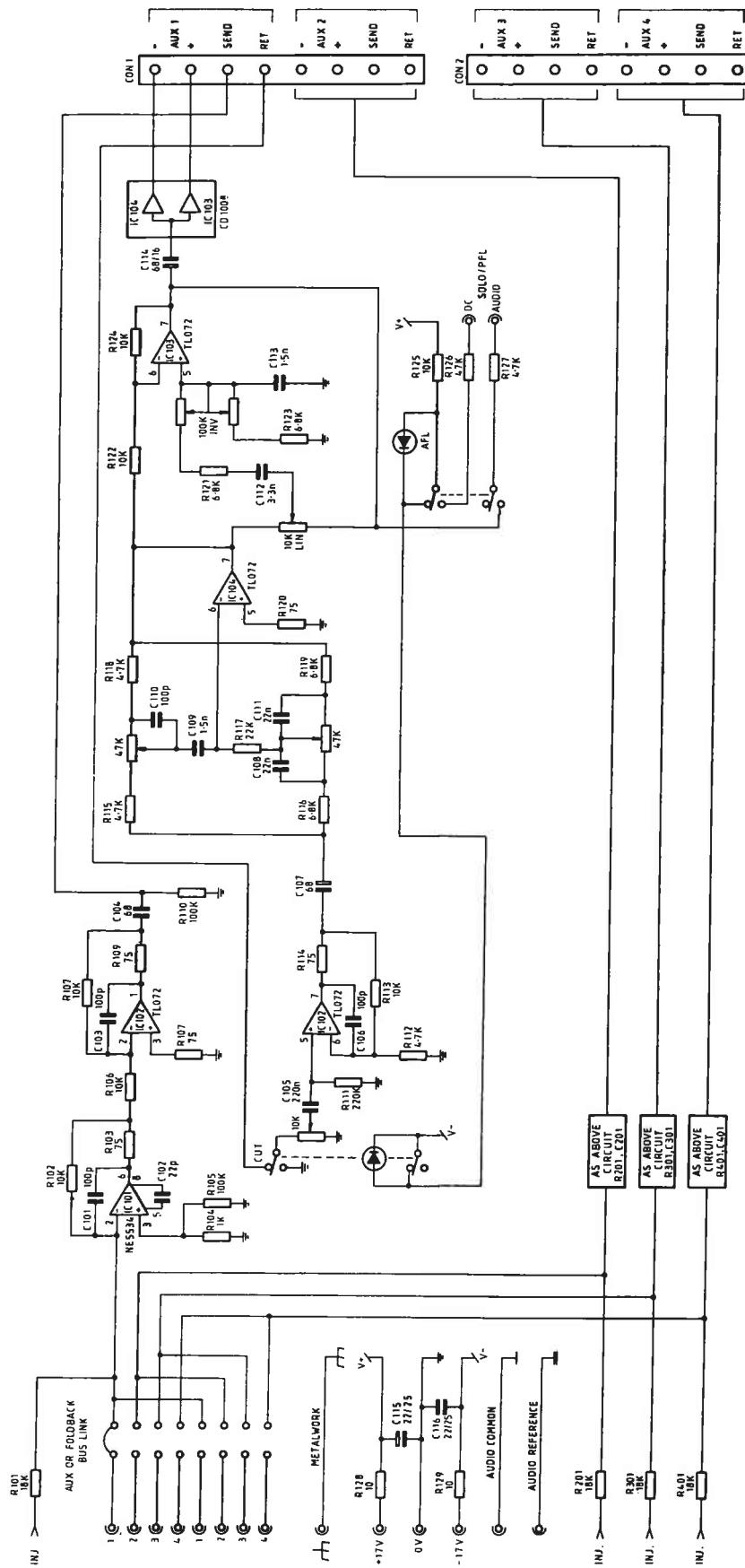


# A D D I

Master Module

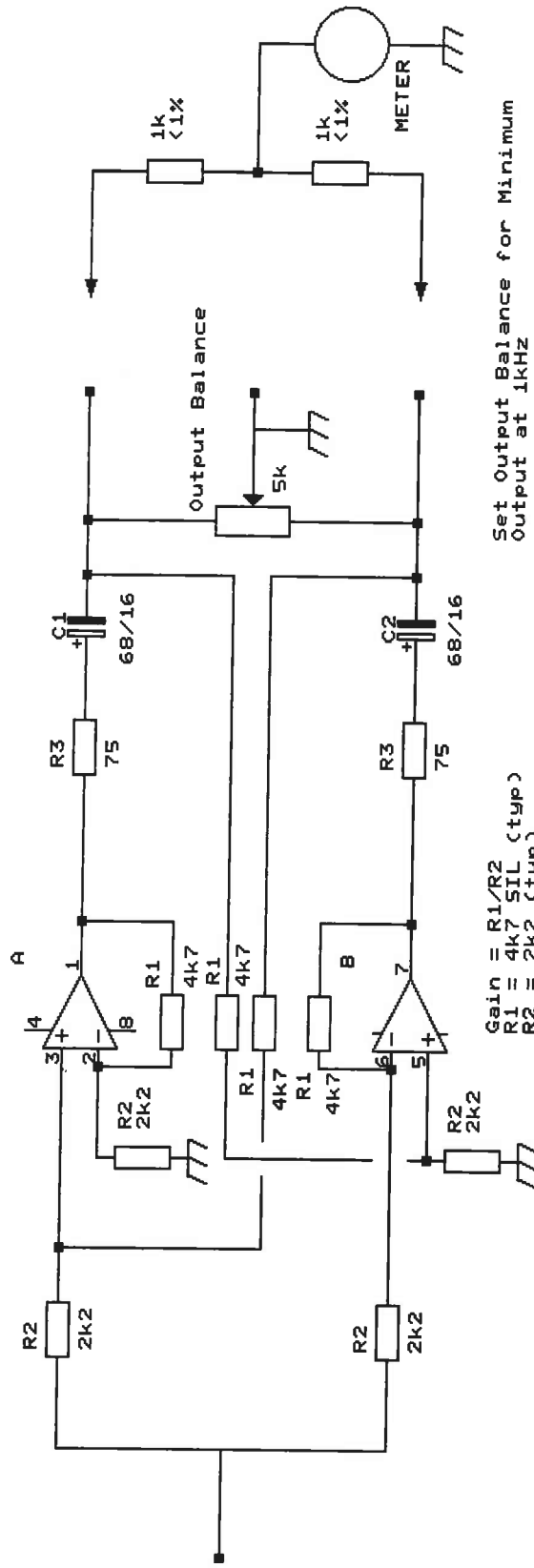


DRAWN	TRACED	CHECKED	APPROVED	DATE	SCALE
Mark				19-5-06	
<b>DRAWING No. CD 034 - 1</b>					
SERIES PA MASTER SUB PCB DESCRIPTION					
REV	NO	DESCRIPTION	DATE		



# A D D A

Aux/Foldback Master Module

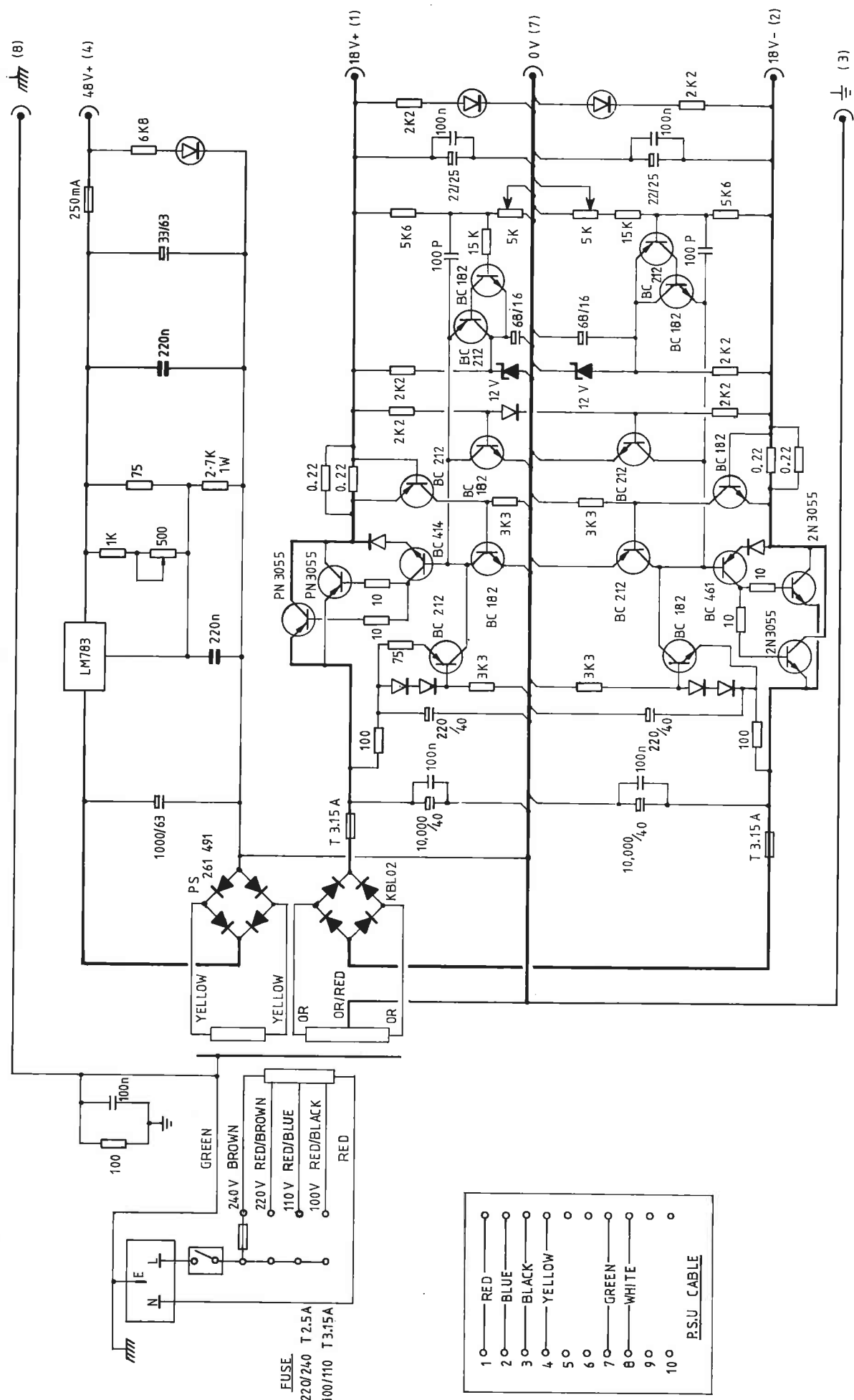


Set Output Balance for Minimum Output at 1kHz  
Typically -40dBv

Gain =  $R1/R2$   
 $R1 = 4k7$  SIL (typ)  
 $R2 = 2k2$  (typ)

OUTPUT BALANCE ADJUST

ADD

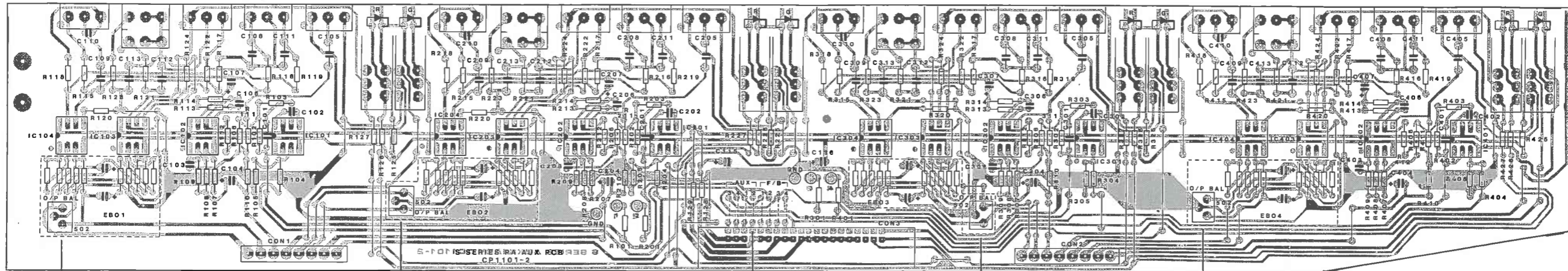


1	○	—	RED	○
2	○	—	BLUE	○
3	○	—	BLACK	○
4	○	—	YELLOW	○
5	○	—		○
6	○	—		○
7	○	—	GREEN	○
8	○	—	WHITE	○
9	○	—		○
10	○	—		○

FUSE  
220/240 T 2.5A  
100/110 T 3.15A

REVISED		DESCRIPTION		CHKD/APPD/DATE	
LM783		TITLE			
O		ADJUST IN OUT			
DRAWN M.M.		TRACED	CHECKED	APPROVED	DATE
SCALE					
S Series PSU					
DRAWING No. CD 1014 - 2					





Output 1 balance adjust

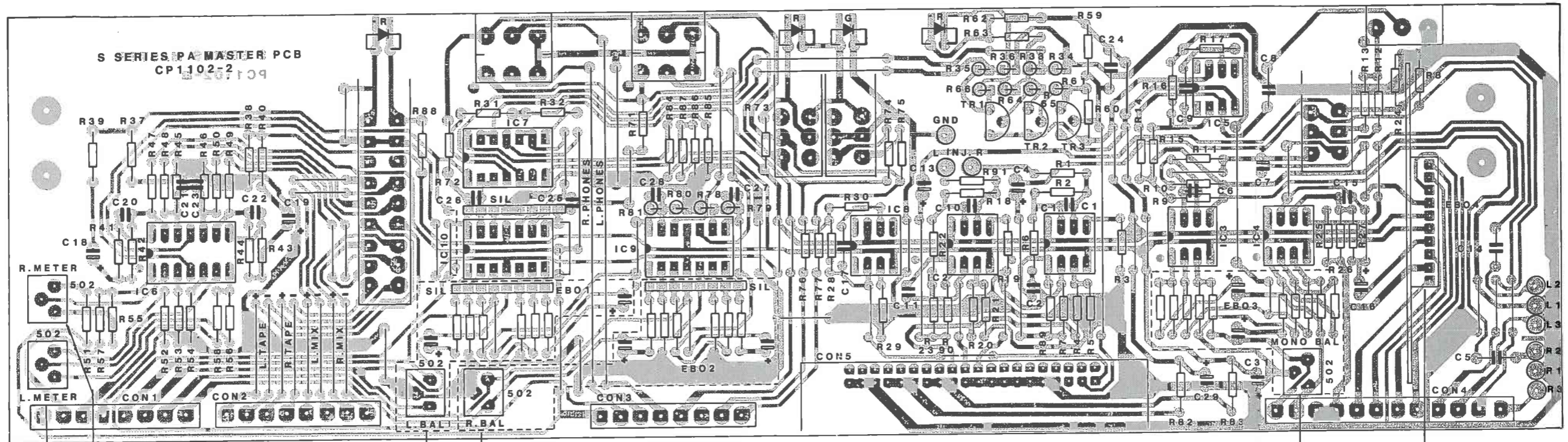
Output 2 balance adjust

Output 3 balance adjust

Output 4 balance adjust

Output programming

S Series/Q Series Aux Master Module  
PCB Layout PC 1101-2



Right meter trim  
Left meter trim

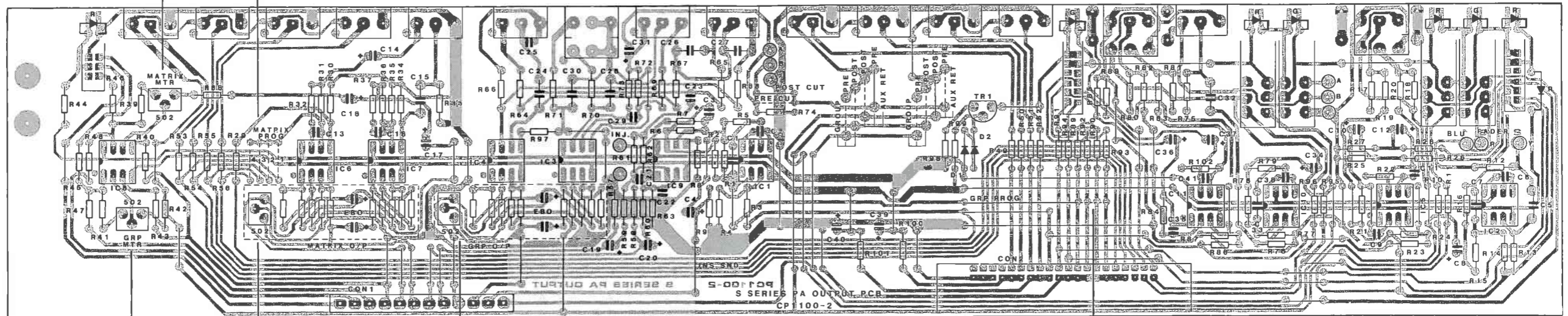
Monitor right output balance adjust  
Monitor left output balance adjust

Mono output balance adjust  
Mix left and right balance

S Series PA/Monitor Master Module  
Q Series Master Module  
PCB Layout PC 1102-2

Matrix meter trim

Matrix programming



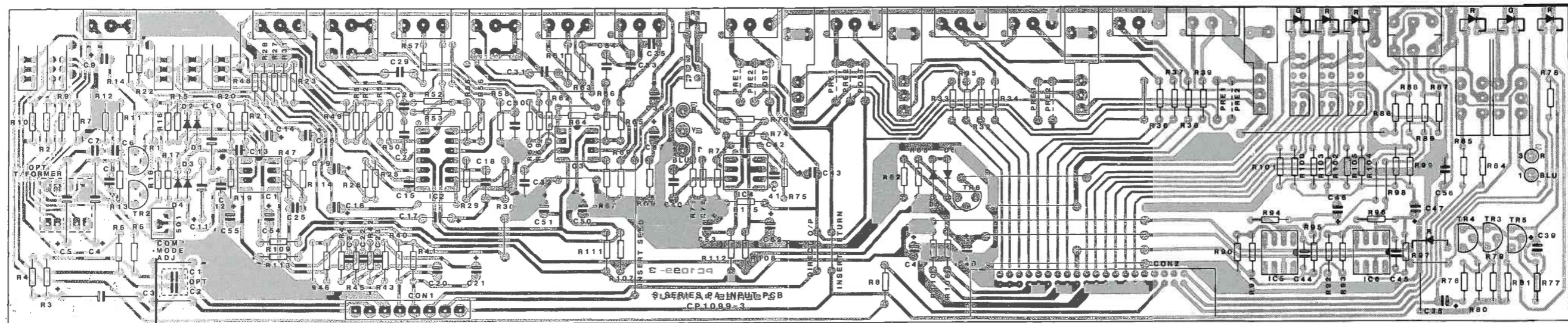
Group meter trim

Group output balance adjust

Group programming

Matrix output balance adjust

S Series PA Output Module  
Q Series Matrix Output Module  
PCB Layout PC 1100-2



Input common mode adjust

S Series PA Input Module  
PCB Layout PC 1099-2