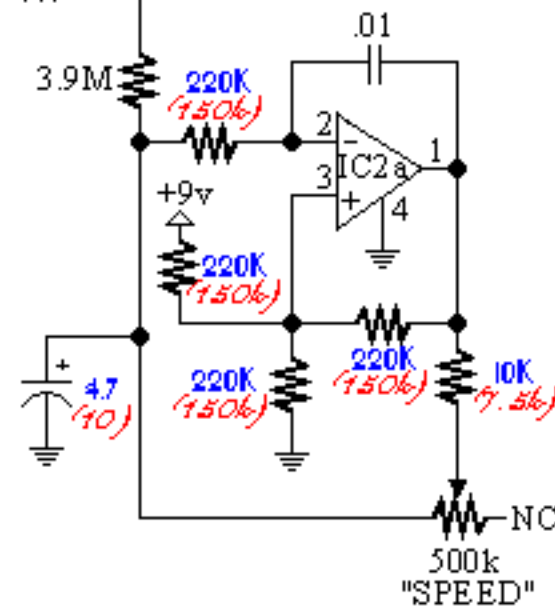
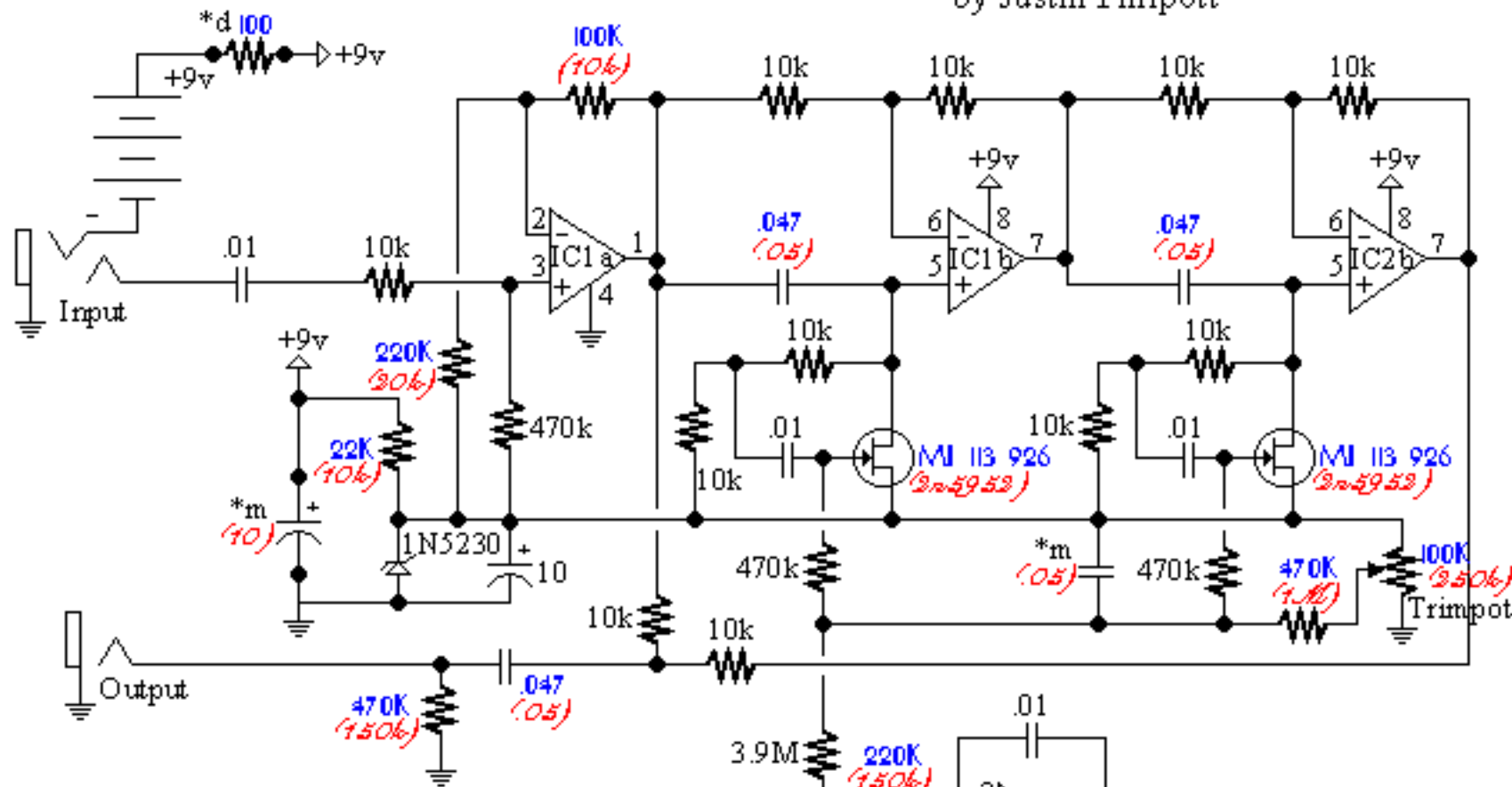


MXR Phase 45

and

DOD PHASOR 201

by Justin Philpott



Notes:

- 1) *m - part only found in mxr
(acts as an open circuit in dod)
- 2) *d - only found in dod (acts as short in mxr)
- 3) all black type values for both mxr and dod
- 4) *(italics red)* - mxr value
- 5) **BLUE** - dod value
- 6) all resistors in ohms, capacitors in uF
- 7) both IC's are TL072