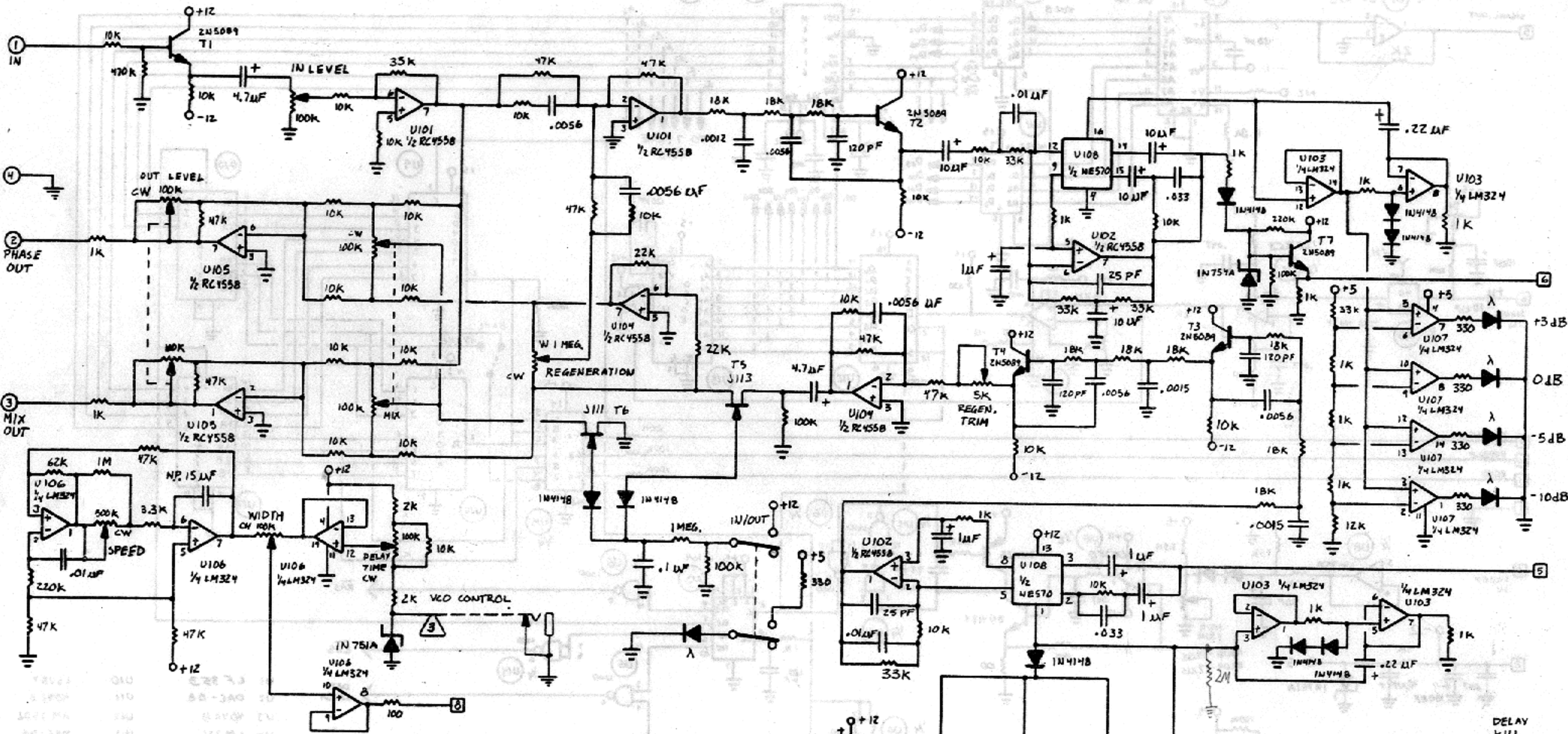


**DOD R9089 BOARD**

|    |         |         |         |
|----|---------|---------|---------|
| U1 | LF 353  | U10     | LS 157  |
| U2 | DAC-08  | U11     | 4092 B  |
| U3 | 4092 B  | U12     | AM 2502 |
| U4 | LM 311  | U13     | DAC-08  |
| U5 | LS164   | U14     | LS 00   |
| U6 | LS 00   | U15     | CD 4066 |
|    |         | U16     | CD 4024 |
|    |         | U17     | LS 157  |
| U8 | LM 558  | U18-U25 | MK 4116 |
| U9 | CD 4024 |         |         |

**IMPORTANT:** This schematic is included for information only. Authorized warranty service can only be performed by DOD ELECTRONICS as specified in the DOD warranty.



**DOD 9081 BOARD**  
8-16-83 M.B.

