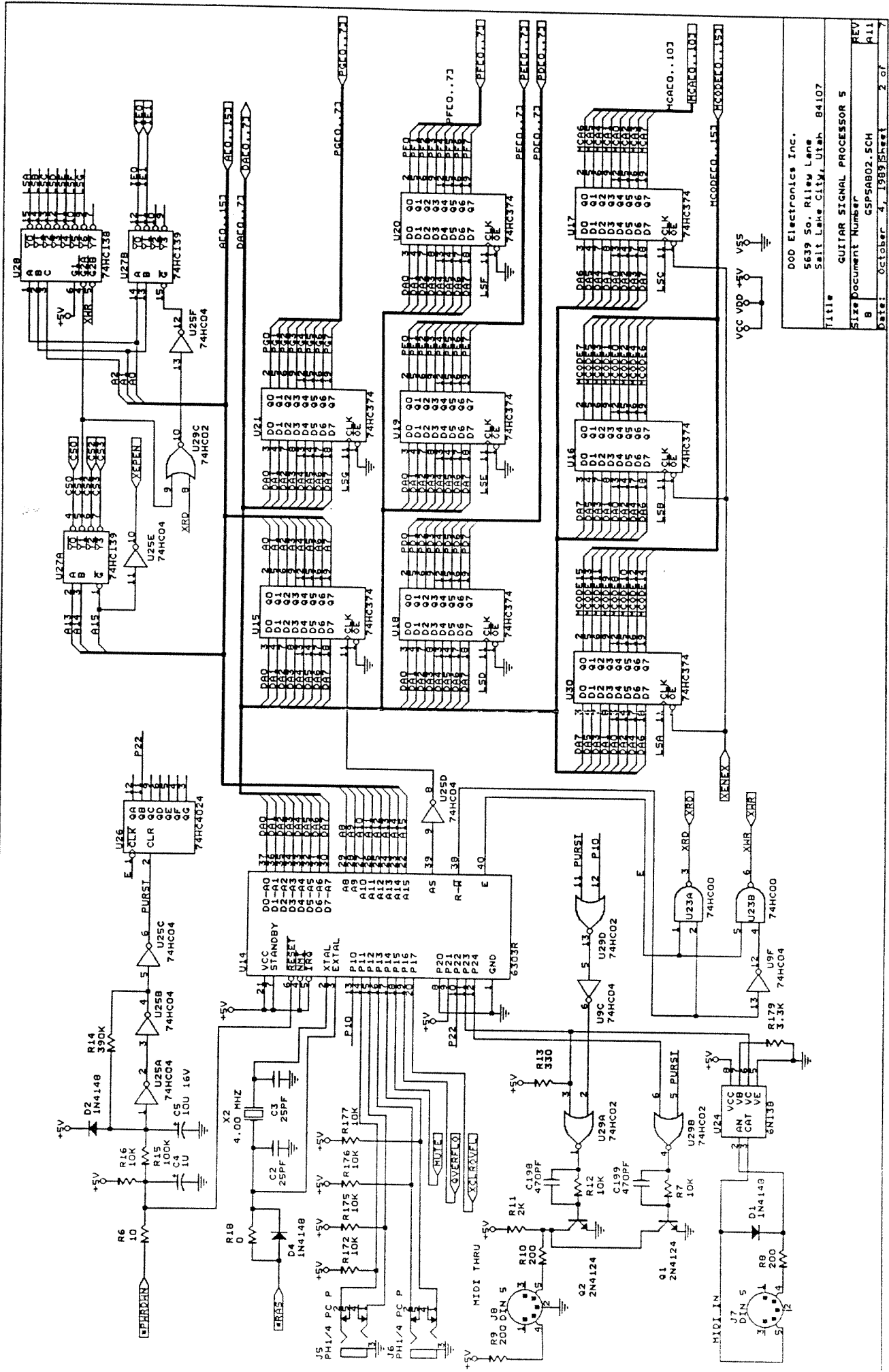
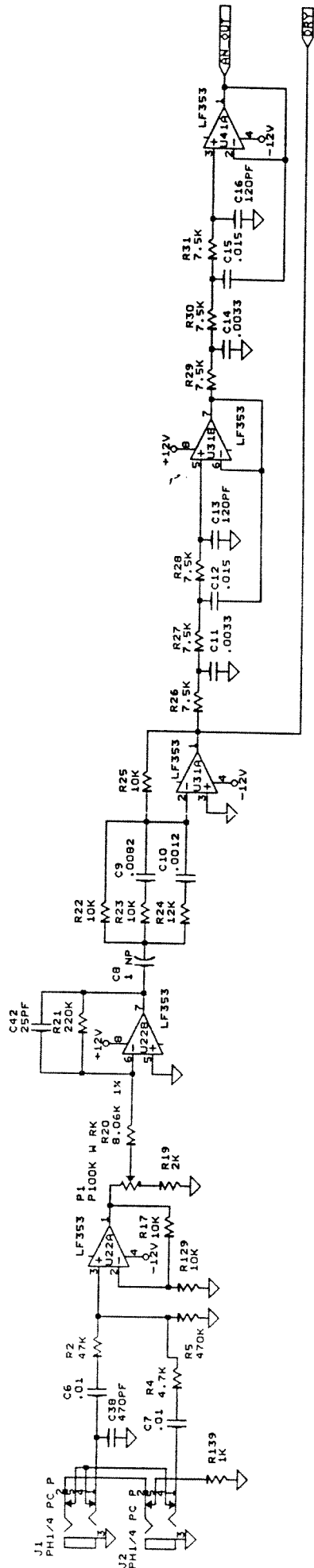


DOD Electronics Inc.  
 5639 So. Riley Lane  
 Salt Lake City, Utah 84107  
 Title GUITAR SIGNAL PROCESSOR 5  
 Size Document Number B GSP5AB01.SCH  
 Date: October 4, 1983 Sheet 1 of 7

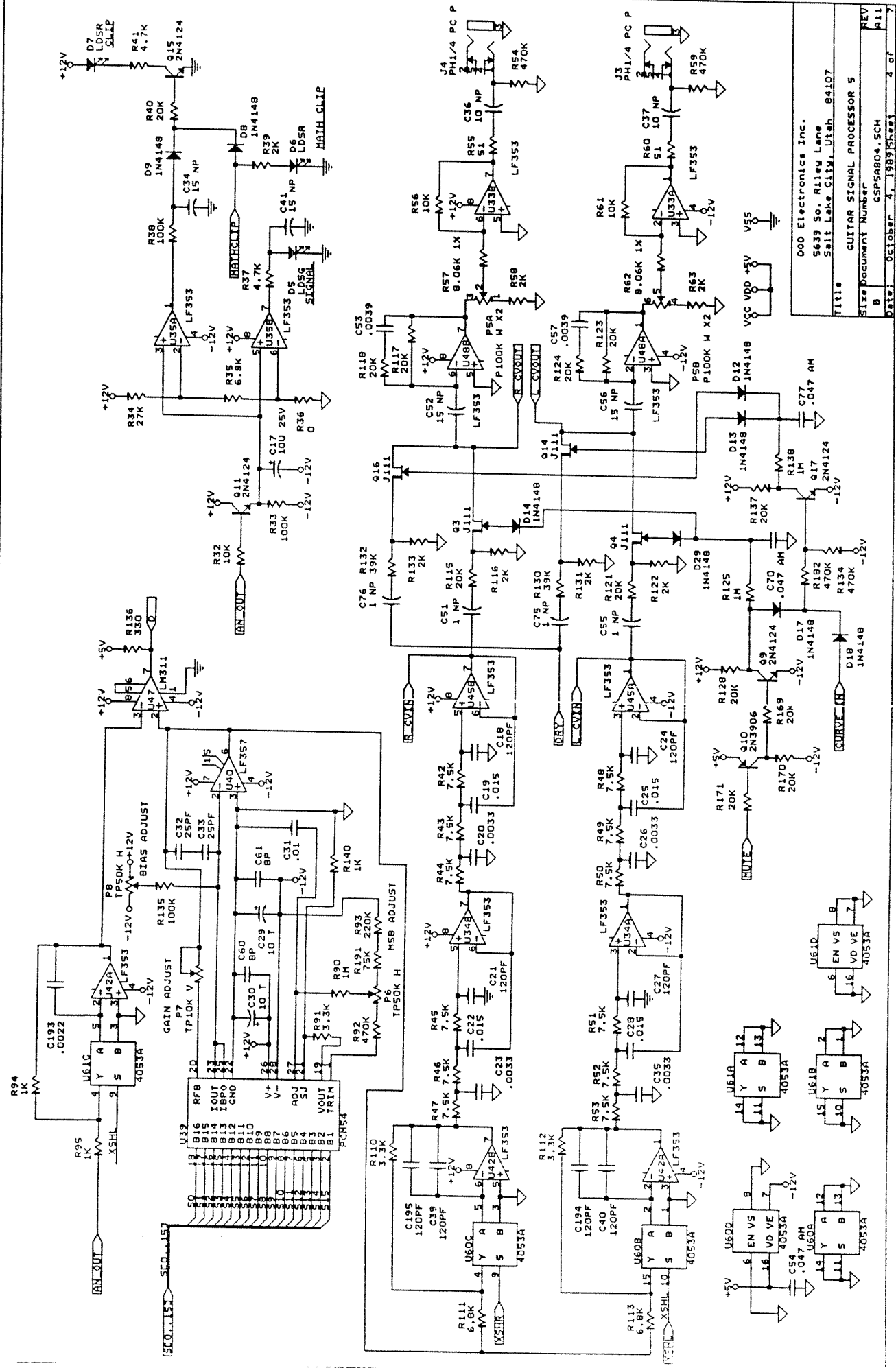


DOD Electronics Inc.  
 5639 So. Riley Lane  
 Salt Lake City, Utah 84107

Title: GUITAR SIGNAL PROCESSOR 5  
 Size: Document Number CSP5AB02.SCH  
 Rev: A11  
 Date: October 4, 1988 Sheet 2 of 2

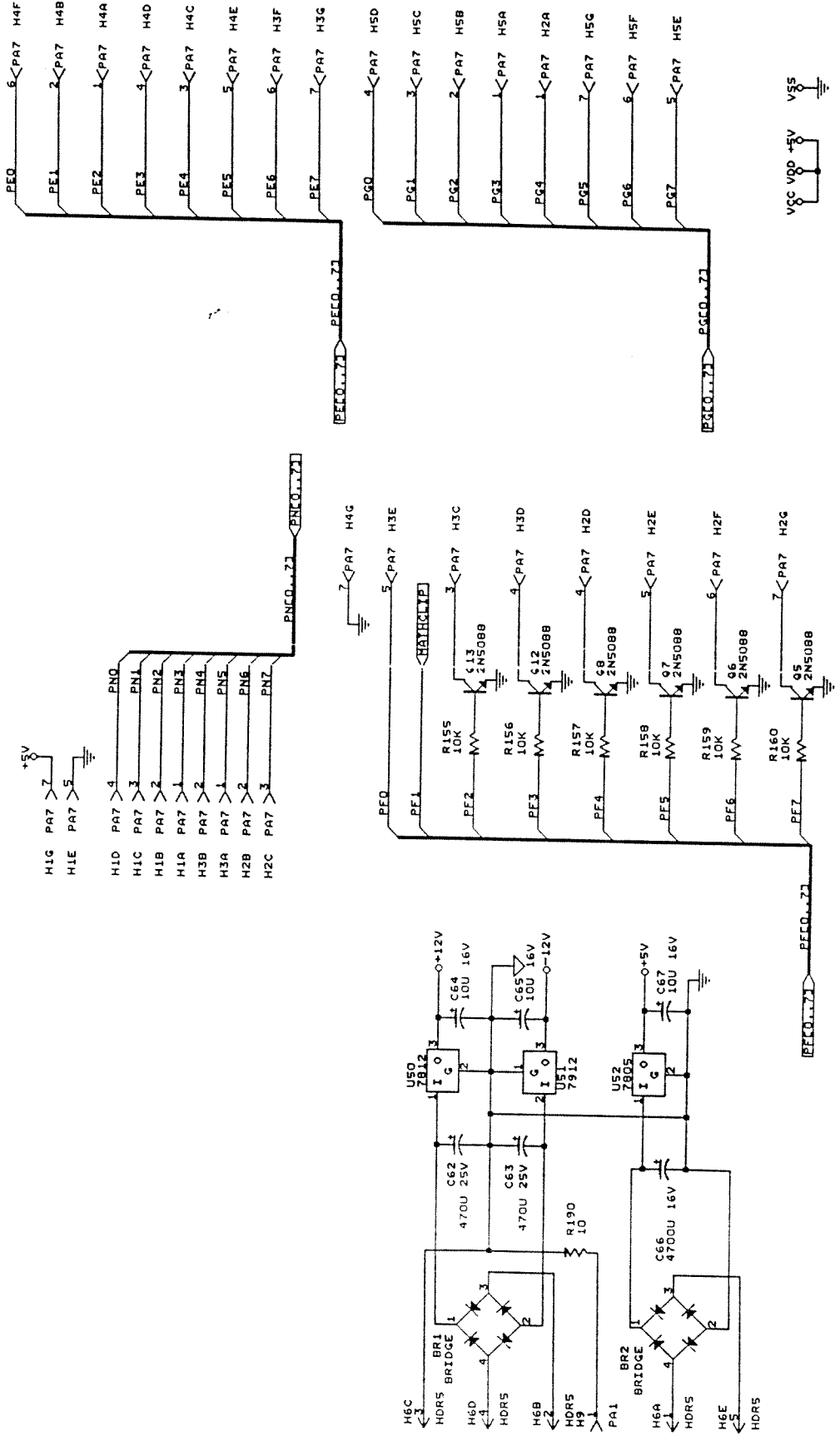


DOD Electronics Inc.	
5639 So. Riley Lane	
Salt Lake City, Utah 84107	
Title	GUITAR SIGNAL PROCESSOR 5
Size	Document Number
REV	B
Date	October 4, 1987 Sheet 3 of 7

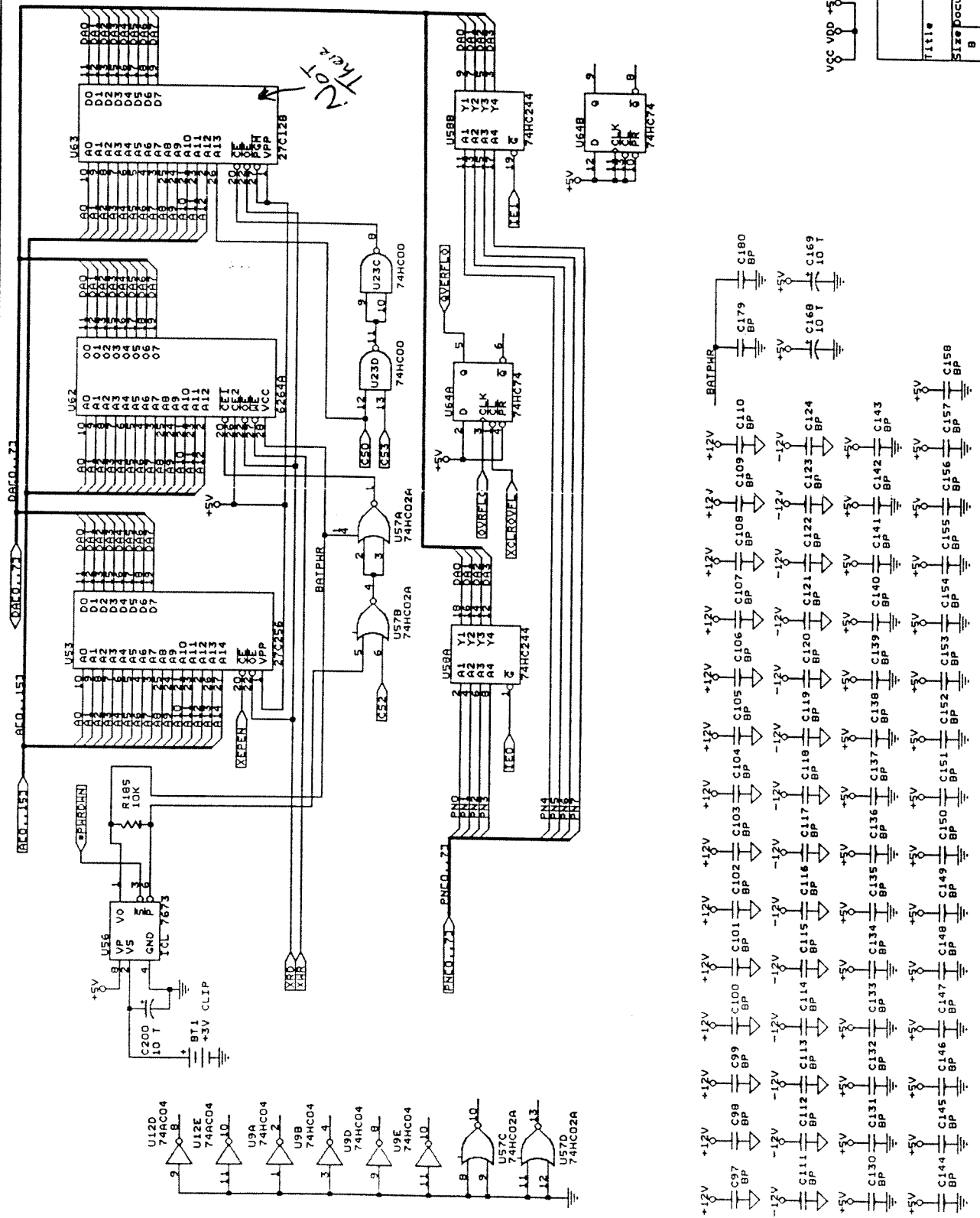


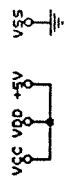
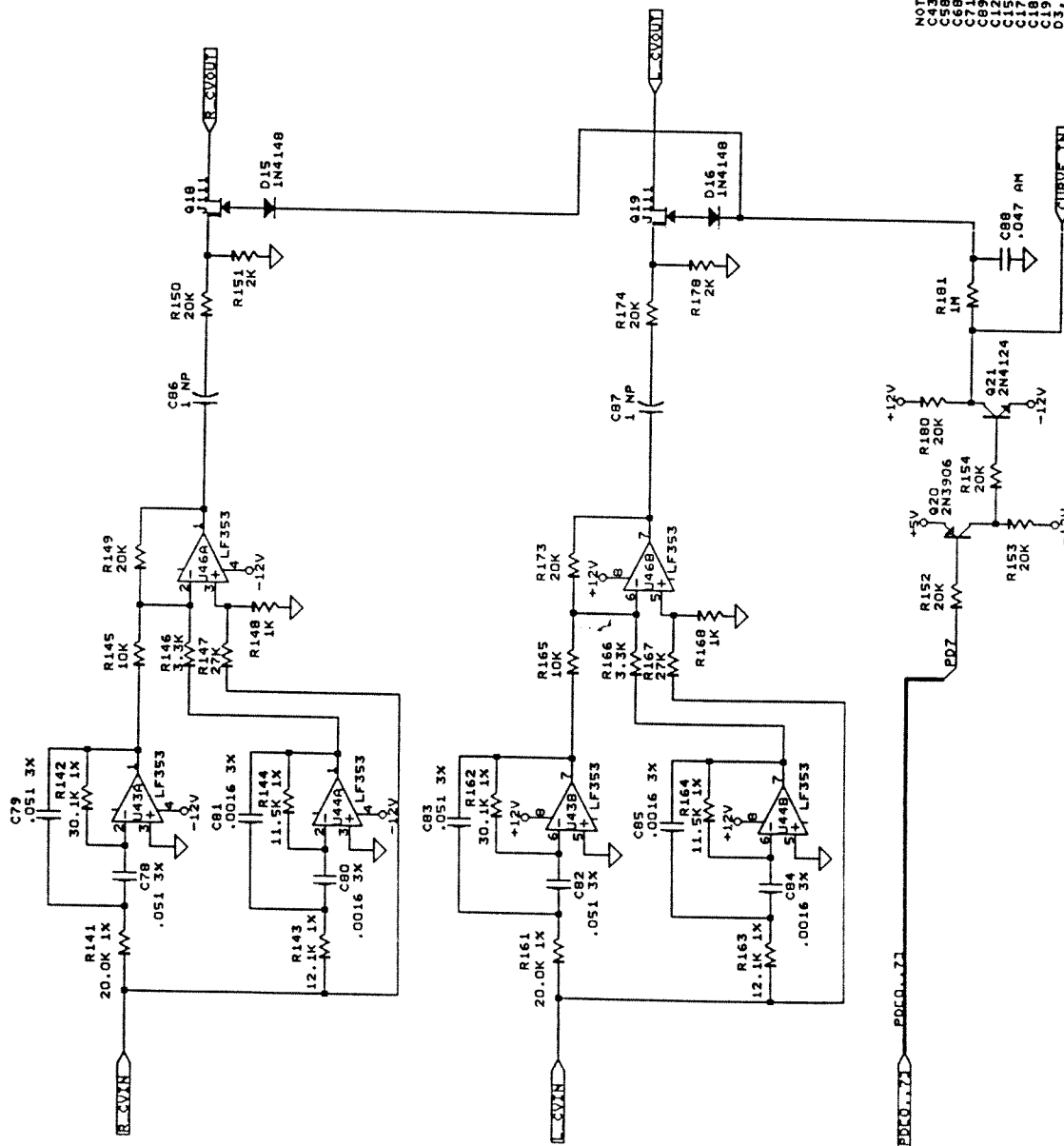
DOD Electronics Inc.  
 5639 So. Rlieve Lane  
 Salt Lake City, Utah 84107  
 Title: GUITAR SIGNAL PROCESSOR 5  
 Size: Document Number: GSP5A804.SCH  
 REV: 4.01

REV	DATE	DESCRIPTION
1	1989	Initial Release
2		
3		
4	10/08/93	4.01



DOD Electronics Inc.  
 5639 So. Riley Lane  
 Salt Lake City, Utah 84107  
 Title: GUITAR SIGNAL PROCESSOR 5  
 Size: Document Number  
 B GSP5AB05.SCH REV  
 Date: October 4, 1989 Sheet 5 of 7





LAST REF.  
 C200  
 U29  
 U6  
 J8  
 P8  
 Q21  
 R201  
 U64  
 X2

- NOT USED  
 C78-79  
 C86-69  
 C71-74  
 C89-96  
 C125-129  
 C170-178  
 C181-182  
 C196-197  
 D3,10-11  
 D27-28  
 R64-89  
 R96-109  
 R114,119-120  
 R126-127  
 R187-188  
 R189-189  
 U36-38  
 U49,54-55  
 U59,61