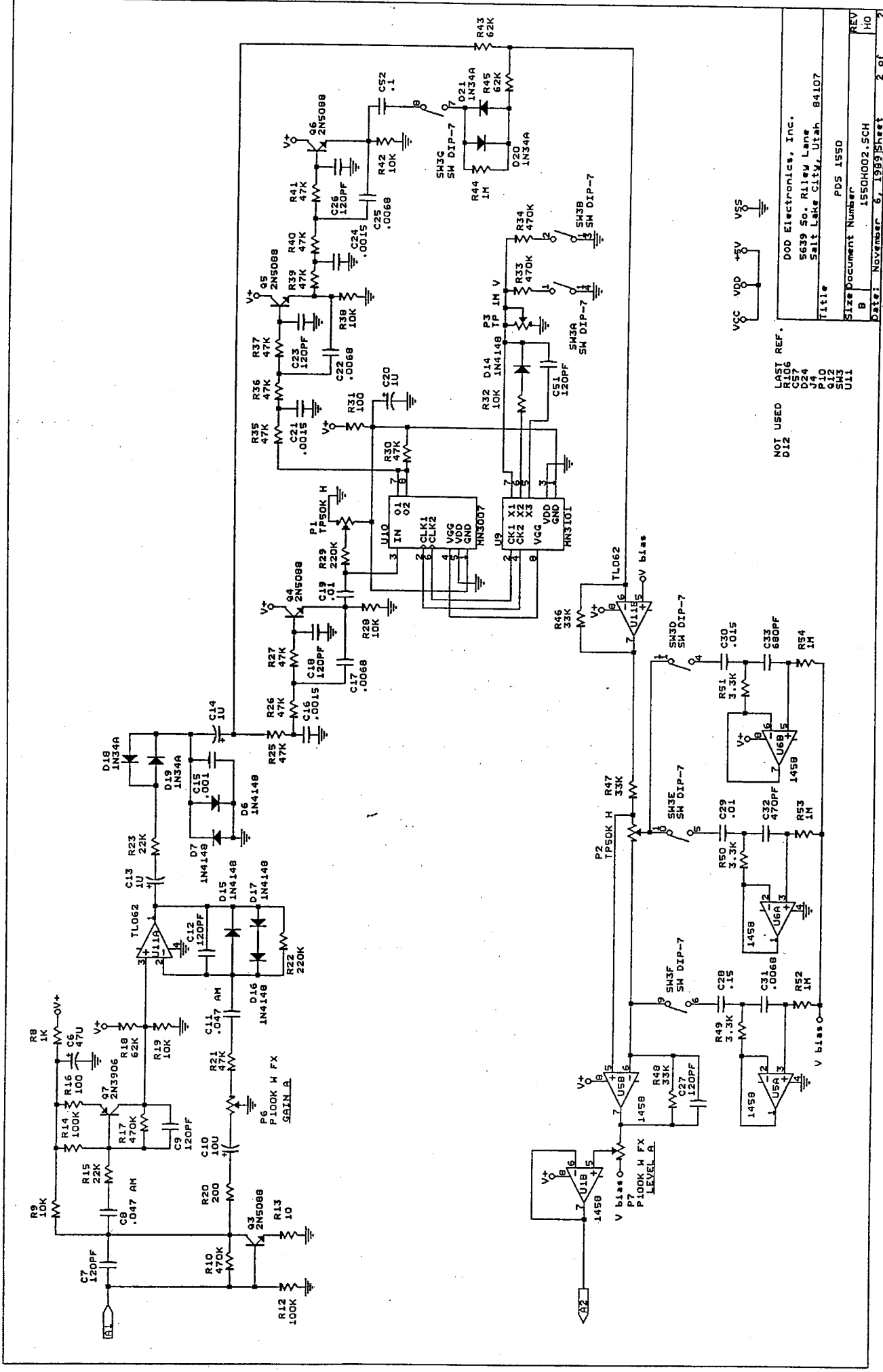


00D Electronics, Inc.  
 5639 So. Riley Lane  
 Salt Lake City, Utah 84107  
 Title: \_\_\_\_\_  
 Size Document Number: P05 1550  
 REV: \_\_\_\_\_  
 HO: \_\_\_\_\_  
 Date: November 5, 1989 Sheet 1 of 2

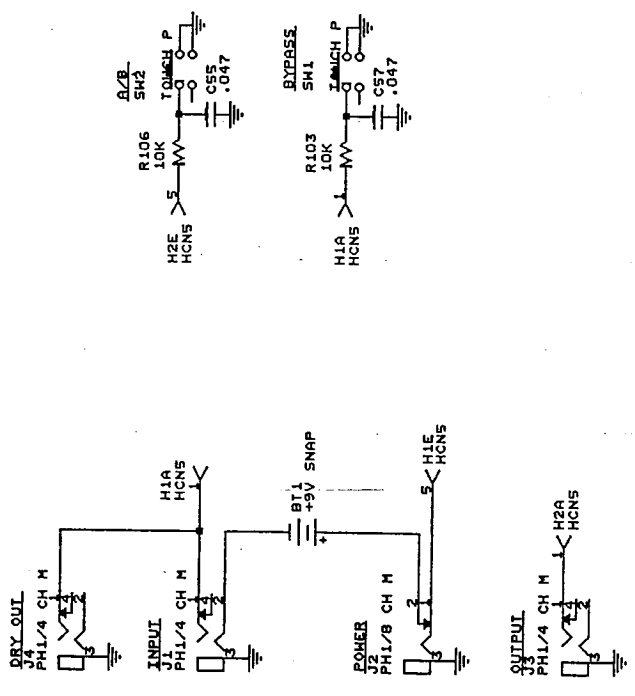


NOT USED  
 D12  
 LAST REF.  
 C59  
 C66  
 D24  
 J4  
 P10  
 S12  
 S12  
 U11

VCC VDD +5V  
 VSS

DOD Electronics, Inc.  
 5639 So. Riley Lane  
 Salt Lake City, Utah 84107  
 Title  
 Size Document Number  
 B PDS 1550  
 Date: November 6, 1989 Sheet 2 of 2

REV  
 HO



DOD Electronics, Inc.  
 5639 So. Riley Lane  
 Salt Lake City, Utah 84107  
 Title  
 Size Document Number PDS 1550  
 B 1550PCH.SCH  
 Date: November 6, 1989 Sheet 1 of 1