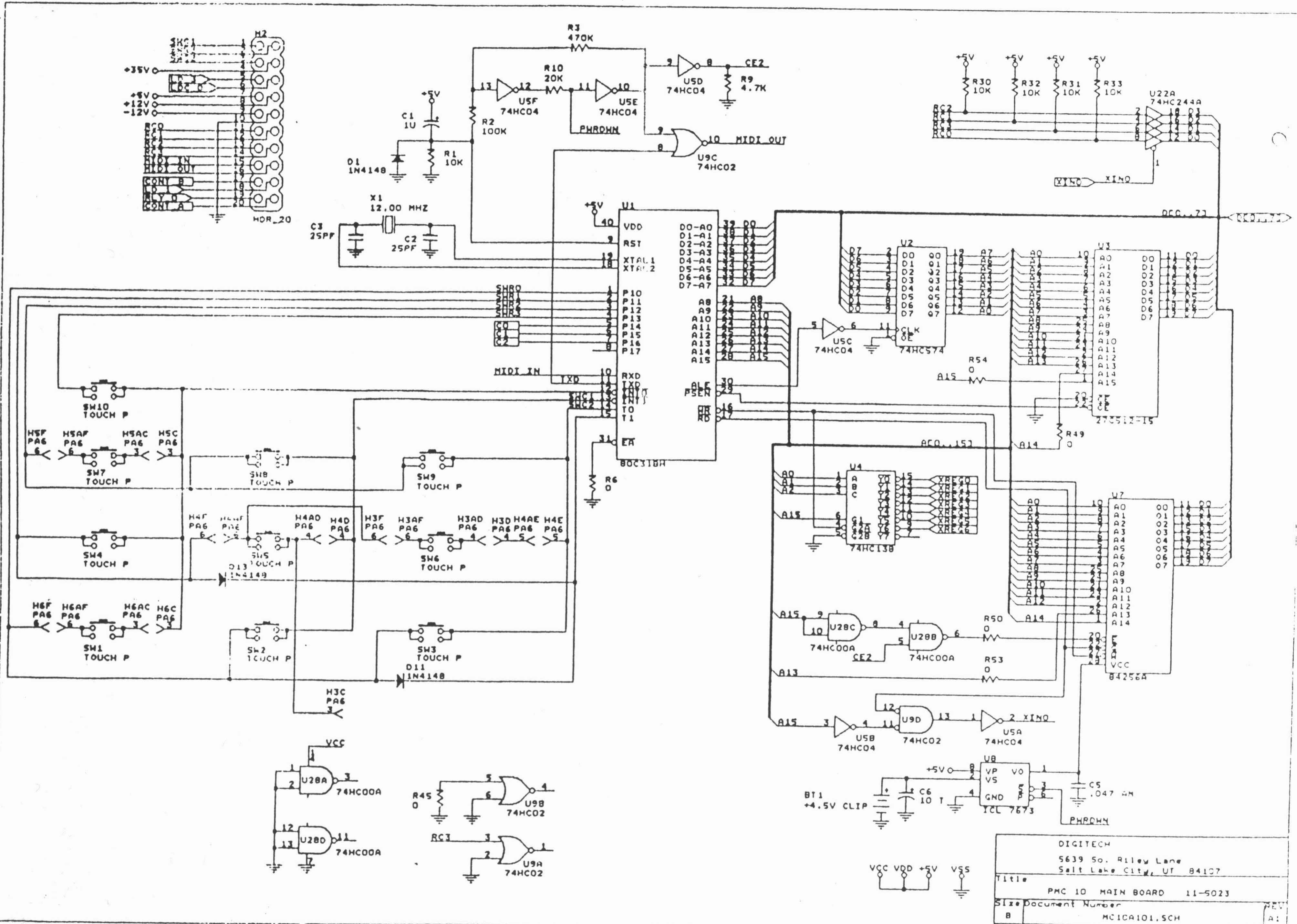
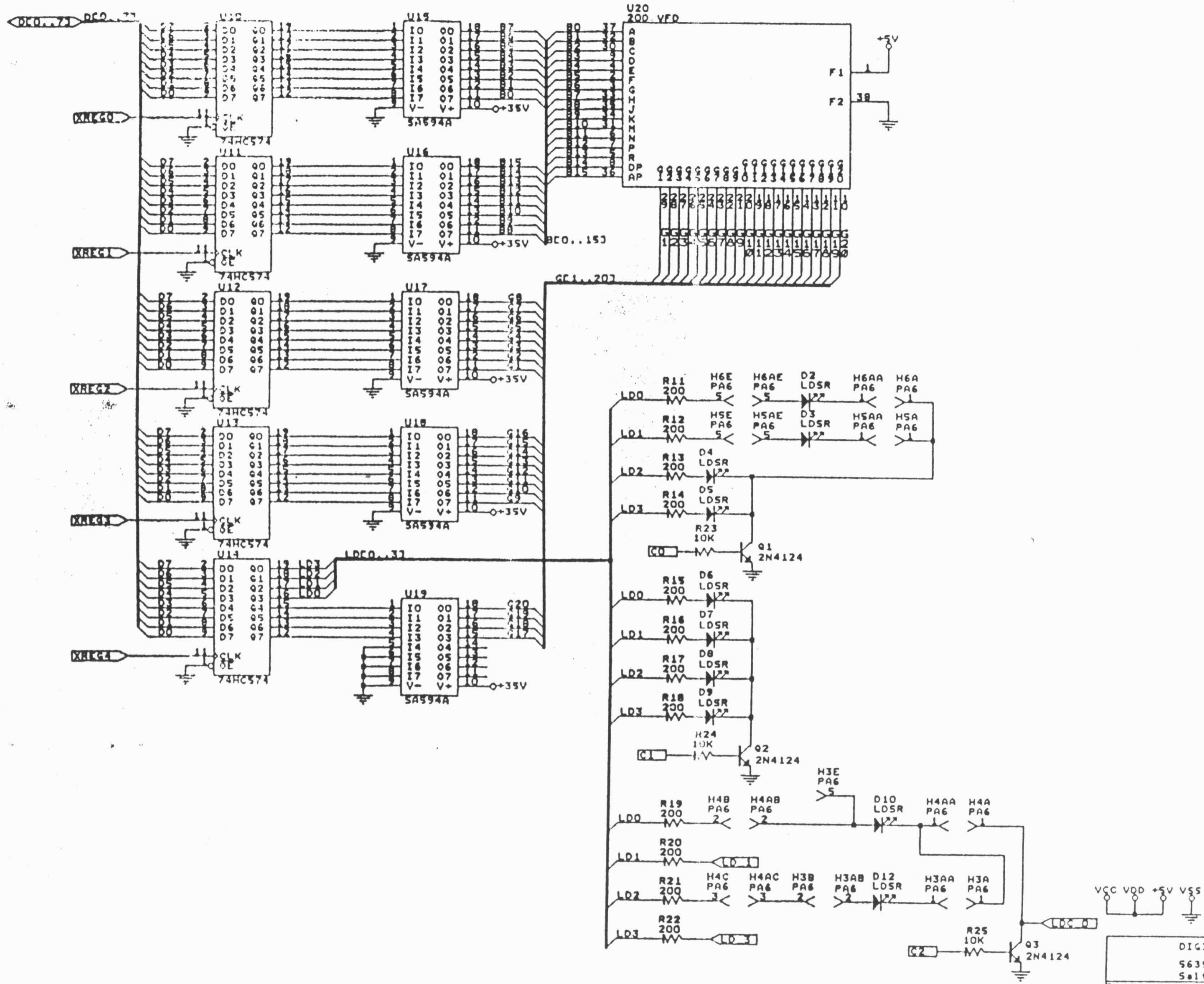


Manufacturing Original

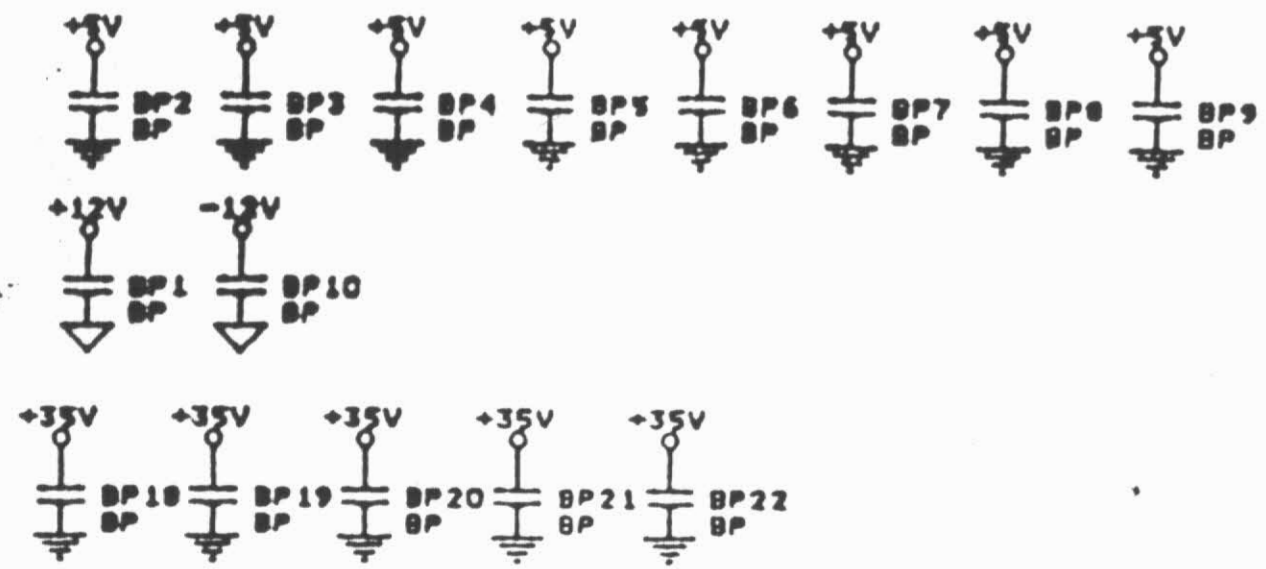
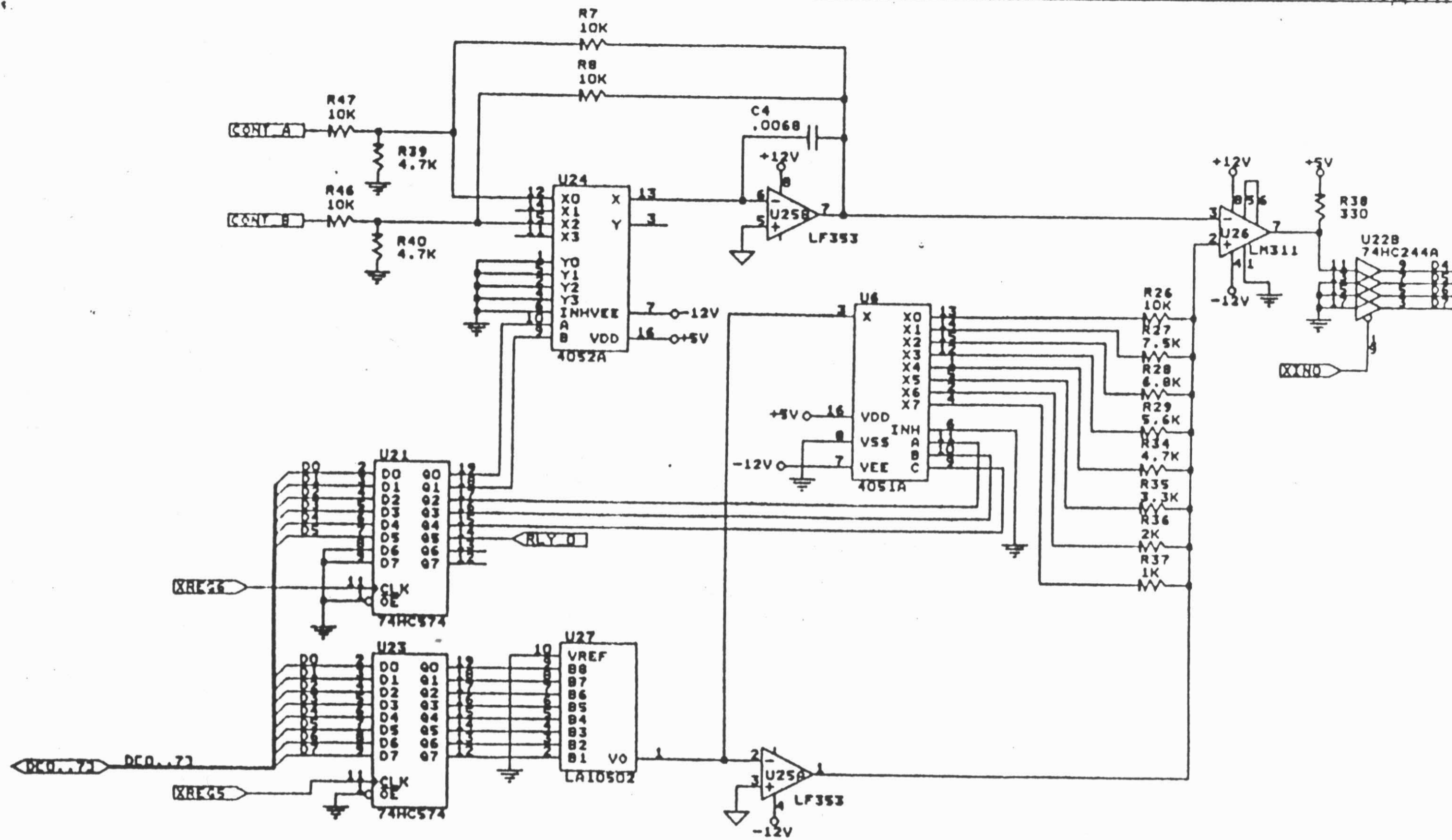


DIGITECH  
 5639 So. Riley Lane  
 Salt Lake City, UT 84107  
 Title: PMC 10 MAIN BOARD 11-5023  
 Size Document Number: MC1CA101.SCH  
 Date: December 30, 1991 Sheet 1 of 1



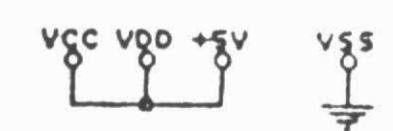
DIGITECH		
5639 So. Riley Lane		
Salt Lake City, UT 84107		
Title	PMC 10 MAIN BOARD 11-5023	
Size	Document Number	REV
B	MC10A102.SCH	A1
Date:	December 30, 1991	Sheet 2 of 7

Manufactured  
Original

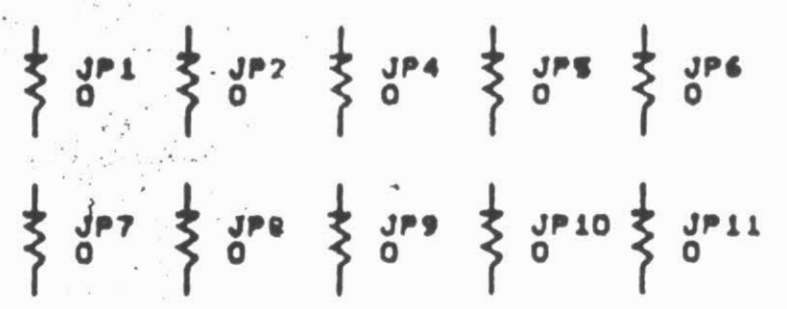
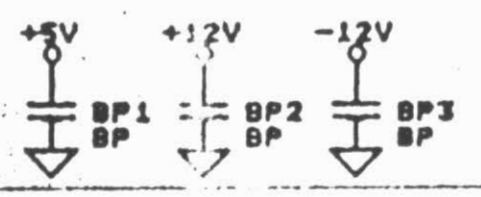
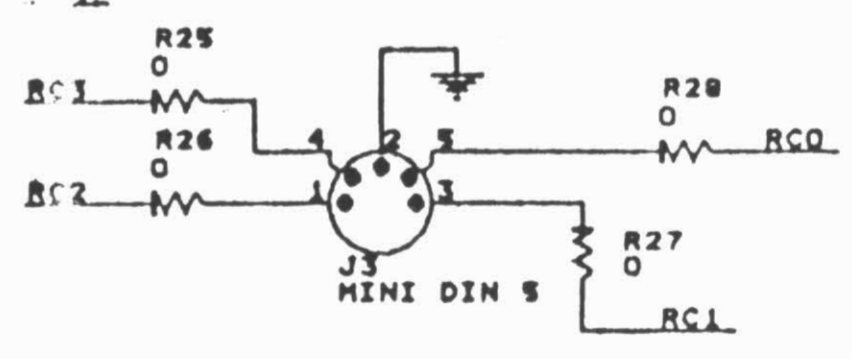
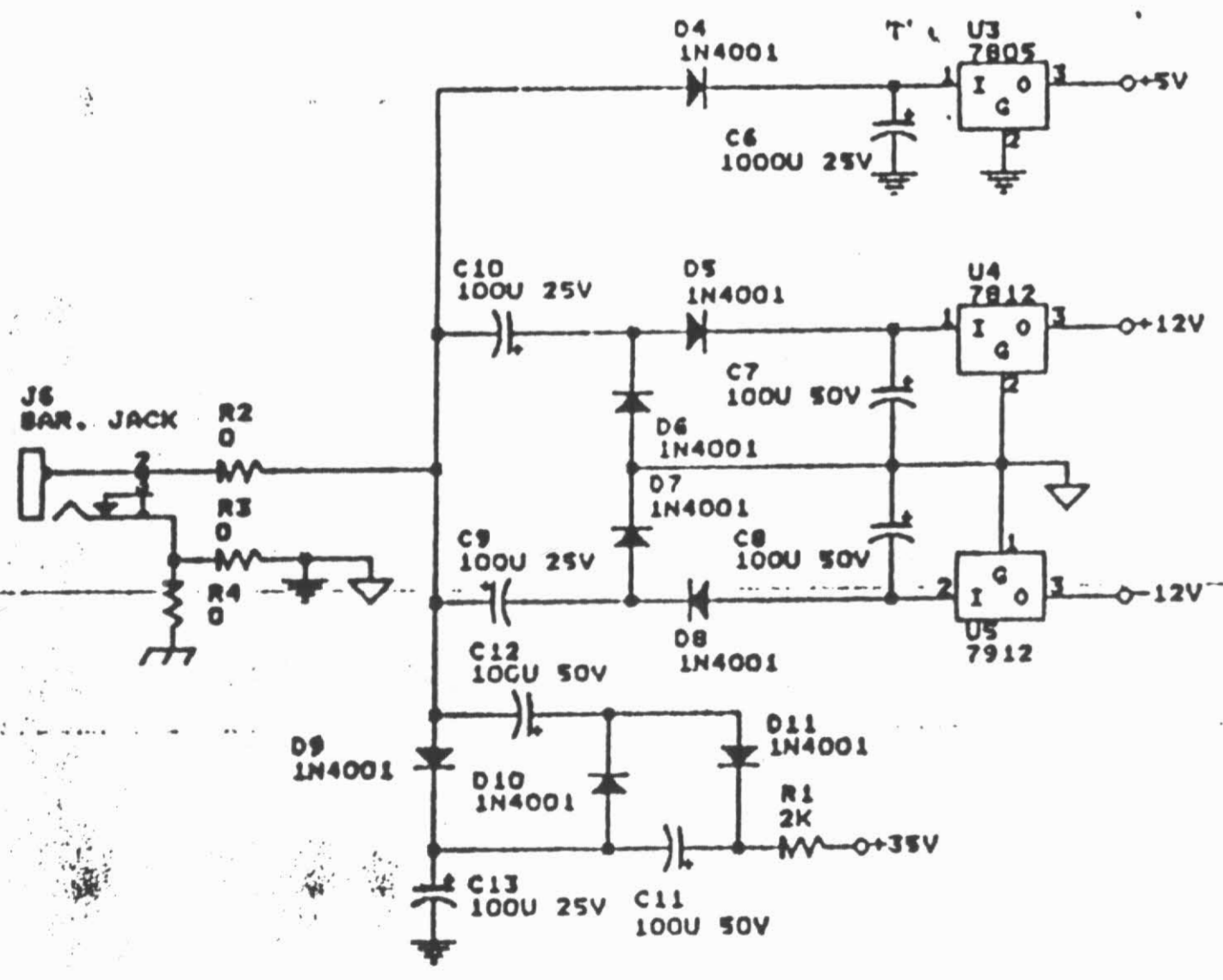
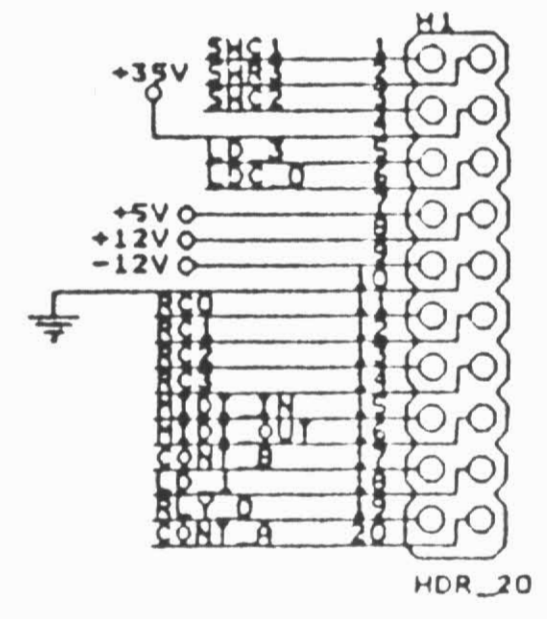
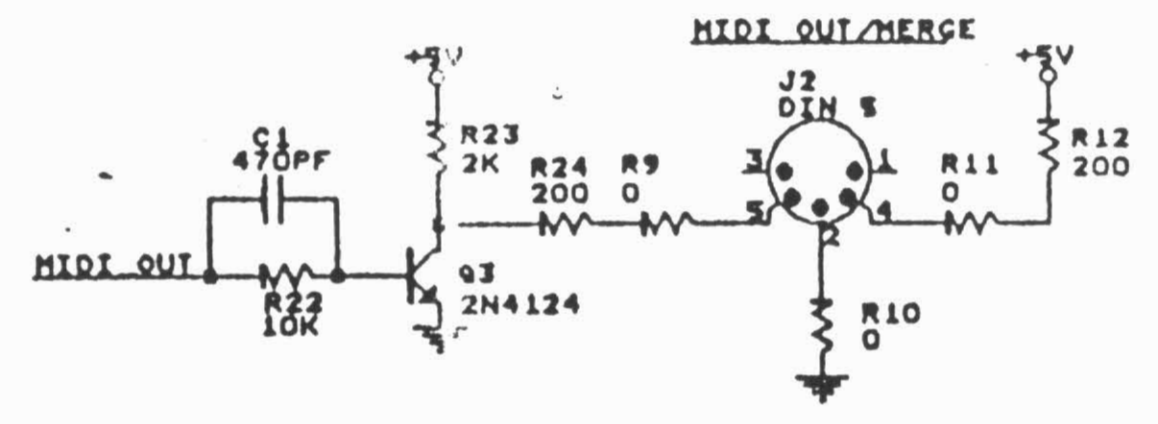
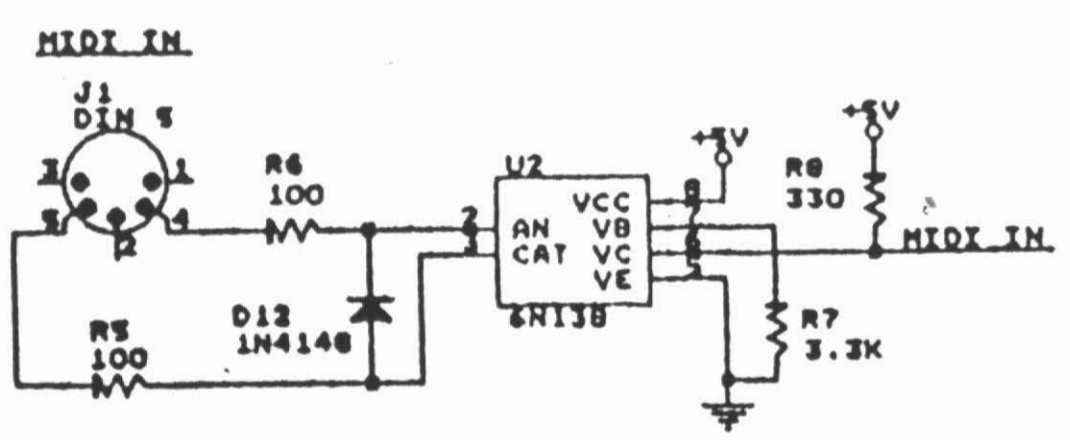
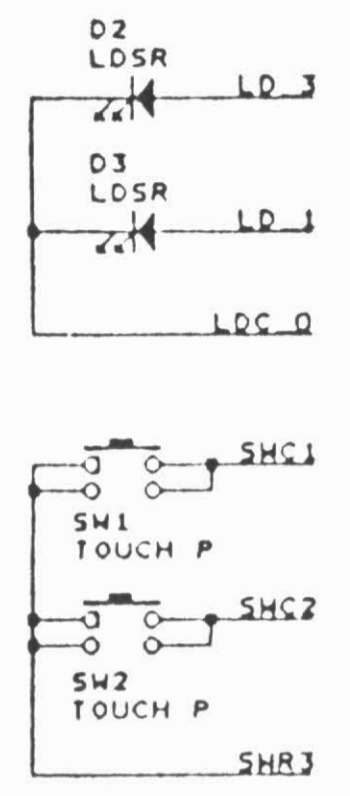
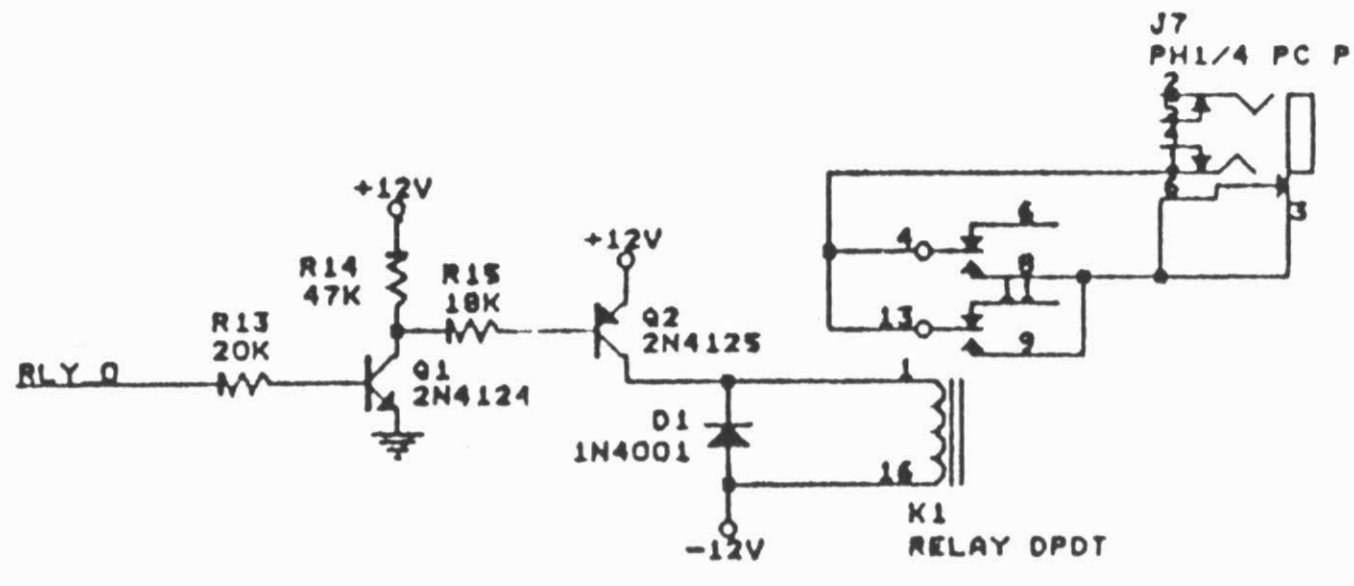
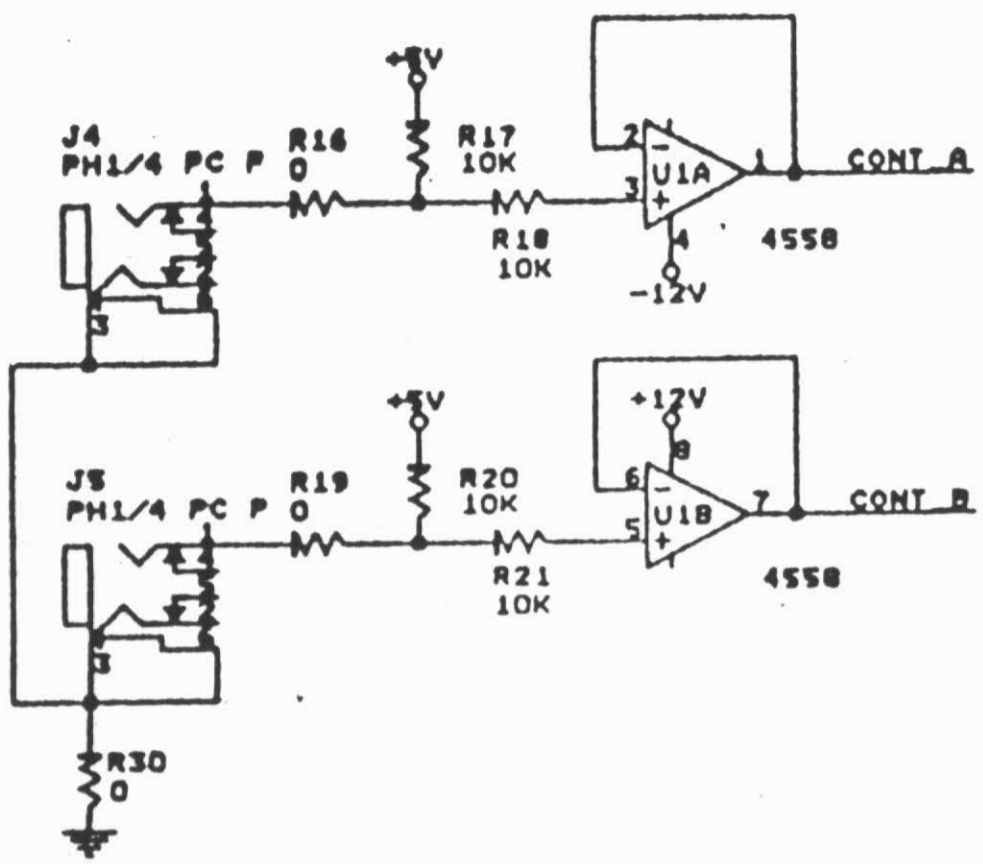


NOT USED  
BP11-17

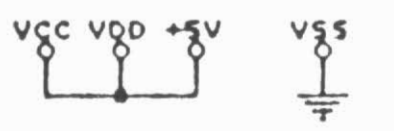
LAST REF.  
BP22  
BT1  
C6  
D13  
Q3  
H6  
R55  
SW11  
U20  
X1



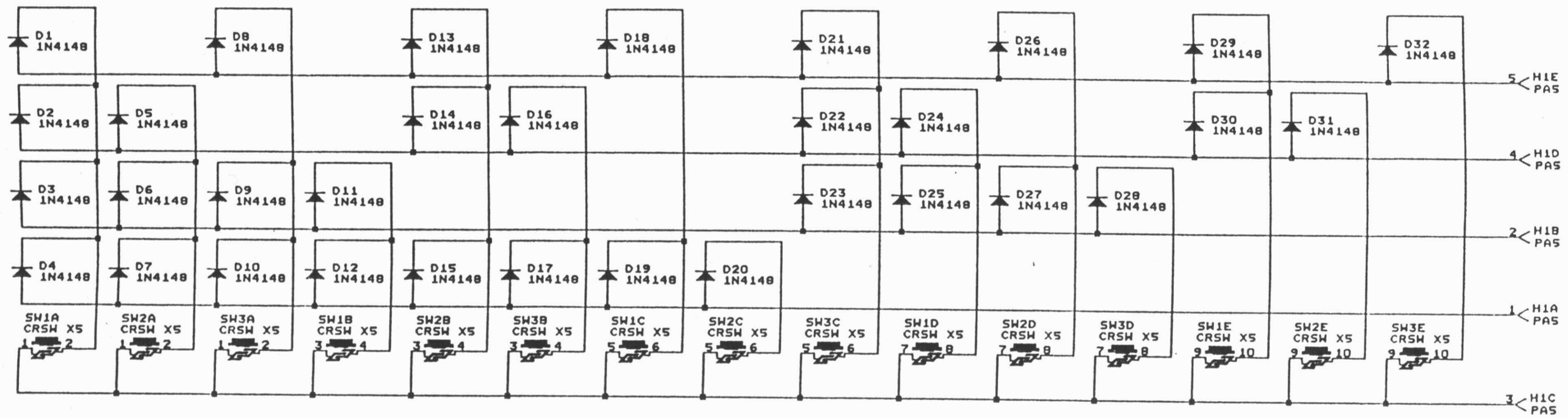
DIGITECH 5639 So. Riley Lane Salt Lake City, UT 84107	
Title	PMC 10 MAIN BOARD 11-5023
Size Document Number	B MC10A103.SCH
Date: December 10, 1991	Sheet 3 of 3



- NOT USED LAST REF.
- BP3
  - C13
  - D12
  - H1
  - J7
  - JP11
  - K1
  - Q3
  - R30
  - SH2
  - U5

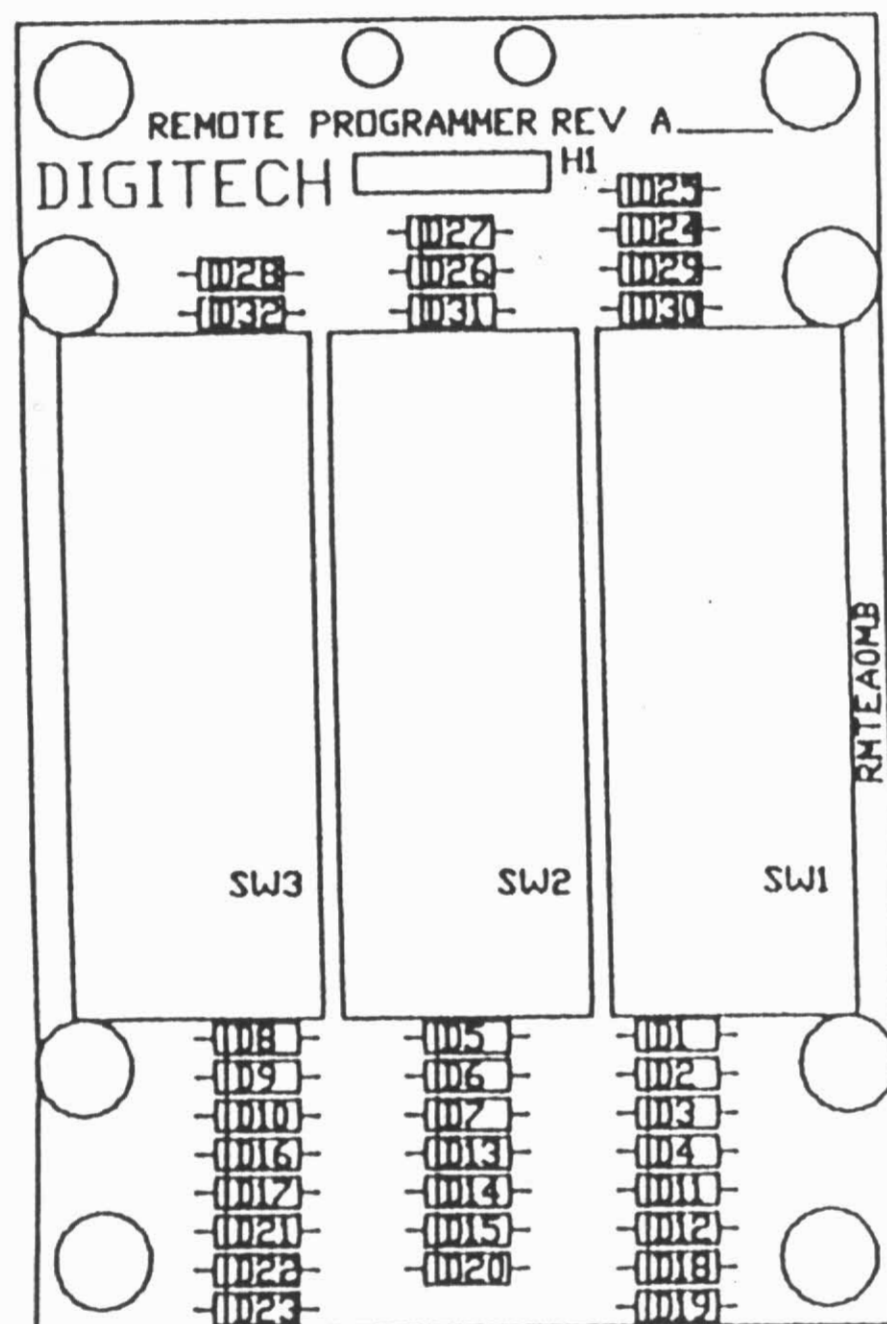


DIGITECH	
5639 So. Riley Lane Salt Lake City, UT 84107	
Title PMC 10 - JACK BOARD 11-5024	
Size Document Number 8	REV AO
Date: November 14, 1991 Sheet 1 of 1	



DOD Electronics Inc. 5639 So. Riley Lane Salt Lake City, Utah 84107		
Title REMOTE PROGRAMMER		
Size	Document Number	REV
B	RMTEA001.SCH	A0
Date:	August 23, 1989	Sheet 1 of 1

REDUCE TO 2.250 IN



DED Software  
REMOTE PROGRAMMER  
RMTEA001.SCH  
Bill Of Materials  
Quan Reference

Page 1

Revised: August 23, 1987

Revision: A0

August 23, 1987 15:00:53

Part Ami Sann Description

---

32	D1, D2, D3, D4, D5, D6, D7, D8, D9, D10, D11, D12, D13, D14, D15, D16, D17, D18, D19, D20, D21, D22, D23, D24, D25, D26, D27, D28, D29, D30, D31, D32	1N4148		S002	SWITCHING DIODE
1	H1	PA5		????	5 PIN PAD
3	SW1, SW2, SW3	CRSW X5		P095	COND. RUBBER SW FR 7