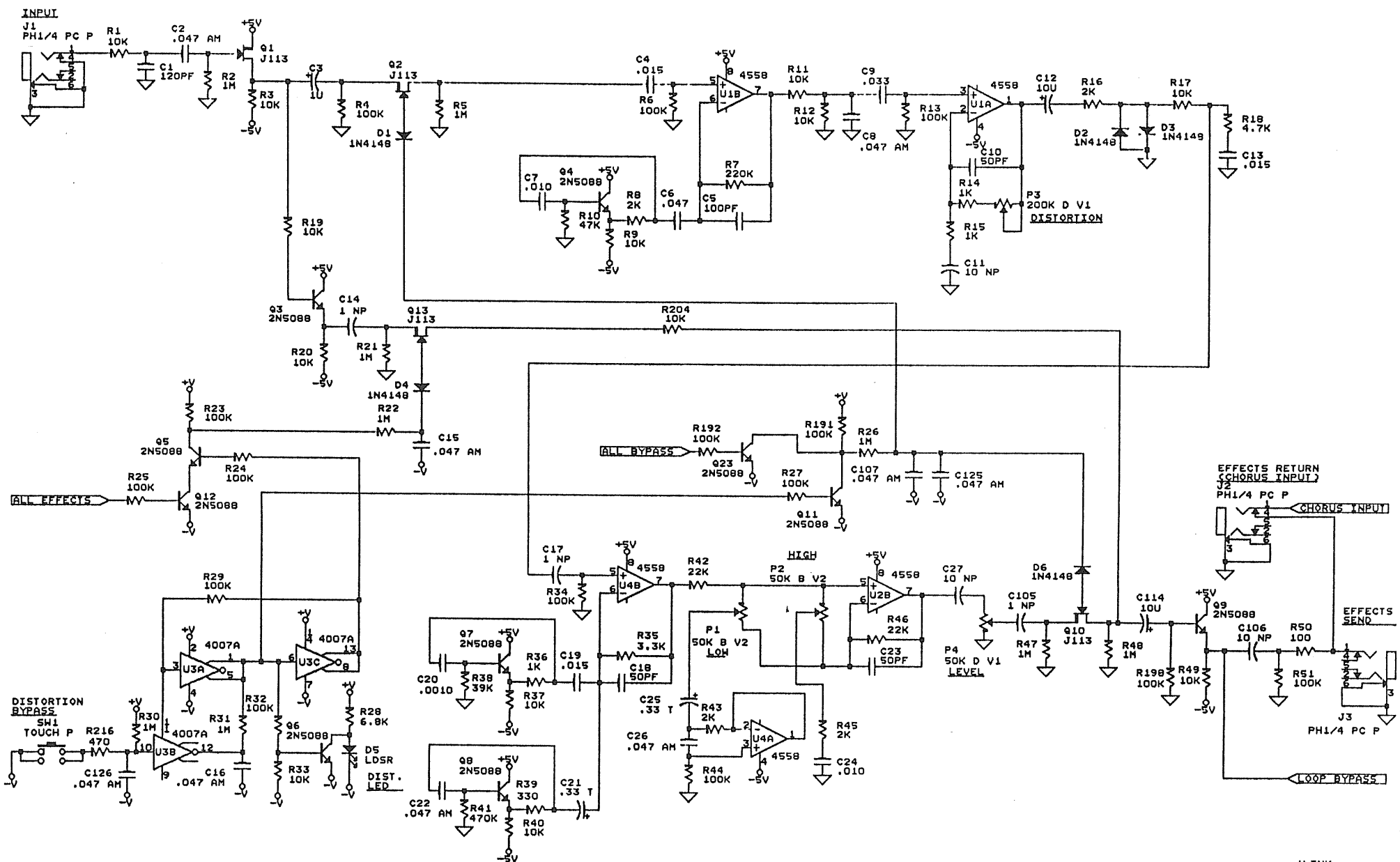
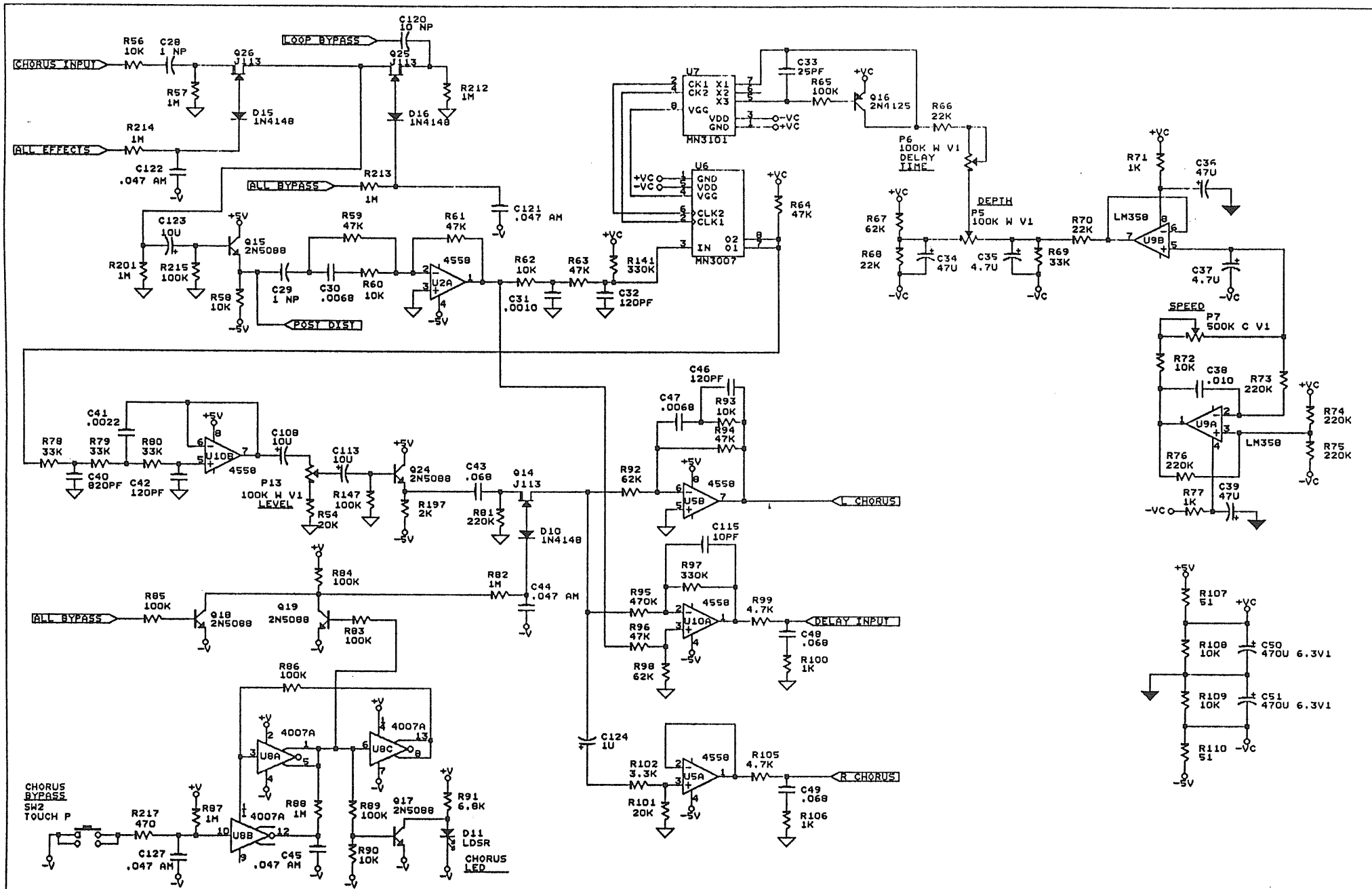


TR3 M&R
BLOCK DIAGRAM
Page 1 of 1 7/21/93

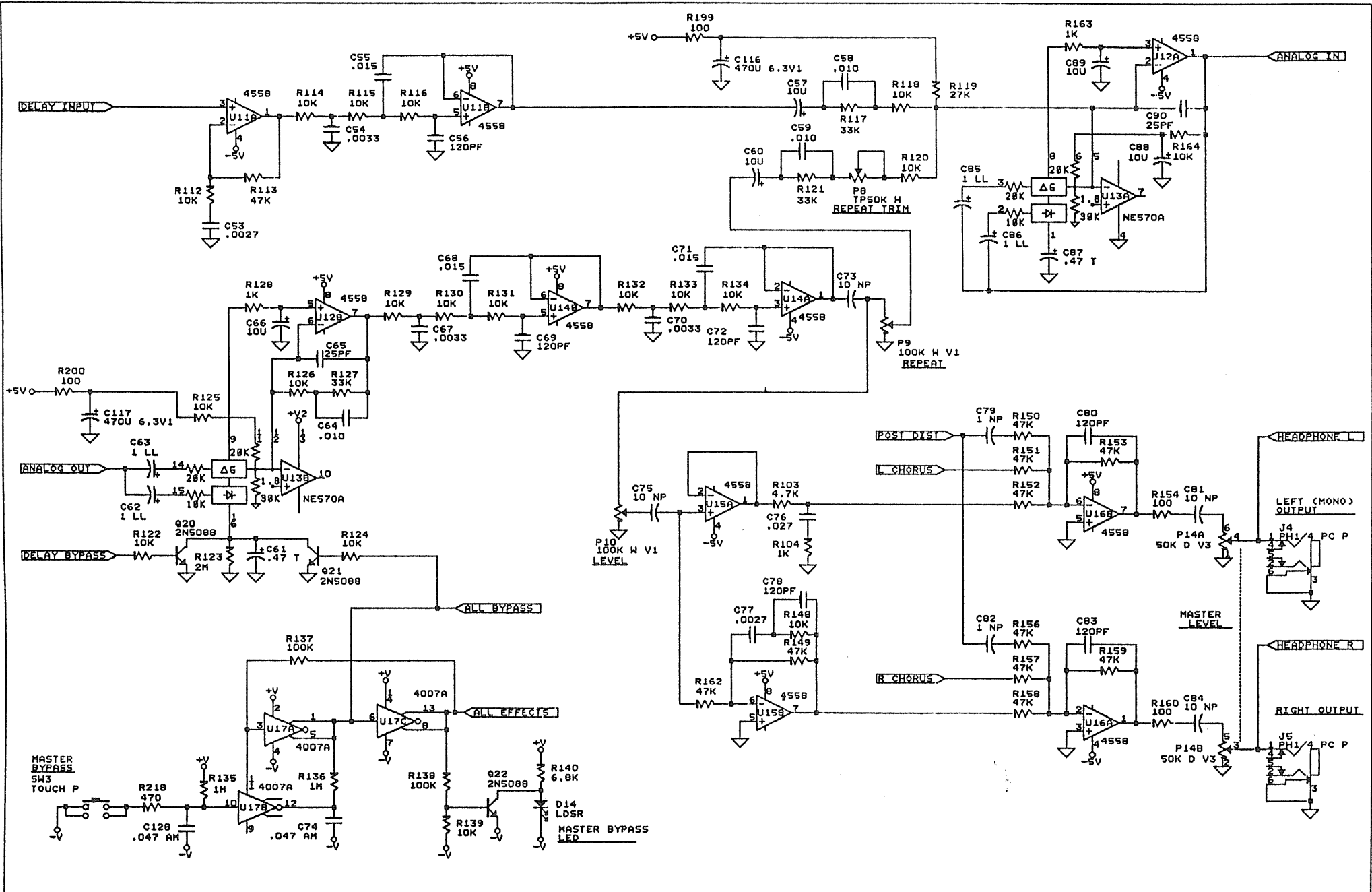


ILINK
 ITR3MA402.SCH
 ITR3MA403.SCH
 ITR3MA404.SCH
 ITR3MA405.SCH

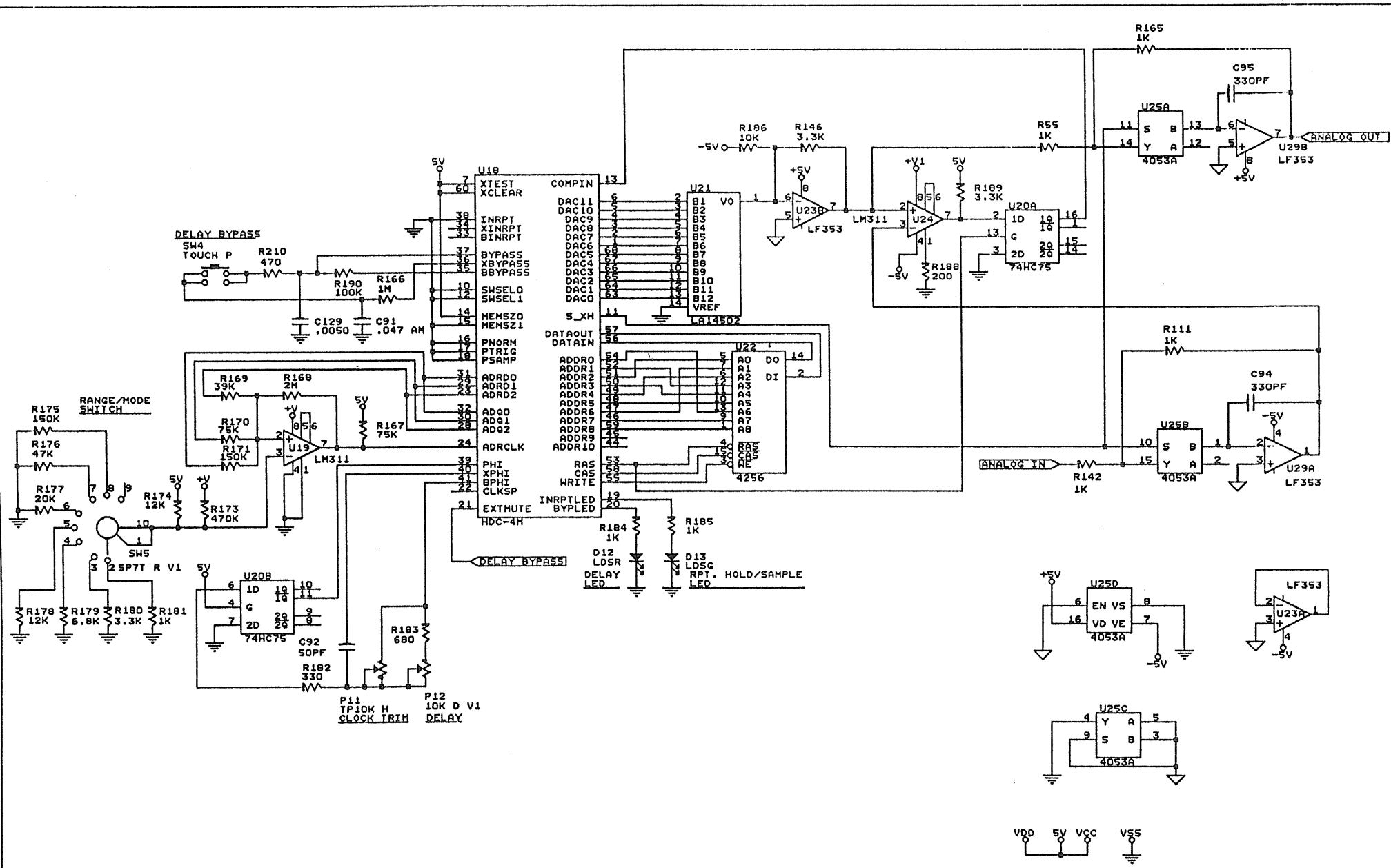
DOD	
5639 So. Riley Lane	
Salt Lake City, Utah 84107	
Title	
TR3M - DISTORTION SECTION 11-6020	
Size Document Number	
B	REV
8	A4
Date: January 19, 1993	Sheet 1 of 5



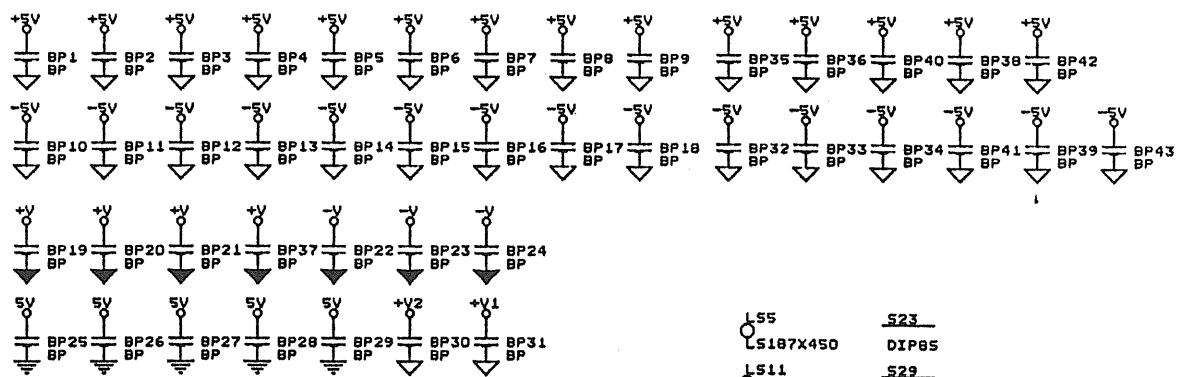
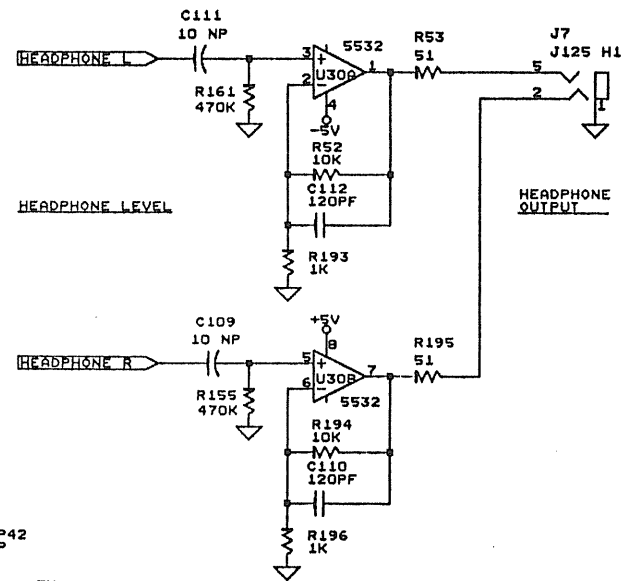
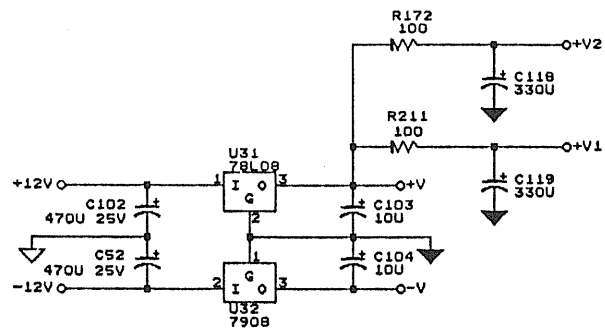
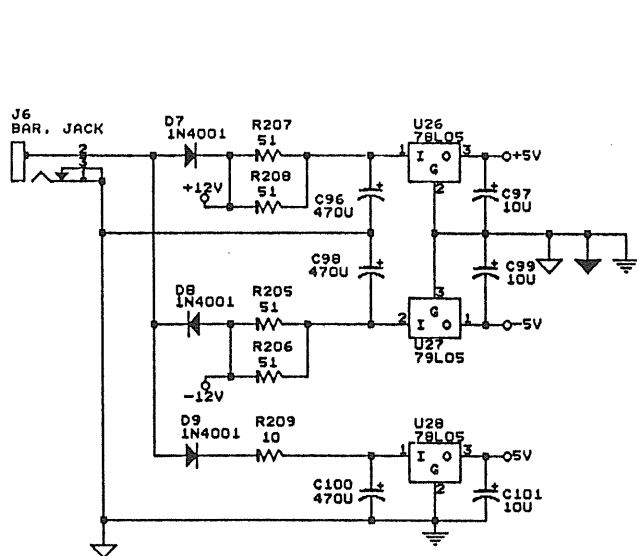
DOD		
5639 So. Riley Lane Salt Lake City, Utah 84107		
Title		
TR3M - CHORUS SECTION 11-6020		
Size Document Number		
B	TR3MA402.SCH	REV A4
Date:	January 19, 1993	Sheet 2 of 5



D00
 5639 So. Riley Lane
 Salt Lake City, Utah 84107
 Title
 TR3M - DELAY/SAMPLER ANALOG SECTION 11-6020
 Size Document Number
 8 TR3MA403.SCH REV A4
 Date January 19, 1993 Sheet 3 of 5



DOD
 5639 So. Riley Lane
 Salt Lake City, Utah 84107
 Title
 TR3M - DELAY/SAMPLER DIGITAL SECTION 11-6020
 Size Document Number
 B TR3MA404.SCH REV
 A4
 Date: January 19, 1993 Sheet 4 of 5



- L55 S23
- LS187X450 DIP85
- LS11 S29
- LS187X450 DIP85
- LS12 S30
- LS187X450 DIP85
- LS13 S22
- LS187X450 DIP165
- LS14 S18
- LS187X450 PLCC685

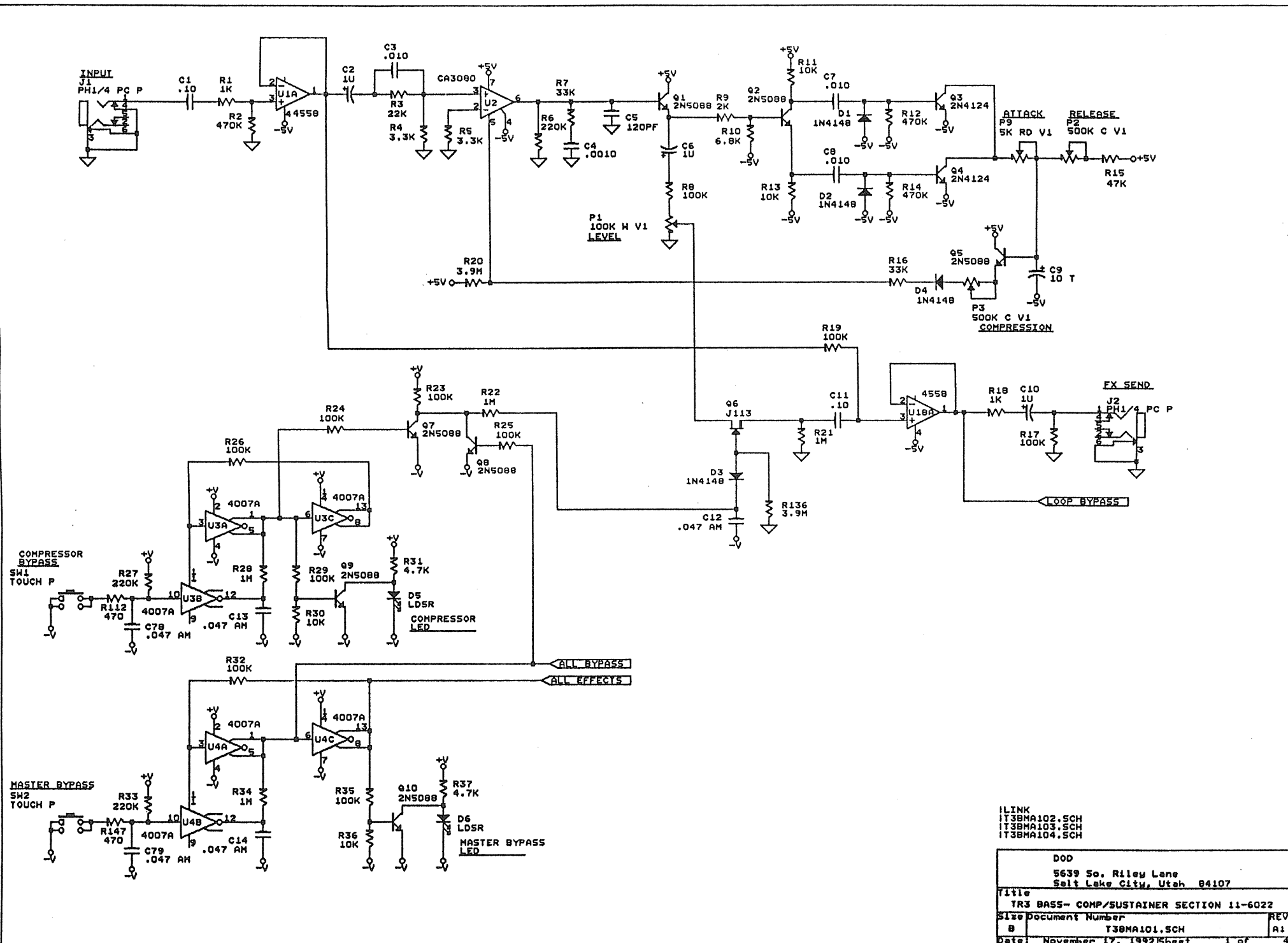
LAST REF.
 BP43
 C129
 J7
 P14
 Q26
 R218
 S45
 U32

DOD	
5639 So. Riley Lane Salt Lake City, Utah 84107	
Title	TR3M - POWER SUPPLY 11-6020
Size Document Number	B TR3MA405.SCH
Date	January 19, 1993 Sheet 5 of 5

Quan	Reference	Part	SYMAN	Description
43	BP1, BP2, BP3, BP4, BP5, BP6, BP7, BP8, BP9, BP10, BP11, BP12, BP13, BP14, BP15, BP16, BP17, BP18, BP19, BP20, BP21, BP22, BP23, BP24, BP25, BP26, BP27, BP28, BP29, BP30, BP31, BP32, BP33, BP34, BP35, BP36, BP37, BP38, BP39, BP40, BP41, BP42, BP43	BP	62-0067	0.047 uF Capacitor 20% 50V Axial Monolithic
12	C1, C32, C42, C46, C56, C69, C72, C78, C80, C83, C110, C112	120PF	62-0002	120 pF Capacitor 20% 50V Ceramic Disc
17	C2, C8, C15, C16, C22, C26, C44, C45, C74, C91, C107, C121, C122, C125, C126, C127, C128	.047 AM	62-0067	0.047 uF Capacitor 20% 50V Axial Monolithic
2	C3, C124	1U	60-0044-01	1.0 uF Capacitor -20%, +80% 50V Electrolytic
6	C4, C13, C19, C55, C68, C71	.015	56-2023	0.015 uF Capacitor 10% 100V Polyester Film
1	C5	100PF	62-0020	100 pF Capacitor 20% 50V Ceramic Disc
1	C6	.047	56-2028	0.047 uF Capacitor 10% 100V Polyester Film
6	C7, C24, C38, C58, C59, C64	.010	56-2022	0.010 uF Capacitor 10% 100V Polyester Film
1	C9	.033	56-2027	0.033 uF Capacitor 10% 100V Polyester Film
4	C10, C18, C23, C92	50PF	62-0008	50 pF Capacitor 5% 50V Ceramic Disc
10	C11, C27, C73, C75, C81, C84, C106, C109, C111, C120	10 NP	60-0051-01	10.0 uF Capacitor -20%, +80% 16V Elect., NP
15	C12, C57, C60, C66, C88, C89, C97, C99, C101, C103, C104, C108, C113, C114, C123	10U	60-0049-01	10.0 uF Capacitor -20%, +80% 16V Electrolytic
7	C14, C17, C28, C29, C79, C82, C105	1 NP	60-0046-01	1.0 uF Capacitor -20%, +80% 16V Elect., N.P.
2	C20, C31	.0010	56-2008	0.0010 uF Capacitor 10% 100V Polyester Film
2	C21, C25	.33 T	62-0160	0.33 uF Capacitor 10% 35V Tantalum
2	C30, C47	.0068	56-2018	0.0068 uF Capacitor 10% 100V Polyester Film
3	C33, C65, C90	25PF	62-0001	25 pF Capacitor 5% 50V Ceramic Disc
3	C34, C36, C39	47U	60-0054-01	47.0 uF Capacitor -20%, +80% 16V Electrolytic
2	C35, C37	4.7U	60-0048-01	4.7 uF Capacitor -20%, +80% 16V Electrolytic
1	C40	820PF	62-0005	820 pF Capacitor 20% 50V Ceramic Disc
1	C41	.0022	56-2012	0.0022 uF Capacitor 10% 100V Polyester Film
3	C43, C48, C49	.068	56-2033	0.068 uF Capacitor 10% 100V Polyester Film
4	C50, C51, C116, C117	470U 6.3V1	60-0304-01	470.0 uF Capacitor -20%, +80% 6.3V Electrolytic-D
2	C52, C102	470U 25V	60-0058	470.0 uF Capacitor -20%, +80% 25V Electrolytic-S
2	C53, C77	.0027	56-2013	0.0027 uF Capacitor 10% 100V Polyester Film
3	C54, C67, C70	.0033	56-2014	0.0033 uF Capacitor 10% 100V Polyester Film
2	C61, C87	.47 T	62-0161	0.47 uF Capacitor 10% 35V Tantalum
4	C62, C63, C85, C86	1 LL	60-0045-01	1.0 uF Capacitor 20% 50V Elect., LL
1	C76	.027	56-2026	0.027 uF Capacitor 10% 100V Polyester Film
2	C94, C95	330PF	62-0006	330 pF Capacitor 20% 50V Ceramic Disc
3	C96, C98, C100	470U	60-0057	470.0 uF Capacitor -20%, +80% 16V Electrolytic-S
1	C115	10PF	62-0013	10 pF Capacitor 5% 50V Ceramic Disc

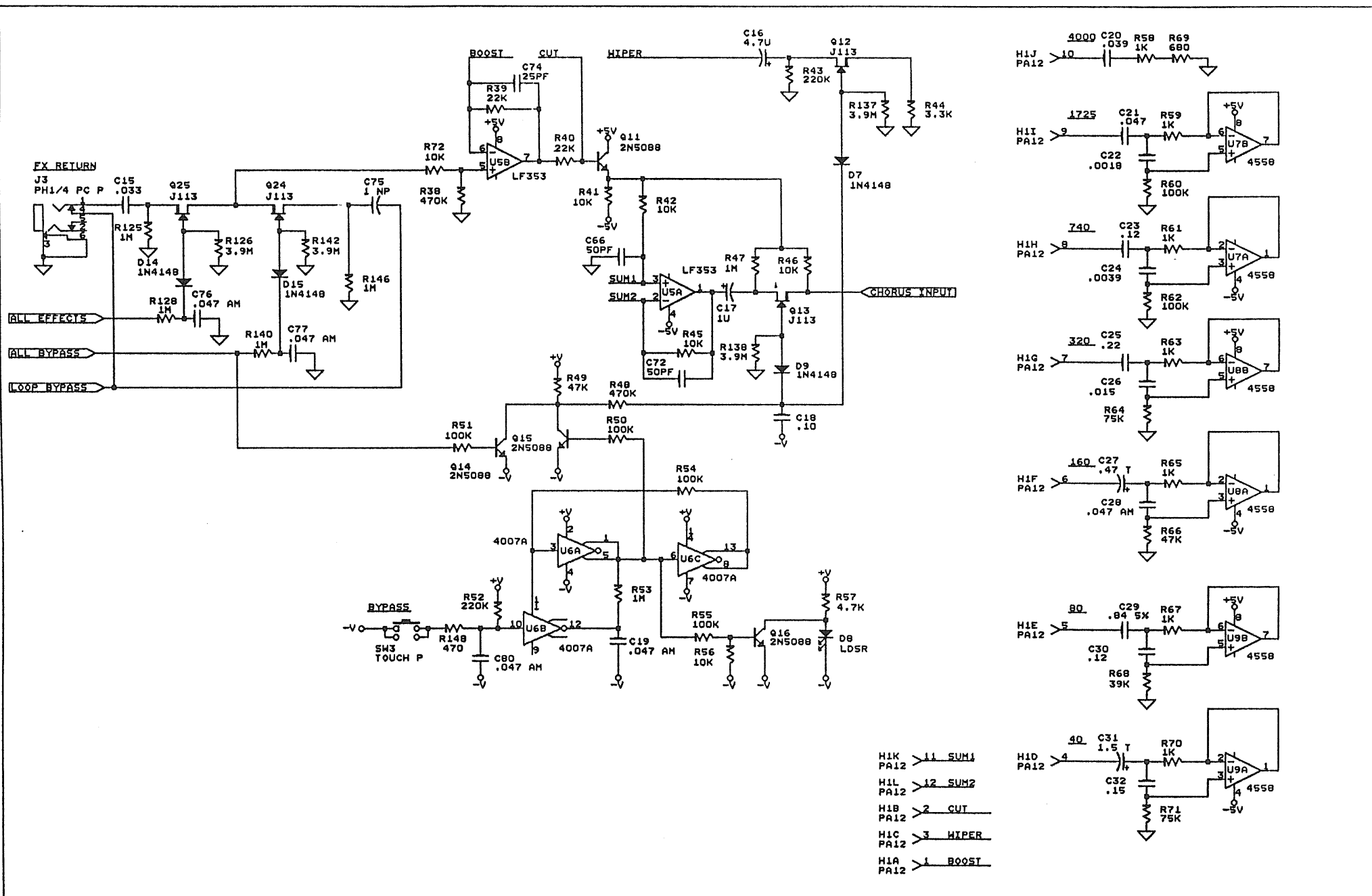
2	C118,C119	330U	60-0056	330.0 uF Capacitor -20%,+80% 16V Electrolytic-S
1	C129	.0050	56-2016	0.0050 uF Capacitor 10% 100V Polyester Film
8	D1,D2,D3,D4,D6,D10,D15, D16	1N4148	70-0002	1N4148 Silicon Switching Diode, 75 Volts PIV
4	D5,D11,D12,D14	LDSR	70-2061	Red Light Emitting Diode, T1 Case
3	D7,D8,D9	1N4001	70-0001	1N4001 Silicon Rectifier, 1 Amp, 50 Volts PIV
1	D13	LDSG	70-2062	Green Light Emitting Diode, T1 Case
5	J1,J2,J3,J4,J5	PH1/4 PC P	32-0091	1/4 Phone Jack, PCB Mount
1	J6	BAR. JACK	32-0089	Barrel Jack, PC Mount
1	J7	J125 H1	32-0094	1/8 Phone Jack, Horizontal Mount, Insulated tip
5	LS5,LS11,LS12,LS13,LS14	LS187X450	28-1018	Led Standoff, 0.187" OD x 0.120" ID x 0.450" Length
2	P1,P2	50K B V2	40-2052	50 K "B" Rot. Pot, 9mm, 30mm D shaft, CD, Ver.
1	P3	200K D V1	40-2054	200 K "D" Rot. Pot, 9mm, 30mm D shaft, Ver
1	P4	50K D V1	40-2051	50 K "D" Rot. Pot, 9mm, 30mm D shaft, Ver.
5	P5,P6,P9,P10,P13	100K W V1	40-2064	100 K "W" Rot. Pot, 9mm, 30mm D shaft, Ver
1	P7	500K C V1	40-2065	500 K "C" Rot. Pot, 9mm, 30mm D shaft, Ver
1	P8	TP50K H	42-0222	50 K Trim Pot, Horizontal Mount, 3/4 turn
1	P11	TP10K H	42-0211	10 K Trim Pot, Horizontal Mount, 3/4 turn
1	P12	10K D V1	40-2056	10 K "D" Rot. Pot, 9mm, 30mm D shaft, Ver.
1	P14	50K D V3	40-2053	50 K "D" Rot. Pot X2 14mm, 30mm D shaft, Ver.
7	Q1,Q2,Q10,Q13,Q14,Q25, Q26	J113	70-1011	J113A N-Channel JFET, RDS(on) < 80 Ohm, VGS(off) -5V
18	Q3,Q4,Q5,Q6,Q7,Q8,Q9,Q11, Q12,Q15,Q17,Q18,Q19,Q20, Q21,Q22,Q23,Q24	2N5088	70-1007	2N5088 Transistor, NPN, Low Level Amplifier Transistor
1	Q16	2N4125	70-1008	2N4125 PNP Gen. Purp. Amplifier/Switching Transistor
44	R1,R3,R9,R11,R12,R17,R19, R20,R33,R37,R40,R49,R52, R56,R58,R60,R62,R72,R90, R93,R108,R109,R112,R114, R115,R116,R118,R120,R122, R124,R125,R126,R129,R130, R131,R132,R133,R134,R139, R148,R164,R186,R194,R204	10K	50-0020	10 KOhm Resistor 5% 1/4 Watt Carbon Film
20	R2,R5,R21,R22,R26,R30, R31,R47,R48,R57,R82,R87, R88,R135,R136,R166,R201, R212,R213,R214	1M	50-0045	1 MOhm Resistor 5% 1/4 Watt Carbon Film
26	R4,R6,R13,R23,R24,R25, R27,R29,R32,R34,R44,R51, R65,R83,R84,R85,R86,R89, R137,R138,R147,R190,R191, R192,R198,R215	100K	50-0036	100 KOhm Resistor 5% 1/4 Watt Carbon Film
6	R7,R73,R74,R75,R76,R81	220K	50-0040	220 KOhm Resistor 5% 1/4 Watt Carbon Film
5	R8,R16,R43,R45,R197	2K	50-0013	2 KOhm Resistor 5% 1/4 Watt Carbon Film
19	R10,R59,R61,R63,R64,R94, R96,R113,R149,R150,R151, R152,R153,R156,R157,R158, R159,R162,R176	47K	50-0030	47 KOhm Resistor 5% 1/4 Watt Carbon Film
19	R14,R15,R36,R55,R71,R77, R100,R104,R106,R111,R128, R142,R163,R165,R181,R184, R185,R193,R196	1K	50-0012	1 KOhm Resistor 5% 1/4 Watt Carbon Film
4	R18,R99,R103,R105	4.7K	50 0015	4.7 KOhm Resistor 5% 1/4 Watt Carbon Film
4	R28,R91,R140,R179	6.8K	50 0016	6.8 KOhm Resistor 5% 1/4 Watt Carbon Film

5	R35, R102, R146, R180, R189	3.3K	50-0014	3.3	KOhm Resistor	5%	1/4 Watt	Carbon Film
2	R38, R169	39K	50-0029	39	KOhm Resistor	5%	1/4 Watt	Carbon Film
2	R39, R182	330	50-0005	330	Ohm Resistor	5%	1/4 Watt	Carbon Film
5	R41, R95, R155, R161, R173	470K	50-0042	470	KOhm Resistor	5%	1/4 Watt	Carbon Film
5	R42, R46, R66, R68, R70	22K	50-0025	22	KOhm Resistor	5%	1/4 Watt	Carbon Film
7	R50, R154, R160, R172, R199, R200, R211	100	50-0003	100	Ohm Resistor	5%	1/4 Watt	Carbon Film
8	R53, R107, R110, R195, R205, R206, R207, R208	51	50-0002	51	Ohm Resistor	5%	1/4 Watt	Carbon Film
3	R54, R101, R177	20K	50-0023	20	KOhm Resistor	5%	1/4 Watt	Carbon Film
3	R67, R92, R98	62K	50-0032	62	KOhm Resistor	5%	1/4 Watt	Carbon Film
7	R69, R78, R79, R80, R117, R121, R127	33K	50-0028	33	KOhm Resistor	5%	1/4 Watt	Carbon Film
2	R97, R141	330K	50-0041	330	KOhm Resistor	5%	1/4 Watt	Carbon Film
1	R119	27K	50-0027	27	KOhm Resistor	5%	1/4 Watt	Carbon Film
2	R123, R168	2M	50-0046	2	MOhm Resistor	5%	1/4 Watt	Carbon Film
2	R167, R170	75K	50-0033	75	KOhm Resistor	5%	1/4 Watt	Carbon Film
2	R171, R175	150K	50-0038	150	KOhm Resistor	5%	1/4 Watt	Carbon Film
2	R174, R178	12K	50-0021	12	KOhm Resistor	5%	1/4 Watt	Carbon Film
1	R183	680	50-0007	680	Ohm Resistor	5%	1/4 Watt	Carbon Film
1	R188	200	50-0004	200	Ohm Resistor	5%	1/4 Watt	Carbon Film
1	R209	10	50-0001	10	Ohm Resistor	5%	1/4 Watt	Carbon Film
4	R210, R216, R217, R218	470	50-0006	470	Ohm Resistor	5%	1/4 Watt	Carbon Film
1	S18	PLCC68S	70-3164	68	PLCC Socket			
1	S22	DIP16S	70-3022	16	Pin Dip Socket			
3	S23, S29, S30	DIP8S	70-3020	8	Pin Dip Socket			
4	SW1, SW2, SW3, SW4	TOUCH P	44-0032		Lite Touch Switch For FX/PDS			
1	SW5	SP7T R V1	44-0110		Single Pole 7 Throw Rot. Switch, Vertical, 25mm D Shaft			
10	U1, U2, U4, U5, U10, U11, U12, U14, U15, U16	4558	72-4024	4558	Wide Bandwidth Dual Op-Amp			
3	U3, U8, U17	4007A	72-0032		Dual CMOS Transistor Pair Plus CMOS Inverter			
1	U6	MN3007	72-3039		Bucket Brigade Delay			
1	U7	MN3101	72-3040		Clock Driver			
1	U9	LM358	72-4031		LM358 Dual Low Power Operational Amplifier			
1	U13	NE570A	72-4042		NE570 DUAL Compressor/Expander			
1	U18	HDC-4M	72-3141		HDC-4M DOD Custom Delay Chip Gate-Array			
2	U19, U24	LM311	72-4027		LM311 Analog Voltage Comparator			
1	U20	74HC75	72-1255		74HC75 Dual 4-Bit Bistable Latches			
1	U21	LA14502	54-0360		12 Bit R-2R Ladder, 5.00 kOhm 1% Thick Film			
1	U22	4256	72-3072		256K X 1 Dynamic Ram 250nS Access Time			
2	U23, U29	LF353	72-4030		LF353 Wide Bandwidth Dual JFET Input Op-Amp			
1	U25	4053A	72-0086		TRI 2 CH Analog Mux			
2	U26, U28	78L05	70-4012		78L05 +5 Volt 100 mA Voltage Regulator		TO-92	
1	U27	79L05	70-4127		78L05 -5 Volt 100 mA Voltage Regulator		TO-92	
1	U30	5532	72-4023		5532 Low Noise Dual Op-Amp			
1	U31	78L08	70-4016		78L08 +8 Volt 100 mA Voltage Regulator		TO-92	
1	U32	7908	70-4015		7908 -8 Volt 1 Amp Voltage Regulator		TO-220	



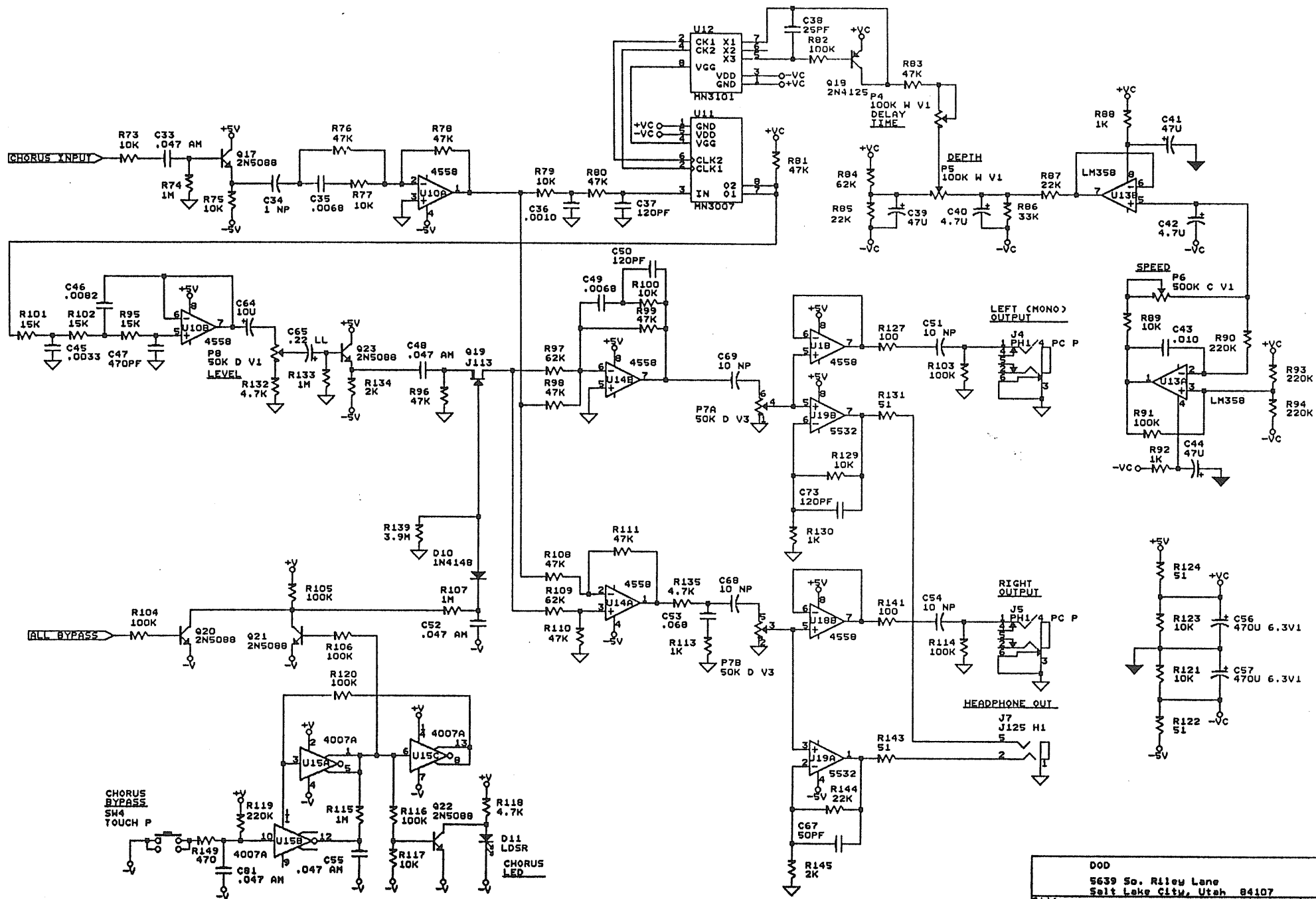
ILINK
 IT3BMA102.SCH
 IT3BMA103.SCH
 IT3BMA104.SCH

DOD		
5639 So. Riley Lane		
Salt Lake City, Utah 84107		
Title		
TR3 BASS- COMP/SUSTAINER SECTION 11-6022		
Size Document Number		
B	IT3BMA101.SCH	REV A1
Date:	November 17, 1992	Sheet 1 of 4

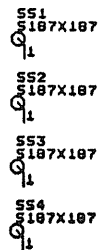
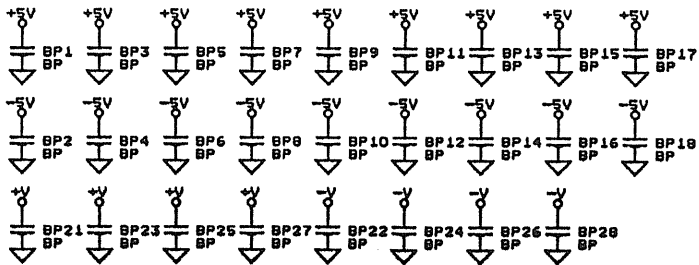
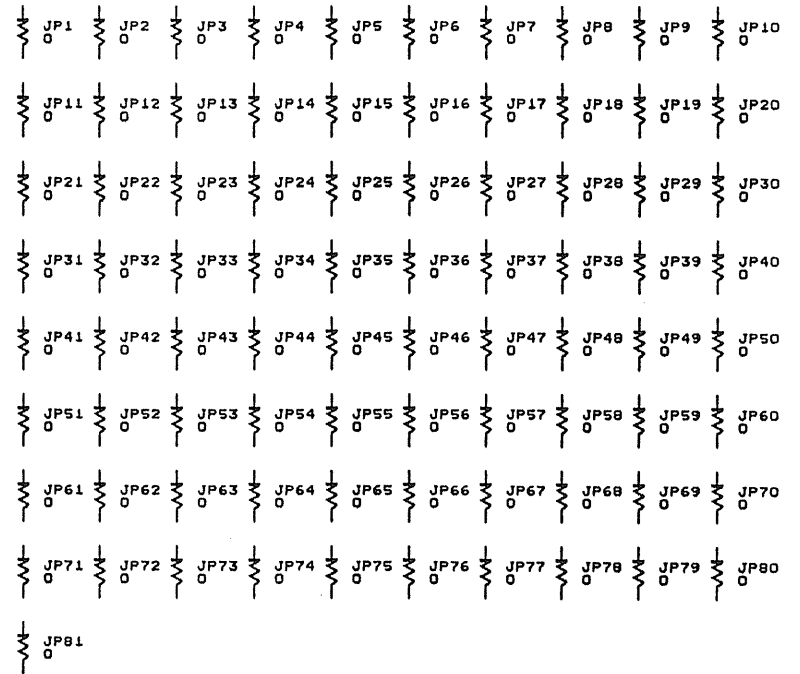
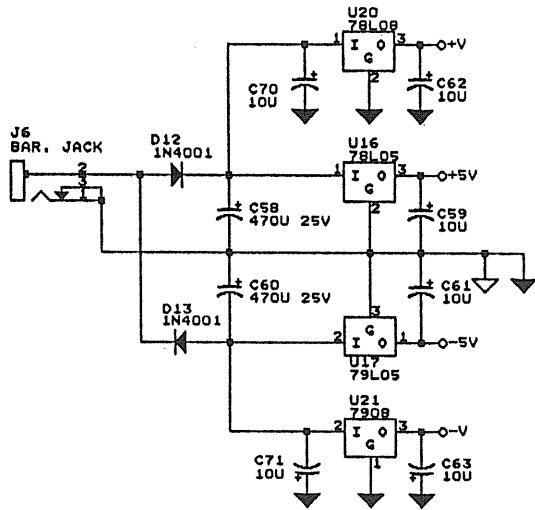


- H1K PA12 > 11 SUM1
- H1L PA12 > 12 SUM2
- H1B PA12 > 2 CUT
- H1C PA12 > 3 HIFER
- H1A PA12 > 1 BOOST

DOD		
5639 So. Riley Lane Salt Lake City, Utah 84107		
Title		
TR3 BASS - EQ SECTION 11-6022		
Size Document Number		
B	T3BMA102.SCH	REV A1
Date:	November 17, 1992	Sheet 2 of 4



DOD
 5639 So. Riley Lane
 Salt Lake City, Utah 84107
 Title
 TR3 BASS - CHORUS SECTION 11-6022
 Size Document Number
 B Y3BMA103.SCH REV A1
 Date: November 17, 1992 Sheet 3 of 4



LAST REF.
 BP20
 C61
 D15
 H1
 J7
 L54
 P9
 Q25
 R149
 SS4
 SH4
 U22

DOD	
5639 So. Riley Lane Salt Lake City, Utah 84107	
Title TR3 BASS - POWER SUPPLY 11-6022	
Size B	Document Number 13BMA104.SCH
Date: November 17, 1992	Sheet 4 of 4

TR3 BASS 11-6022
 TRBMA101.SCH
 Bill Of Materials
 Quan Reference

Revised: November 17, 1992

Revision: A1

July 12, 1993

3:42:45

Part SYMAN Description

Quan	Reference	Part	SYMAN	Description
26	RP1,BP2,BP3,BP4,BP5,BP6, BP7,BP8,BP9,BP10,RP11, BP12,BP13,BP14,BP15,BP16, BP17,BP18,BP21,BP22,BP23, BP24,BP25,BP26,BP27,BP28	BP	62-0067	0.047 uF Capacitor 20% 50V Axial Monolithic
3	C1,C11,C18	.10	56-2035	0.10 uF Capacitor 10% 100V Polyester Film
4	C2,C6,C10,C17	1U	60-0044-01	1.0 uF Capacitor -20%,+80% 50V Electrolytic
4	C3,C7,C8,C43	.010	56-2022	0.010 uF Capacitor 10% 100V Polyester Film
2	C4,C36	.0010	56-2008	0.0010 uF Capacitor 10% 100V Polyester Film
4	C5,C37,C50,C73	120PF	62-0002	120 pF Capacitor 20% 50V Ceramic Disc
1	C9	10 T	62-0163	10.0 uF Capacitor 10% 16V Tantalum
15	C12,C13,C14,C19,C28,C33, C48,C52,C55,C76,C77,C78, C79,C80,C81	.047 AM	62-0067	0.047 uF Capacitor 20% 50V Axial Monolithic
1	C15	.033	56-2027	0.033 uF Capacitor 10% 100V Polyester Film
3	C16,C40,C42	4.7U	60-0048-01	4.7 uF Capacitor -20%,+80% 16V Electrolytic
1	C20	.039	56-2021	0.039 uF Capacitor 10% 100V Polyester Film
1	C21	.047	56-2028	0.047 uF Capacitor 10% 100V Polyester Film
1	C22	.0018	56-2011	0.0018 uF Capacitor 10% 100V Polyester Film
2	C23,C30	.12	56-2034	0.12 uF Capacitor 10% 100V Polyester Film
1	C24	.0039	56-2015	0.0039 uF Capacitor 10% 100V Polyester Film
1	C25	.22	56-2038	0.22 uF Capacitor 10% 100V Polyester Film
1	C26	.015	56-2023	0.015 uF Capacitor 10% 100V Polyester Film
1	C27	.47 T	62-0161	0.47 uF Capacitor 10% 35V Tantalum
1	C29	.84 5%	56-1230	0.84 uF Capacitor 5% 100V Polyester Film
1	C31	1.5 T	62-0164	1.5 uF Capacitor 20% 25V Tantalum
1	C32	.15	56-2036	0.15 uF Capacitor 10% 100V Polyester Film
2	C34,C75	1 NP	60-0046-01	1.0 uF Capacitor -20%,+80% 16V Elect., N.P.
2	C35,C49	.0068	56-2018	0.0068 uF Capacitor 10% 100V Polyester Film
2	C38,C74	25PF	62-0001	25 pF Capacitor 5% 50V Ceramic Disc
3	C39,C41,C44	47U	60-0054-01	47.0 uF Capacitor -20%,+80% 16V Electrolytic
1	C45	.0033	56-2014	0.0033 uF Capacitor 10% 100V Polyester Film
1	C46	.0082	56-2019	0.0082 uF Capacitor 10% 100V Polyester Film
1	C47	470PF	62-0003	470 pF Capacitor 20% 50V Ceramic Disc
4	C51,C54,C68,C69	10 NP	60-0051-01	10.0 uF Capacitor -20%,+80% 16V Elect., NP
1	C53	.068	56-2033	0.068 uF Capacitor 10% 100V Polyester Film
2	C56,C57	470U 6.3V1	60-0304-01	470.0 uF Capacitor -20%,+80% 6.3V Electrolytic-D
2	C58,C60	470U 25V	60-0058	470.0 uF Capacitor -20%,+80% 25V Electrolytic-S
7	C59,C61,C62,C63,C64,C70, C71	10U	60-0049-01	10.0 uF Capacitor -20%,+80% 16V Electrolytic
1	C65	.22 LL	60-0039	0.22 uF Capacitor 20% 50V Electrolytic, LL-S
3	C66,C67,C72	50PF	62-0008	50 pF Capacitor 5% 50V Ceramic Disc
9	D1,D2,D3,D4,D7,D9,D10, D14,D15	1N4148	70-0002	1N4148 Silicon Switching Diode, 75 Volts PIV
4	D5,D6,D8,D11	LD5R	70-2061	Red Light Emitting Diode, T1 Case
2	D12,D13	1N4001	70-0001	1N4001 Silicon Rectifier, 1 Amp, 50 Volts PIV
1	H1	PA12	-----	12 Pin Pad, Not a part
5	J1,J2,J3,J4,J5	PH1/4 PC P	32-0091	1/4 Phone Jack, PCB Mount
1	J6	BAR. JACK	32-0089	Barrel Jack, PC Mount
1	J7	J125 H1	32-0094	1/8 Phone Jack, Horizontal Mount, Insulated tip

81	JP1,JP2,JP3,JP4,JP5,JP6, JP7,JP8,JP9,JP10,JP11, JP12,JP13,JP14,JP15,JP16, JP17,JP18,JP19,JP20,JP21, JP22,JP23,JP24,JP25,JP26, JP27,JP28,JP29,JP30,JP31, JP32,JP33,JP34,JP35,JP36, JP37,JP38,JP39,JP40,JP41, JP42,JP43,JP44,JP45,JP46, JP47,JP48,JP49,JP50,JP51, JP52,JP53,JP54,JP55,JP56, JP57,JP58,JP59,JP60,JP61, JP62,JP63,JP64,JP65,JP66, JP67,JP68,JP69,JP70,JP71, JP72,JP73,JP74,JP75,JP76, JP77,JP78,JP79,JP80,JP81	0	50-0050	0	Ohm Resistor	5%	1/4 Watt Carbon Film
3	P1,P4,P5	100K W V1	40-2064	100 K "W"	Rot. Pot,	9mm, 30mm	D shaft, Ver
3	P2,P3,P6	500K C V1	40-2065	500 K "C"	Rot. Pot,	9mm, 30mm	D shaft, Ver
1	P7	50K D V3	40-2053	50 K "D"	Rot. Pot X2	14mm, 30mm	D shaft, Ver.
1	P8	50K D V1	40-2051	50 K "D"	Rot. Pot,	9mm, 30mm	D shaft, Ver.
1	P9	5K RD V1	40-2050	5 K "RD"	Rot. Pot,	9mm, 30mm	D shaft, Ver.
16	Q1,Q2,Q5,Q7,Q8,Q9,Q10, Q11,Q14,Q15,Q16,Q17,Q20, Q21,Q22,Q23	2N5088	70-1007	2N5088	Transistor, NPN,	Low Level Amplifier Transistor	
2	Q3,Q4	2N4124	70-1009	2N4124	NPN Gen. Purp. Amplifier/Switching Transistor		
6	Q6,Q12,Q13,Q19,Q24,Q25	J113	70-1011	J113A	N-Channel JFET, RDS(on) < 80 Ohm, VGS(off) -5V		
1	Q18	2N4125	70-1008	2N4125	PNP Gen. Purp. Amplifier/Switching Transistor		
13	R1,R18,R58,R59,R61,R63, R65,R67,R70,R88,R92,R113, R130	1K	50-0012	1	KOhm Resistor	5%	1/4 Watt Carbon Film
5	R2,R12,R14,R38,R48	470K	50-0042	470	KOhm Resistor	5%	1/4 Watt Carbon Film
6	R3,R39,R40,R85,R87,R144	22K	50-0025	22	KOhm Resistor	5%	1/4 Watt Carbon Film
3	R4,R5,R44	3.3K	50-0014	3.3	KOhm Resistor	5%	1/4 Watt Carbon Film
9	R6,R27,R33,R43,R52,R90, R93,R94,R119	220K	50-0040	220	KOhm Resistor	5%	1/4 Watt Carbon Film
3	R7,R16,R86	33K	50-0028	33	KOhm Resistor	5%	1/4 Watt Carbon Film
25	R8,R17,R19,R23,R24,R25, R26,R29,R32,R35,R50,R51, R54,R55,R60,R62,R82,R91, R103,R104,R105,R106,R114, R116,R120	100K	50-0036	100	KOhm Resistor	5%	1/4 Watt Carbon Film
3	R9,R134,R145	2K	50-0013	2	KOhm Resistor	5%	1/4 Watt Carbon Film
1	R10	6.8K	50-0016	6.8	KOhm Resistor	5%	1/4 Watt Carbon Film
20	R11,R13,R30,R36,R41,R42, R45,R46,R56,R72,R73,R75, R77,R79,R89,R100,R117, R121,R123,R129	10K	50-0020	10	KOhm Resistor	5%	1/4 Watt Carbon Film
14	R15,R49,R66,R76,R78,R80, R81,R83,R96,R98,R99,R108, R110,R111	47K	50-0030	47	KOhm Resistor	5%	1/4 Watt Carbon Film
7	R20,R126,R136,R137,R138, R139,R142	3.9M	50-0048	3.9	MOhm Resistor	5%	1/4 Watt Carbon Film
14	R21,R22,R28,R34,R47,R53, R74,R107,R115,R125,R128,	1M	50-0045	1	MOhm Resistor	5%	1/4 Watt Carbon Film

6	R133,R140,R146 R31,R37,R57,R118,R132, R135	4.7K	50-0015	4.7	KOhm Resistor	5%	1/4 Watt Carbon Film
2	R64,R71	75K	50-0033	75	KOhm Resistor	5%	1/4 Watt Carbon Film
1	R68	39K	50-0029	39	KOhm Resistor	5%	1/4 Watt Carbon Film
1	R69	680	50-0007	680	Ohm Resistor	5%	1/4 Watt Carbon Film
3	R84,R97,R109	62K	50-0032	62	KOhm Resistor	5%	1/4 Watt Carbon Film
3	R95,R101,R102	15K	50-0019	15	KOhm Resistor	5%	1/4 Watt Carbon Film
4	R112,R147,R148,R149	470	50-0006	470	Ohm Resistor	5%	1/4 Watt Carbon Film
4	R122,R124,R131,R143	51	50-0002	51	Ohm Resistor	5%	1/4 Watt Carbon Film
2	R127,R141	100	50-0003	100	Ohm Resistor	5%	1/4 Watt Carbon Film
4	SS1,SS2,SS3,SS4	S187X187	28-0903		Swage Standoff, 0.187" Round x 0.187"H,		4-40
4	SW1,SW2,SW3,SW4	TOUCH P	44-0032		Lite Touch Switch For FX/PDS		
7	U1,U7,U8,U9,U10,U14,U18	4558	72-4024		4558 Wide Bandwidth Dual Op-Amp		
1	U2	CA3080	72-4120		Transconductance AMP		
4	U3,U4,U6,U15	4007A	72-0032		Dual CMOS Transistor Pair Plus CMOS Inverter		
1	U5	LF353	72-4030		LF353 Wide Bandwidth Dual JFET Input Op-Amp		
1	U11	MN3007	72-3039		Bucket Brigade Delay.		
1	U12	MN3101	72-3040		Clock Driver		
1	U13	LM358	72-4031		LM358 Dual Low Power Operational Amplifier		
1	U16	78L05	70-4012		78L05 +5 Volt 100 mA Voltage Regulator		TO-92
1	U17	79L05	70-4127		78L05 -5 Volt 100 mA Voltage Regulator		TO-92
1	U19	5532	72-4023		5532 Low Noise Dual Op-Amp		
1	U20	78L08	70-4016		78L08 +8 Volt 100 mA Voltage Regulator		TO-92
1	U21	7908	70-4015		7908 -8 Volt 1 Amp Voltage Regulator		TO-220

TR3 BASS - POT BOARD 11-6023
T3BSA001.SCH
Bill Of Materials
Quan Reference

Revised: October 25, 1992
Revision: A0
July 12, 1993 4:04:44
Part SYMAN Description

1	H1	RC2.5_12_	32-1070		12 Pin Ribbon Cable, 2.54mm spacing, 0.80" Length
8	P1,P2,P3,P4,P5,P6,P7,P8	P100K W S2	40-1008OLD		100 K "W" Slide Pot., 20mm Throw, 10mm Shaft