

85 237 \*1  
85 240 \*2

85 239 / 85261 \*2  
85 236B \*1

\*4: 6800µ ( 85236 )  
4700µ ( 85239/85261 )

\*3 : 39U ( L300 )  
52U ( L500/P550 )  
67U ( L1000/P1050 )

MAINS TRANSFORMER  
DCN 348 606 ( L300 )  
DCN 348 529 ( L500 / P550 )  
DCN 348 608 ( L1000 / P1050 )

NOTES:  
CONNECTORS:  
CN2 : POWER SUPPLY & INPUT CONTROL ( 8 )  
CN3 : OUTPUT CONTROL & SENSE ( 8 )  
CN4/5 : FANS ( 3 )  
CN6 : THERMAL RESISTOR / TRANSFORMER ( 3 )  
CN7-9 : LOW AC FROM TRANSFORMER

\*1 : ONLY L500 / L300  
\*2 : ONLY L1000  
\*5 : UB: 15V (SPEED 1)  
21V (SPEED 2)  
26V (SPEED 3)

○ AC VOLTAGE 50/60 HZ MEASURED VOLTMETER 2000 OHMS/V  
□ DC VOLTAGE MEASURED WITH VOLTMETER 100kOHM/V

ALTERATIONS RESERVED!

SYMB.	REVISION	DATE	NAME	Last modified: 09.05.1997 11:36:24	Last plotted: 30.07.2002 09:59:58
H	34/97	9.5.	RST		
G	25/96	13.2.	JST		
F	17/95	27.3.	JST		
E	129/94	20.10.	JST	CHK'D	STADLER
D	103/94	14.9.	JST	APP'D	
C	76/94	16.6.	JST		
B	74/94	16.6.	JST		
A	37/94	2.5.	JST		

Lcontrol

POWER SUPPLY  
TURN ON DELAY  
FAN CONTROL

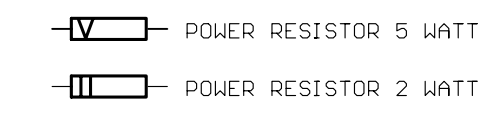
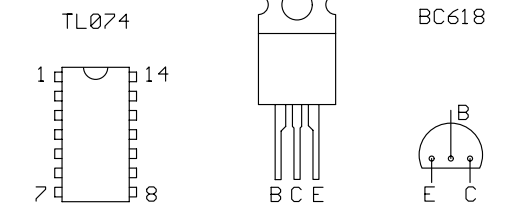
CIRCUIT DIAGRAM

1/1

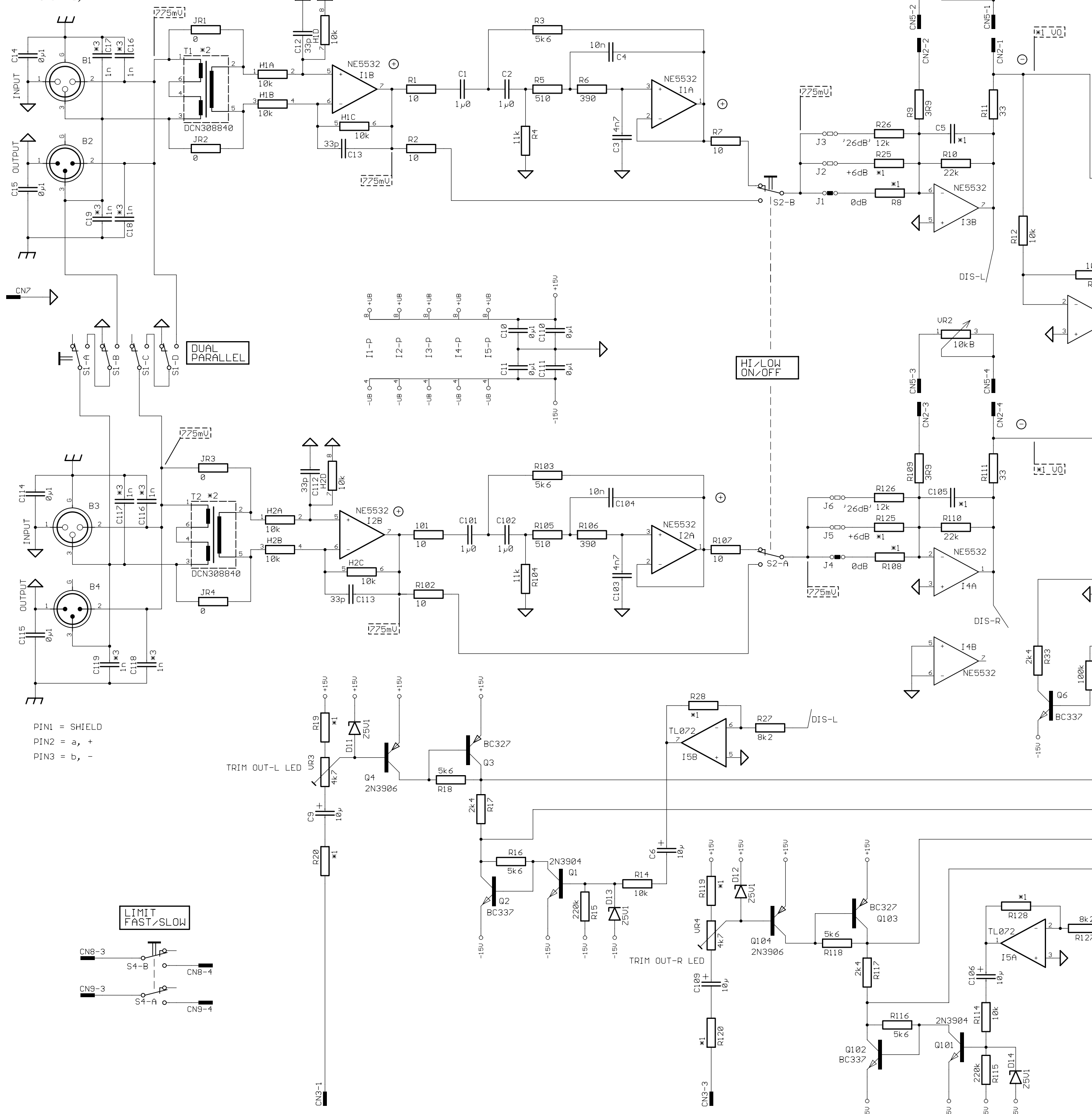
348 615

L300/500/1000 P550/1050

2-



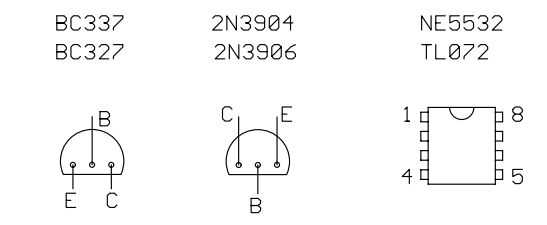
PIN1 = SHIELD  
 PIN2 = a, +  
 PIN3 = b, -



NOTES:

*1	PCB-NUMBER	C5/C105	R8/R108	R25/R125	R19/119	R20/R120	R28/R128	U0
L300	81306	220p	7k5	15k	10k	3k3	220k	710mV
L500	81307	220p	5k6	11k	10k	6k8	150k	950mV
L1000	81303	47p	4k3	8k2	6k8	10k	130k	1,24V
L500 S	81327	220p	5k6	11k	10k	6k8	150k	950mV
L1000 S	81328	47p	4k3	8k2	6k8	10k	130k	1,24V

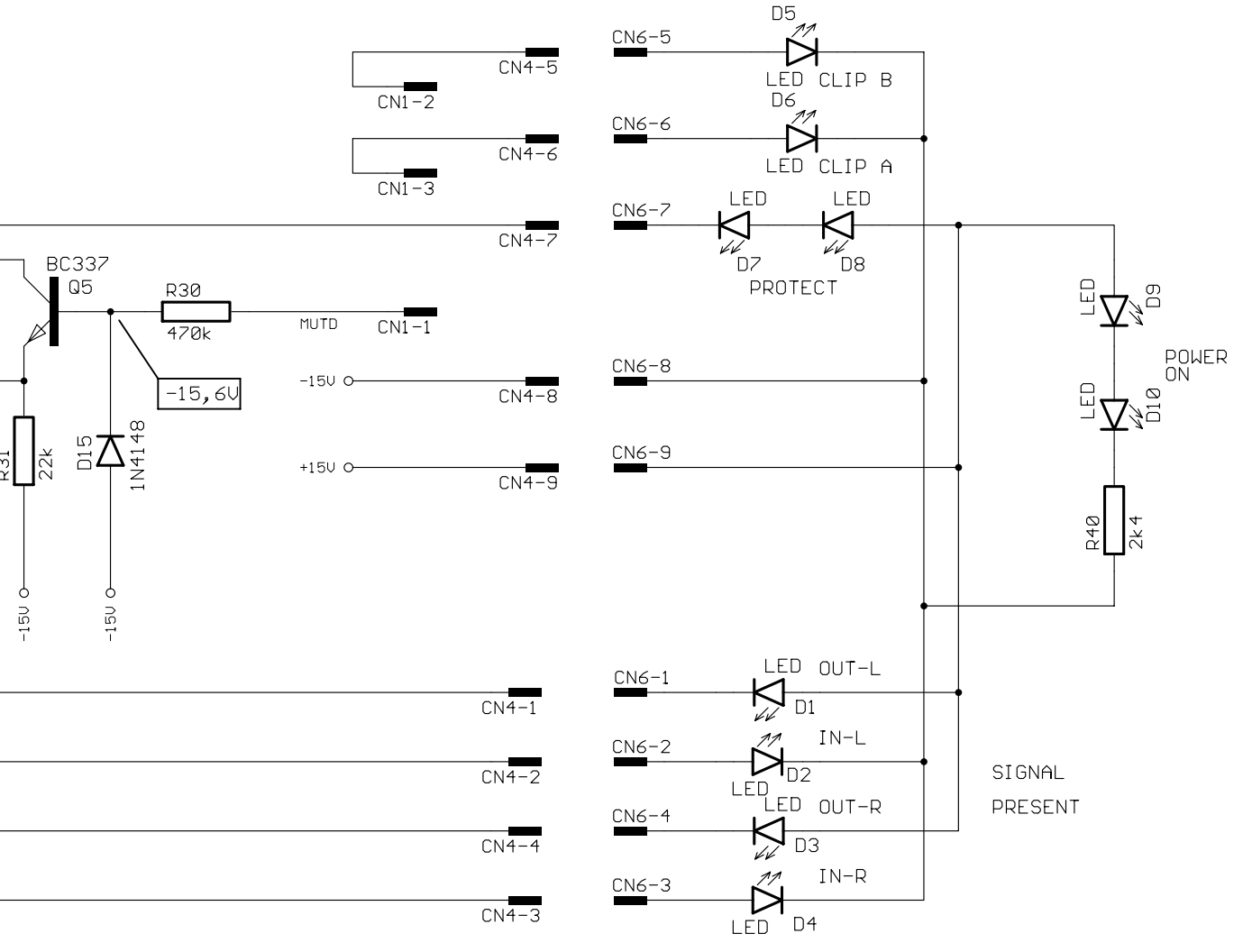
\*2 : INPUT TRANSFORMERS OPTIONAL ONLY  
 \*3 : ONLY FITTED ON 81327 AND 81328



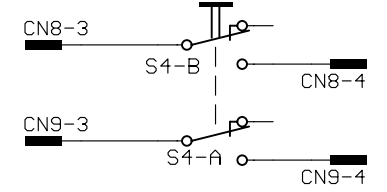
CONNECTORS:  
 CN 1 : POWER AMP IN  
 CN 2/5 : VOLUME POT  
 CN 3 : AMP OUT DISPLAY  
 CN 4/6 : DISPLAY LEDES  
 CN 7 : GROUND  
 CN 8/9 : LIMITER R&L

--- AC VOLTAGE 1000 HZ, MEASURED WITH UTVM  
 □ DC VOLTAGE MEASURED WITH VOLTMETER 100kOHM/V

PIN1 = SHIELD  
 PIN2 = a, +  
 PIN3 = b, -

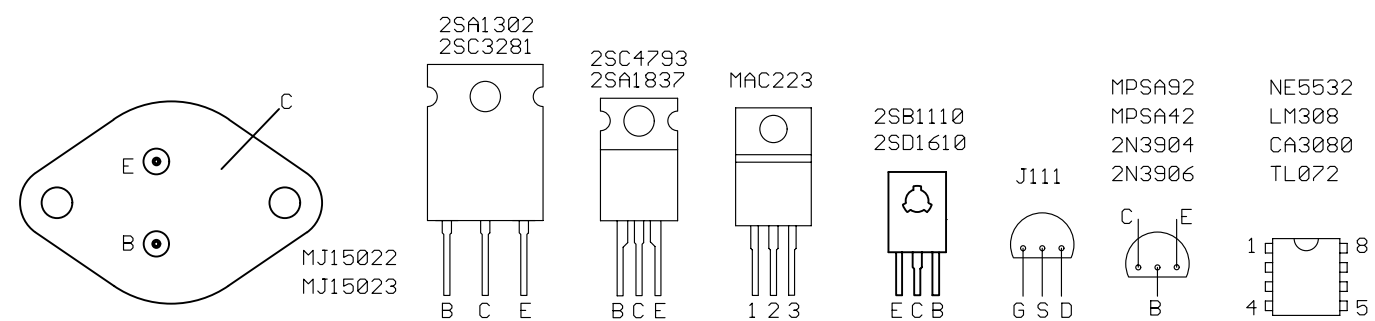


LIMIT FAST/SLOW



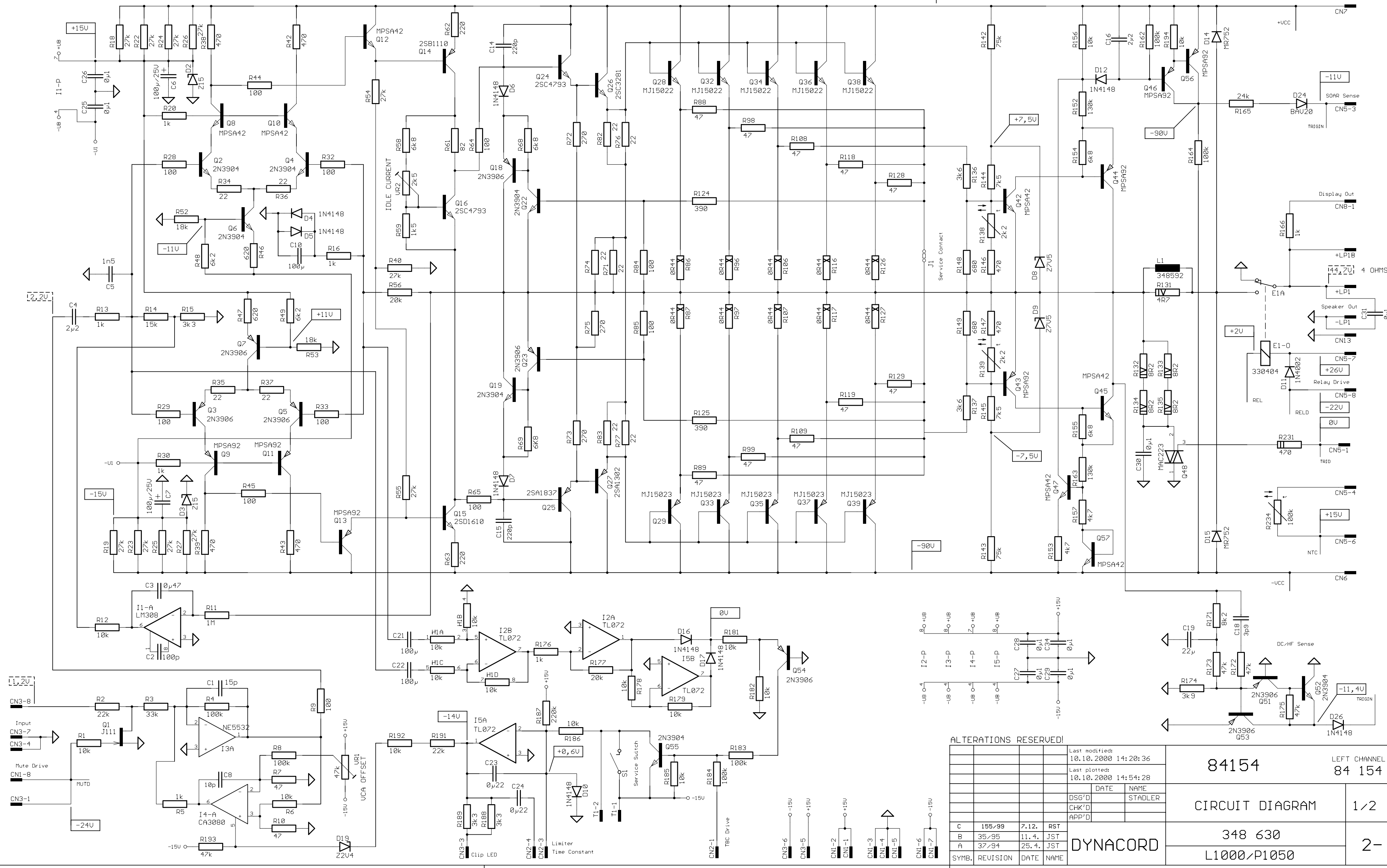
ALTERATIONS RESERVED!

				Last modified: 10.10.2000 14:18:12		81303				
				Last plotted: 10.10.2000 14:53:11						
				DATE	NAME	CIRCUIT DIAGRAM		1/1		
				DSG'D	Stadler					
				CHK'D						
				APP'D		348 614		2-		
C	155/99	7.12.	RST	DYNACORD					L300 / 500 / 1000	
B	44/96	24.6.	JST							
A	40/94	21.4.	JST							
SYMB.	REVISION	DATE	NAME							



AC VOLTAGE 1000 HZ, MEASURED WITH UTVM  
 DC VOLTAGE MEASURED WITH VOLTMETER 100kOHM/V

NOTES: CONNECTORS:  
 CN1 : LOW VOLTAGE POWER SUPPLY & MUTE  
 CN2/302 : TBC & TIME CONSTANT ( P1050 ONLY )  
 CN3 : INPUT & LIMIT ON/OFF & CLIP LED  
 CN5 : OUTPUT CONTROL  
 CN6/7/13 : HIGH VOLTAGE POWER SUPPLY  
 CN8 : OUTPUT DISPLAY



ALTERATIONS RESERVED!

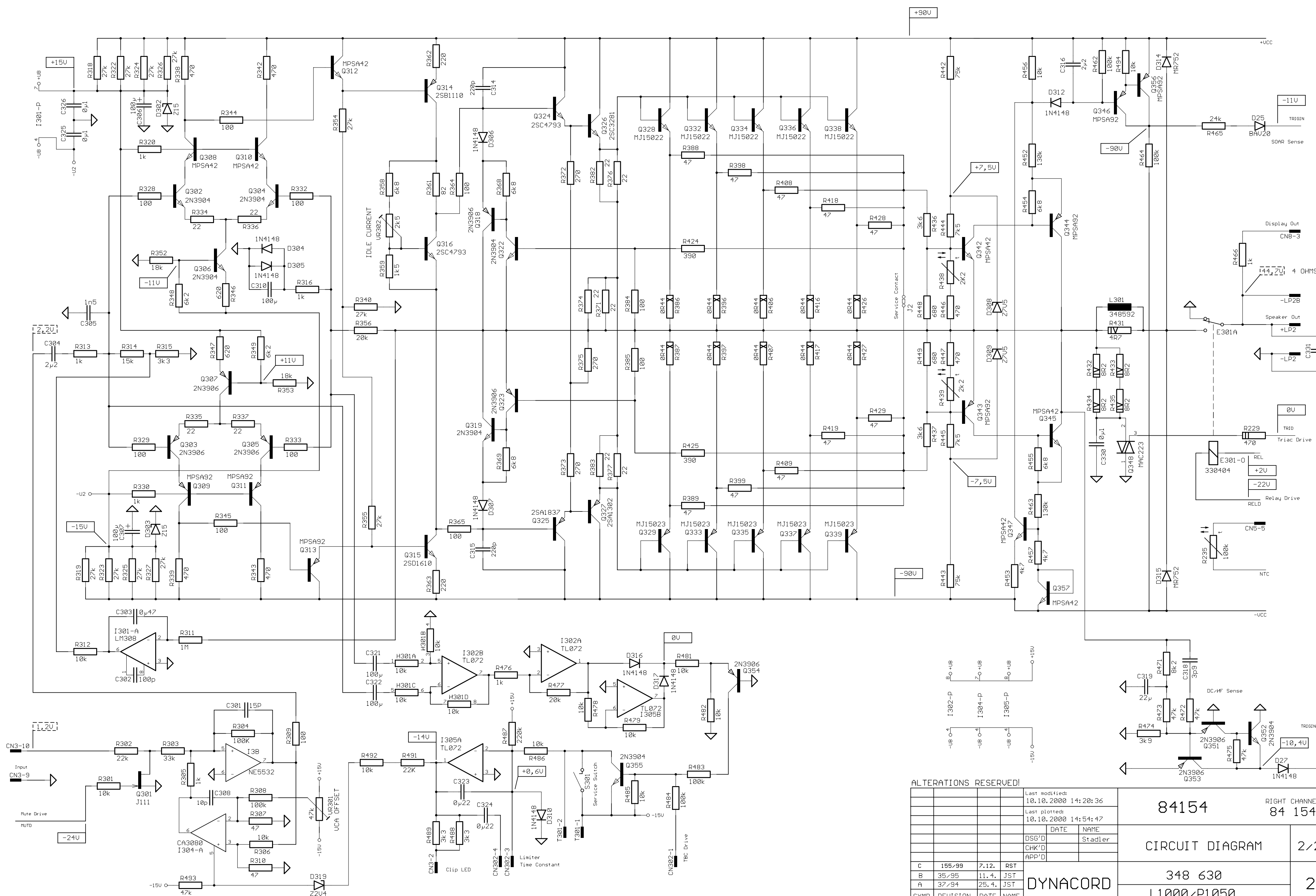
SYMB.	REVISION	DATE	NAME
C	155/99	7.12.	RST
B	35/95	11.4.	JST
A	37/94	25.4.	JST
			DSG'D
			CHK'D
			APP'D

84154 LEFT CHANNEL  
84 154

CIRCUIT DIAGRAM 1/2

348 630  
L1000/P1050 2-

DYNACORD



ALTERATIONS RESERVED!

				Last modified:	10.10.2000 14:20:36
				Last plotted:	10.10.2000 14:54:47
			DATE	NAME	
			DSG'D	Stadler	
			CHK'D		
			APP'D		
C	155/99	7.12.	RST		
B	35/95	11.4.	JST		
A	37/94	25.4.	JST		
SYMB.	REVISION	DATE	NAME		

84154 RIGHT CHANNEL  
84 154

CIRCUIT DIAGRAM 2/2

348 630  
L1000/P1050 2-

DYNACORD