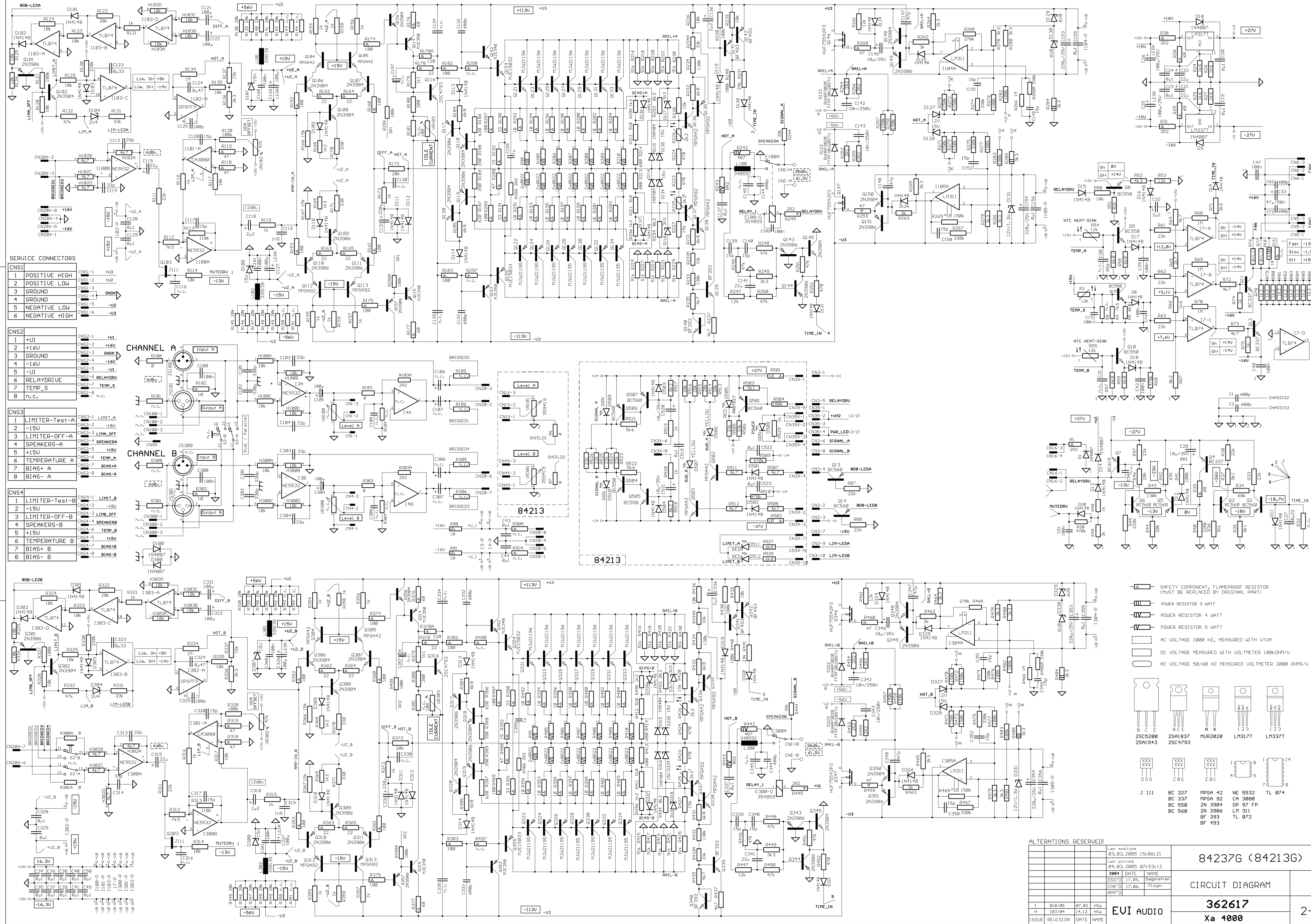


ALTERATIONS RESERVED!

				Last modified: 06.10.2004 10:22:50			<b>80509b</b>	
				Last plotted: 05.01.2005 15:04:53				
				2004	DATE	NAME	<b>BLOCK DIAGRAM</b>	
				DSG'D	09.09.	J. Plager		
				CHK'D	09.09.	J. Plager		
				APP'D				
				<b>EVI AUDIO</b>			362619	<b>3-</b>
ISSUE	REVISION	DATE	NAME				Xa 4000	



- SERVICE CONNECTORS**
- CNS1**
- 1 POSITIVE HIGH
  - 2 POSITIVE LOW
  - 3 GROUND
  - 4 GROUND
  - 5 NEGATIVE LOW
  - 6 NEGATIVE HIGH
- CNS2**
- 1 +U1
  - 2 +16V
  - 3 GROUND
  - 4 -16V
  - 5 -U1
  - 6 RELAYDRIVE
  - 7 TEMP\_S
  - 8 n.c.
- CNS3**
- 1 LIMITER-Test-A
  - 2 -15V
  - 3 LIMITER-OFF-A
  - 4 SPEAKERS-A
  - 5 +15V
  - 6 TEMPERATURE A
  - 7 BIAS+ A
  - 8 BIAS- A
- CNS4**
- 1 LIMITER-Test-B
  - 2 -15V
  - 3 LIMITER-OFF-B
  - 4 SPEAKERS-B
  - 5 +15V
  - 6 TEMPERATURE B
  - 7 BIAS+ B
  - 8 BIAS- B

- SAFETY COMPONENT, FLAMEPROOF RESISTOR (MUST BE REPLACED BY ORIGINAL PART)
  - POWER RESISTOR 3 WATT
  - POWER RESISTOR 4 WATT
  - POWER RESISTOR 5 WATT
  - AC VOLTAGE 1000 HZ, MEASURED WITH UTUM
  - DC VOLTAGE MEASURED WITH VOLTMETER 100k OHM/V
  - AC VOLTAGE 50/60 HZ MEASURED VOLTMETER 2000 OHM/V
- J 111**
- 25C5200**  
25A1943
- 25A1937**  
25C4793
- A K**  
NUR2020
- LM317T**
- LM337T**
- BC 327**  
**BC 337**  
**BC 558**  
**BC 560**
- MPSA 42**  
**MPSA 92**  
**2N 3904**  
**2N 3906**  
**BF 393**
- NE 5532**  
**CA 3080**  
**OP 97 FP**  
**Sagstetter**  
**17.0c.**  
**Plager**
- TL 074**

ALTERATIONS RESERVED!

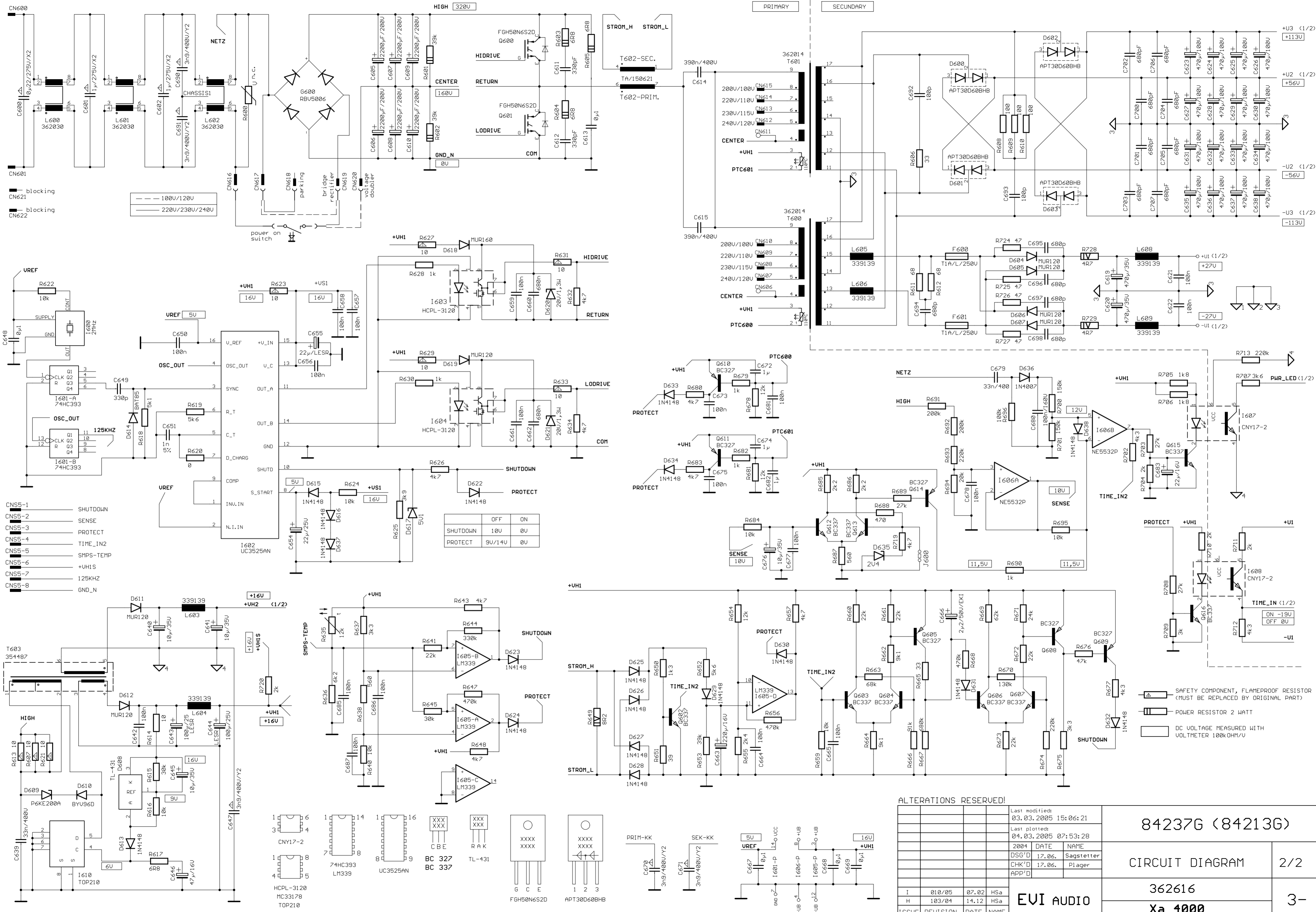
1	010/05	07.02	HSA
H	103/04	14.12	HSA
ISSUE	REVISION	DATE	NAME

362617  
Xa 4000

**EUI AUDIO**

842376 (842136)

**CIRCUIT DIAGRAM**



■ blocking  
 CN621  
 ■ blocking  
 CN622

--- 100V/120V  
 ——— 220V/230V/240V

- CNS5-1 SHUTDOWN
- CNS5-2 SENSE
- CNS5-3 PROTECT
- CNS5-4 TIME\_IN2
- CNS5-5 SMP5-TEMP
- CNS5-6 +UHI5
- CNS5-7 125KHZ
- CNS5-8 GND\_N

- SAFETY COMPONENT, FLAMEPROOF RESISTOR (MUST BE REPLACED BY ORIGINAL PART)
- POWER RESISTOR 2 WATT
- DC VOLTAGE MEASURED WITH VOLTMETER 100kOHM/V

ALTERATIONS RESERVED!

I	01/05	07.02	HSa
H	103/04	14.12	HSa
ISSUE	REVISION	DATE	NAME

Last modified: 03.03.2005 15:06:21		
Last plotted: 04.03.2005 07:53:28		
2004	DATE	NAME
DSG'D	17.06.	Sagstetter
CHK'D	17.06.	Plager
APP'D		

84237G (84213G)

CIRCUIT DIAGRAM

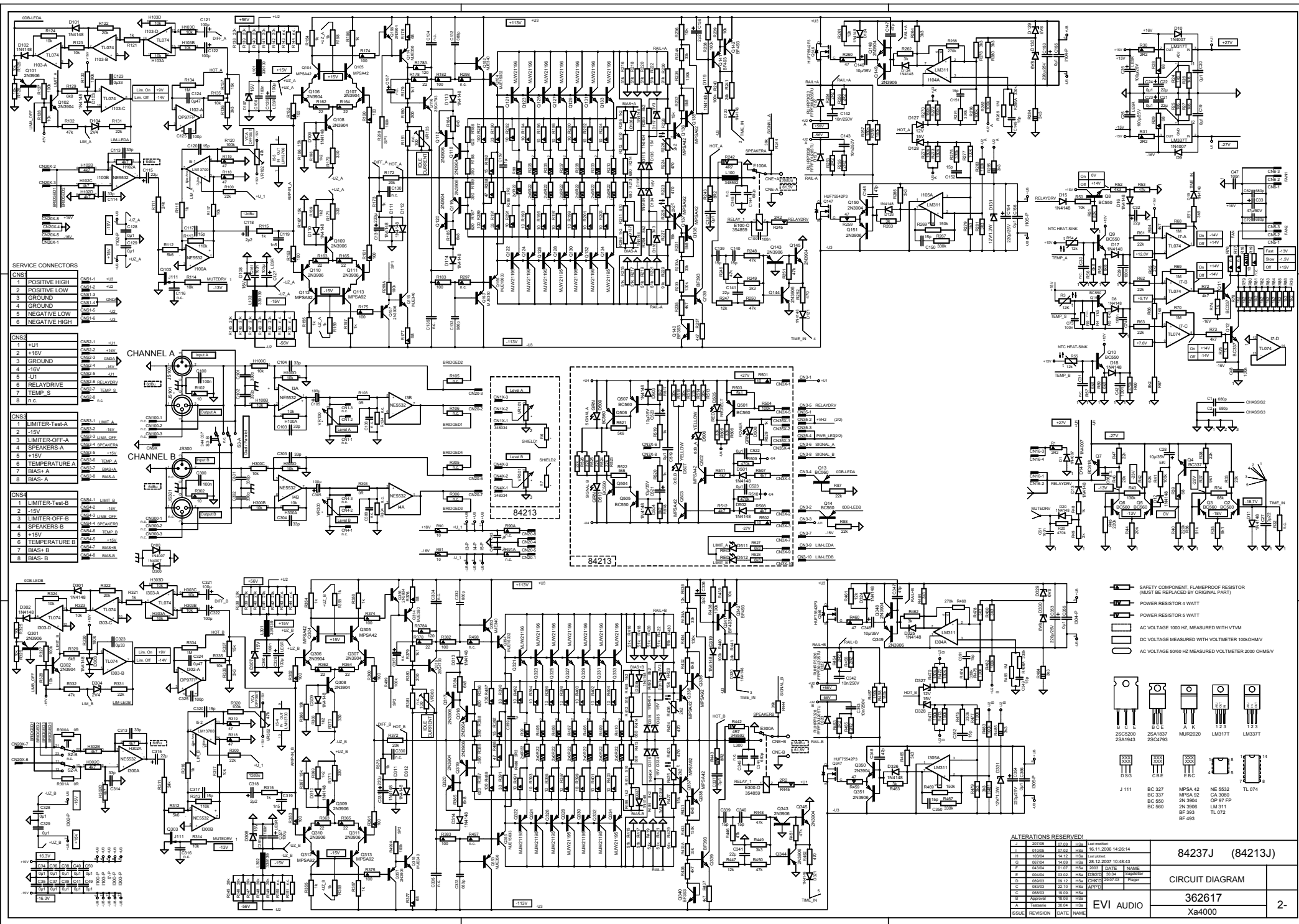
2/2

362616

Xa 4000

3-

EVI AUDIO



- SERVICE CONNECTORS**
- CNS1**
- 1 POSITIVE HIGH
  - 2 POSITIVE LOW
  - 3 GROUND
  - 4 GROUND
  - 5 NEGATIVE LOW
  - 6 NEGATIVE HIGH
- CNS2**
- 1 +1V
  - 2 +16V
  - 3 GROUND
  - 4 -16V
  - 5 +16V
  - 6 RELAYDRIVE
  - 7 TEMP. S
  - 8 N.C.
- CNS3**
- 1 LIMITER-Test-A
  - 2 -15V
  - 3 LIMITER-OFF-A
  - 4 SPEAKERS-A
  - 5 +15V
  - 6 TEMPERATURE A
  - 7 BIAS+ A
  - 8 BIAS- A
- CNS4**
- 1 LIMITER-Test-B
  - 2 -15V
  - 3 LIMITER-OFF-B
  - 4 SPEAKERS-B
  - 5 +15V
  - 6 TEMPERATURE B
  - 7 BIAS+ B
  - 8 BIAS- B

- SAFETY COMPONENT: FLAMEPROOF RESISTOR (MUST BE REPLACED BY ORIGINAL PART)
- POWER RESISTOR 4 WATT
- POWER RESISTOR 5 WATT
- AC VOLTAGE 1000 HZ. MEASURED WITH VTVM
- DC VOLTAGE MEASURED WITH VOLTMETER 1000OHM/V
- AC VOLTAGE 50/60 HZ. MEASURED VOLTMETER 2000 OHM/V

- J 111
- BC 327
- BC 337
- BC 550
- BC 560
- MPS 42
- MPSA 92
- 2N 3054
- 2N 3906
- BF 983
- BF 493
- NE 5532
- CA 3050
- QP 97 9P
- LM 311
- TL 072
- LM5317T
- LM5337T

ALTERATIONS RESERVED!

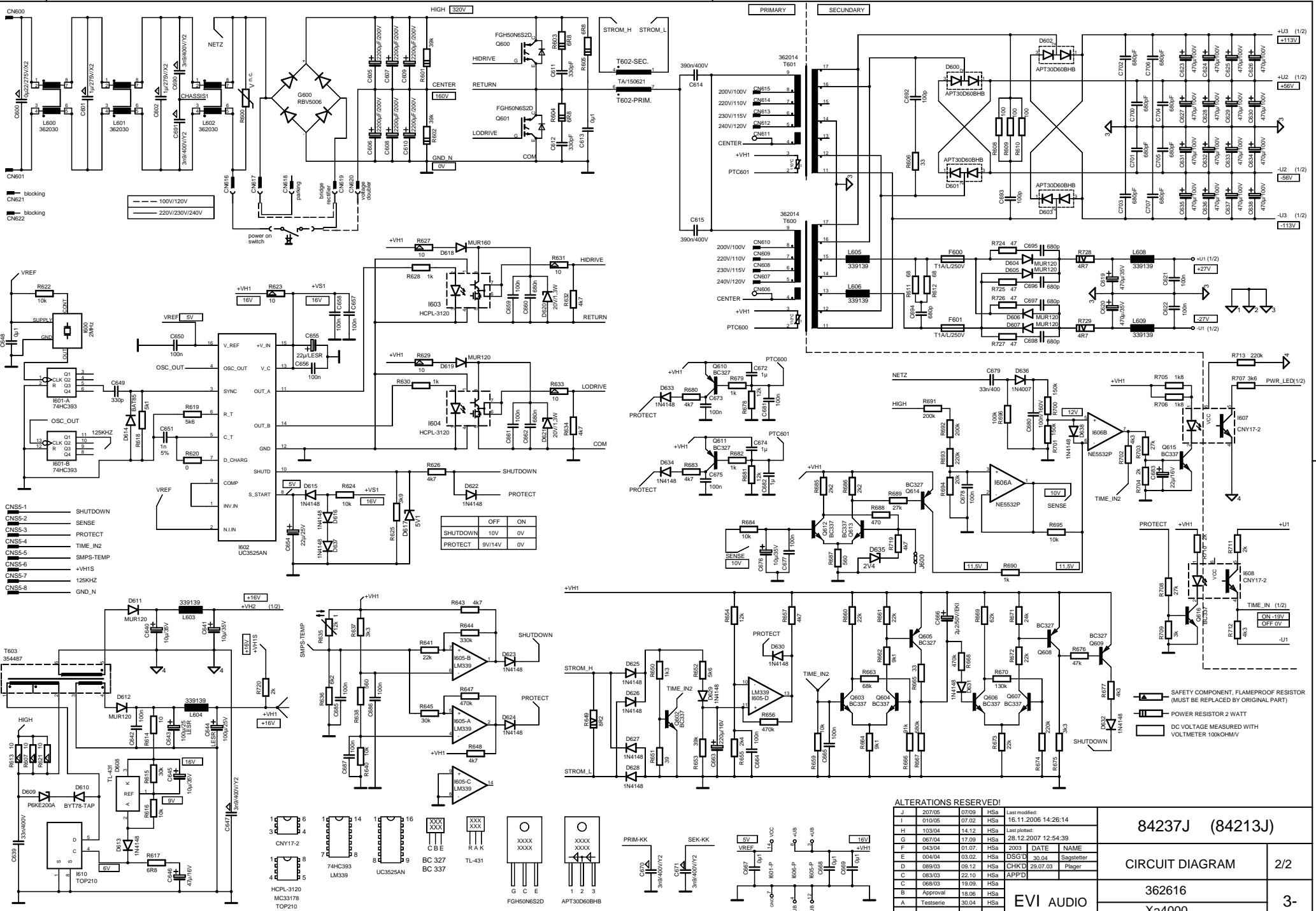
REV.	DATE	NAME	REV. NO.
1	257/05	02/02	1/18
2	330/04	02/02	1/18
3	330/04	14/12	1/18
4	087/04	14/02	28.12.2007 10:48:43
5	04/04	07/01	2007.12 DATE NAME
6	004/04	03/02	DISC12 30/4 Engineer
7	08/03	09/12	DISC12 29/7/03 7/Pleng
8	05/03	22/11	APPROV.
9	08/03	19/02	1/18
10	08/03	19/02	1/18
11	08/03	19/02	1/18
12	08/03	19/02	1/18
13	08/03	19/02	1/18
14	08/03	19/02	1/18
15	08/03	19/02	1/18
16	08/03	19/02	1/18
17	08/03	19/02	1/18
18	08/03	19/02	1/18
19	08/03	19/02	1/18
20	08/03	19/02	1/18

84237J (84213J)

CIRCUIT DIAGRAM

362617

Xa4000



CN601 blocking  
 CN621 blocking  
 CN622 blocking

--- 100V/120V  
 --- 220V/230V/240V

- CNS5-1 SHUTDOWN
- CNS5-2 SENSE
- CNS5-3 PROTECT
- CNS5-4 TIME\_IN2
- CNS5-5 SMP5-TEMP
- CNS5-6 +VH1S
- CNS5-7 125KHZ
- CNS5-8 GND\_N

SHUTDOWN OFF ON  
 10V 0V  
 PROTECT 9V/14V 0V

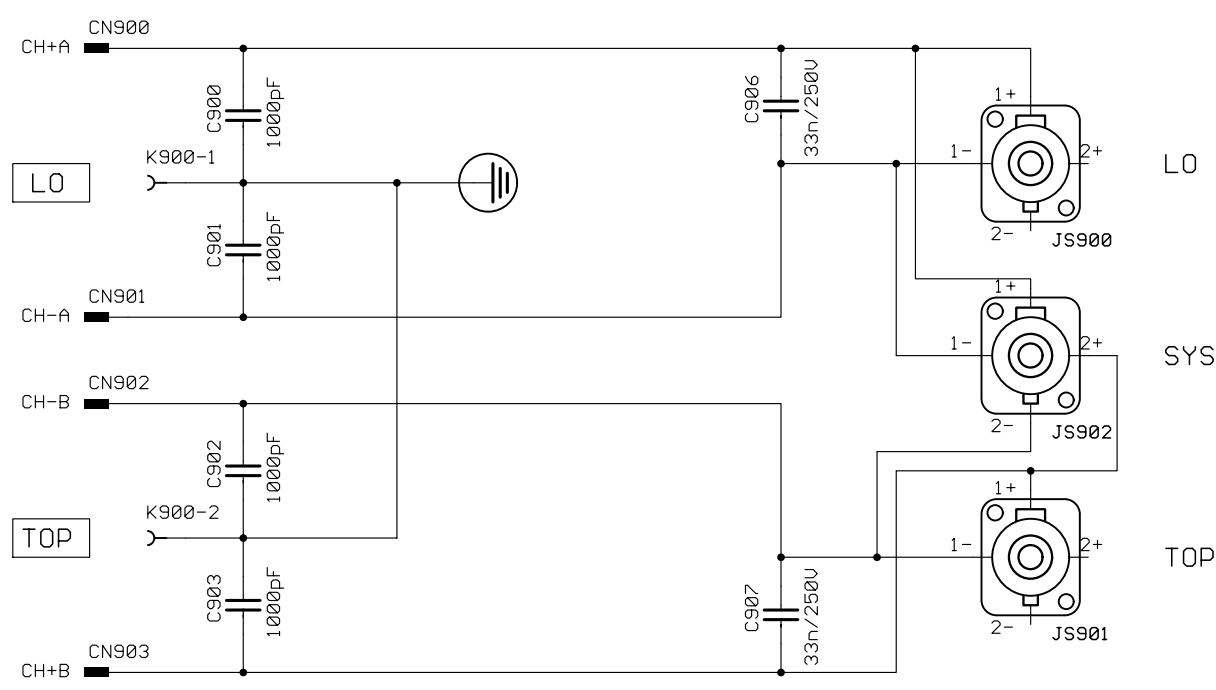
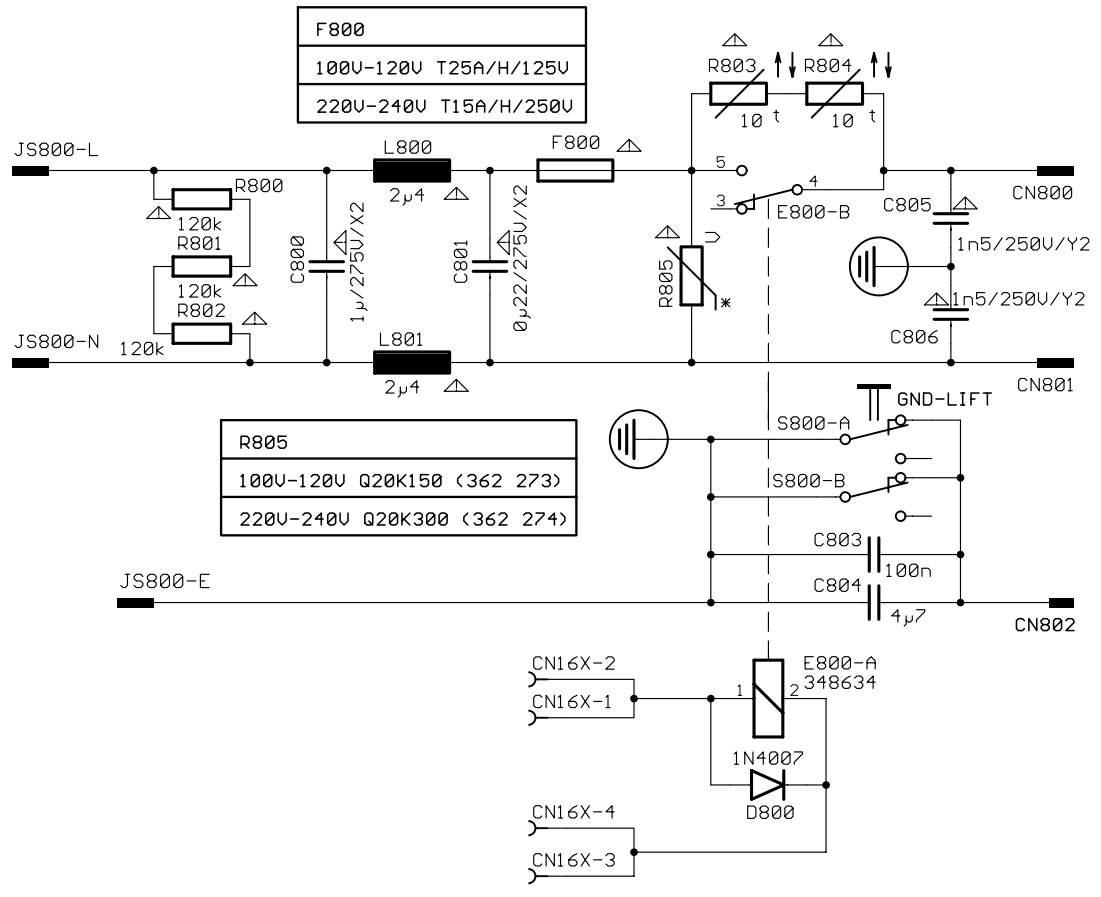
SAFETY COMPONENT, FLAMEPROOF RESISTOR  
 (MUST BE REPLACED BY ORIGINAL PART)  
 POWER RESISTOR 2 WATT  
 DC VOLTAGE MEASURED WITH  
 VOLTMETER 100KOHMV

ALTERATIONS RESERVED!

J	207/05	07/09	HsA	Last modified:
I	01/05	07/02	HsA	16.11.2006 14:26:14
H	10/04	14.12	HsA	Last plotted:
G	08/04	17.09	HsA	28.12.2007 12:54:39
F	04/04	01.07	HsA	2003 DATE NAME
E	04/04	03.02	HsA	DS/GC 30.04 Sagstetter
D	08/03	08.12	HsA	CH/KD 29.07.03 Pflager
C	08/03	22.10	HsA	APP/D
C	08/03	19.09	HsA	
B	Approval	18.06	HsA	
A	Testseries	30.04	HsA	
ISSUE	REVISION	DATE	NAME	

84237J (84213J)  
 CIRCUIT DIAGRAM 2/2  
 362616  
 Xa4000 3-

EVI AUDIO



ALTERATIONS RESERVED!

				Last modified: 11.01.2005 08:27:44
				Last plotted: 11.01.2005 13:28:17
			DATE	NAME
			DSG'D	03.03 Sagstetter
			CHK'D	28.07.03 Plager
			APP'D	
			<b>EVI AUDIO</b>	
ISSUE	REVISION	DATE		

<b>86292A</b> (862928 100V-120V) (862938 220V-240V)		<b>CIRCUIT DIAGRAM</b>
		<b>4-</b>