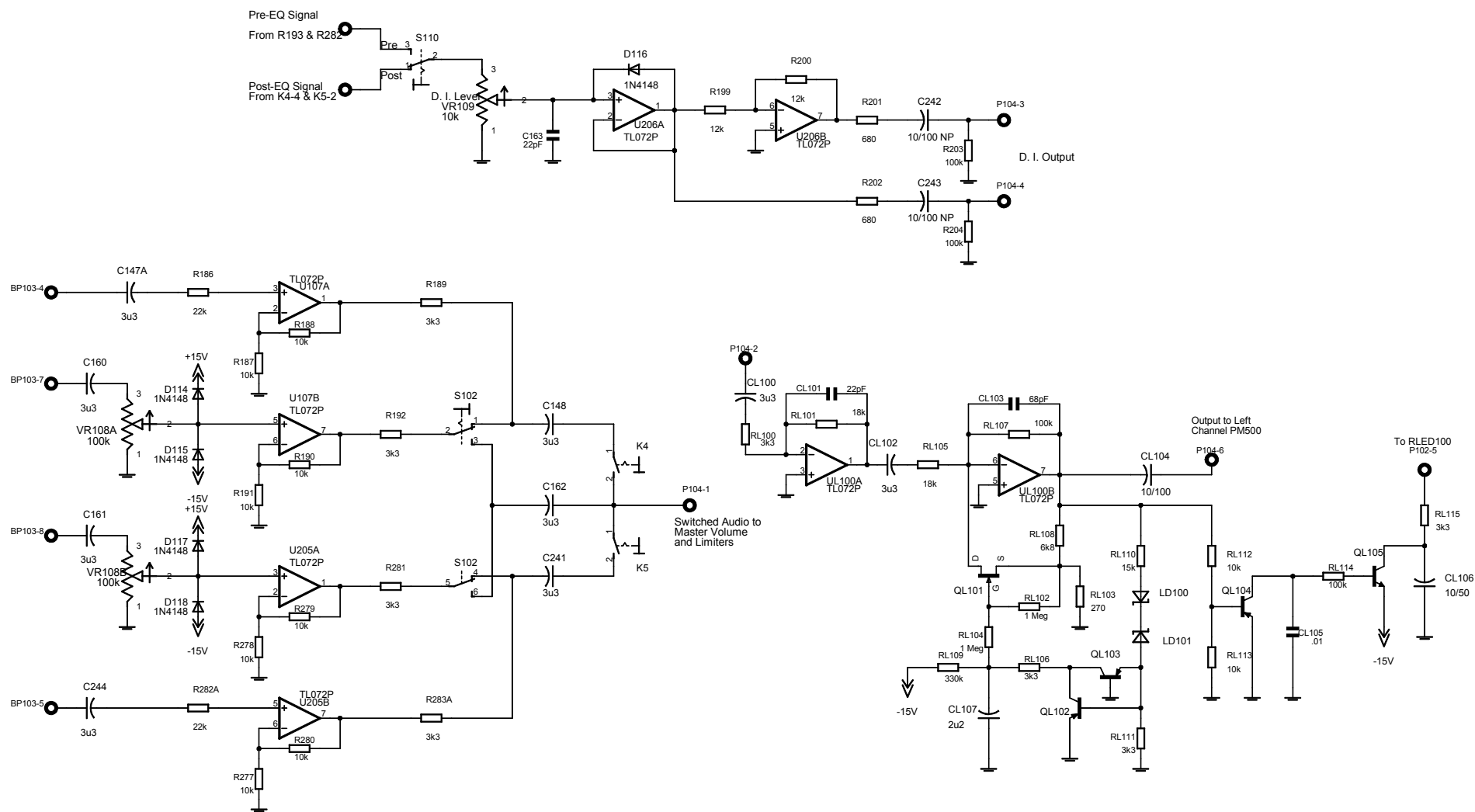
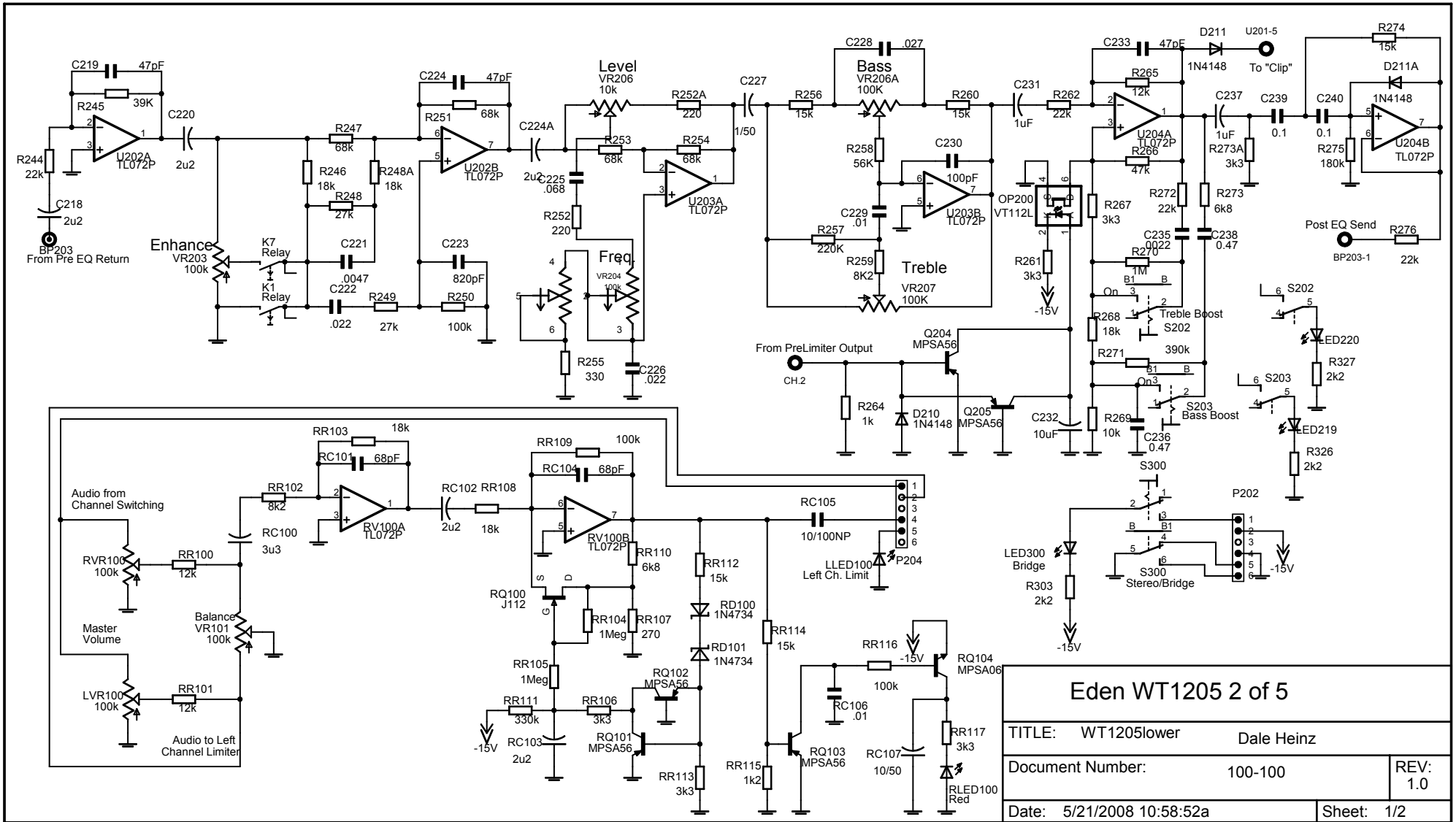


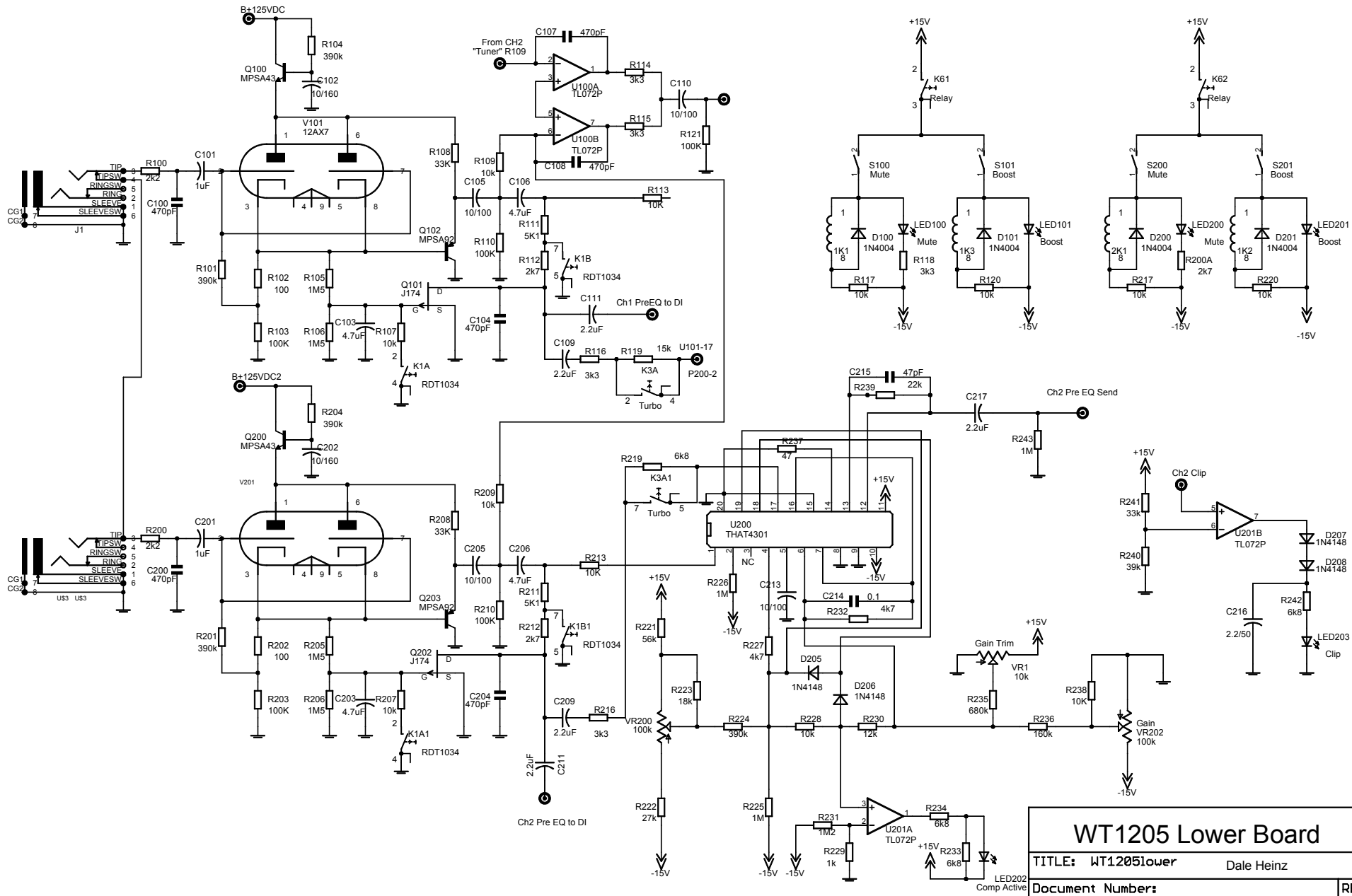
Eden WT1205 1 of 5		
TITLE: WT1205upper	Dale Heinz	
Document Number:	100-100	REV: 1.0
Date: 5/21/2008 11:15:08a	Sheet: 1/2	



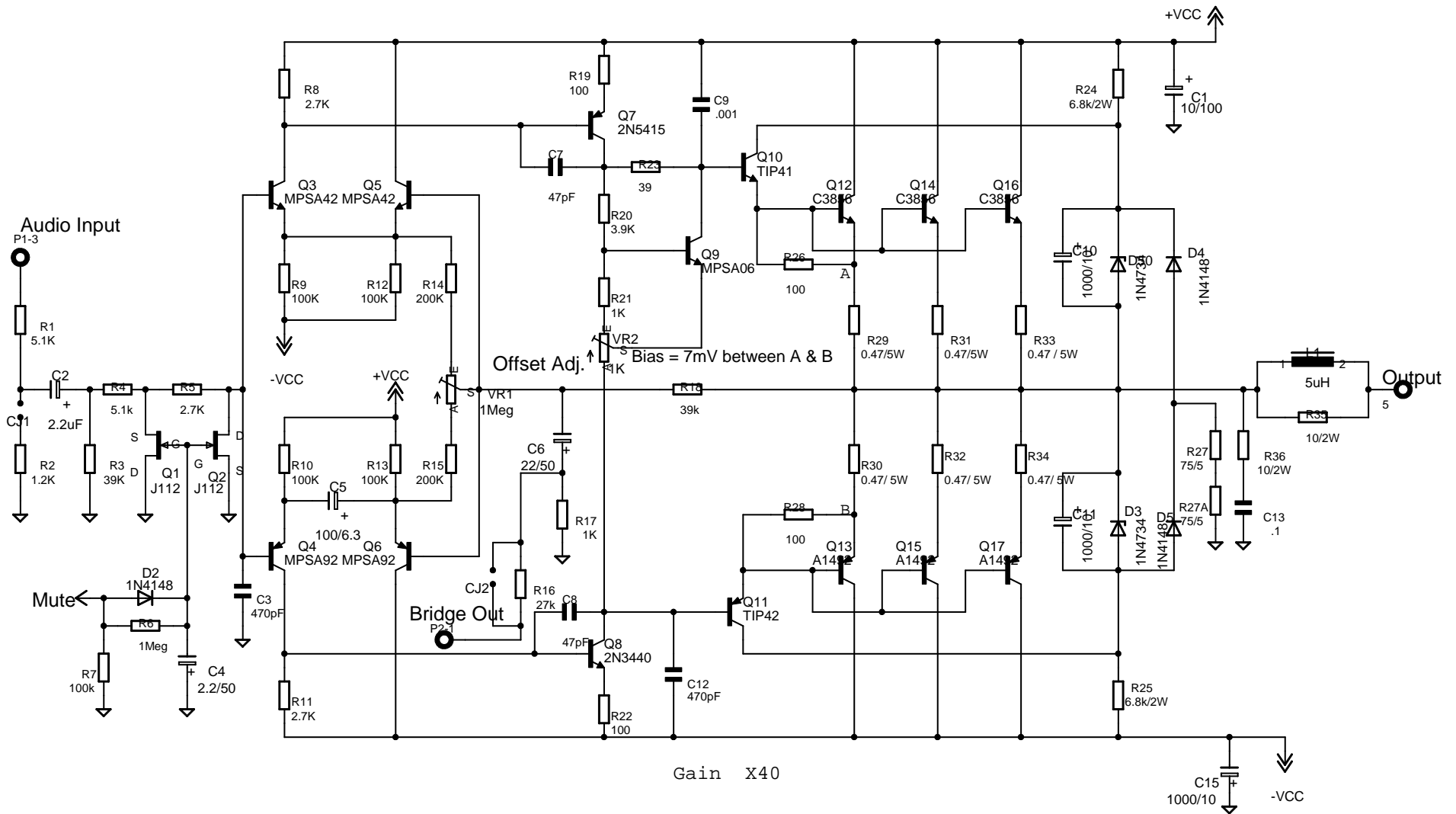
MUSIC PRODUCTS GROUP	
TITLE: WT1205upper	Dale Heinz
Document Number:	REV:
Date: 5/21/2008 11:15:08a	Sheet: 2/2



Eden WT1205 2 of 5	
TITLE: WT1205lower	Dale Heinz
Document Number: 100-100	REV: 1.0
Date: 5/21/2008 10:58:52a	Sheet: 1/2



WT1205 Lower Board	
TITLE: WT1205lower	Dale Heinz
Document Number:	REV:
Date: 5/21/2008 10:58:52a	Sheet: 2/2



Òã^} Á VFGÉÍ Á

TITLE: PM500

Dale Heinz

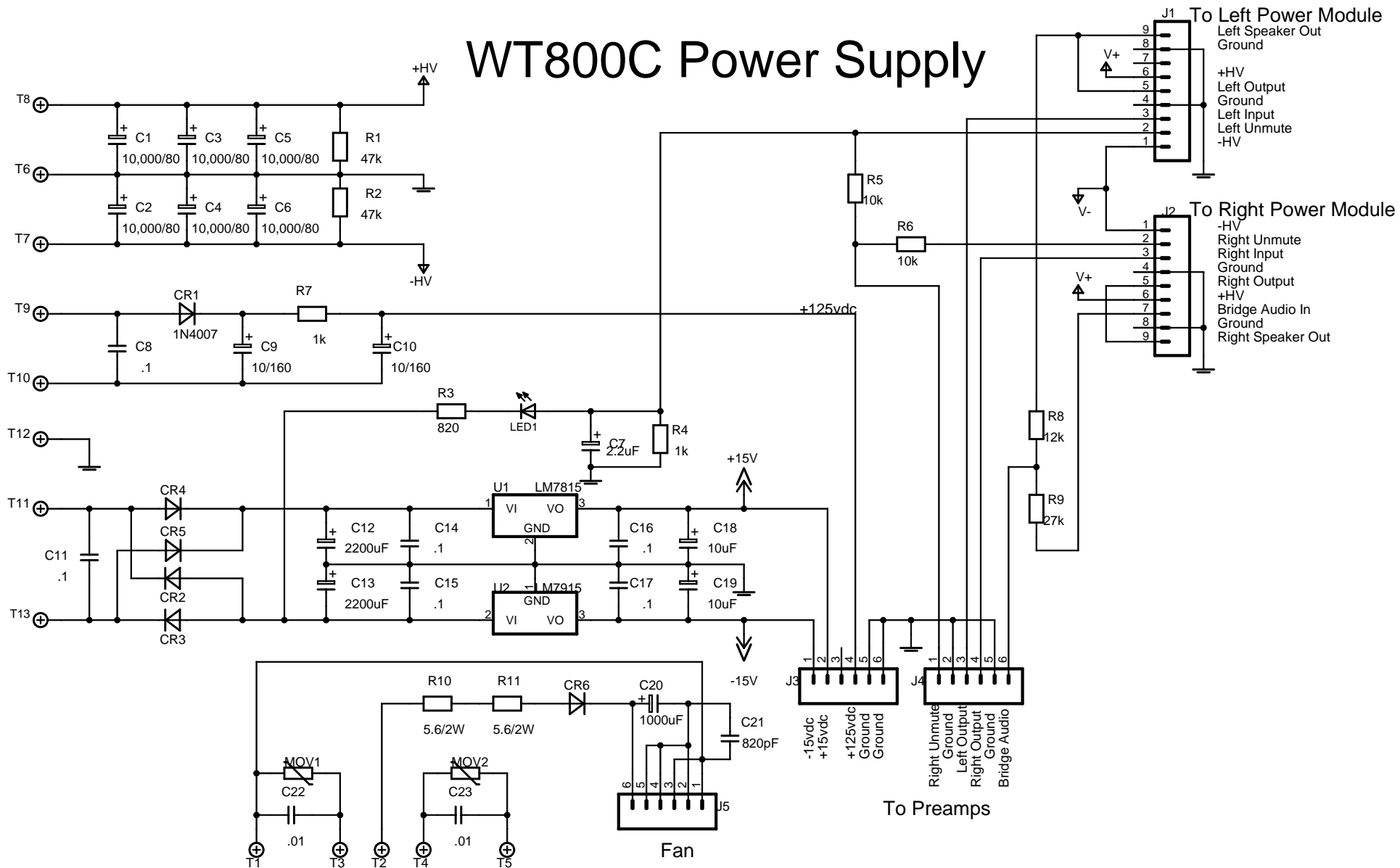
Document Number:

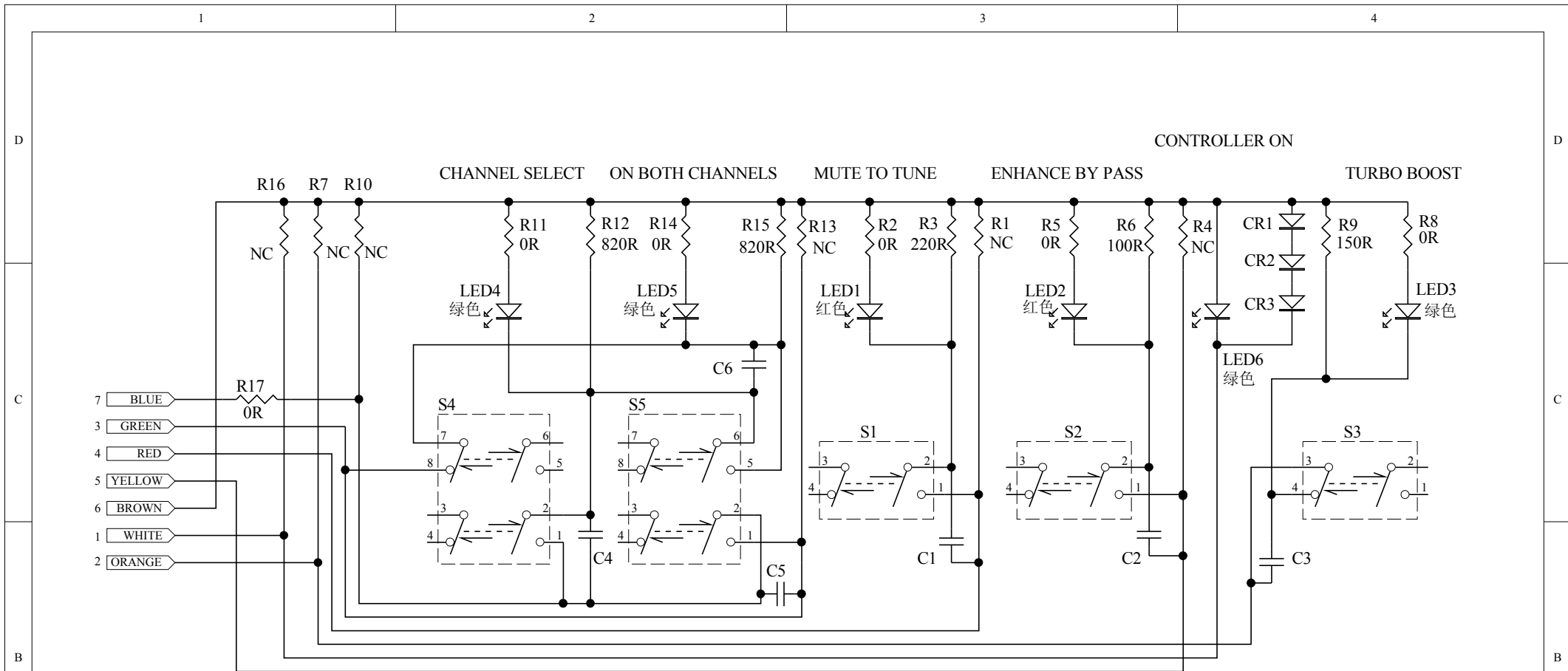
REV:

Date: 11/17/2007 02:49:18p

Sheet: 1/1

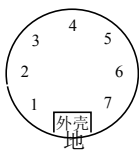
WT800C Power Supply





DIN JACK 7 PINS脚位对应的颜色:

从背后焊线视图, 从“缺口”标记处, 顺时针记录为: 白、橙、绿、红、黄、棕、蓝



C1=C2=C3=C4=C5=C6=104/50V

CR1=CR2=CR3= 1N4004

EDEN WT1205 5 of 5		长裕电子有限公司 c	
日期	20080113	绘图	陈林冲
设计审核		批准	
Title			
Size	Number	Revision	
A4			
Date:	22-May-2008	Sheet of	
File:	E:\protel文件\WT1205 脚踏开关EDEN 20080113.dtb		