

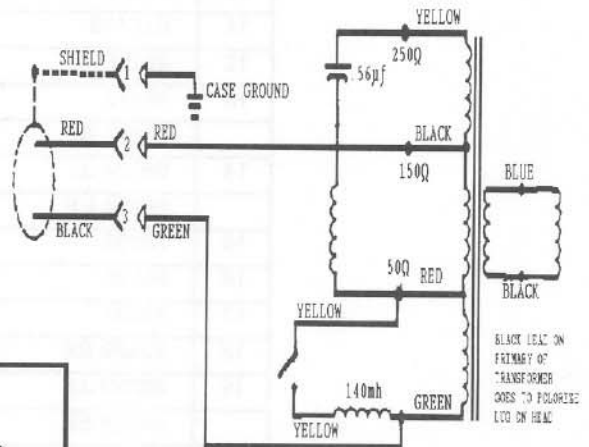
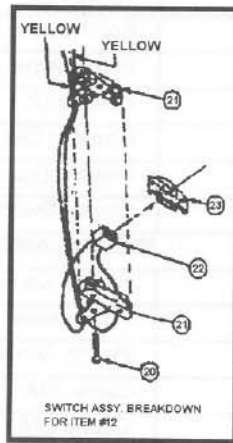
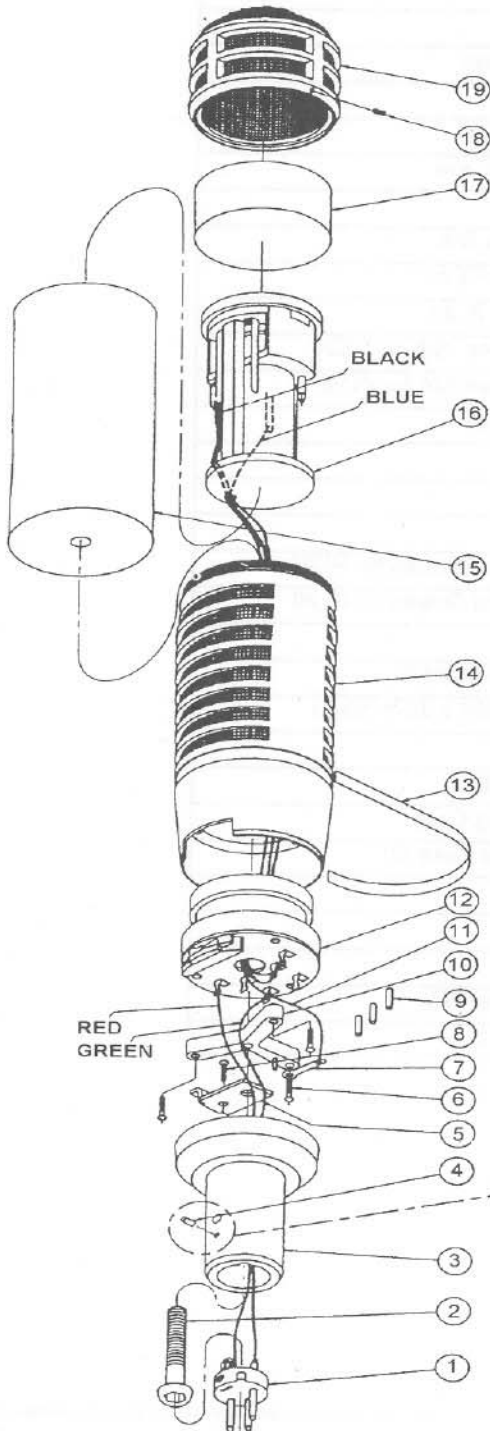


Electro-Voice®

600 Cecil Street
Buchanan, Michigan 49107
Phone: 616-695-6831
FAX: 616-695-4743

SERVICE DATA

PL20/RE20 Microphone



WIRING DIAGRAM

NOTE: ON ITEM #11 ADJUST FOR PROPER RESTRAINT OF ITEM #16

NOTE: OTHER PARTS OF TERMINAL BLOCK S/A ITEM #12 NOT FIELD REPAIRABLE

NOTE: ON THE RE20 PRIOR TO AUGUST 91, SPIROL PIN (PIN # 20001), GOING INTO ITEM # 10 WAS USED IN PLACE OF ITEM # 5 AND #8, TO KEEP THE REAR CASE FROM TURNING

PL20/RE20 PARTS LIST

Ref. No.	Part No.	Description
1	17162	Insert, A3M
2	63185 AP	Screw Hex Socket
3	72951 JJ	Case, Rear for RE20
	78226 EE	Case, Rear for PL20
4	20002	Pin, Spirol
5	72949	Tab, Index
6	B603215AD	Screws (4)
7	2723	Lug, Solder Brass
8	L60324AY	Screws (4)
9	B6604	Tubing, #8 XTE30
10	78213	Bracket, Rear Case
11	E16118	Wire
12	86226	Terminal Block S/A
13	48413	Name plate for RE20
	48413 A	Name plate for PL20
14	86224 JJ	Case and Screen S/A for RE20
	86224 EE	Case and Screen S/A for PL20
15	78233	Pad, Windscreen
16	86225	Head, S/A
17	78231	Filter
18	62439 BB	Screws (2)
19	86223 JJ	Front Cover and Screen for RE20
	86223 EE	Front Cover and Screen for PL20
20	62357	Screws (2)
21	70495	Housing Dip Switch (2)
22	56172	Switch, Dip, SMK # JS-8750-01
23	A70494	Cover, Switch
MISCELLANEOUS		
	29235	Plastic Carrying Case
	37343	Foam Insert for Case (2)
	70617	Pouch, Vinyl
	82640	Cable S/A
	87213	Clamp S/A
	78238 JJ	Scew for Clamp S/A
	78239 JJ	Nut for Clamp S/A



ELECTRO-VOICE 600 Cecil Street, Buchanan, Michigan 49107

MANUFACTURING PLANTS AT ■ BUCHANAN, MI ■ AUSTIN, TX ■ NEWPORT, TN ■ SEVIERVILLE, TN ■ OKLAHOMA CITY, OK ■ GANANOQUE, ONT.
 © Electro-Voice, Inc. 1997 ■ Litho in U.S.A. Part Number 534024 — 9711