

SHT 1 COVER SHEET  
 SHT 2 MICROPROCESSOR, ROM, RAM, I/O  
 SHT 3 GATE ARRAY  
 SHT 4 MIDI, CLOCKS  
 SHT 5 ESP 1  
 SHT 6 ESP 2  
 SHT 7 ESP 3  
 SHT 8 ESP 4  
 SHT 9 KEYPAD/DISPLAY, FOOTSWITCH INPUTS  
 SHT 10 BYPASS CAPS, POWER SUPPLY CONN., UNUSED GATES  
 SHT 11 CV PEDAL A/D CONVERTER

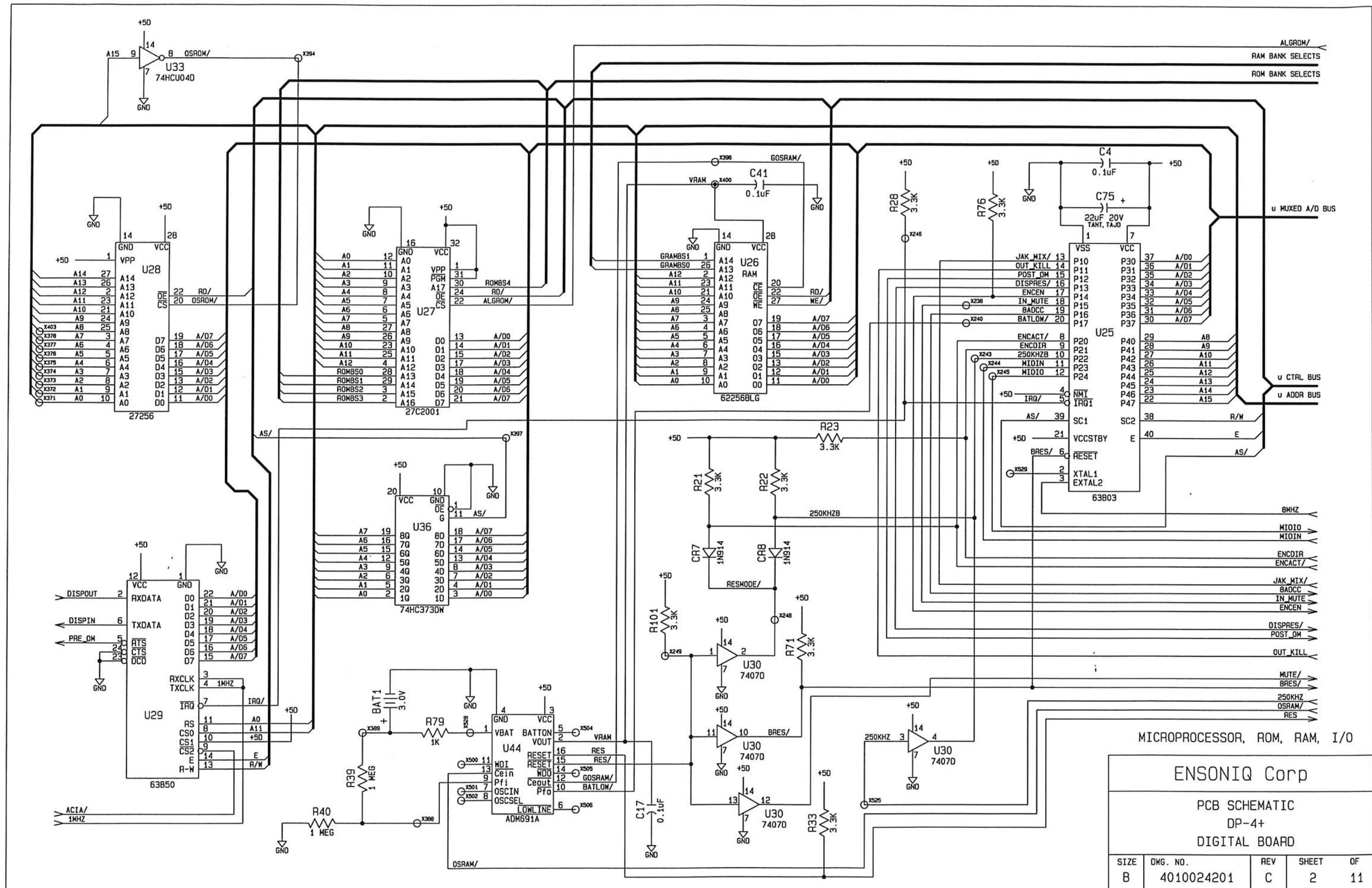
5. INSTALL JUMPER R80, REMOVE JUMPER R81.  
 4. FOR ESP VOLTAGE OF 5.25V.  
 INSTALL: VR2, R74, R75, C115, C116 & C121.  
 REMOVE: VR3 & C114.  
 FOR ESP VOLTAGE OF 5.00V.  
 INSTALL: VR3, C114 & C116.  
 REMOVE: VR2, R74, R75, C115 & C121.  
 3. ALL 0.1UF BYPASS CAPACITORS ARE 25V +80/-20% Z5U.  
 2. ALL CAPACITOR VALUES ARE IN MICROFARADS, 16V MINIMUM.  
 1. ALL RESISTOR VALUES ARE IN OHMS, 1/8W 5%.

NOTES - UNLESS SPECIFIED OTHERWISE:

REVISIONS			
REV	DESCRIPTION	DATE	APPROVED
1	PROTOTYPE RELEASE		
2	PROTOTYPE RELEASE		
3	PROTOTYPE RELEASE		
4	PROTOTYPE RELEASE		
5	PROTOTYPE RELEASE		
6	PROTOTYPE RELEASE		
7	PROTOTYPE RELEASE		
A	RELEASED PER EDR 42-528	12-21-94	AKS
B	REVISED PER ECO 3057	2-4-95	AKS
C	REVISED PER ECO 3070	3-20-95	AKS

COVER SHEET

<b>ENSONIQ Corp</b> 155 GREAT VALLEY PKWY, MALVERN PA 19355				
APPROVALS	DATE	PCB SCHEMATIC DP-4+ DIGITAL BOARD		
DWN BY: AKS	02-18-94			
CHKD BY:				
APPD BY:		SIZE B	DWG. NO. 4010024201	REV C
USED ON: DP-4 PRO	SCALE —	SHEET 1 OF 11		

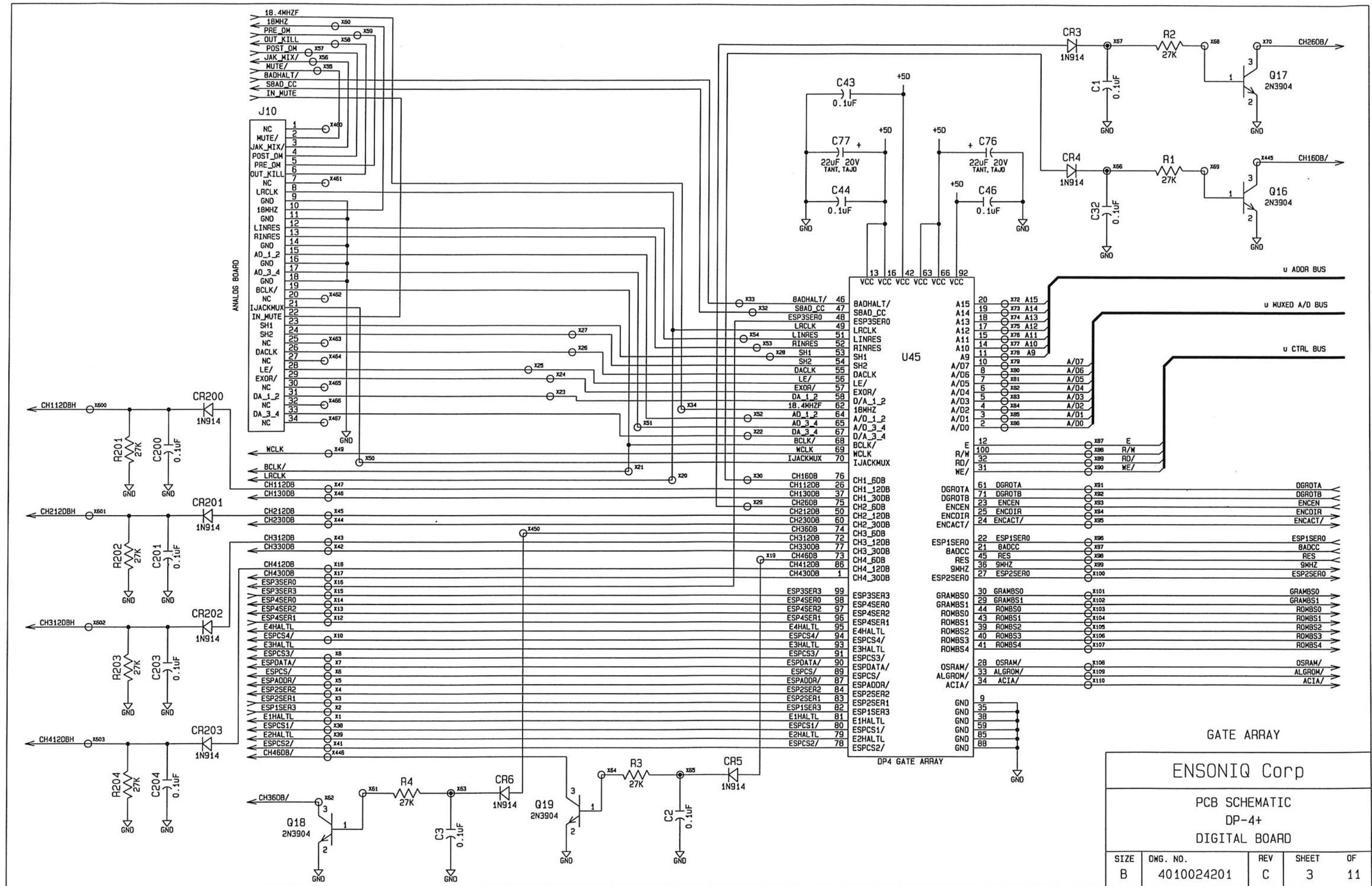


MICROPROCESSOR, ROM, RAM, I/O

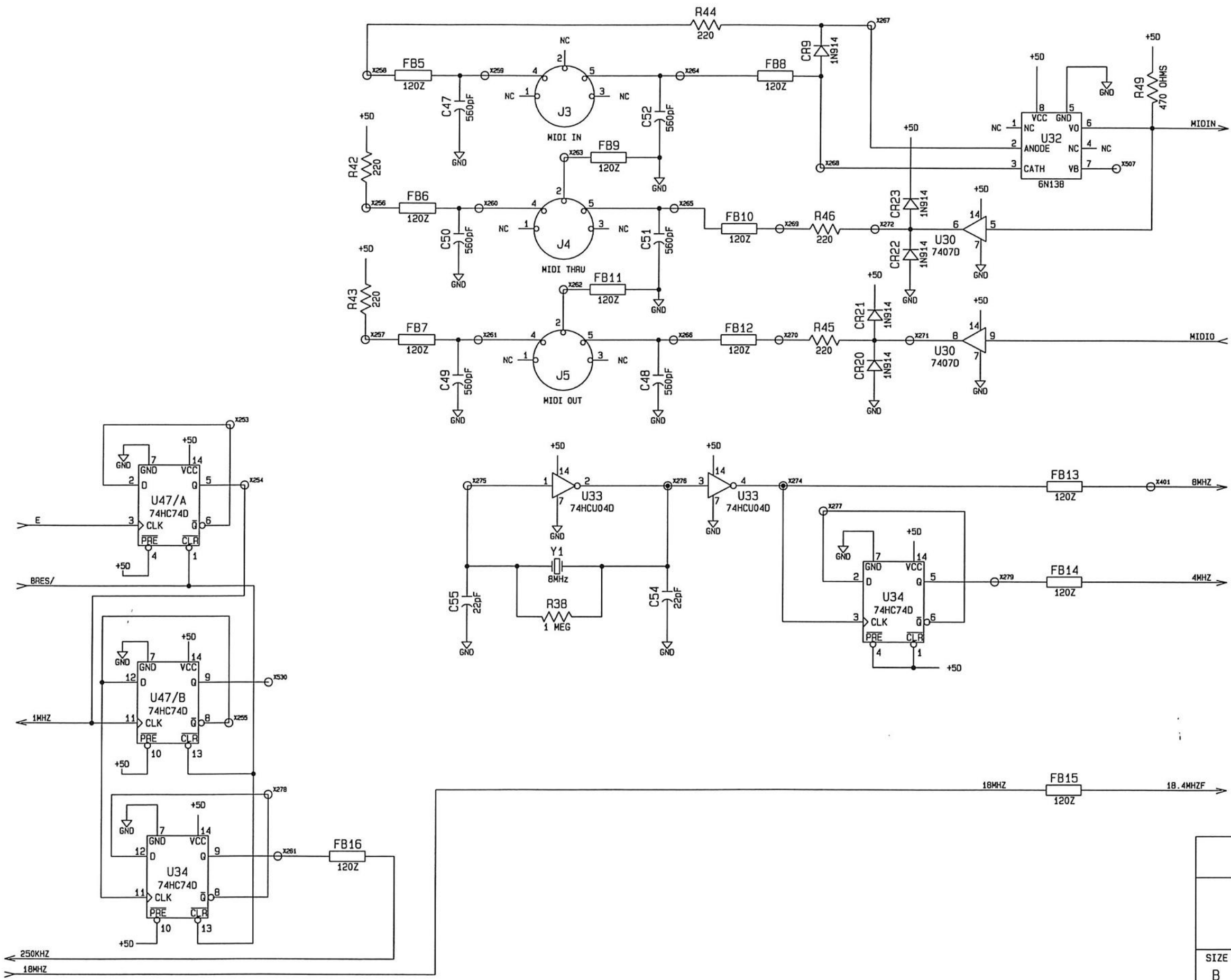
ENSONIQ Corp

PCB SCHEMATIC  
DP-4+  
DIGITAL BOARD

SIZE	DWG. NO.	REV	SHEET	OF
B	4010024201	C	2	11

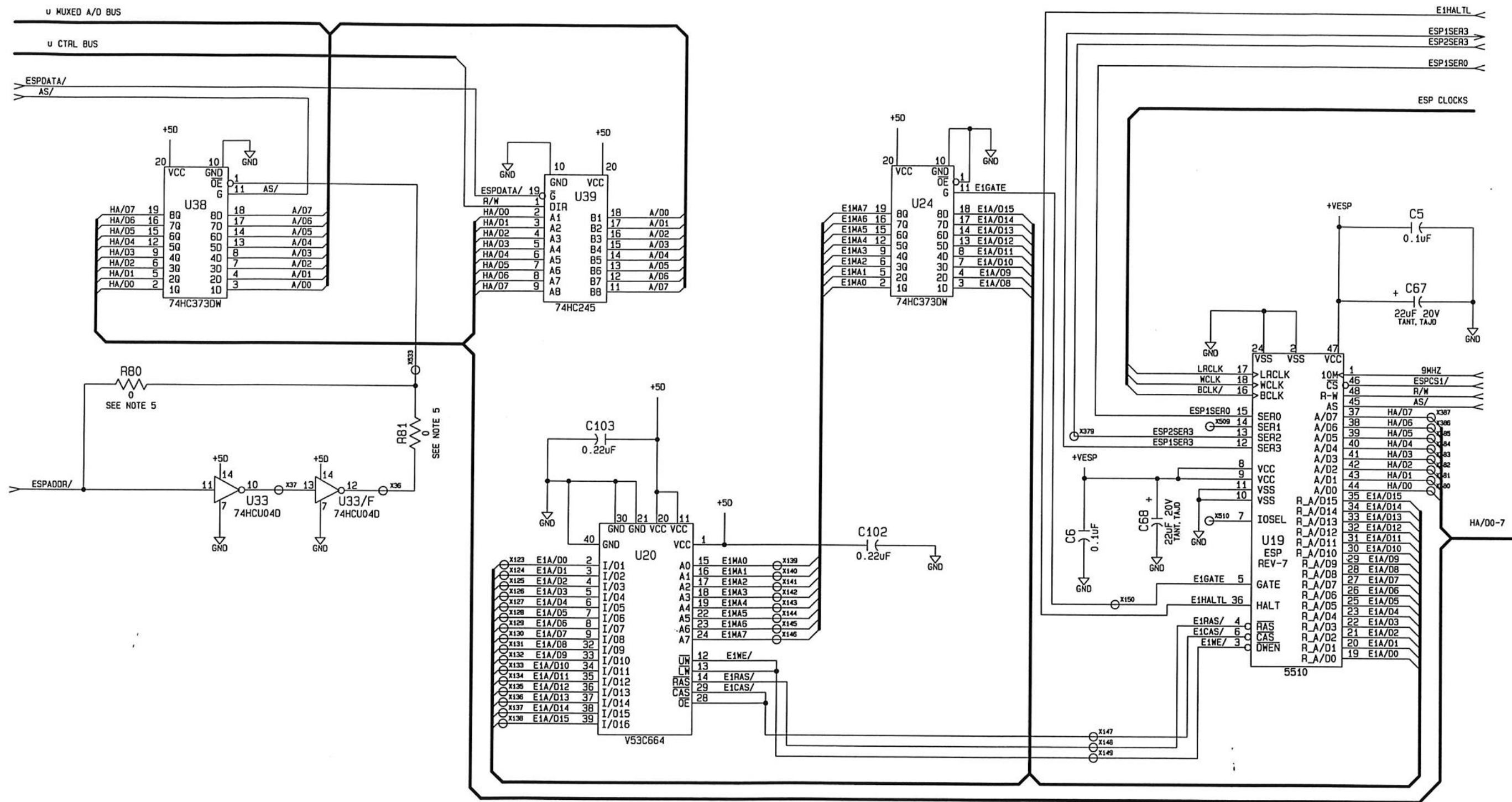


ENSONIQ Corp				
PCB SCHEMATIC				
DP-4+				
DIGITAL BOARD				
SIZE	DWG. NO.	REV	SHEET	OF
B	4010024201	C	3	11



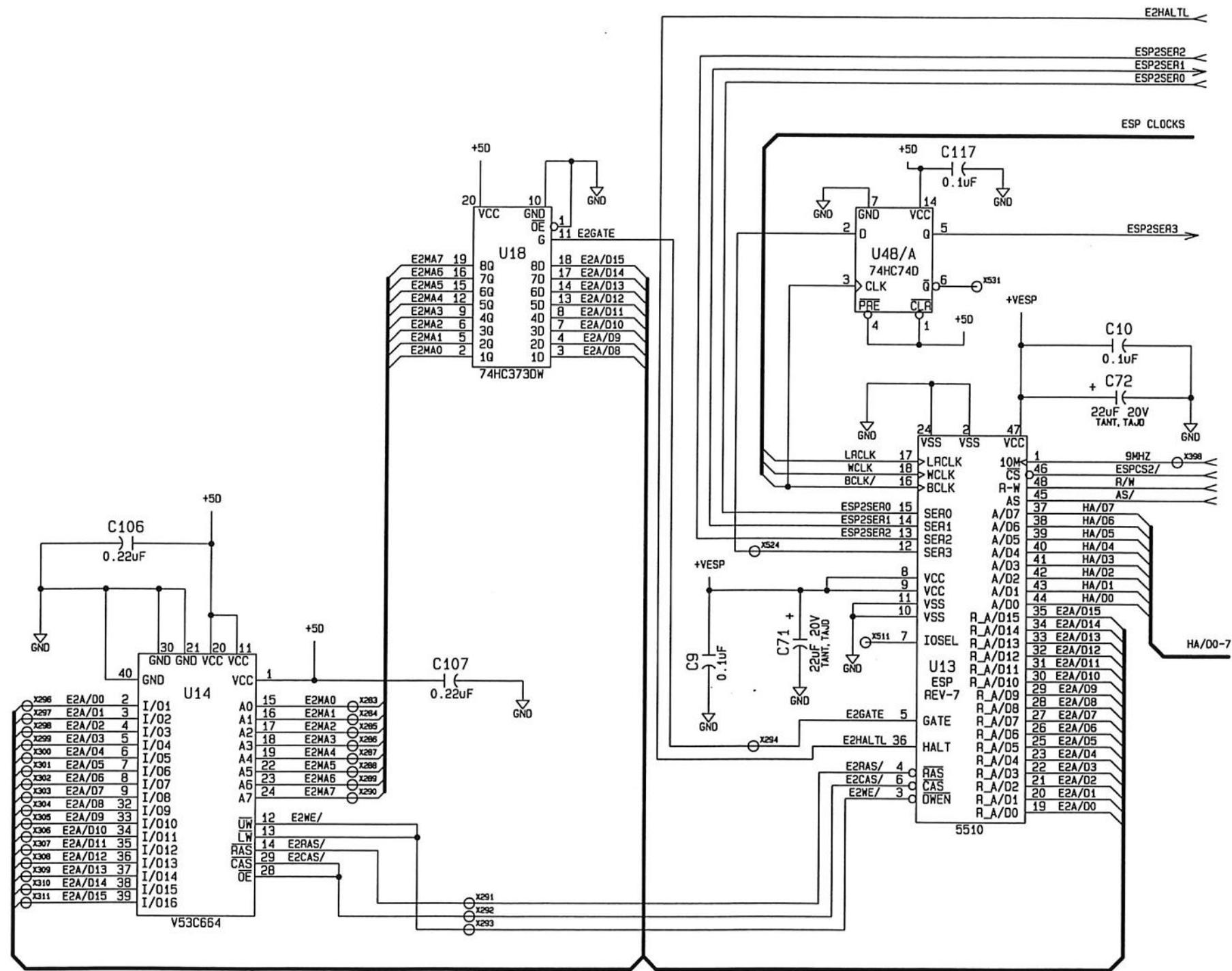
MIDI, CLOCKS

ENSONIQ Corp				
PCB SCHEMATIC				
DP-4+				
DIGITAL BOARD				
SIZE	DWG. NO.	REV	SHEET	OF
B	4010024201	C	4	11



ESP 1

ENSONIQ Corp				
PCB SCHEMATIC				
DP-4+				
DIGITAL BOARD				
SIZE	DWG. NO.	REV	SHEET	OF
B	4010024201	C	5	11

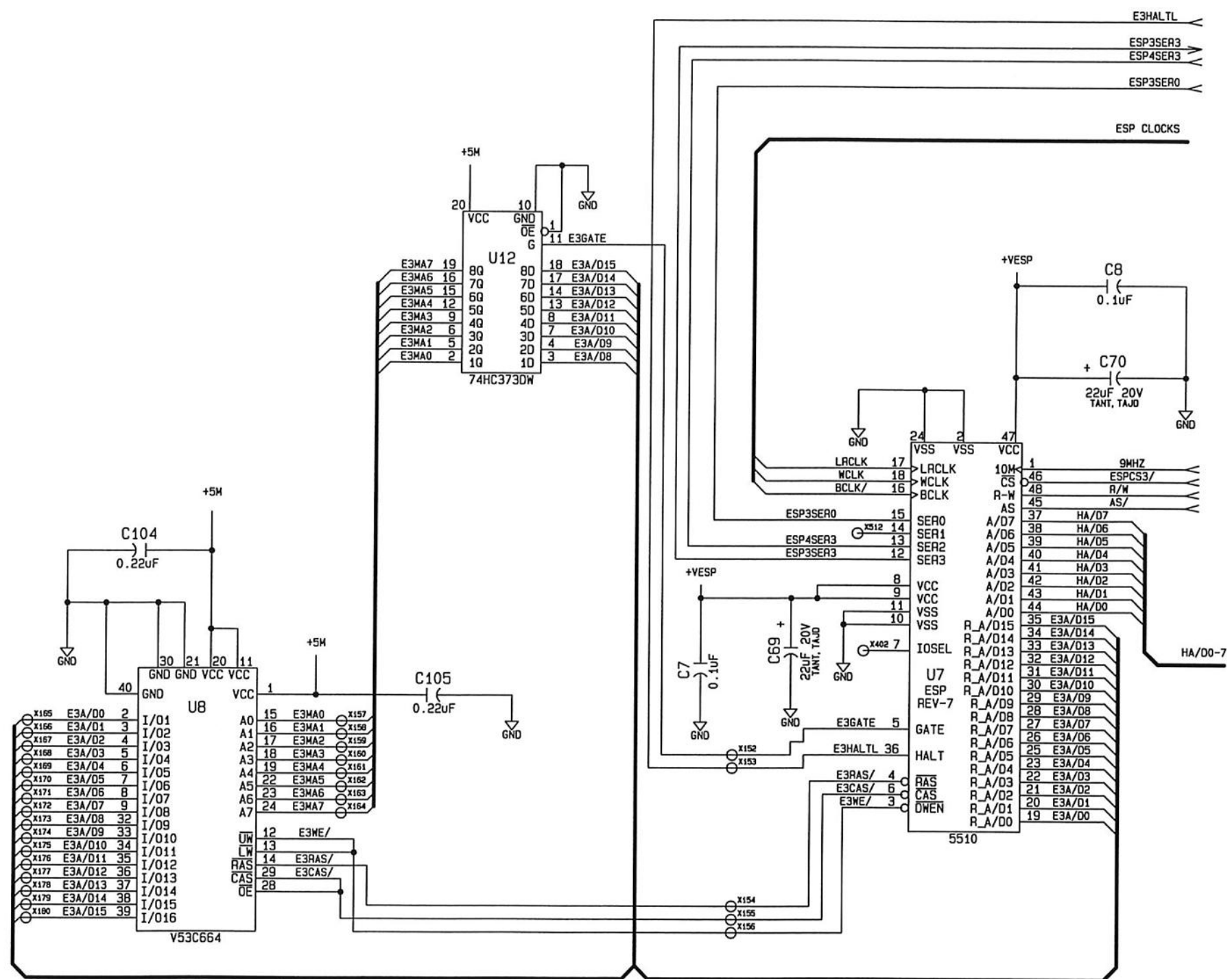


ESP 2

ENSONIQ Corp

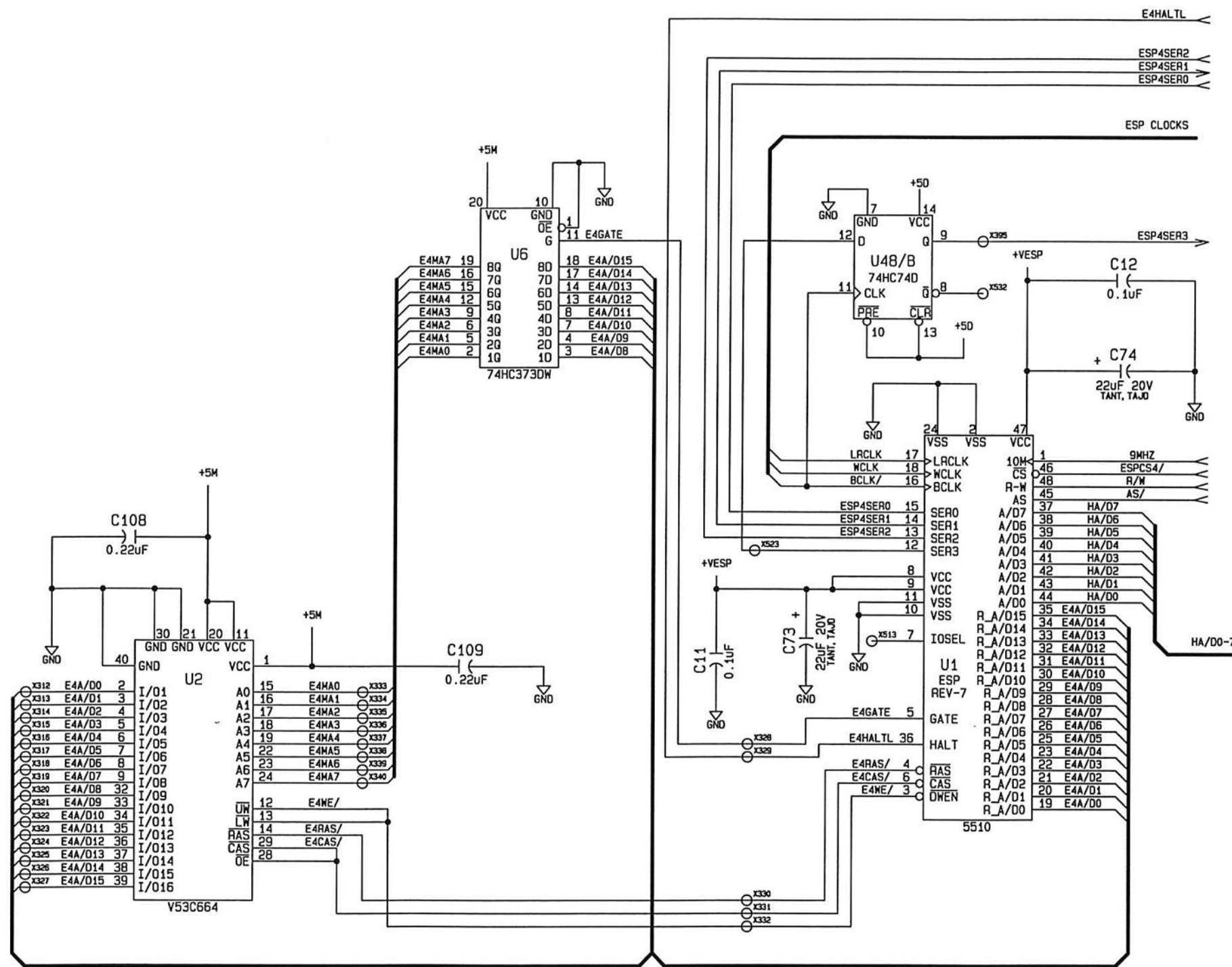
PCB SCHEMATIC  
DP-4+  
DIGITAL BOARD

SIZE	DWG. NO.	REV	SHEET	OF
B	4010024201	C	6	11



ESP 3

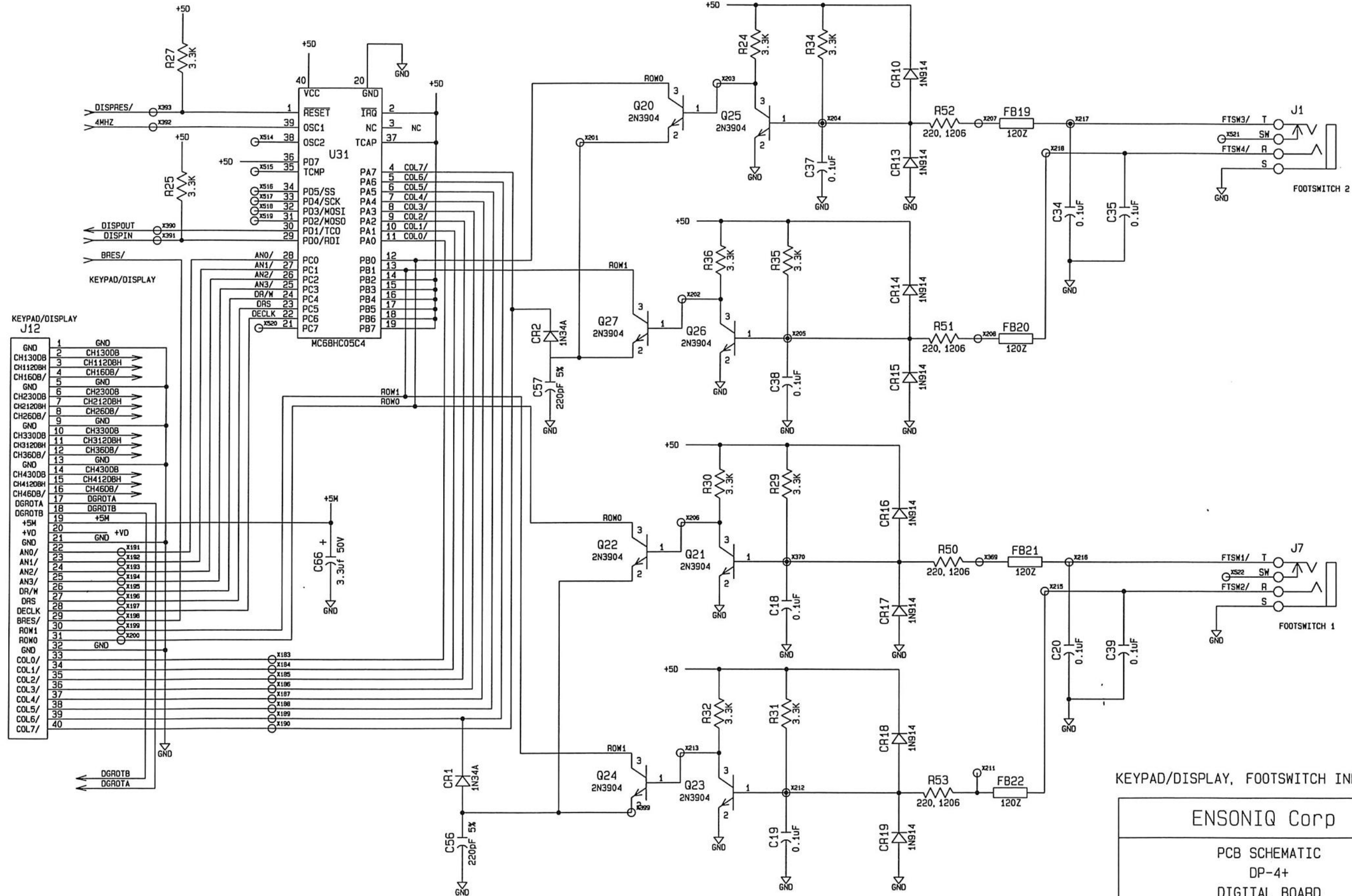
ENSONIQ Corp				
PCB SCHEMATIC DP-4+ DIGITAL BOARD				
SIZE	DWG. NO.	REV	SHEET	OF
B	4010024201	C	7	11



ESP 4

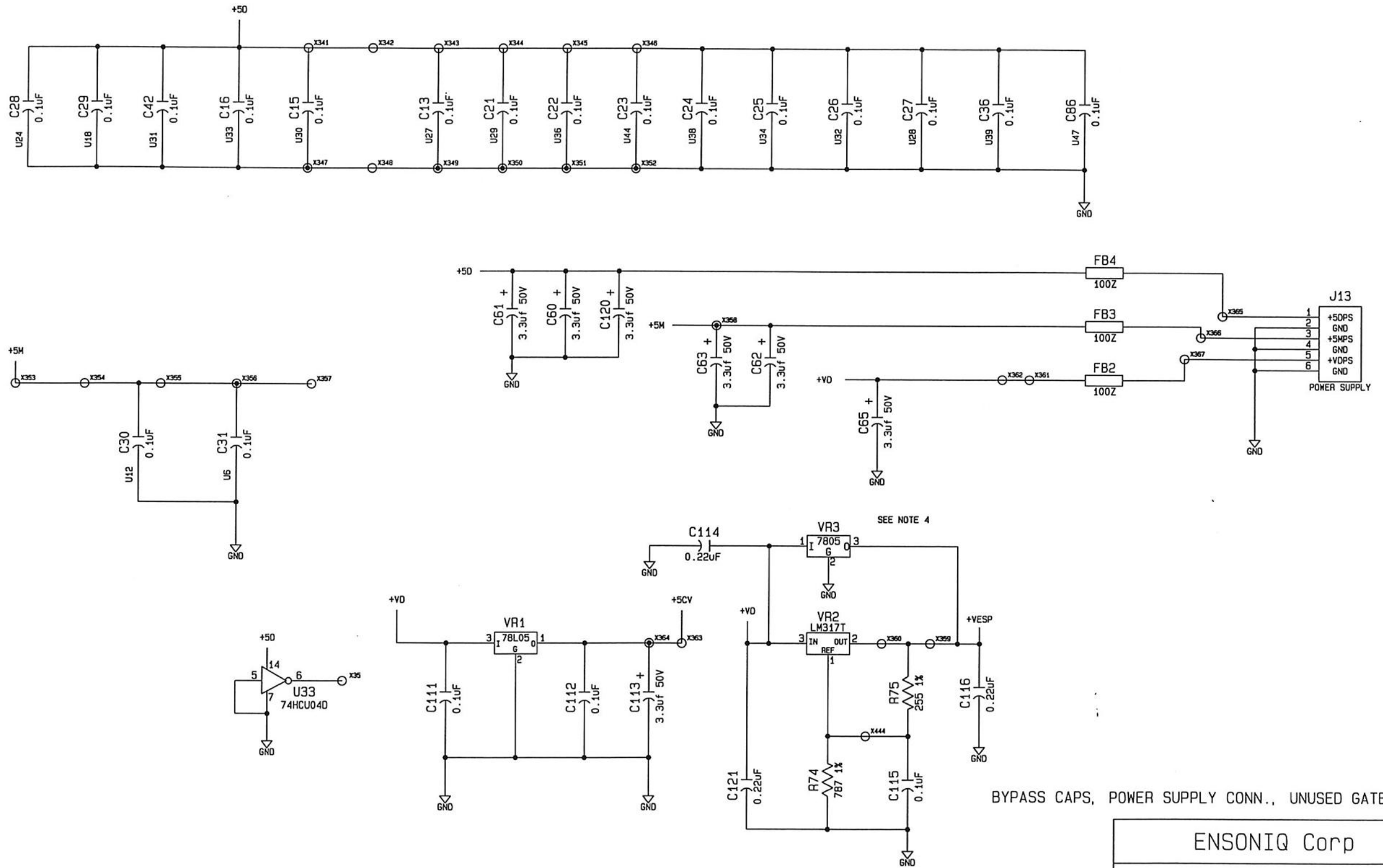
ENSONIQ Corp				
PCB SCHEMATIC DP-4+ DIGITAL BOARD				
SIZE	DWG. NO.	REV	SHEET	OF
B	4010024201	C	8	11





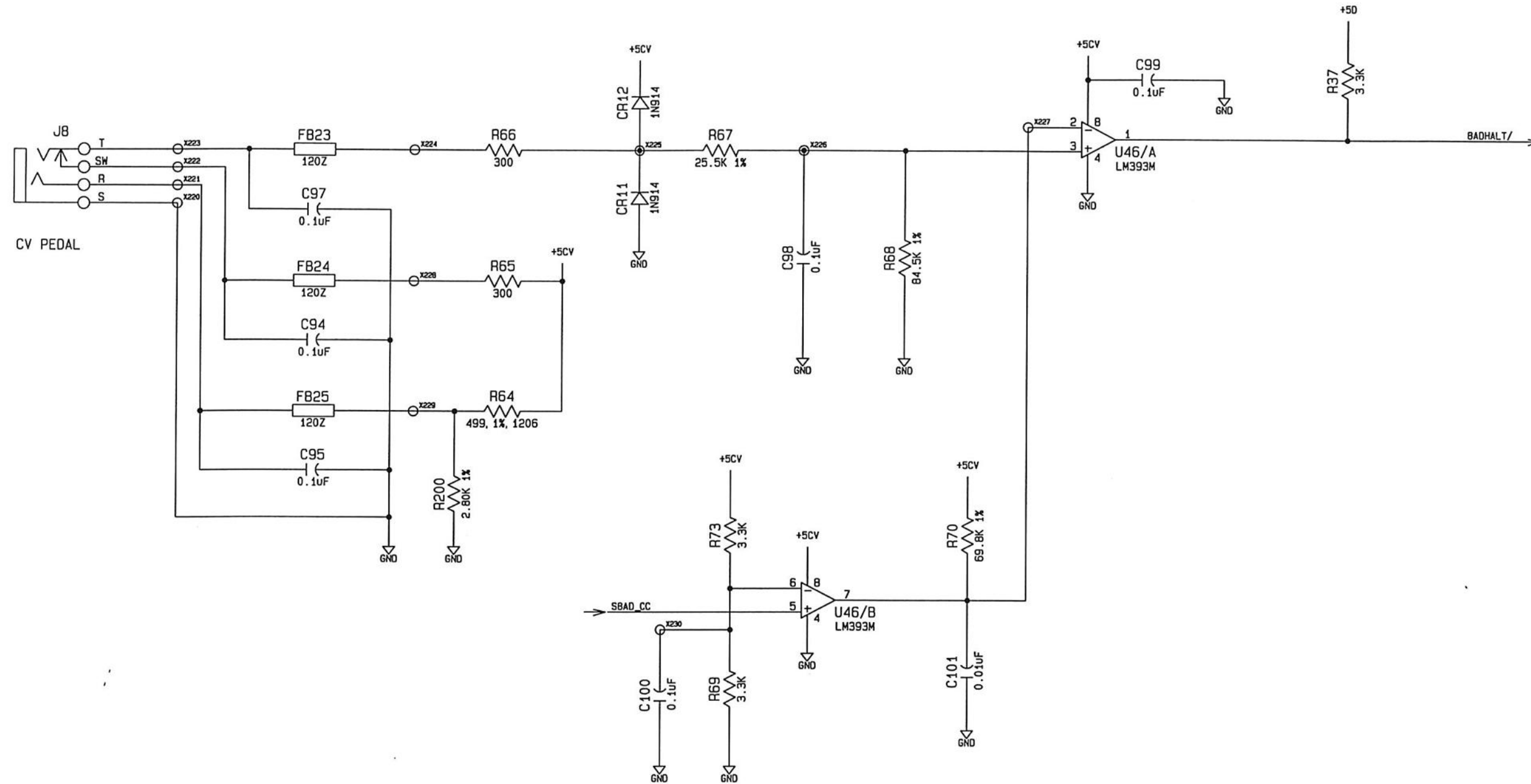
KEYPAD/DISPLAY, FOOTSWITCH INPUTS

ENSONIQ Corp				
PCB SCHEMATIC				
DP-4+				
DIGITAL BOARD				
SIZE	DWG. NO.	REV	SHEET	OF
B	4010024201	C	9	11



BYPASS CAPS, POWER SUPPLY CONN., UNUSED GATES

ENSONIQ Corp				
PCB SCHEMATIC DP-4+ DIGITAL BOARD				
SIZE	DWG. NO.	REV	SHEET	OF
B	4010024201	C	10	11



CV PEDAL A/D CONVERTER

ENSONIQ Corp				
PCB SCHEMATIC DP-4+ DIGITAL BOARD				
SIZE	DWG. NO.	REV	SHEET	OF
B	4010024201	C	11	11