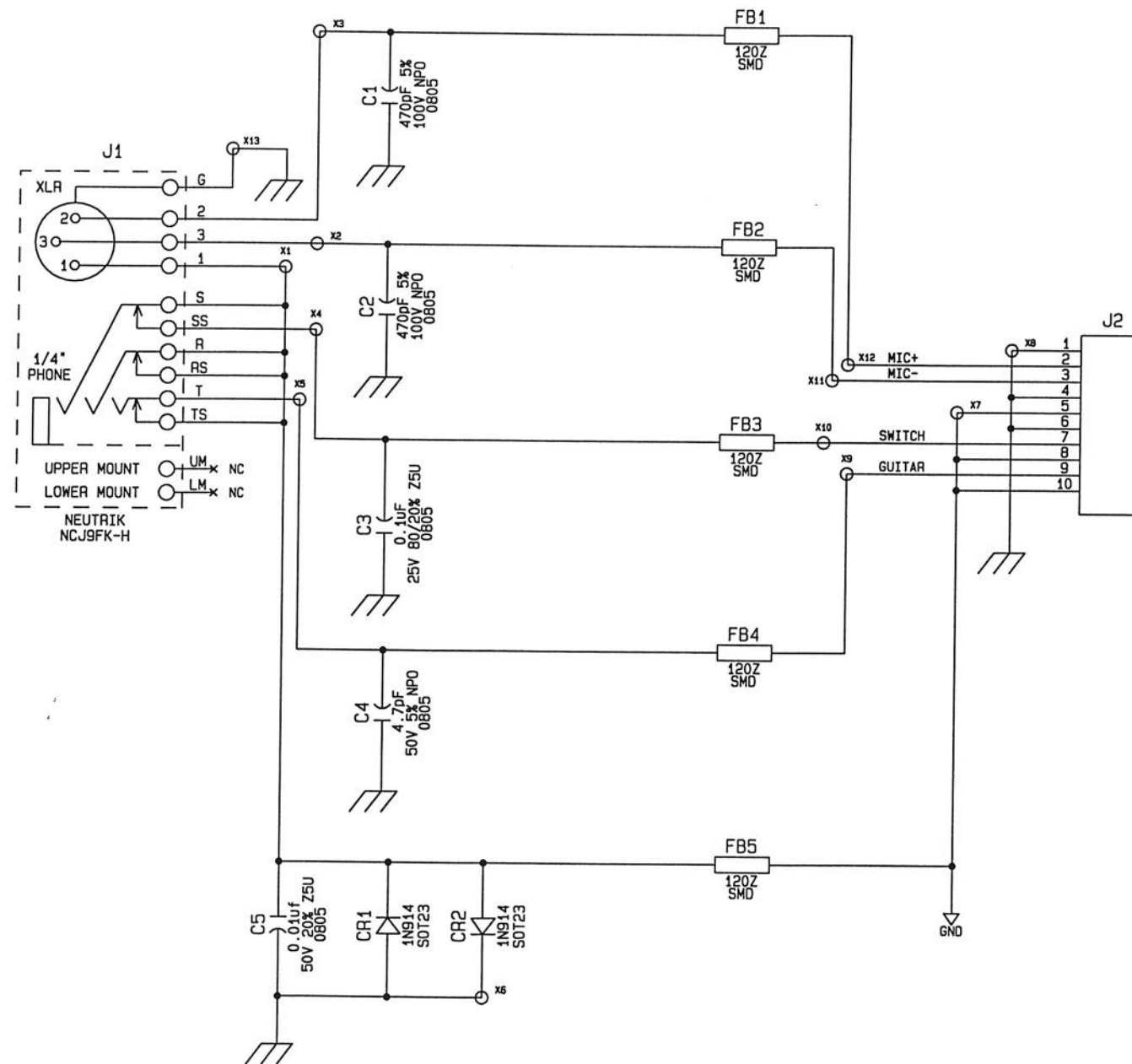


REVISIONS			
REV	DESCRIPTION	DATE	APPROVED
1	PROTOTYPE RELEASE	9-29-94	TM
A	PRODUCTION RELEASED PER EDR 42-521	12/23/94	TM



2. ALL CAPACITOR VALUES ARE IN MICROFARADS, 16V MINIMUM.  
 1. ALL RESISTOR VALUES ARE IN OHMS, 1/8W 5%.

NOTES - UNLESS SPECIFIED OTHERWISE:

**ENSONIQ CORP**  
 155 GREAT VALLEY PKWY, MALVERN PA 19355

APPROVALS	DATE	PCB SCHEMATIC XLR/JACK BOARD SHAKER				
DRAWN BY: B.CARR	8-17-94			SIZE	DWG. NO.	REV
CHECKED BY:				B	4010026301	A
APPROVED BY:		USED ON:	SCALE	SHEET	1 OF 1	
		XXX	—	1	1	