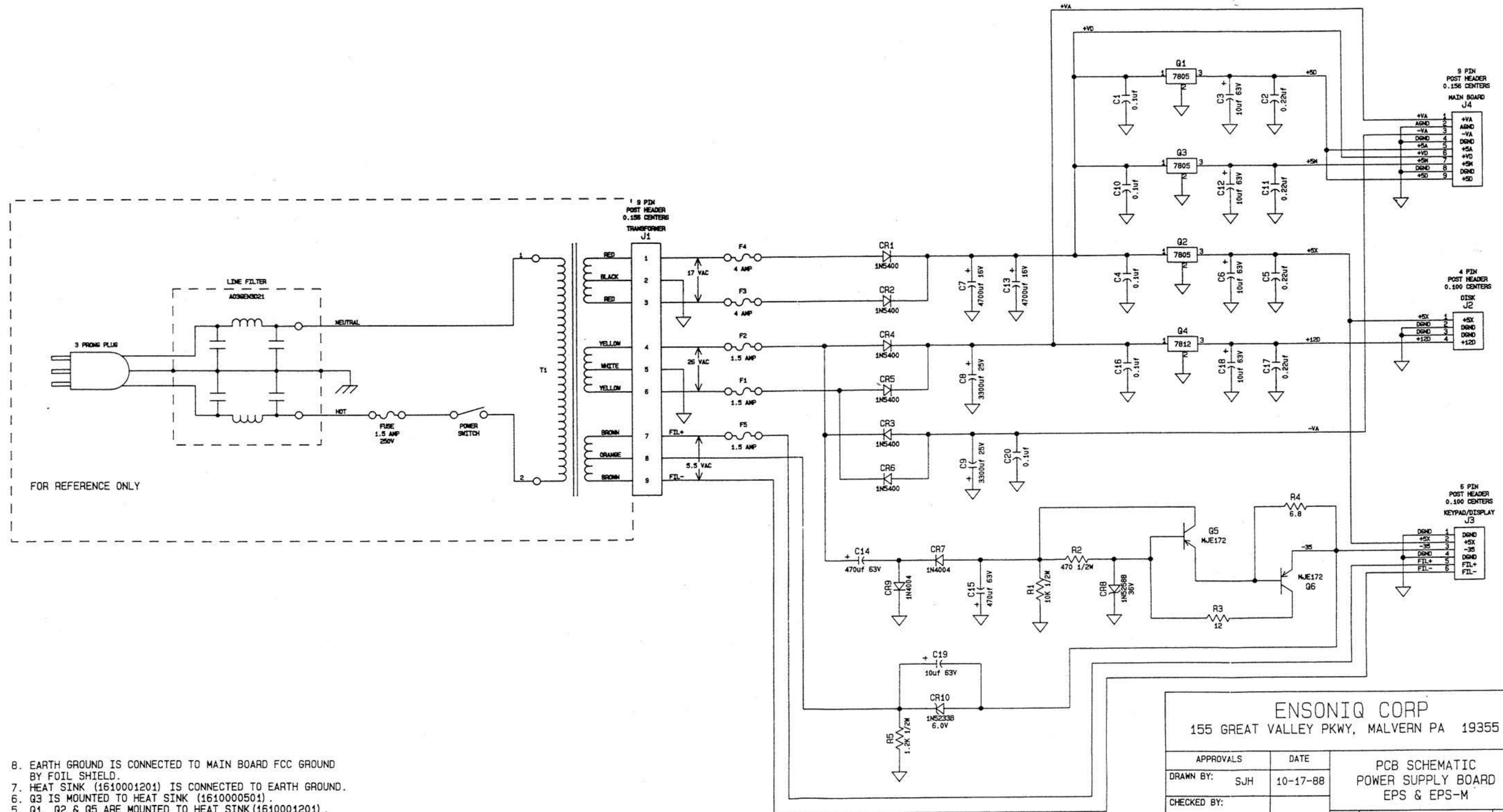


REVISIONS			
REV	DESCRIPTION	DATE	APPROVED
1	PROTOTYPE RELEASE	09-22-87	RJY
2	PROTOTYPE RELEASE	10-13-87	RJY
A	PRODUCTION RELEASE		RJY
B	REVISED PER ECO 1555	01-29-88	RJY
C	REVISED PER ECO 1661	05-27-88	RJY
D	REVISED PER ECO 1741	11/11/88	RJY



8. EARTH GROUND IS CONNECTED TO MAIN BOARD FCC GROUND BY FOIL SHIELD.
7. HEAT SINK (1610001201) IS CONNECTED TO EARTH GROUND.
6. Q3 IS MOUNTED TO HEAT SINK (1610000501).
5. Q1, Q2 & Q5 ARE MOUNTED TO HEAT SINK (1610001201).
4. F3 & F4 ARE 4.0AMP, 250V, 5 X 20mm.
3. F1, F2 & F5 ARE 1.5AMP, 250V, 5 X 20mm.
2. ALL CAPACITORS ARE 25V MINIMUM.
1. ALL RESISTORS ARE 1/4W 5%.

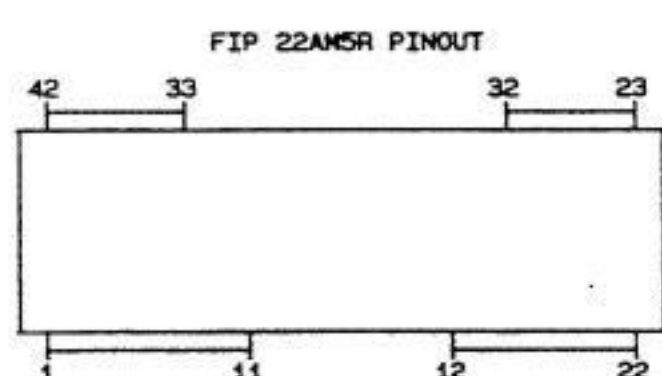
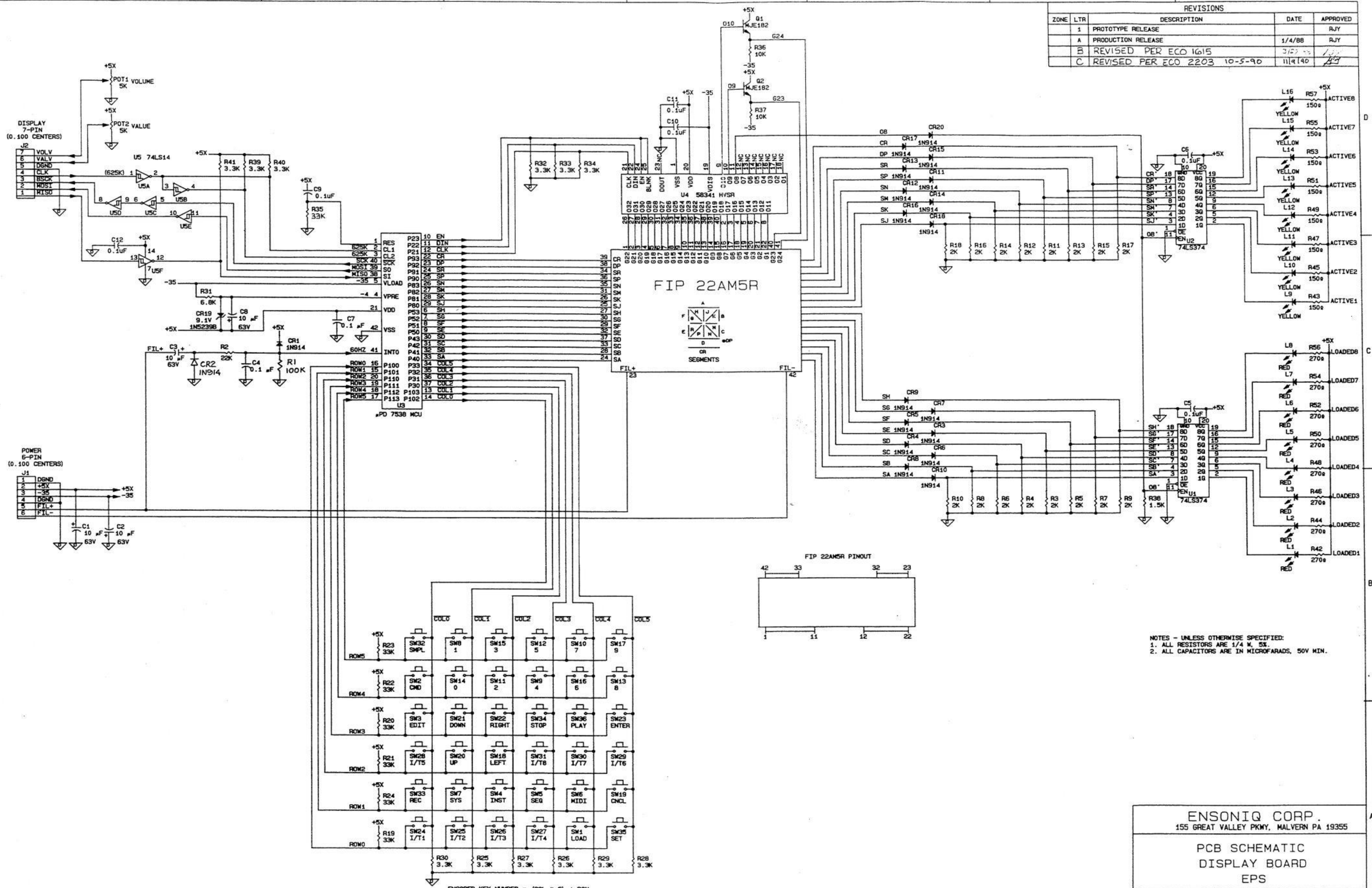
NOTES - UNLESS SPECIFIED OTHERWISE:

EPS - Power Supply

ENSONIQ CORP
155 GREAT VALLEY PKWY, MALVERN PA 19355

APPROVALS		DATE		PCB SCHEMATIC POWER SUPPLY BOARD EPS & EPS-M		SIZE	DWG. NO.	REV
DRAWN BY: SJH		10-17-88				D	4010007701	D
CHECKED BY:								
APPROVED BY:								
USED ON: EPS & EPS-M		SCALE: -		SHEET 1 OF 1				

REVISIONS				
ZONE	LTR	DESCRIPTION	DATE	APPROVED
	1	PROTOTYPE RELEASE		RJY
	A	PRODUCTION RELEASE	1/4/88	RJY
	B	REVISED PER ECO 1615	3/27/88	RJY
	C	REVISED PER ECO 2203	10-5-90	RJY



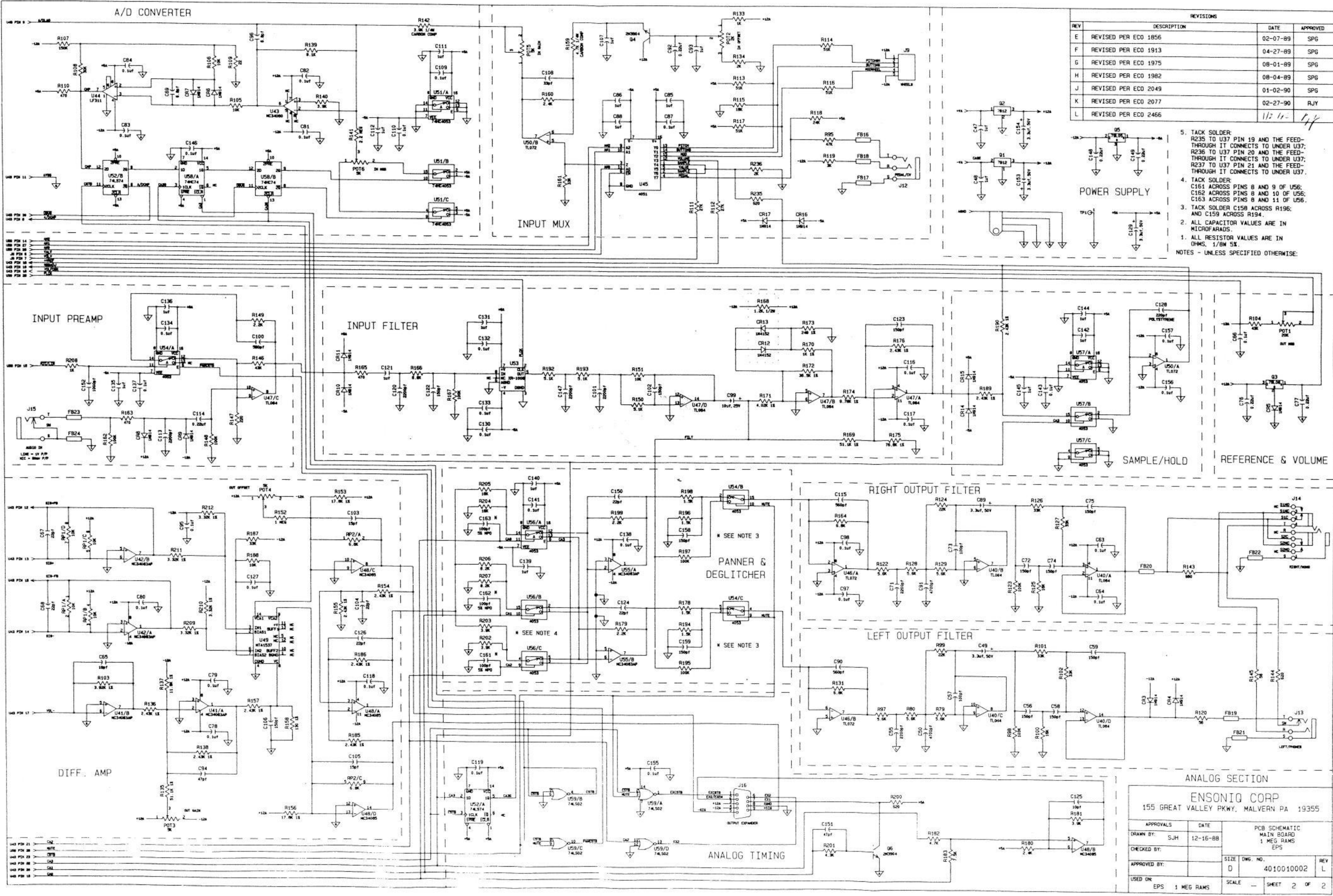
NOTES - UNLESS OTHERWISE SPECIFIED:
 1. ALL RESISTORS ARE 1/4 W. 5%.
 2. ALL CAPACITORS ARE IN MICROFARADS, 50V MIN.

ENSONIQ CORP.
 155 GREAT VALLEY PKWY, MALVERN PA 19355

PCB SCHEMATIC
 DISPLAY BOARD
 EPS

SIZE	CODE IDENT NO.	DRAWING NO.	
D		4010007301	C
SCALE	NONE	DATE FEB. 12, 1988	SHEET 1 OF 1

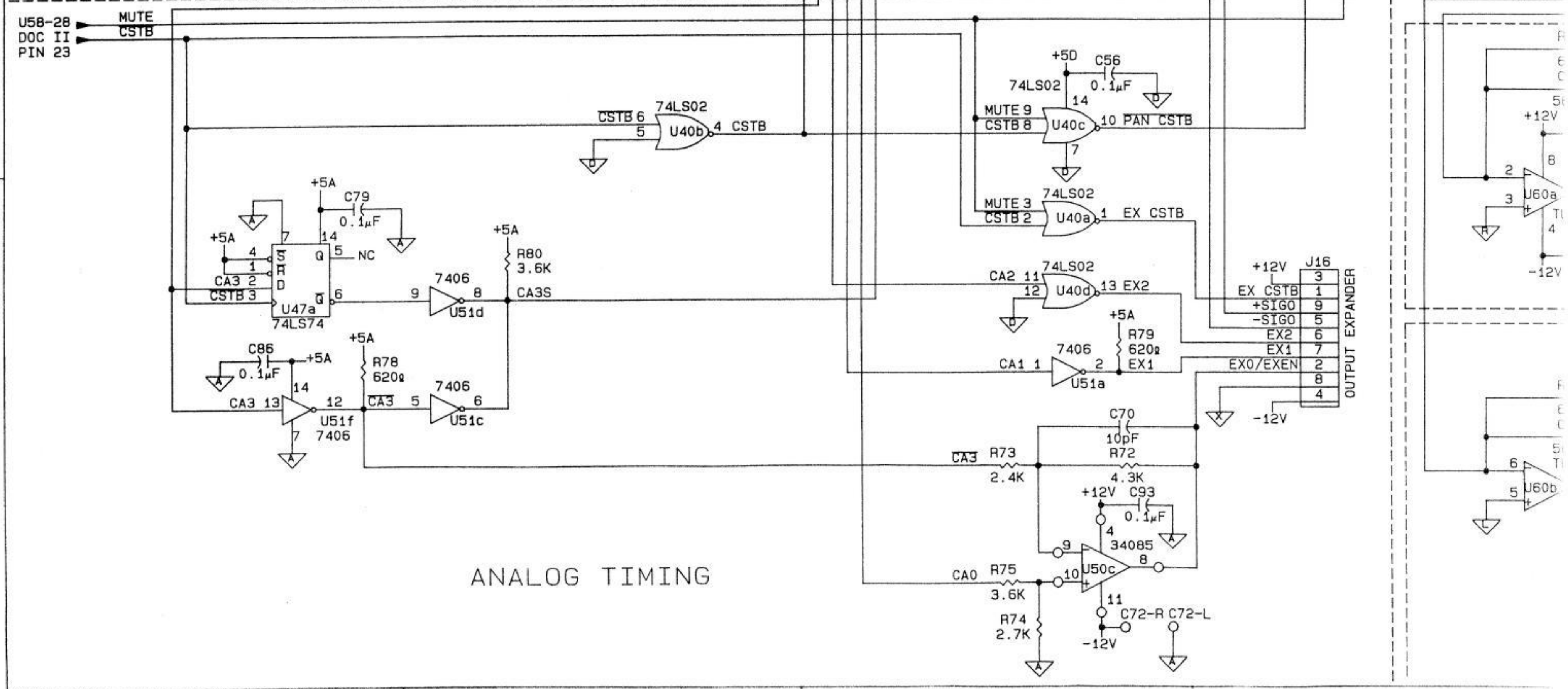
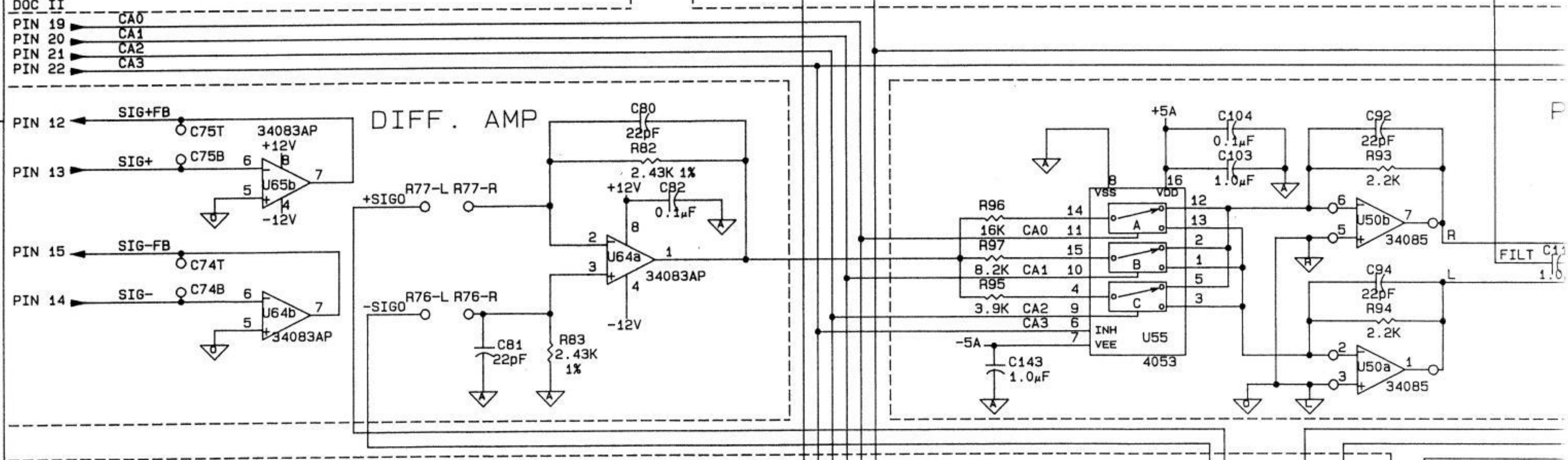
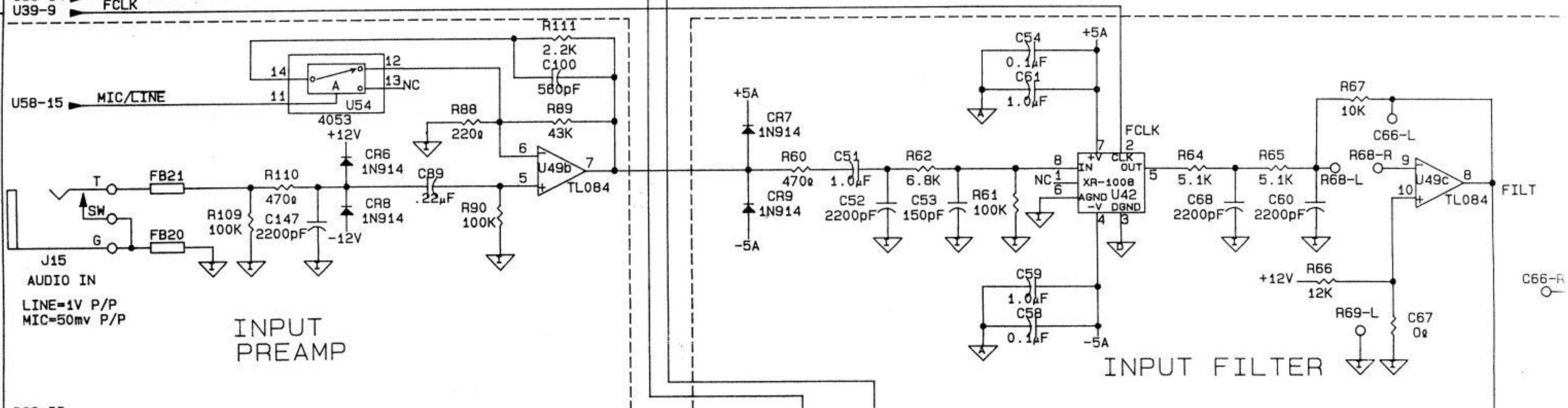
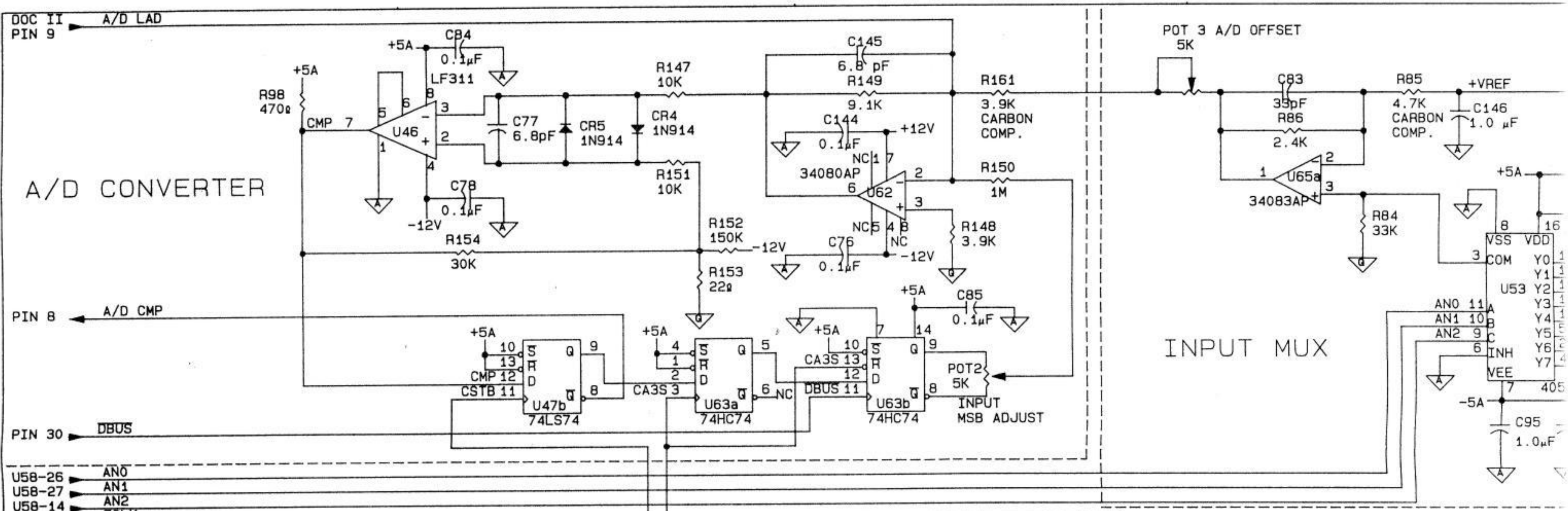
EPS - Keypad/Display

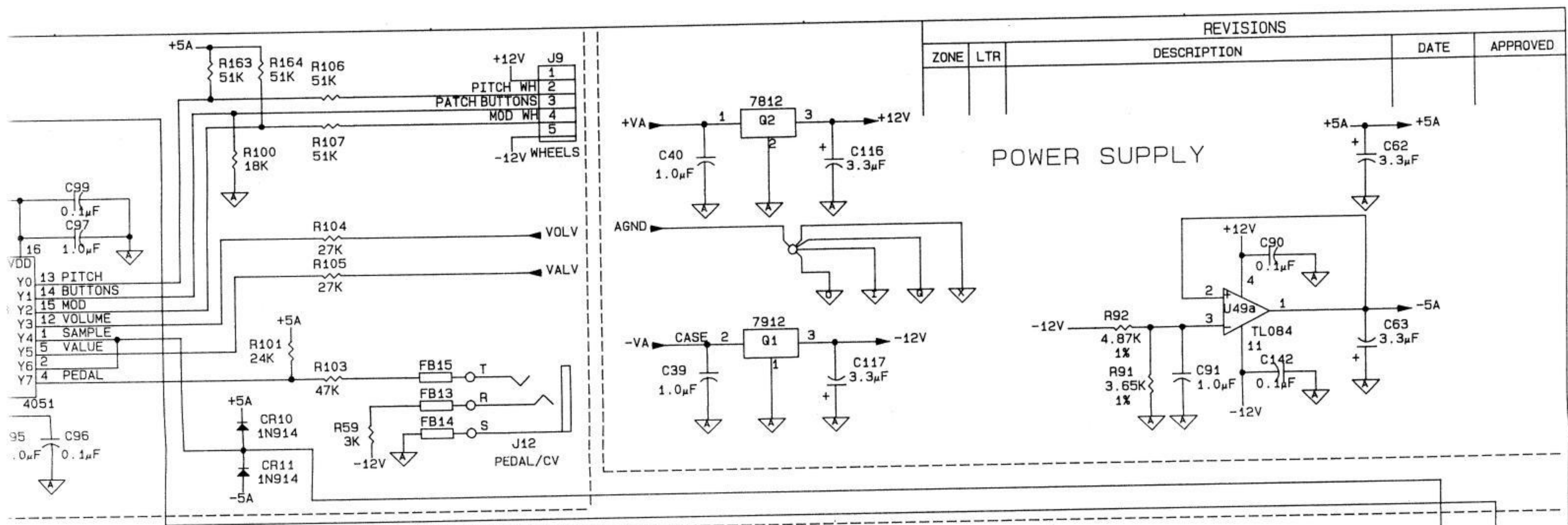


REVISIONS			
REV	DESCRIPTION	DATE	APPROVED
E	REVISED PER ECO 1856	02-07-89	SPG
F	REVISED PER ECO 1913	04-27-89	SPG
G	REVISED PER ECO 1975	08-01-89	SPG
H	REVISED PER ECO 1982	08-04-89	SPG
J	REVISED PER ECO 2049	01-02-90	SPG
K	REVISED PER ECO 2077	02-27-90	RJY
L	REVISED PER ECO 2466	11/11/91	

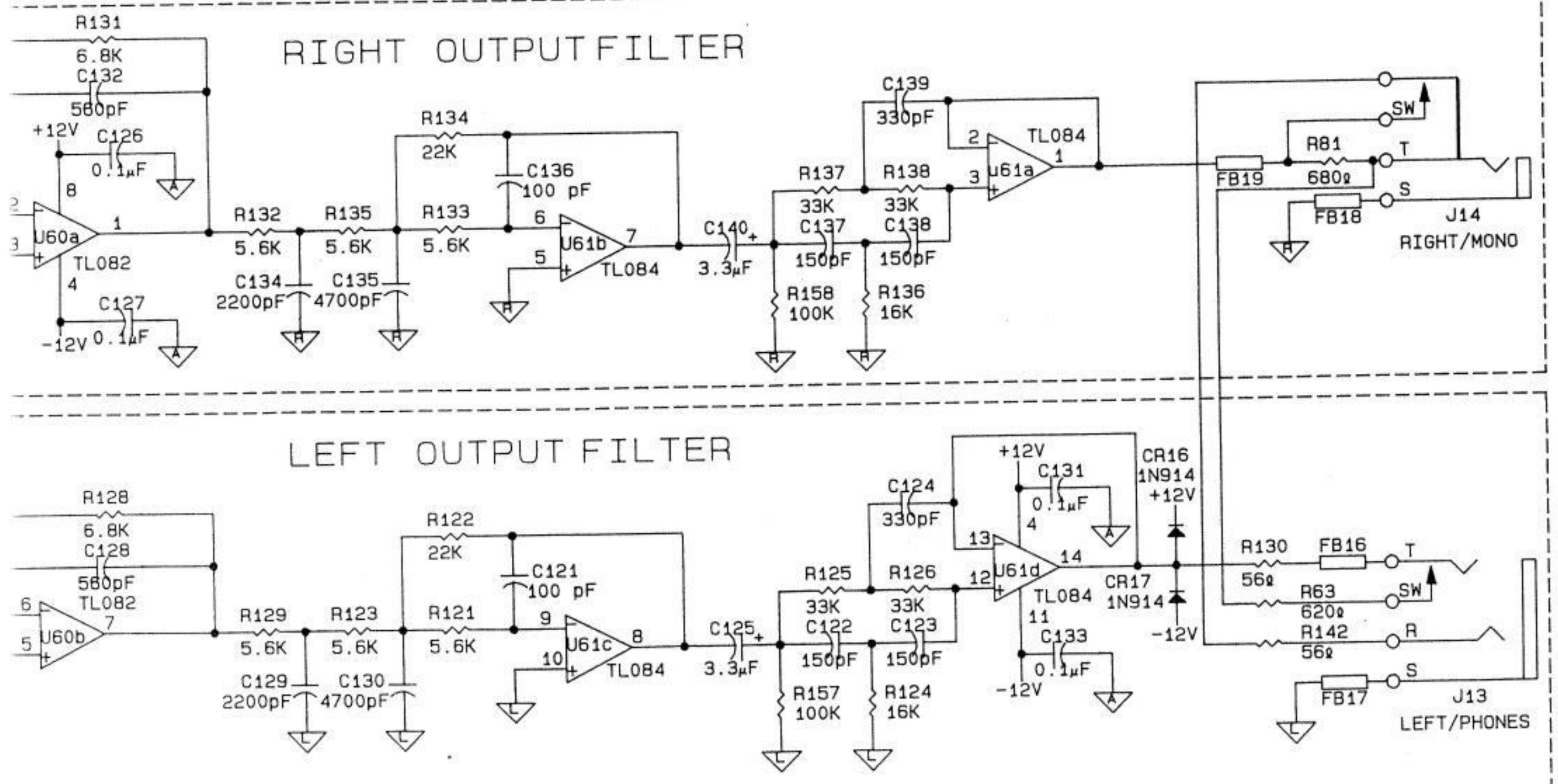
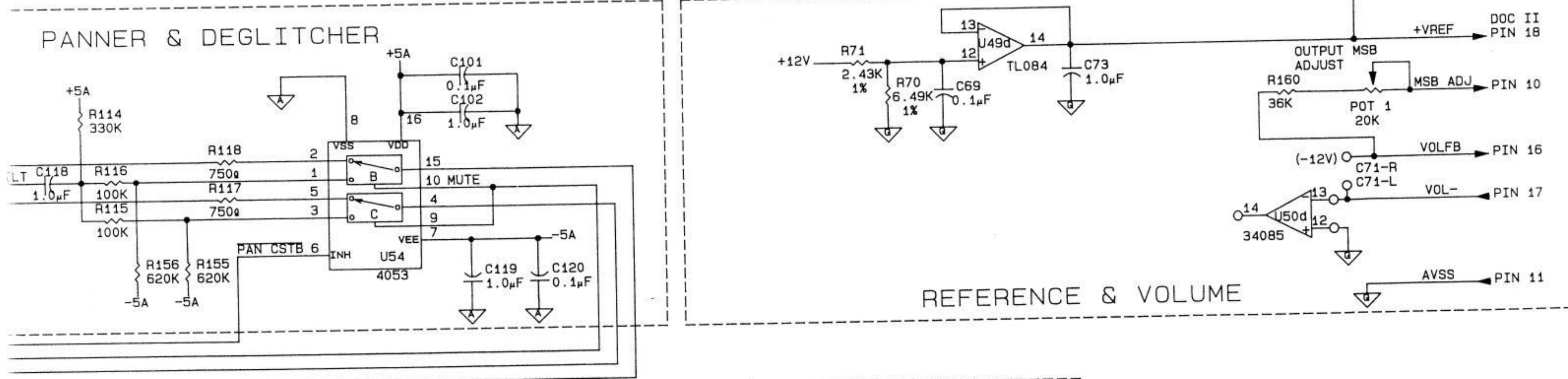
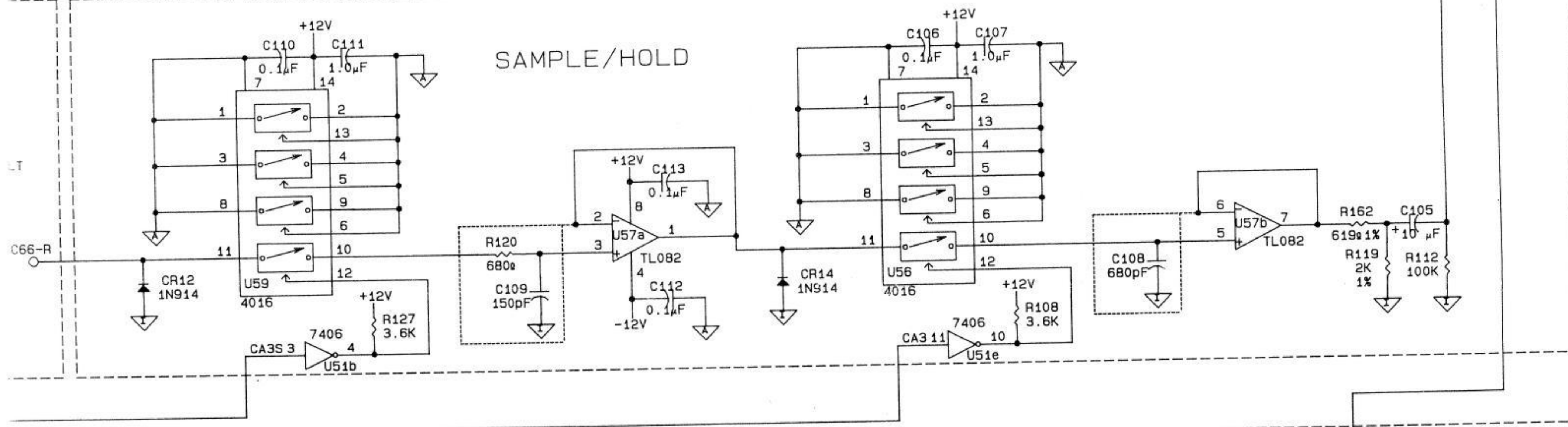
1. ALL RESISTOR VALUES ARE IN OHMS, 1/8W 5%.
 2. ALL CAPACITOR VALUES ARE IN MICROFARADS.
 3. TACK SOLDER C158 ACROSS R196 AND C159 ACROSS R194.
 4. TACK SOLDER: C162 ACROSS PINS 8 AND 9 OF U56; C163 ACROSS PINS 9 AND 10 OF U56; C164 ACROSS PINS 8 AND 11 OF U56.
 5. TACK SOLDER: R235 TO U37 PIN 19 AND THE FEED-THROUGH IT CONNECTS TO UNDER U37; R236 TO U37 PIN 20 AND THE FEED-THROUGH IT CONNECTS TO UNDER U37; R237 TO U37 PIN 21 AND THE FEED-THROUGH IT CONNECTS TO UNDER U37.
- NOTES - UNLESS SPECIFIED OTHERWISE:

ANALOG SECTION			
ENSONIQ CORP			
155 GREAT VALLEY PKWY, MALVERN PA 19355			
APPROVALS	DATE	PCB SCHEMATIC	
DRAWN BY: SJH	12-16-88	MAIN BOARD	
CHECKED BY:		1 MEG RAMS	
APPROVED BY:		SIZE	DWG. NO.
		D	4010010002
USED ON:	EPS 1 MEG RAMS	SCALE	SHEET 2 OF 2





REVISIONS				
ZONE	LTR	DESCRIPTION	DATE	APPROVED

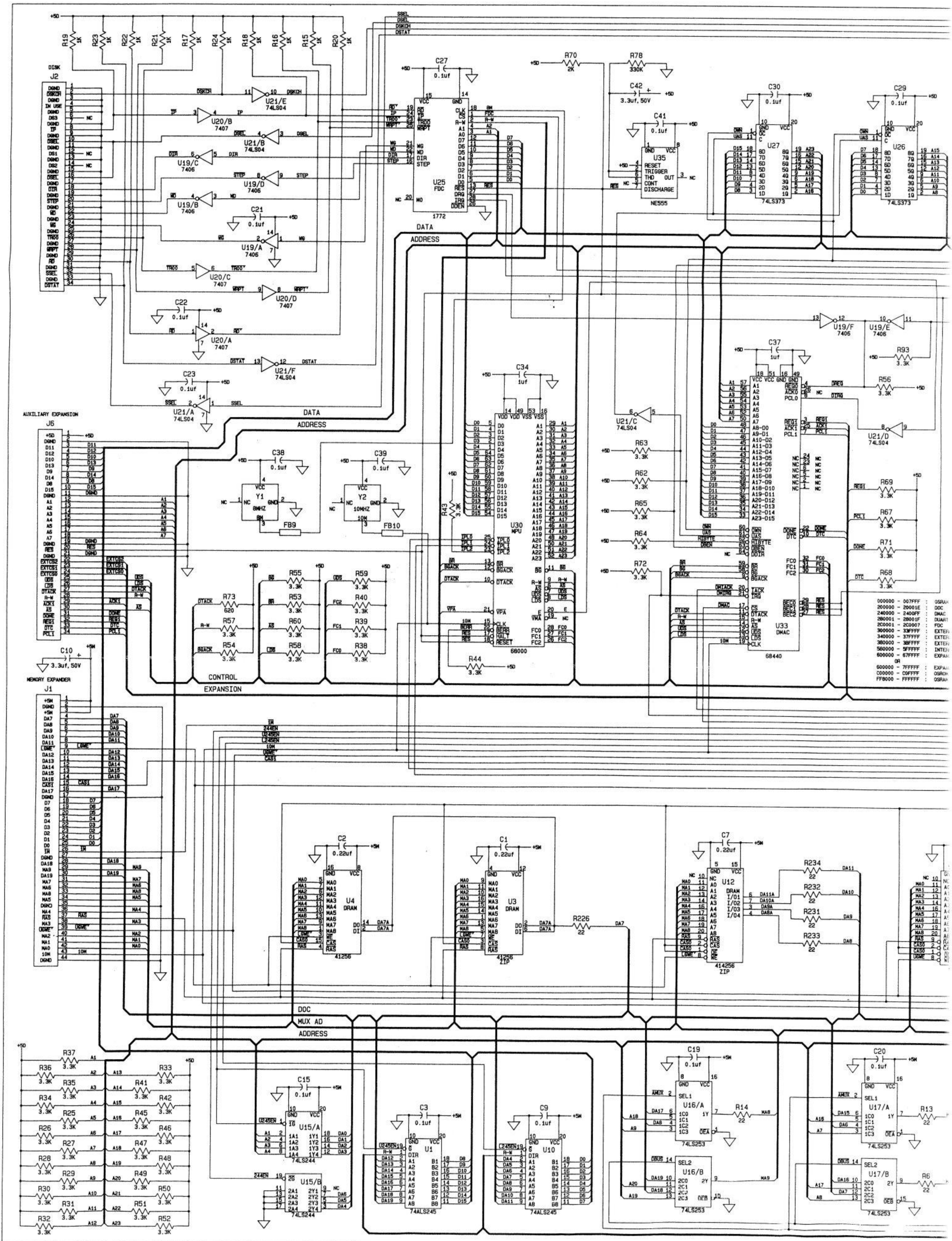


- NOTES,
UNLESS SPECIFIED OTHERWISE:
1. ALL CAPACITORS ARE IN MICROFARADS, 25V MIN.
 2. ALL RESISTORS ARE IN OHMS, 1/4W, 5%.
 3. THE FOLLOWING DESIGNATORS ARE SHOWN ON THE PCB BUT NOT ON THE SCHEMATIC. THEY ARE NOT TO BE ASSEMBLED WHEN THE TOWER BOARD (4090009101) IS BEING USED: R68, R69, R76, R77, C66, C71, C72, C74 AND C75.
 4. U50 IS ON THE TOWER BOARD AND SHOWN ON THIS SCHEMATIC FOR REFERENCE PURPOSES.

ENSONIQ CORP.
155 GREAT VALLEY PKWY, MALVERN PA. 19355

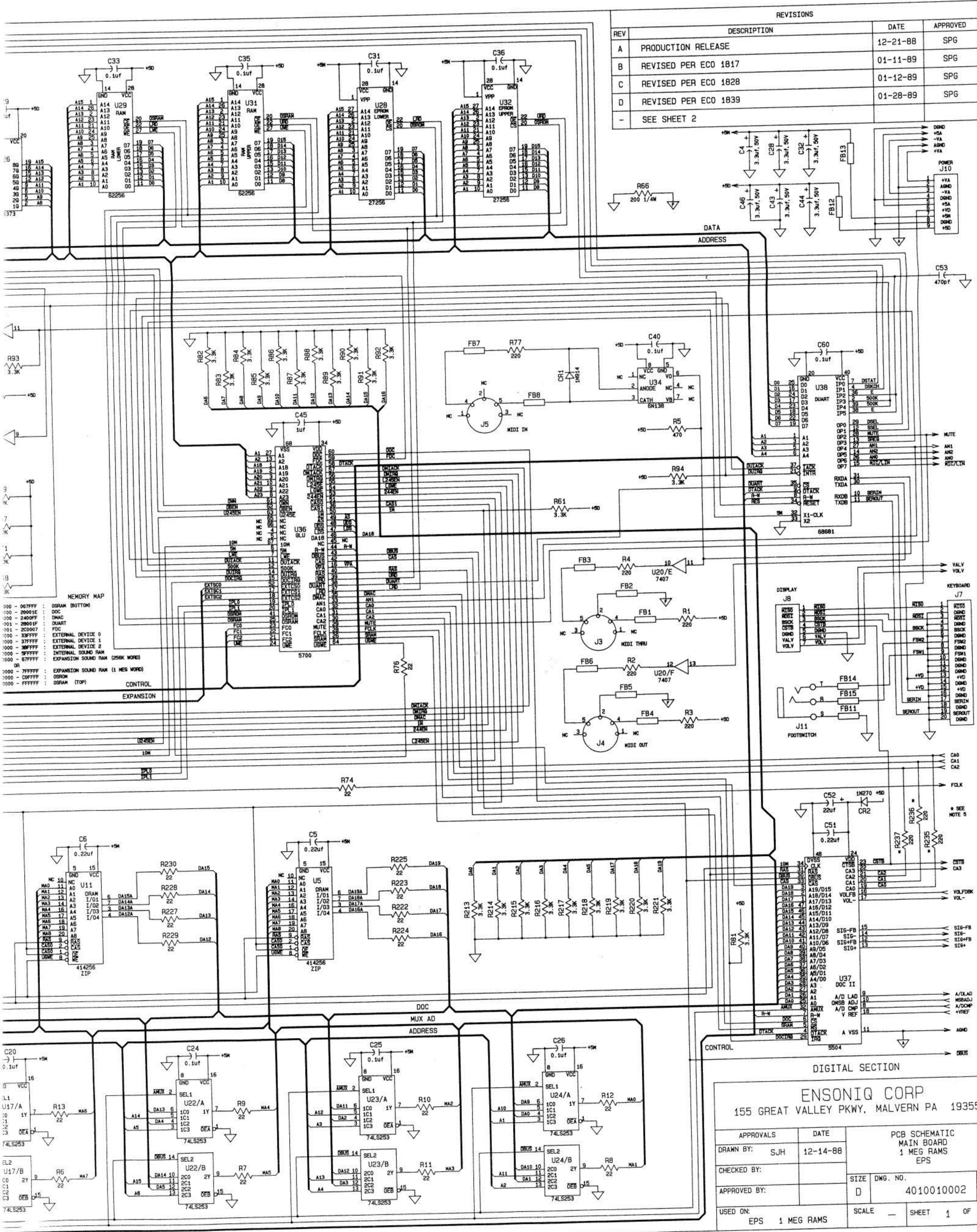
PCB SCHEMATIC
MAIN BOARD
EPS (ANALOG SECTION)

SIZE	CODE IDENT NO.	DRAWING NO.
D	DRAWN BY: R. YANNES	4010007501
SCALE NONE	DATE 1/20/88	SHEET 2 of 2 REV P



000000 - 007FFF : OSRAM
200000 - 20001E : DDC
240000 - 2400FF : DMAC
280001 - 28001F : DMAR1
2C0001 - 2C0007 : FDC
300000 - 30FFFF : EXTER1
340000 - 37FFFF : EXTER2
380000 - 3BFFFF : EXTER3
500000 - 7FFFFF : INTER1
600000 - 67FFFF : EXPAN1
OR
600000 - 7FFFFF : EXPAN2
C00000 - C0FFFF : OSRAM
FF9000 - FFFFFF : OSRAM

REVISIONS			
REV	DESCRIPTION	DATE	APPROVED
A	PRODUCTION RELEASE	12-21-88	SPG
B	REVISED PER ECO 1817	01-11-89	SPG
C	REVISED PER ECO 1828	01-12-89	SPG
D	REVISED PER ECO 1839	01-28-89	SPG
-	SEE SHEET 2		

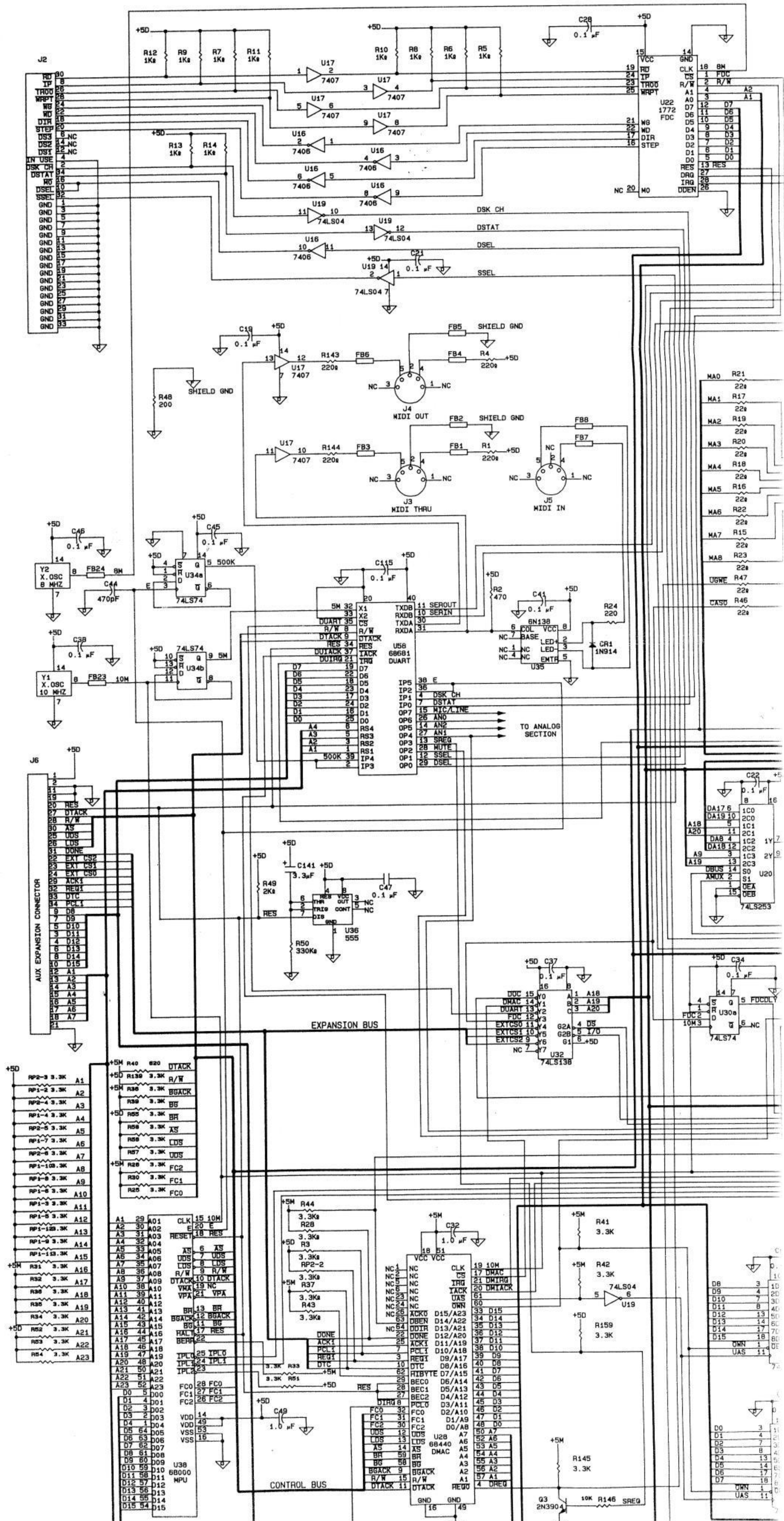


MEMORY MAP

0000-007FFF	OSRAM (BOTTOM)
0000-20001E	DOC
0000-2400FF	DMAC
0000-28001F	DUART
0000-2C0007	FOC
0000-33FFFF	EXTERNAL DEVICE 0
0000-37FFFF	EXTERNAL DEVICE 1
0000-3BFFFF	EXTERNAL DEVICE 2
0000-3FFFFF	INTERNAL SOUND RAM
0000-57FFFF	EXPANSION SOUND RAM (256K WORD)
0000-7FFFFF	EXPANSION SOUND RAM (1 MEG WORD)
0000-C0FFFF	OSRAM
0000-FFFFFF	OSRAM (TOP)

ENSONIQ CORP
155 GREAT VALLEY PKWY, MALVERN PA 19355

APPROVALS	DATE	PCB SCHEMATIC MAIN BOARD 1 MEG RAMS EPS
DRAWN BY: SJH	12-14-88	
CHECKED BY:		SIZE DWG. NO. D 4010010002
APPROVED BY:		REV L
USED ON: EPS 1 MEG RAMS		SCALE - SHEET 1 OF 2



RP2-3 3.3k	A1	RP1-2 3.3k	A2	RP2-4 3.3k	A3	RP1-3 3.3k	A4	RP2-5 3.3k	A5	RP1-4 3.3k	A6	RP2-6 3.3k	A7	RP1-5 3.3k	A8	RP2-7 3.3k	A9	RP1-6 3.3k	A10	RP2-8 3.3k	A11	RP1-7 3.3k	A12	RP2-9 3.3k	A13	RP1-8 3.3k	A14	RP2-10 3.3k	A15	RP1-9 3.3k	A16	RP2-11 3.3k	A17	RP1-10 3.3k	A18	RP2-12 3.3k	A19	RP1-11 3.3k	A20	RP2-13 3.3k	A21	RP1-12 3.3k	A22	RP2-14 3.3k	A23																																																																																																																																																																						
A1	29	A01	CLK	15	10M	A2	30	A02	EL	20	E	A3	31	A03	RES	18	A4	32	A04	RES	6	XS	A5	33	A05	AS	6	US	A6	34	A06	DDS	7	US	A7	35	A07	LDS	8	LDS	A8	36	A08	R/W	9	R/W	A9	37	A09	DTACK	10	DTACK	A10	38	A10	VKA	19	NC	A11	39	A11	VPA	21	VPA	A12	40	A12	BR	13	BR	A13	41	A13	BSACK	12	BSACK	A14	42	A14	BS	11	BS	A15	43	A15	HAL	17	RES	A16	44	A16	HAL	17	RES	A17	45	A17	BERR	22	BERR	A18	46	A18	IPL0	25	IPL0	A19	47	A19	IPL1	24	IPL1	A20	48	A20	IPL2	23	IPL2	A21	49	A21	FC0	28	FC0	A22	50	A22	FC1	27	FC1	A23	51	A23	FC2	26	FC2	D0	5	D00	D1	4	D01	D2	3	D02	D3	2	D03	D4	1	D04	D5	64	D05	VSS	53	VSS	D6	63	D06	VSS	53	VSS	D7	62	D07	VSS	53	VSS	D8	61	D08	VSS	53	VSS	D9	60	D09	VSS	53	VSS	D10	59	D10	68000	NPV	D11	58	D11	68000	NPV	D12	57	D12	68000	NPV	D13	56	D13	68000	NPV	D14	55	D14	68000	NPV	D15	54	D15	68000	NPV

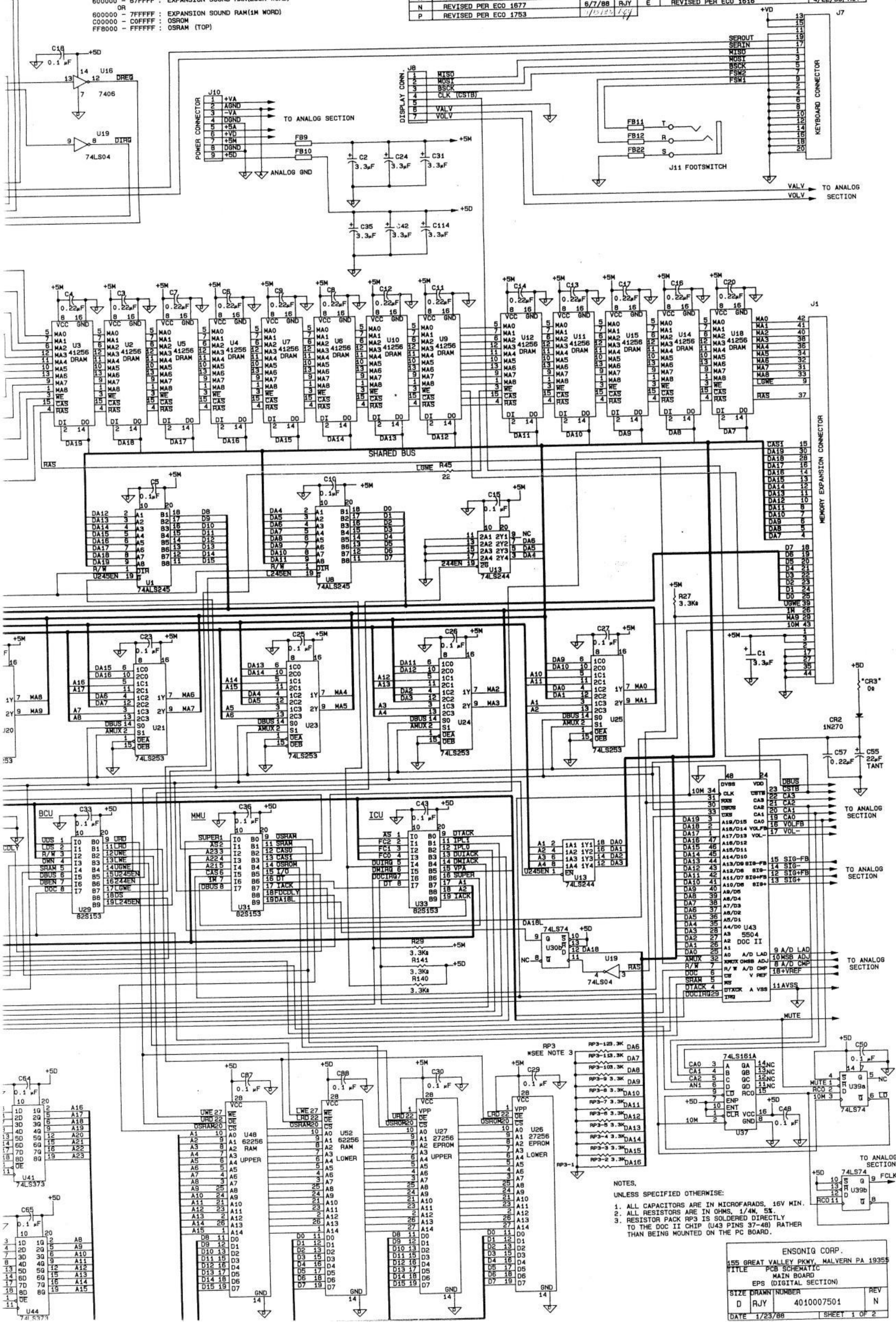
MA0	R21	22k
MA1	R17	22k
MA2	R19	22k
MA3	R20	22k
MA4	R18	22k
MA5	R16	22k
MA6	R22	22k
MA7	R15	22k
MA8	R23	22k
UGW	R47	22k
CAS0	R46	22k
		22k

DA17	5	1C0
DA19	10	1C1
DA8	4	1C2
DA18	12	2C2
DA9	3	1C3
DA10	11	2C3
DA11	13	2C3
DA12	14	2C3
DA13	15	2C3
DA14	16	2C3
DA15	17	2C3
DA16	18	2C3
DA17	19	2C3
DA18	20	2C3
DA19	21	2C3
DA20	22	2C3
DA21	23	2C3
DA22	24	2C3
DA23	25	2C3
DA24	26	2C3
DA25	27	2C3
DA26	28	2C3
DA27	29	2C3
DA28	30	2C3
DA29	31	2C3
DA30	32	2C3
DA31	33	2C3
DA32	34	2C3
DA33	35	2C3
DA34	36	2C3
DA35	37	2C3
DA36	38	2C3
DA37	39	2C3
DA38	40	2C3
DA39	41	2C3
DA40	42	2C3
DA41	43	2C3
DA42	44	2C3
DA43	45	2C3
DA44	46	2C3
DA45	47	2C3
DA46	48	2C3
DA47	49	2C3
DA48	50	2C3
DA49	51	2C3
DA50	52	2C3
DA51	53	2C3
DA52	54	2C3
DA53	55	2C3
DA54	56	2C3
DA55	57	2C3
DA56	58	2C3
DA57	59	2C3
DA58	60	2C3
DA59	61	2C3
DA60	62	2C3
DA61	63	2C3
DA62	64	2C3
DA63	65	2C3
DA64	66	2C3
DA65	67	2C3
DA66	68	2C3
DA67	69	2C3
DA68	70	2C3
DA69	71	2C3
DA70	72	2C3
DA71	73	2C3
DA72	74	2C3
DA73	75	2C3
DA74	76	2C3
DA75	77	2C3
DA76	78	2C3
DA77	79	2C3
DA78	80	2C3
DA79	81	2C3
DA80	82	2C3
DA81	83	2C3
DA82	84	2C3
DA83	85	2C3
DA84	86	2C3
DA85	87	2C3
DA86	88	2C3
DA87	89	2C3
DA88	90	2C3
DA89	91	2C3
DA90	92	2C3
DA91	93	2C3
DA92	94	2C3
DA93	95	2C3
DA94	96	2C3
DA95	97	2C3
DA96	98	2C3
DA97	99	2C3
DA98	100	2C3

MEMORY MAP:

000000 - 007FFF : OSRAM (BOTTOM)
 200000 - 20001E : DDC
 240000 - 2400FF : DMAC
 280001 - 28001F : DUART
 2C0001 - 2C0007 : FDC
 300000 - 33FFFF : EXTERNAL DEVICE 0
 340000 - 37FFFF : EXTERNAL DEVICE 1
 380000 - 3BFFFF : EXTERNAL DEVICE 2
 580000 - 5FFFFF : INTERNAL SOUND RAM
 600000 - 67FFFF : EXPANSION SOUND RAM(256K WORD)
 OR
 600000 - 7FFFFF : EXPANSION SOUND RAM(1M WORD)
 C00000 - C0FFFF : OSROM
 FF8000 - FFFFFF : OSRAM (TOP)

REVISIONS				
REV	DESCRIPTION	DATE	APPVD	
F	REVISED PER ECO 1644	5/11/88	RJY	REV
G	REVISED PER ECO 1650	5/31/88	RJY	3
H	REVISED PER ECO 1667	6/1/88	RJY	4
J	REVISED PER ECO 1669	6/1/88	RJY	A
K	REVISED PER ECO 1673	6/2/88	RJY	B
L	REVISED PER ECO 1675	6/6/88	RJY	C
M	REVISED PER ECO 1676	6/7/88	RJY	D
N	REVISED PER ECO 1677	6/7/88	RJY	E
P	REVISED PER ECO 1753	1/15/89	RJY	



- NOTES:
 UNLESS SPECIFIED OTHERWISE:
 1. ALL CAPACITORS ARE IN MICROFARADS, 16V MIN.
 2. ALL RESISTORS ARE IN OHMS, 1/4W, 5%
 3. RESISTOR PACK RP3 IS SOLDERED DIRECTLY TO THE DOC II CHIP (U43 PINS 37-48) RATHER THAN BEING MOUNTED ON THE PC BOARD.

ENSONIG CORP.
 155 GREAT VALLEY PKWY, MALVERN PA 19355
 TITLE PCB SCHEMATIC
 MAIN BOARD
 EPS (DIGITAL SECTION)
 SIZE DRAWING NUMBER
 D RJY 4010007501 N
 DATE 1/23/88 SHEET 1 OF 2