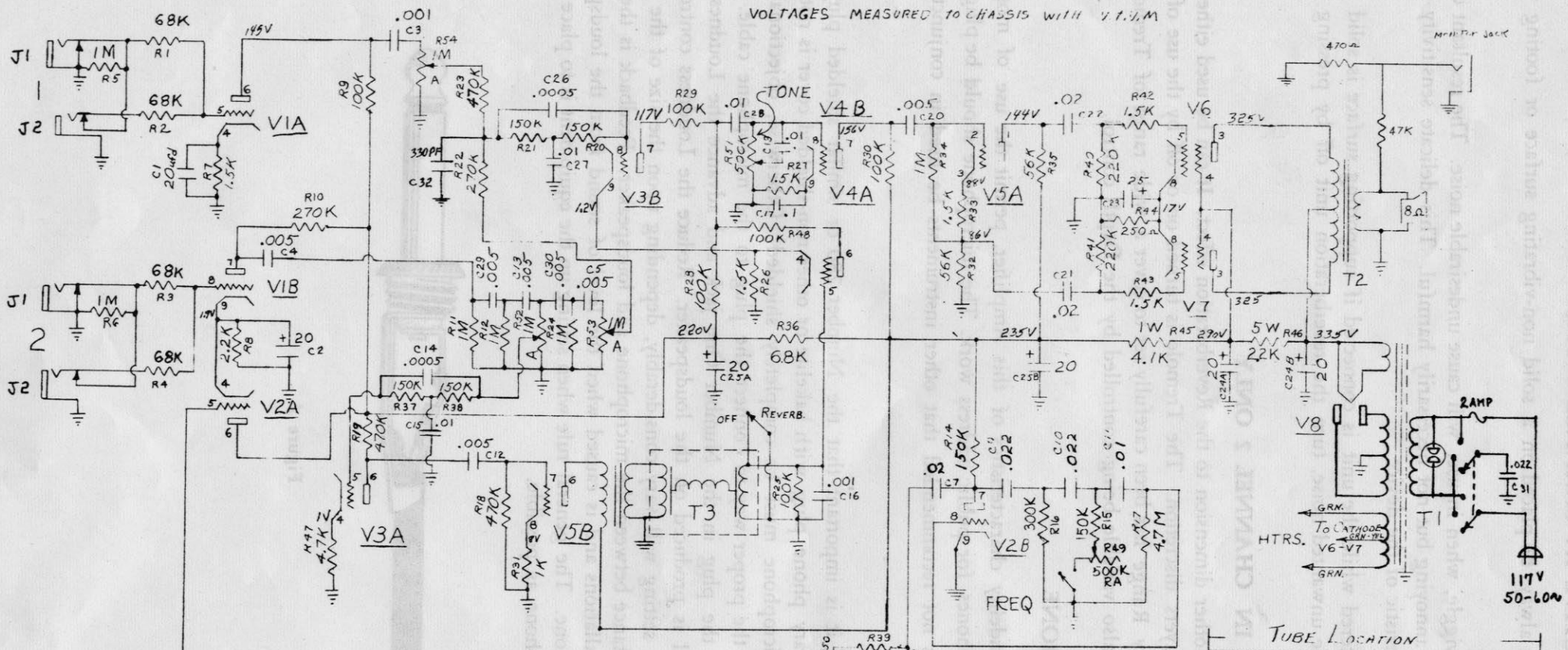


EA-15RV7

VOLTAGES MEASURED TO CHASSIS WITH 1.1V.M



CONTROLS

- R52, R53, R54 1 Meg, C2 Audio Taper (Reverb. & Loudness) C-BA-811-3709
- R51 (Tone) 500K, C2 Audio Taper C-BA-811-3707
- R50 (Depth) 500K, C3 Reversed-Audio C-BA-811-3704
- R49 (Frequency) 500K, C3 Reversed Audio C-BA-811-3706

SWITCH

- S1 SPST-SPDT 3 prs. Rotary Switch SW-899

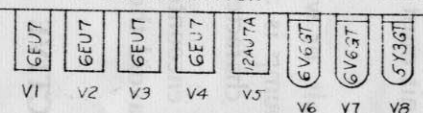
SPEAKER

- S-7334-2 C15R 15" Speaker with 90 cycle resonance cone. Jensen

TRANSFORMERS

- T1 Power Transformer TF-23-P
- T2 Output Transformer TF-18-01
- T3 Reverb. Transformer TF-E-6400

TUBE LOCATION



117V
50-60Hz