

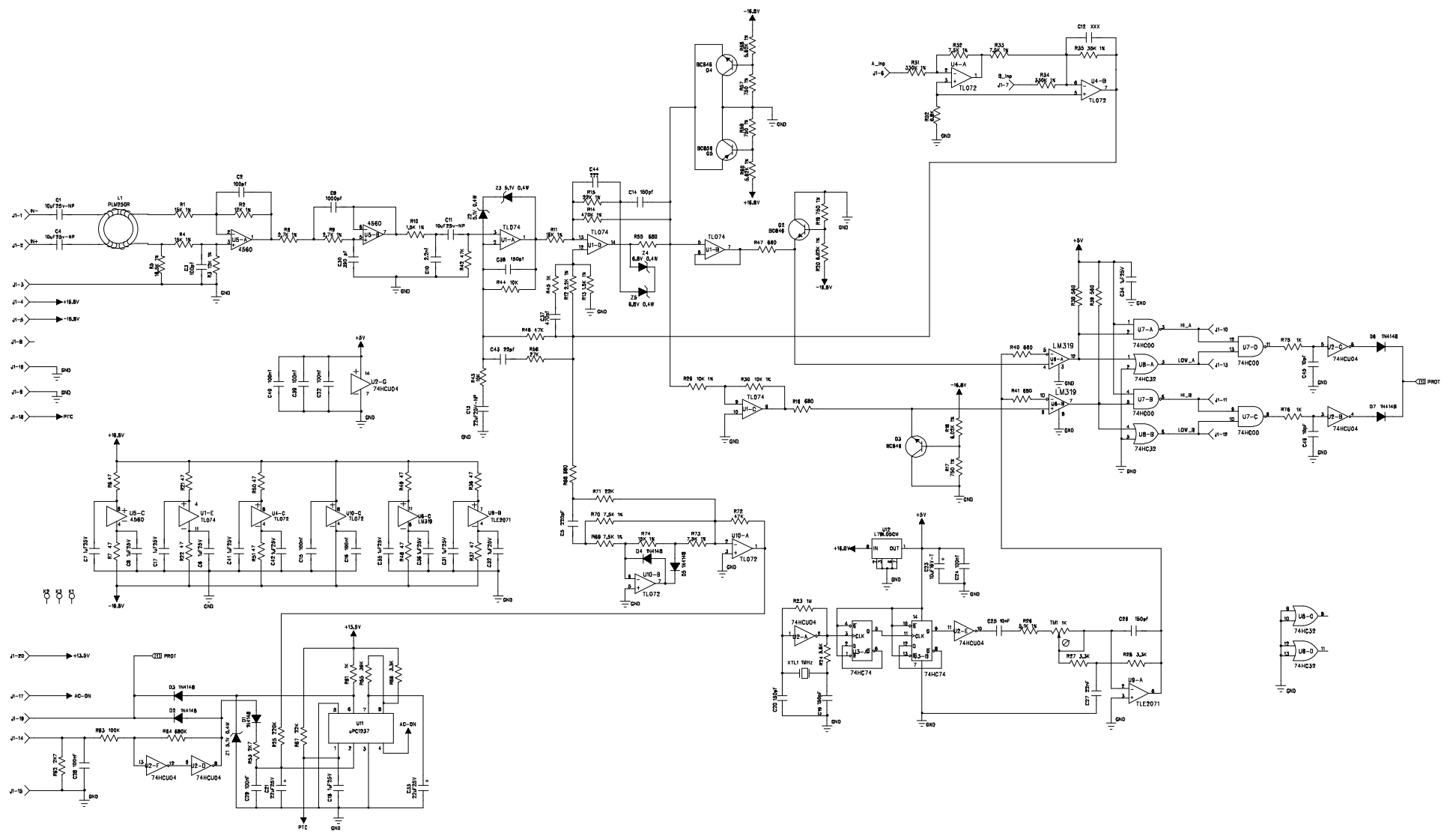
REVISION N.1	DATE: 28-10-99	COMPANY:	
REVISION N.2	DATE: 06-04-2000	F.B.T. Electronica Spa	
REVISION N.3	DATE:	TITLE:	PCB Name:
REVISION N.4	DATE:	MAXX 4a	MAX-pu-T
REVISION N.5	DATE:	(2prod)	(Cod:PID270001-01)
REVISION N.6	DATE:	CODE:	DRAWING NO: 274-99
		S10265001-01	

schema con collegamenti sotto cs

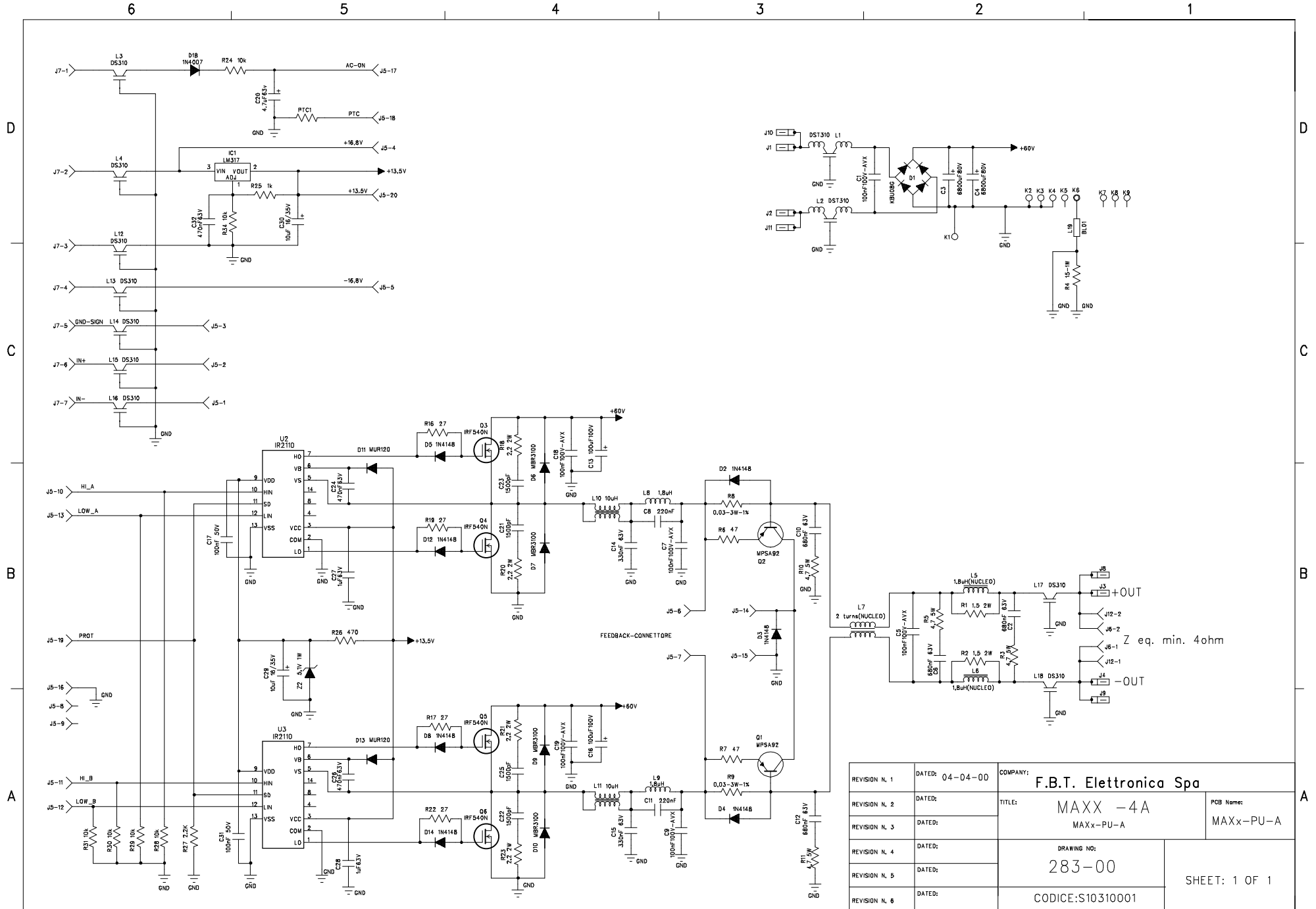
REVISION RECORD			
LTR	ECO NO.	APPROVED	DATE

D  
C  
B  
A

D  
C  
B  
A



COMPANY:		F.B.T. Elettronica S.p.a.	
TITLE:		MAXX-4A MAXX -PRE	
DRAWN:	DATE:	PCB NAME:	DRAWING NO.:
CHECKED:	DATE:	MAXX-PRE	298-03
QUALITY CONTROL:	DATE:	CODICE:	SHEET: 1 OF 1
RELEASED:	DATE:		



REVISION N. 1	DATED: 04-04-00	COMPANY: F.B.T. Elettronica Spa	
REVISION N. 2	DATED:	TITLE: MAXX - 4A MAXX-PU-A	PCB Name: MAXX-PU-A
REVISION N. 3	DATED:	DRAWING NO: 283-00	SHEET: 1 OF 1
REVISION N. 4	DATED:	CODICE: S10310001	
REVISION N. 5	DATED:		
REVISION N. 6	DATED:		

Z eq. min. 4ohm