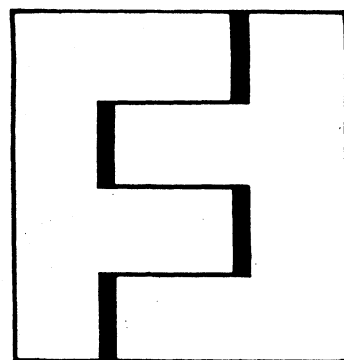


FARFISA



ELECTRONIC ORGAN

VIP 345

schematic diagram



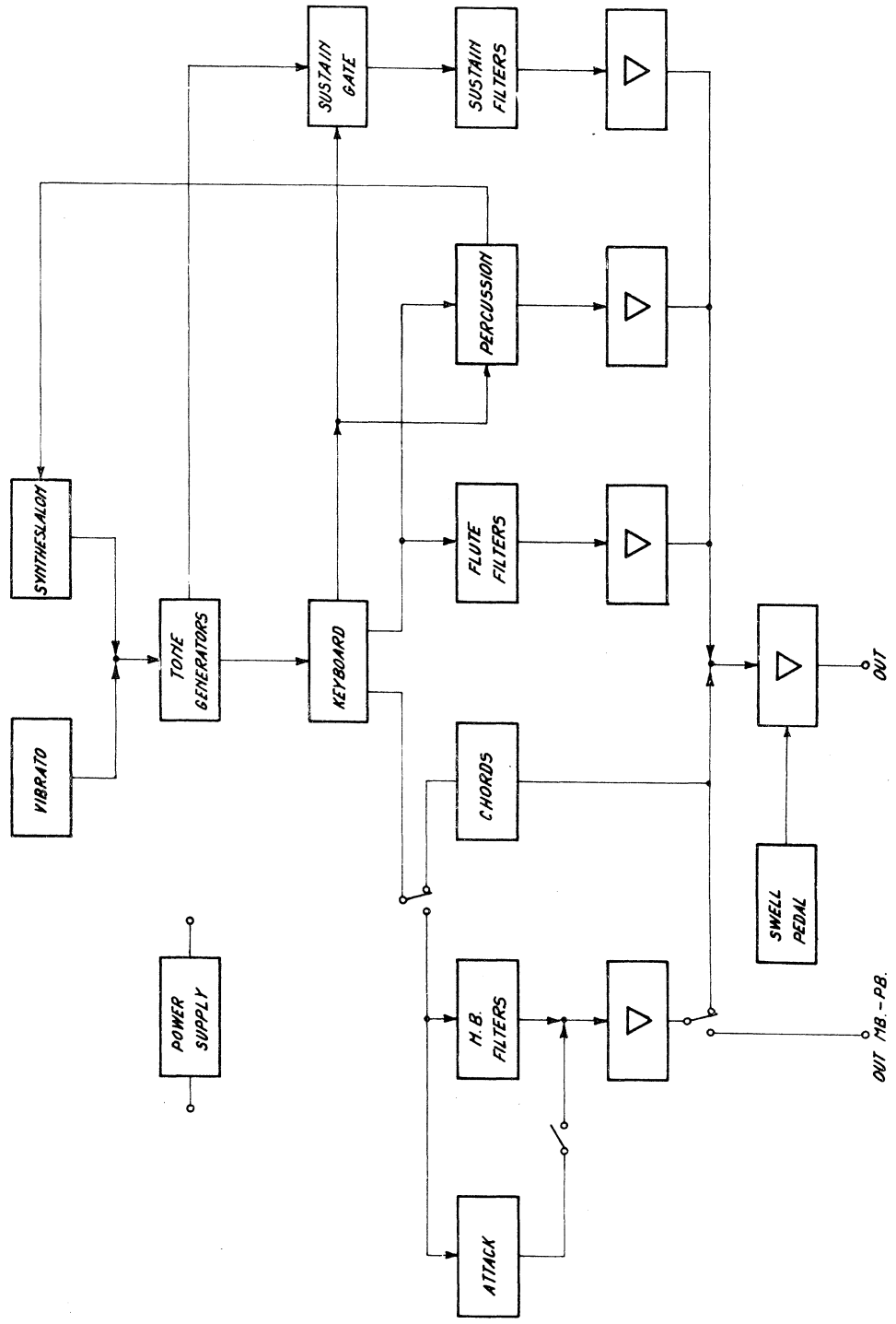
IMPORTANT: IN ANY CORRESPONDANCE CONCERNING THIS INSTRUMENT
ALWAYS INCLUDE MODEL AND SERIAL NUMBERS!

PARTS ORDERING - When ordering parts be sure to include the following
information:

1. Model and serial Number of instrument.
2. Part Code
3. A description of the Part.
4. Specify how you want the part shipped.

FARFISA COMPANY - WHOSE POLICY IS
CONSTANTLY DIRECTED TO IMPROVEMENTS
AND NEW DEVELOPMENTS - RESERVES THE
RIGHT TO CHANGE SPECIFICATIONS, DESIGNS,
PRICES, MODELS AND TO DISCONTINUE
MODELS WITHOUT NOTICE AND LIABILITY.

BLOCK DIAGRAM



NOTES: 1) All resistors 1/8 W unless otherwise indicated.
 2) All resistors shown in OFF position.
 3) All key units in OFF position.
 4) See parts list for component part numbers.

MOD. V/P 345	SERIAL NO.	
CODE JE-150	REVISION	
	DATE	15-2-72

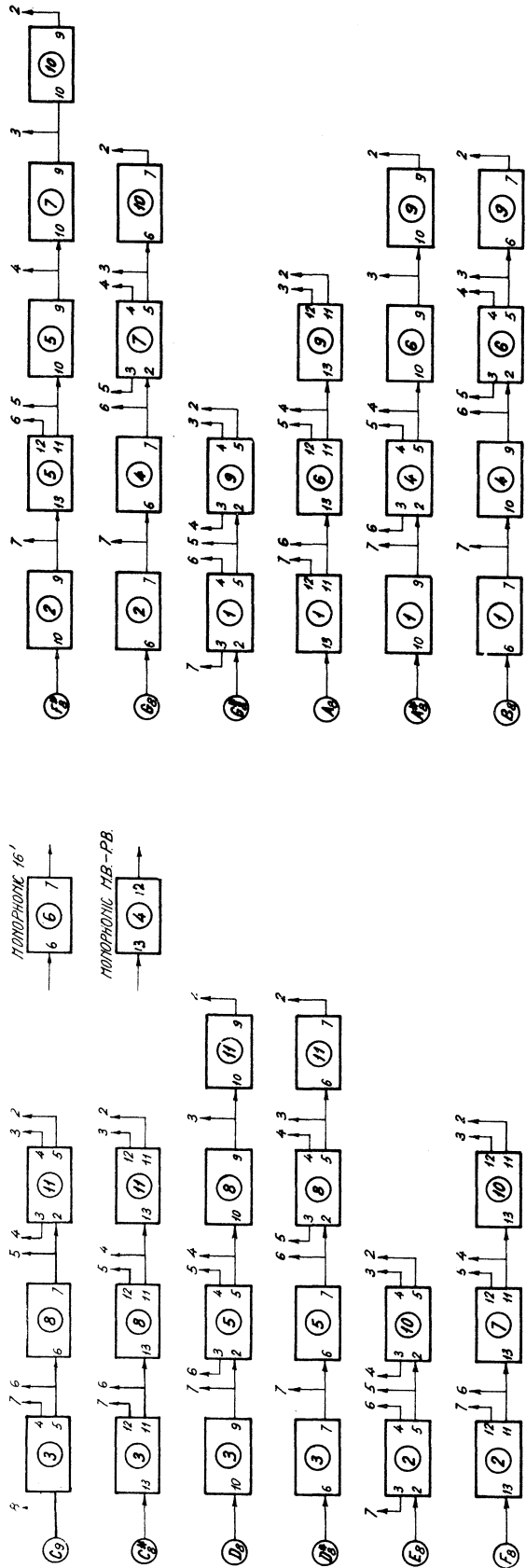


Fig. 2

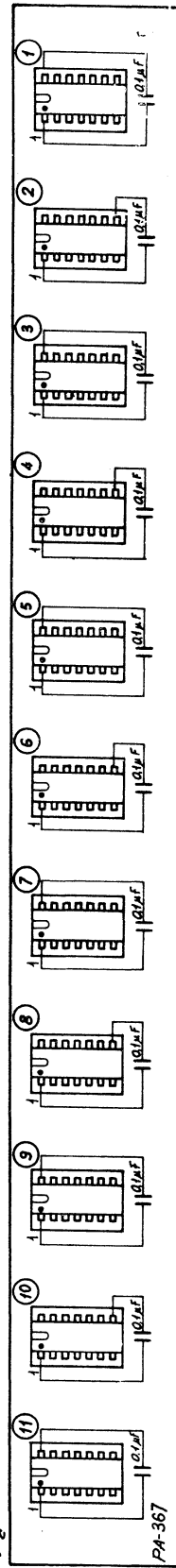
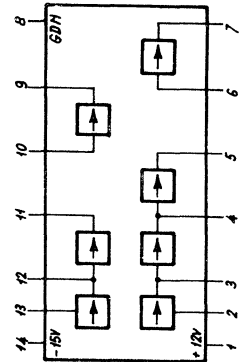


Fig. 1

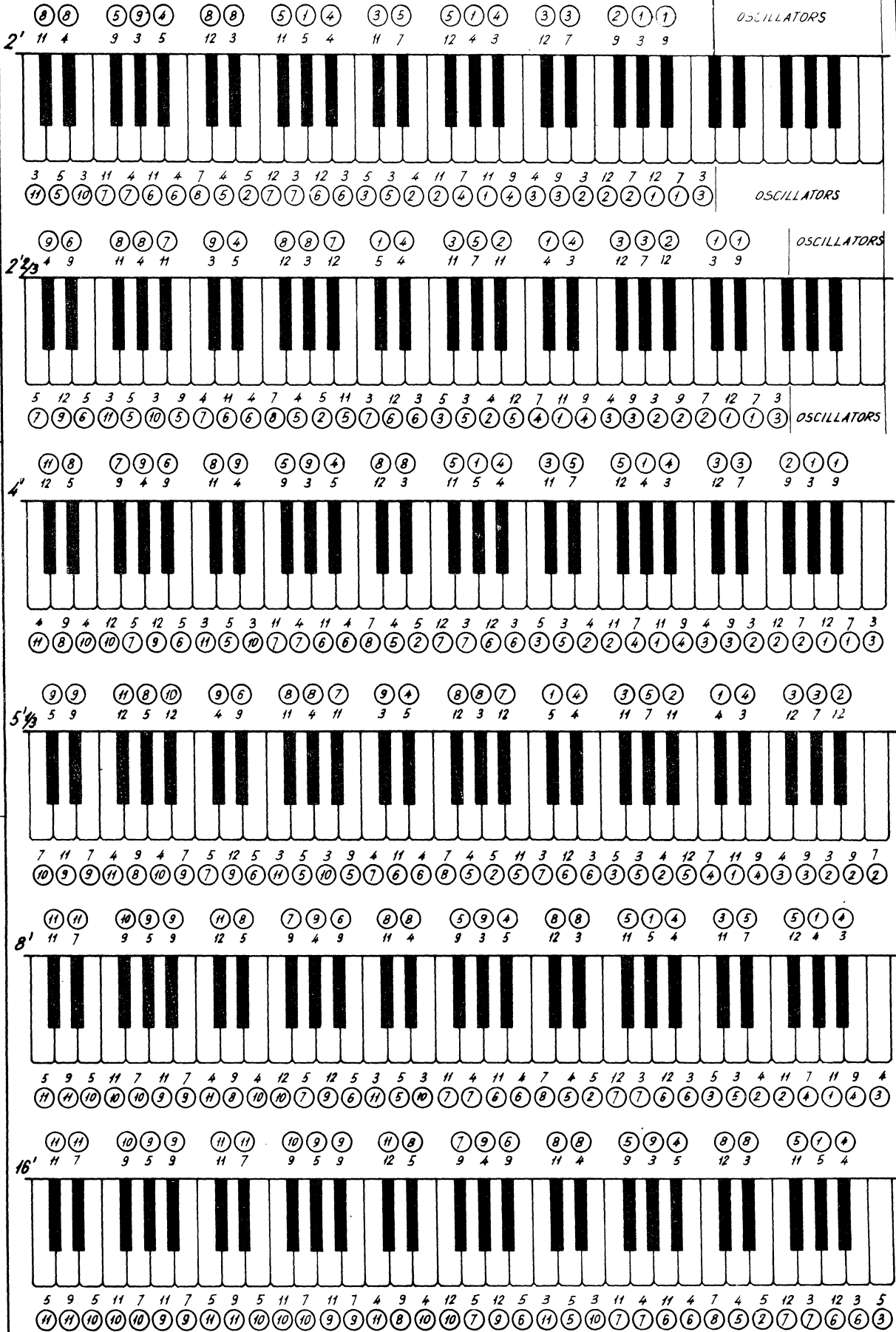
- NOTES:
- 1) THE TONE GENERATOR OF THE KEYBOARD NOTES ARE INDICATED WITH TWO NUMBERS. THE CIRCLED NUMBER THAT APPEARS ALSO ON THE PRINTED CIRCUIT BOARD PA-367 INDICATES THE INTEGRATED CIRCUIT. THE SECOND NUMBER INDICATES THE INTEGRATED CIRCUIT PIN. ASSEMBLY OF THE I.C.'S SHOULD BE MADE AS SHOWN IN FIGURES 1 AND 2.



NOTES: 1) All resistors 1/8 W unless otherwise indicated.
 2) All transistors shown in OFF position.
 3) All capacitors shown in OFF position.
 4) See parts list for component part numbers.

NO. 11P 345	REV. No	
DATE	REVISION	
CODE	DATE	
JE-150	1-5-2-72	

REFERENCE TABLE KEY TO GENERATOR BOARD



MOD. VIP 345

SERIAL NO. _____

DATE 10-2-72

REVISION _____

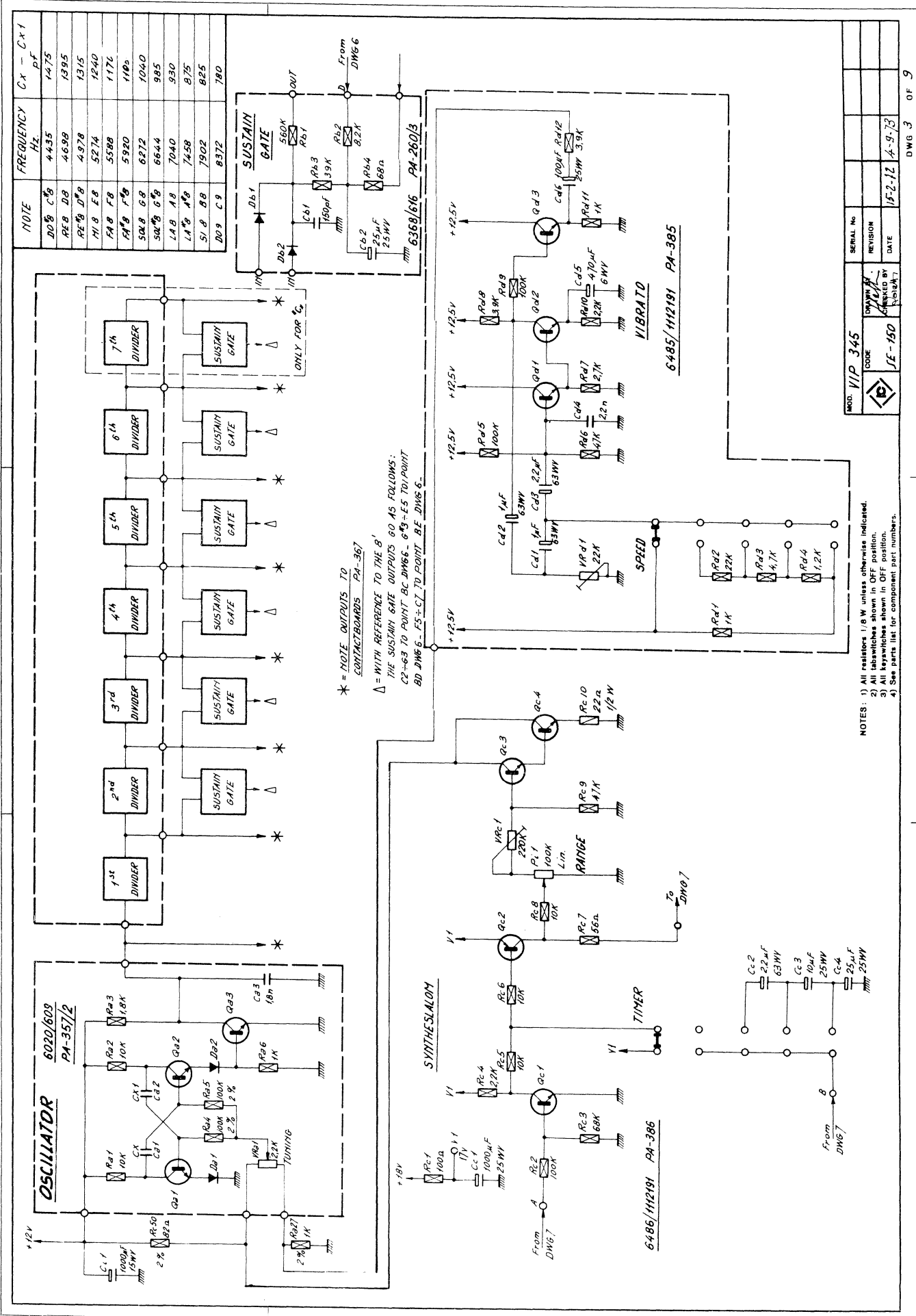
DESIGNED BY _____

CHECKED BY _____

DATE _____

CODE SE-150

NOTES: 1) All resistors 1/8 W unless otherwise indicated.
 2) All subscripts shown in OFF position.
 3) All keyswitches shown in OFF position.
 4) See parts list for component part numbers.

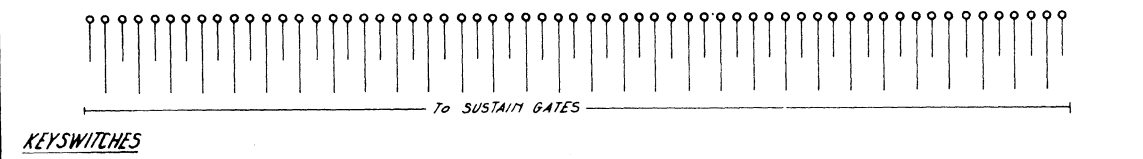
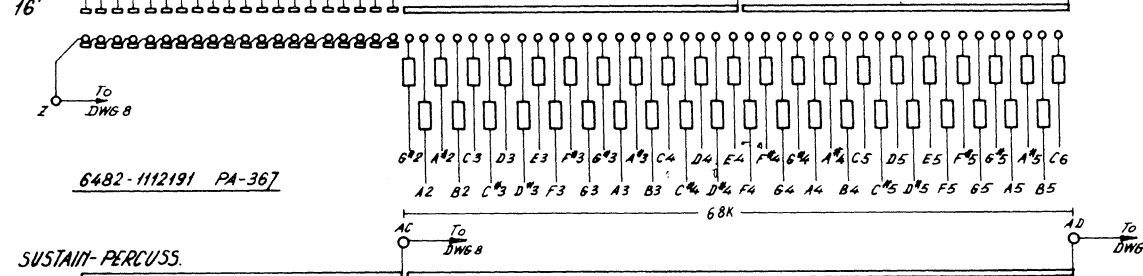
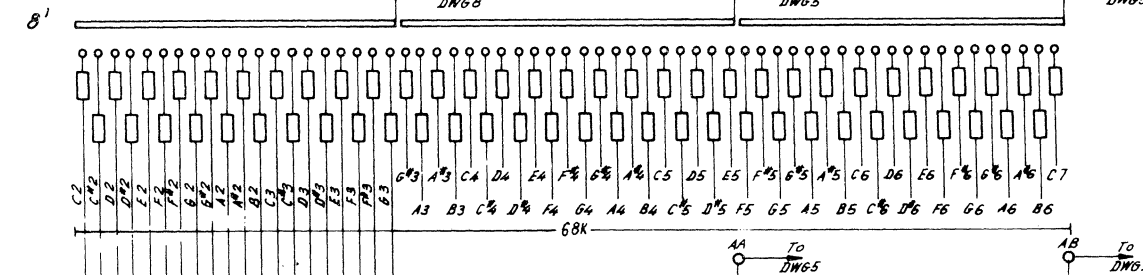
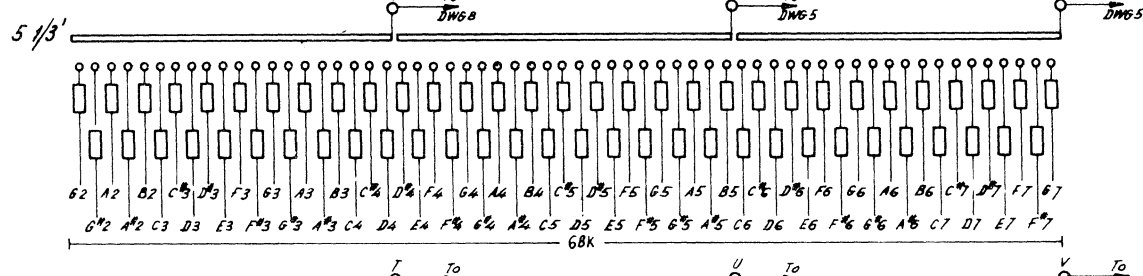
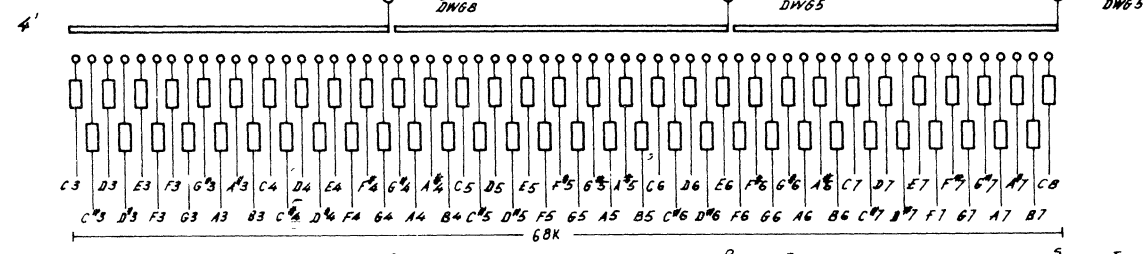
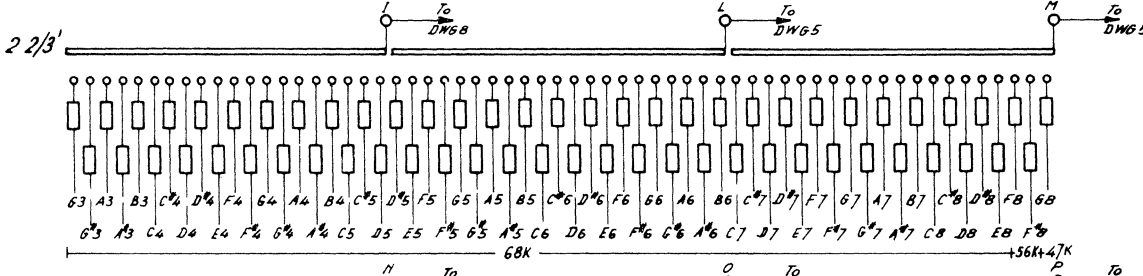
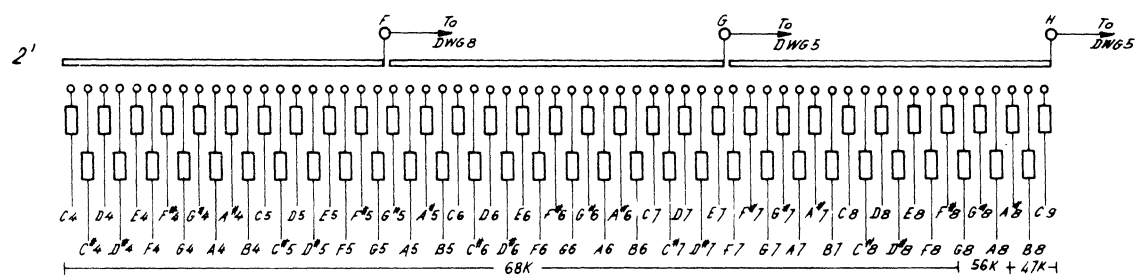


NOTE	FREQUENCY Hz	Cx - Cx1 pF
D0 ⁵ C ¹⁰	4435	1475
RE ⁸ D ⁸	4699	1395
RE ¹⁰ D ¹⁰	4978	1315
HI ⁸ E ⁸	5274	1240
FA ⁸ F ⁸	5588	1170
FA ⁹ F ⁹	5920	1100
SO ⁸ G ⁸	6272	1040
SO ⁹ G ⁹	6644	985
LA ⁸ A ⁸	7040	930
LA ⁹ A ⁹	7458	875
SI ⁸ B ⁸	7902	825
D0 ⁹ C ⁹	8372	780

* = NOTE OUTPUTS TO CONTRACT BOARD PA-367
 Δ = WITH REFERENCE TO THE 8'
 THE SUSTAIN GATE OUTPUTS GO AS FOLLOWS:
 C2-63 TO POINT BC D1W6-6, G⁹-E5 TO POINT
 BD D1W6-6, F5-C7 TO POINT BE D1W6-6.

- NOTES: 1) All resistors 1/8 W unless otherwise indicated.
 2) All capacitors shown in OFF position.
 3) All keyswitches shown in OFF position.
 4) See parts list for component part numbers.

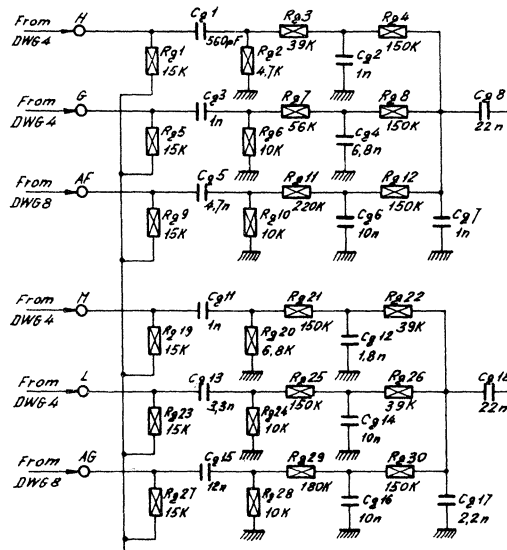
MOD. VIP 345
 CODE JF-150
 SERIAL NO. _____
 REVISION _____
 DATE 1F-2-12 4-9-73
 DWG. 3 OF 3



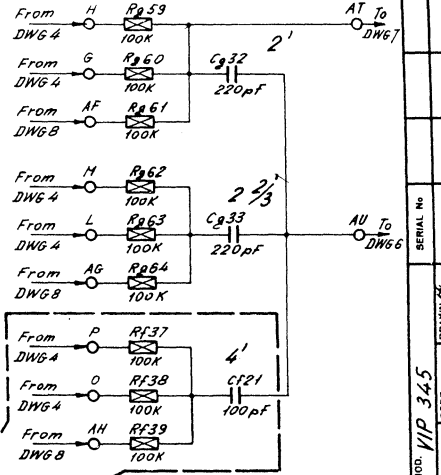
MOD: 11P 345	SERIAL No	REVISION
CODE	DATE	15-2-72
DESIGNED BY	CHECKED BY	APPROVED BY
1F-150	10/1/71	

- NOTES: 1) All resistors 1/8 W unless otherwise indicated.
 2) All subwatches shown in OFF position.
 3) All keyswitches shown in OFF position.
 4) See parts list for component part numbers.

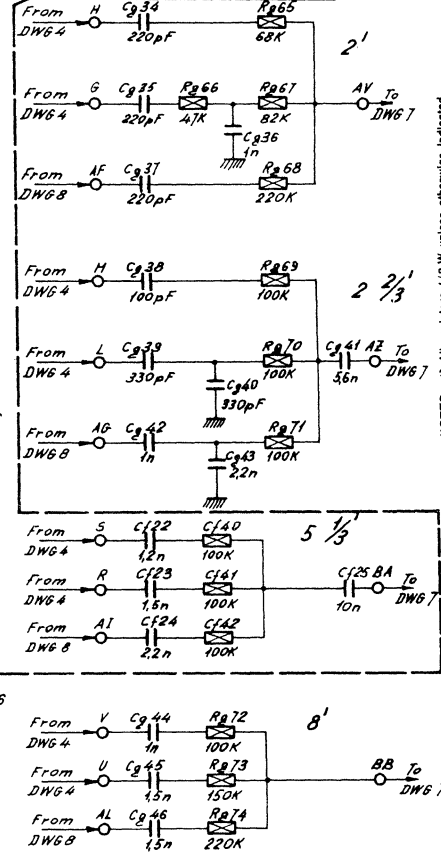
FLUTE PREFILTERS



MIXTURE PREFILTERS



PERCUSSION PREFILTERS



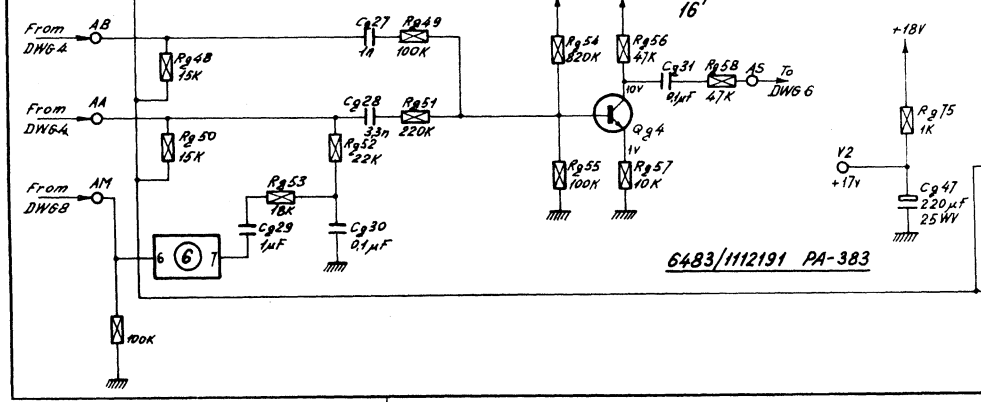
6484/1112191 PA-384

6483/1112191 PA-383

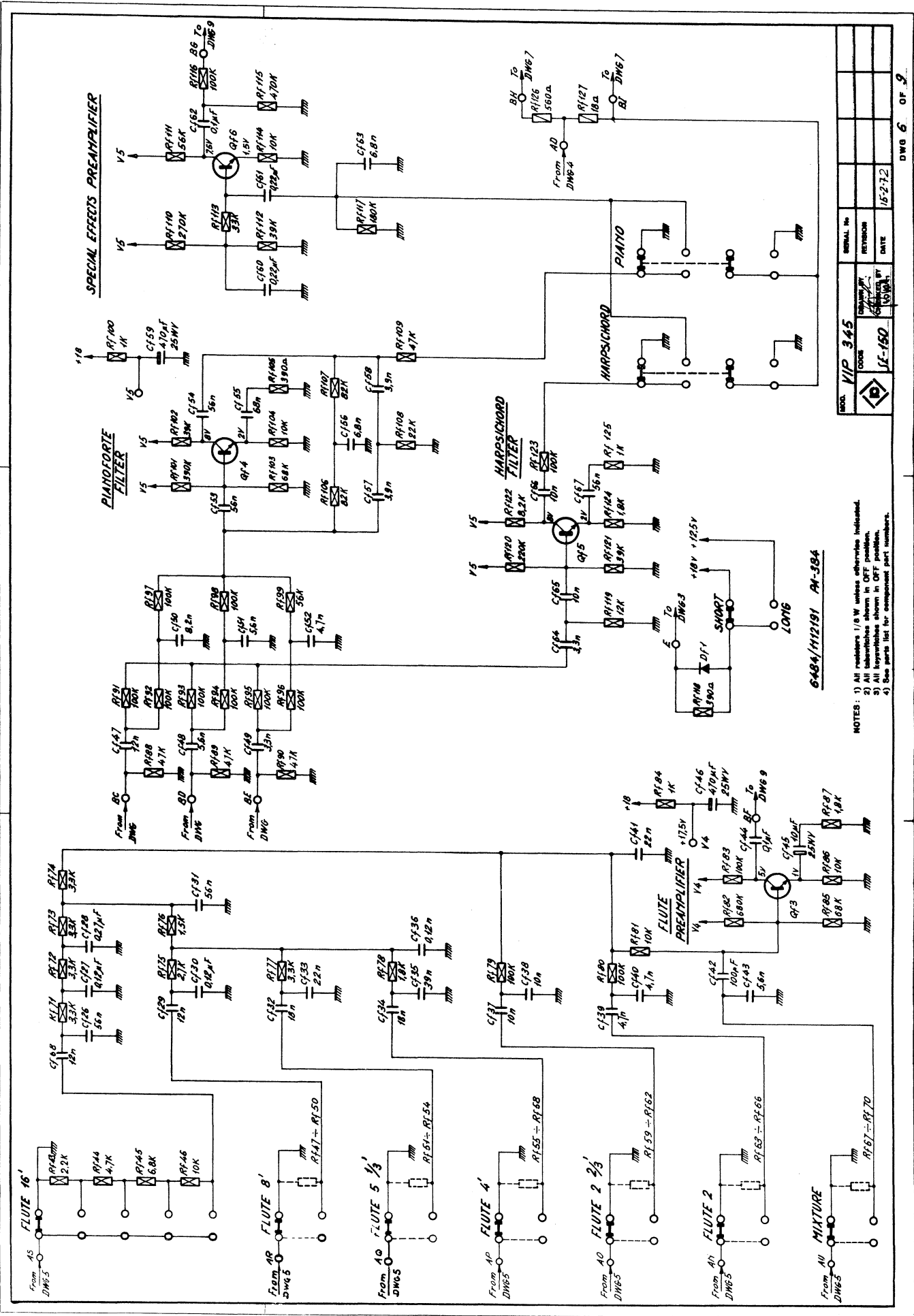
6486/1112191 PA-386

NO. 11P 345	SERIAL NO.	REVISION	DATE
DRAWN BY	DESIGNED BY	DATE	15-2-72
CODE	15-150		

- NOTES: 1) All resistors 1/8 W unless otherwise indicated.
 2) All keyswitches shown in OFF position.
 3) All keyswitches shown in OFF position.
 4) See parts list for component part numbers.



V3
-6V



SPECIAL EFFECTS PRE-AMPLIFIER

PIANOFORTE FILTER

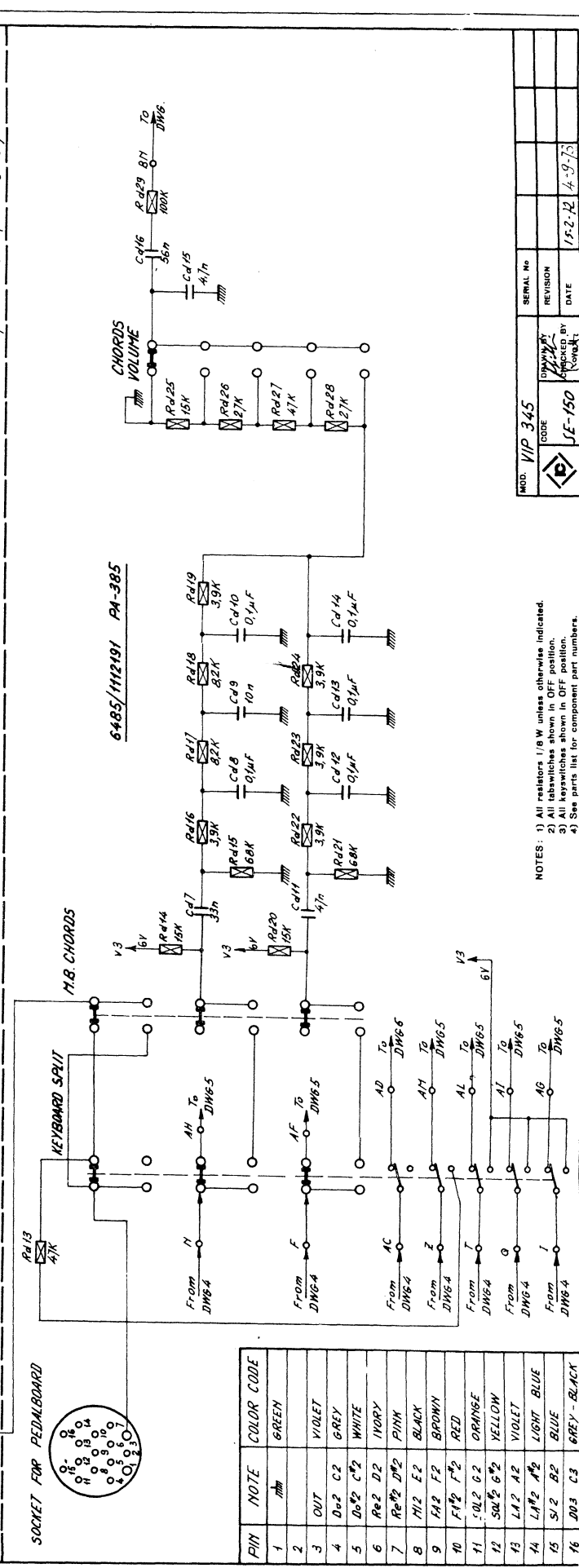
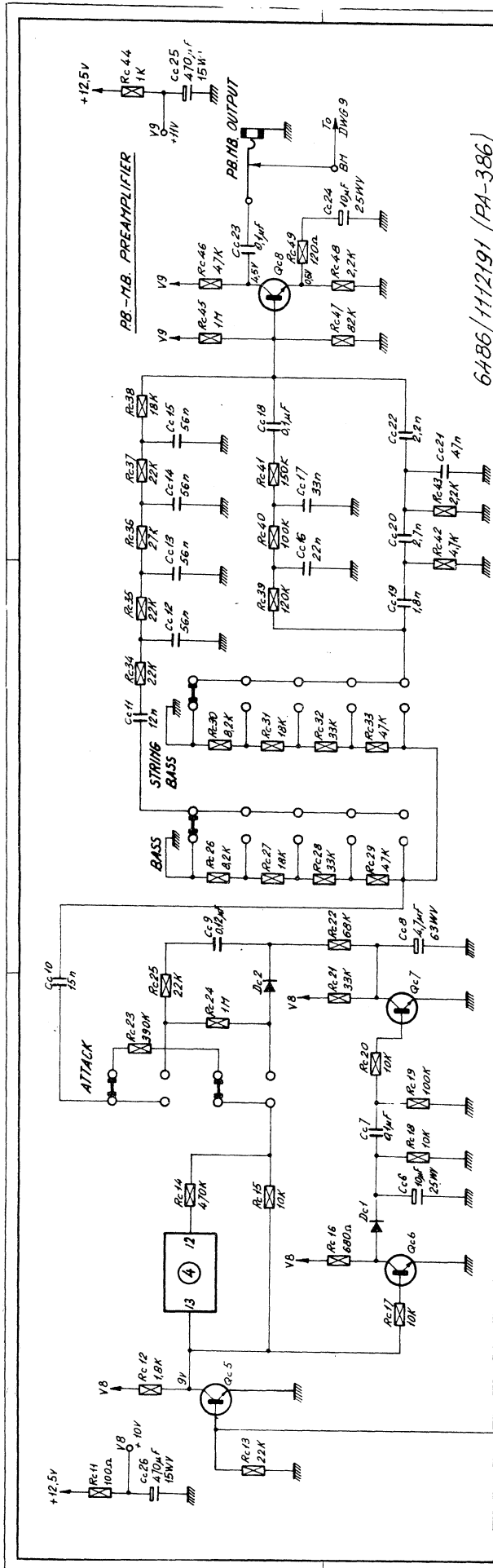
HARPSICHORD FILTER

FLUTE PRE-AMPLIFIER

6484/112191 PA-384

- NOTES: 1) All resistors 1/8 W unless otherwise indicated.
 2) All laboratories shown in OFF position.
 3) All keyswitches shown in OFF position.
 4) See parts list for component part numbers.

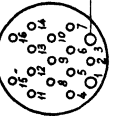
MOD. V.I.P. 345	DESIGNED BY	REVISION
DATE	1/5-72	
DATE	1/5-72	



6486/1112191/PA-386

6485/1112191 PA-385

SOCKET FOR PEDALBOARD

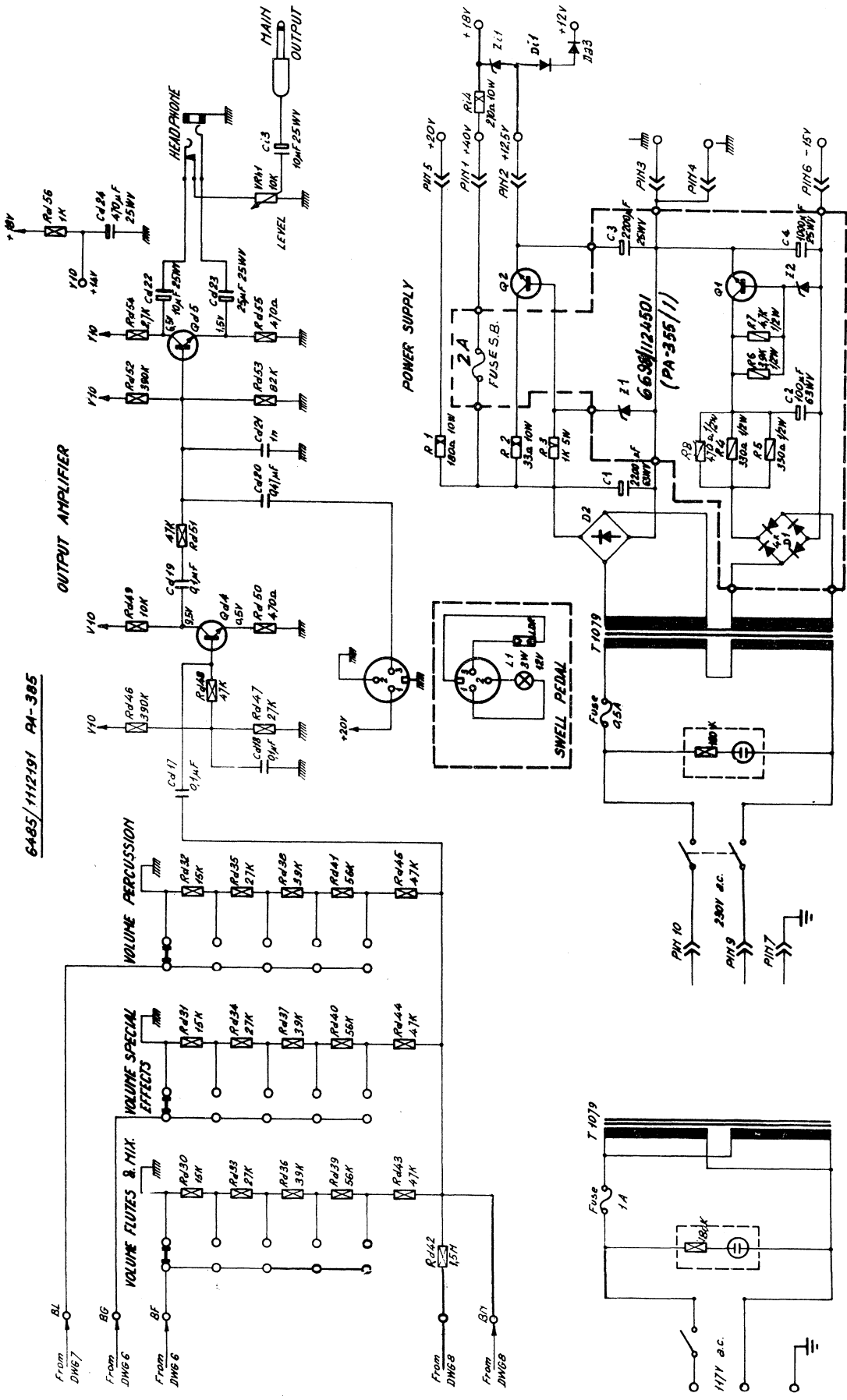


PIN	NOTE	COLOR CODE
1		GREEN
2		VIOLET
3	OUT	GREY
4	D ₀ 2 C ₂	WHITE
5	D ₀ 2 C ₂	IVORY
6	R ₀ 2 D ₂	PINK
7	R ₀ 2 D ₂	BLACK
8	H ₁ 2 E ₂	BROWN
9	F ₁ 2 F ₂	RED
10	F ₁ 2 F ₂	ORANGE
11	S ₀ 2 G ₂	YELLOW
12	S ₀ 2 G ₂	VIOLET
13	L ₁ 2 A ₂	LIGHT BLUE
14	L ₁ 2 A ₂	BLUE
15	S ₁ 2 B ₂	BLUE
16	D ₀ 3 C ₃	GREY - BLACK

NOTES: 1) All resistors 1/8W unless otherwise indicated.
 2) All tabswitches shown in OFF position.
 3) All keyswitches shown in OFF position.
 4) See parts list for component part numbers.

MOD. V1P 345	SERIAL NO.	DATE
CODE JE-150	REVISION	15-2-12
APPROVED BY	APPROVED BY	14-9-75
DESIGNED BY	DESIGNED BY	

6-485/1112191 PA-385



OUTPUT AMPLIFIER

POWER SUPPLY

SWELL PEDAL

- NOTES: 1) All resistors 1/8 W unless otherwise indicated.
 2) All electrolytic capacitors in GFT position.
 3) All electrolytic capacitors in GFT position.
 4) Shop parts list for component part numbers.

MOD. VIP 345	DATE	REVISION	SERIAL No.
JE-150	15-2-22	1-3-72	921
4-9-73	15-7-74		

Schem.Ref.	Circuit	Type	Part Code
<u>PA 357-2</u>	<u>OSCILLATOR (DWG 3/SE 150)</u>		<u>6020/609</u>
Q a 1	MVBTR. Master Oscillator.....	BC 207 B or C.....	W/1401
Q a 2	MVBTR. Master Oscillator.....	G.E. 2N 5172.....	W/1425
Q a 3	Buffer Amplifier.....	BC 109 B or C.....	W/1412 - W/1409
		BC 209 B or C.....	W/1407 - W/141C
Da1 - Da2	Base Breakdown Protection....	SGS IX 9809.....	B/1000
		TEXAS D 525 A or B.....	B/1001
D a 3	Threshold.....	IRCI 10D1-10D2.....	B/1100
		IRCI 10D4- 5D1.....	B/1101
		PAE R/6.....	B/1102
<u>PA 260-3</u>	<u>SUSTAIN MODULE (DWG 3/SE 150)</u>		<u>6368/616</u>
D b 1	Sustain gate.....	SGS IX 9809.....	B/1000
D b 2	Sustain gate.....	TEXAS D 525 A or B.....	B/1001
<u>PA 386</u>	<u>SYNTHESLALOM M.B (DWG 3-8/SE 150)</u>		<u>6486/1112191</u>
Q c 1	Buffer.....	G.E. 2N 5172.....	W/1425
Q c 5	Buffer.....		
Q c 6	Attack control.....		
Q c 7	Attack control.....		
Q c 2	Control.....	FAIRCHILD BC 154.....	W/1500
Q c 3	Driver.....	BC 109 B - BC 209 B.....	W/1409 - W/140'
Q c 8	M.B Preamplifier.....		
Q c 4	Driver.....	BC 286.....	W/1601
D c 1	Diode.....	TEXAS D 525 A or B.....	B/1000 - B/100
D c 2	Gate.....		
<u>PA 385</u>	<u>CHORDS-VIBRATO-OUTPUT AMPLIFIER (DWG 3-8-9/SE 150)</u>		<u>6485/1112191</u>
Q d 1	Vibrato Oscillator.....	G.E. 2N 5172.....	W/1425
Q d 2			
Q d 3	Vibrato Driver.....	BC 109 B - BC 209 B.....	W/1409 - W/140'
Q d 5			
Q d 4	Amplifier.....	BC 109 B, red dot.....	W/1415
	Amplifier.....	BC 209 B, red dot.....	W/1413

Schem.Ref.	Circuit	Type	Part Code
<u>PA 384</u>	<u>FLUTE FILTERS & SPECIAL EFFECTS FILTERS (DWG 5-6/SE 150)</u>		<u>6484/1112191</u>
Q f 1	Preamplifier.....	} BC 109 - B.....	W/1409
Q f 2	Preamplifier.....		
Q f 4	Pianoforte Filter.....		
Q f 5	Harpsichord Filter.....		
Q f 3	Flute Preamplifier.....	} BC 109-B, red dot.....	W/1415
Q f 6	Special Effects Preamplifier..		
D f 1	Diode.....	TEXAS D 525 A or B.....	B/1000 - B/100
		SGS IX 9808.....	
<u>PA 383</u>	<u>PERCUSSION FILTERS & REPEAT (DWG 5-7/SE 150)</u>		<u>6483/1112191</u>
Qg1-Qg4	Preamplifier.....	} BC 109 - B.....	W/1409
Q g 8	Amplifier.....		
Q g 13	Keyer.....		
Q g 5	Percussion Preamplifier.....	} BC 109-B, red dot.....	W/1415
Q g 6	Percussion Preamplifier.....		
Q g 7	Buffer.....		
Q g 9	Phrasing Driver.....		
Q g 10	Pulse Driver.....	G.E. 2N 5172.....	W/1425
Q g 11	Percussion Multivibrator.....		
Q g 12	Percussion Multivibrator.....		
D g 1	Diode.....	SGS IX 9809.....	B/1000
		TEXAS D 525 A or B.....	B/1001
D g 2	Diode.....	IRCI 10D1 - 10D4.....	B/1100
		IRCI 10D2.....	B/1101
<u>CHASSIS</u>	<u>POWER SUPPLY CHASSIS (DWG 9/SE 150)</u>		<u>8000/1124501</u>
Q 2	Series Stabilizer.....	WESTINGHOUSE 156-043...	W/1800
		SOLITRON H 9340.....	
D 2	Rectifier Bridge.....	ITT B 40-C 2200.....	B/1201
		SIEMENS B 40-C 2200....	
		AEG B 40-C 2200.....	
		SEMIKRON B 40-C 2200...	

Schem. Ref.	Circuit	Type	Part Code
<u>PA 355-1</u>	<u>VOLTAGE REGULATOR BOARD (DWG 9/SE 150)</u>		<u>6698/1124501</u>
Q 1	Series Stabilizer.....	SGS BC 286 (ex BC 142)...	W/1601
		MISTRAL SFD 182.....	
D 1	Rectifier Diode (Bridge).....	TEXAS IN 914.....	B/1002
		ITT-FAIRCHILD-PHILIPS-	
		MULLARD.....	
Z 1	Voltage Reference-Diode Zener (13V-1W-5%)	IR 1 Z 13 T5.....	B/1418 - B/150
		IR MOTOROLA 1N 4743 - A..	
		ITT 1 Z 13.....	
Z 2	Voltage Reference-Diode Zener (15V-400mW-5%)	ITT ZPD 15.....	B/1319
		MOTOROLA 1N 5245-B.....	
		MISTRAL B2 X 46-C 15.....	
<u>TERMINAL STRIP (inside device) - (DWG 9/SE 150)</u>			
D i 1	Threshold.....	IR 10D1-10D2.....	B/1100
		IR 10D4-1N 4004.....	B/1101
		PAE R-6.....	B/1102
Z i 1	Zener Diode + 12V Drop..... (6,2V-1W-5%)	IR MOTOROLA 1N 4735-A....	B/1410
		ITT ZY 6,2.....	
<u>PA 367</u>	<u>KEYSWITCH BOARD (DWG 4/SE 150)</u>		<u>6482/1112191</u>
I.C.1 ÷ 11	Integrated Frequency Divider	W/1100 - W/110

FARFISA P. O. BOX 204 - ANCONA (ITALY)

 FARFISA S.p.A.
IS A SUBSIDIARY
OF LEAR SIEGLER, Inc. 