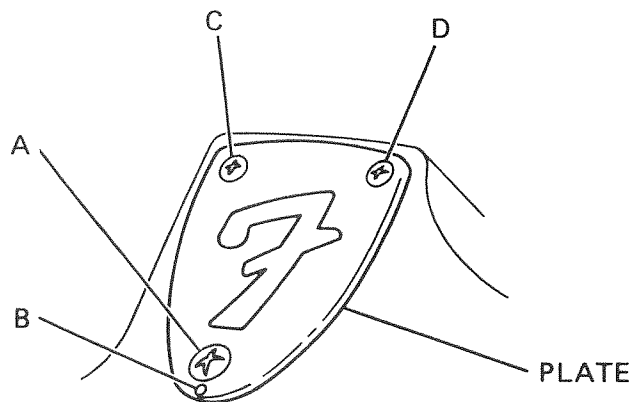
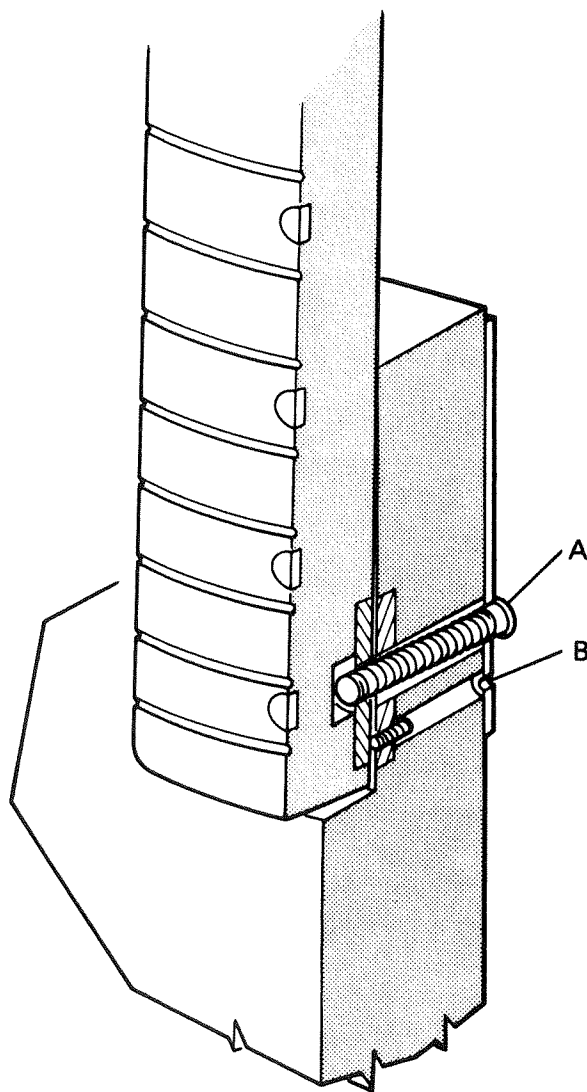


Micro-Tilt neck adjustment

This feature makes it easy to adjust the alignment of the neck and body. There is no need for any disassembly, shims, or even loosening of the strings.

To adjust neck angle, loosen lock screw "A" two full turns. Screws "C" and "D" need not be loosened. Insert 3/32 Allen wrench (furnished with instrument) through hole "B" in neck plate and into set screw in bottom of hole. To increase angle, turn screw clockwise. This will place the strings closer to the fretboard. To decrease the angle, turn screw counterclockwise. When desired adjustment is reached, tighten lock screw "A" and re-check. As tightening the lock screw may alter adjustment slightly, repeat above procedure until desired setting is reached.



(BACK OF GUITAR)