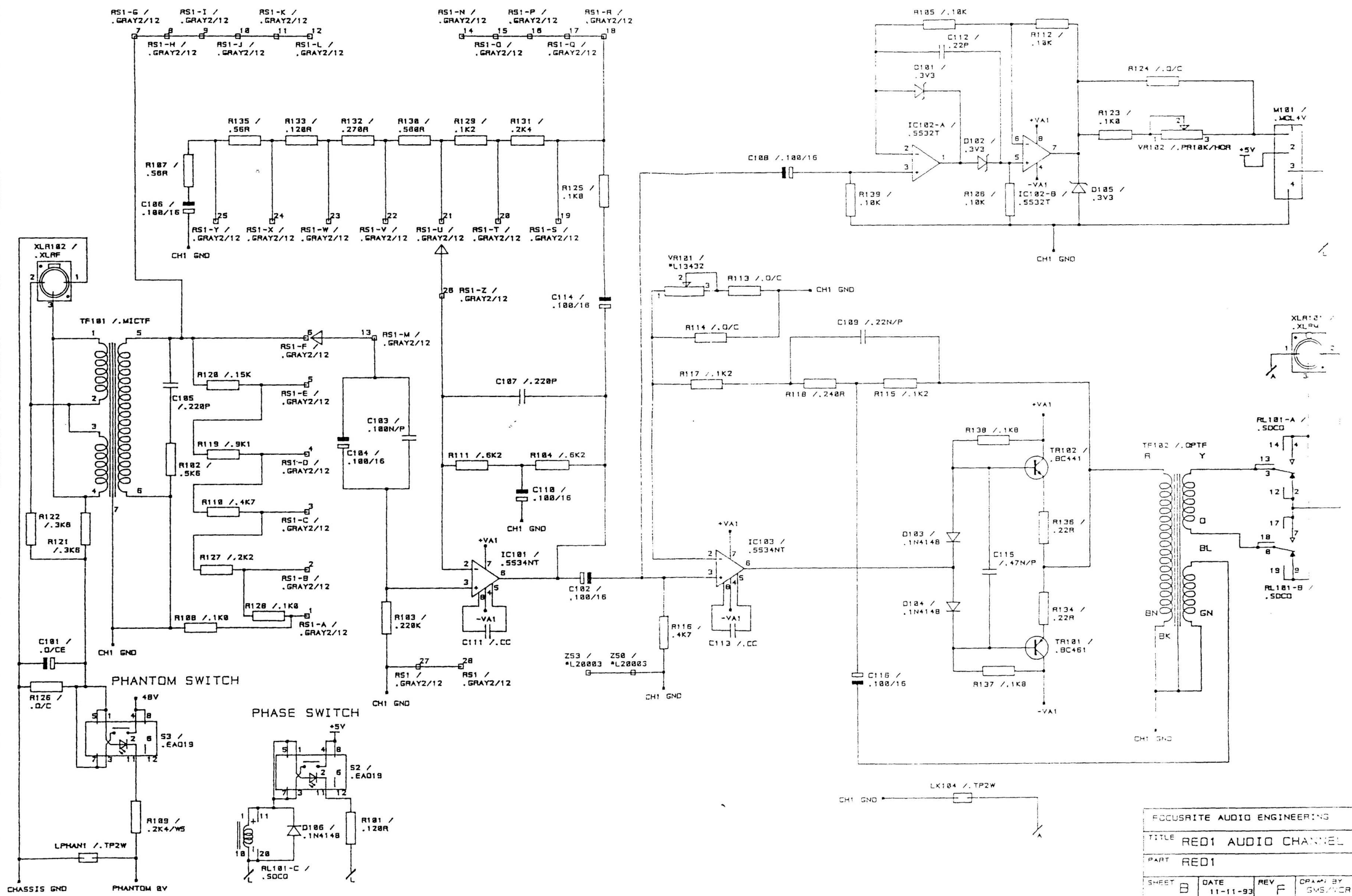
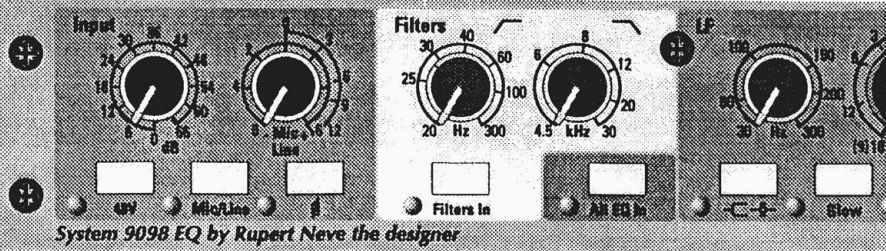


FOCUSRITE AUDIO ENGINEERING			
TITLE RED1 AUDIO CHANNEL			
PART RED1A <i>VERSION 1</i>			
SHEET A	DATE 14.9.92	REV D	DRAWN BY GARY



FOCUSRITE AUDIO ENGINEERING				
TITLE RED1 AUDIO CHANNEL 1				
PART RED1				
SHEET B	DATE 11-11-93	REV F	DRAWN BY GWS/WCR	



All EQ in

When adjusting an equaliser it is good practice to listen to that channel alone and make comparisons between the sound with the equaliser in circuit and the sound without the equaliser.

All EQ in allows all bands of the equaliser to be bypassed. For equalisation to have effect, either or both of the MIDS IN and LF&HF IN switches must also be pressed.

LF section

Bell/shelf

Bell mode produces lift/cut around the selected centre frequency. Below this frequency, the lift/cut diminishes.

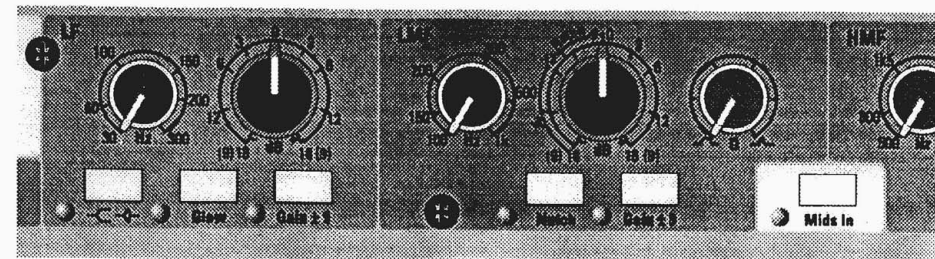
In shelf mode the lift/cut reaches the selected value then continues at the same gain to the lowest frequency limits.

Range

The lift/cut control can give up to +/-18 dB of variation. This is helpful when major tonal changes are needed. The range control provides a finer degree of control by reducing this range to +/-9 dB.

Glow

The normal mode for the equaliser provides steep sided curves allowing powerful tonal changes. Glow changes the curve shape to provide greater or less "warmth", altering the overall sound without changing its character.



LMF section

Q

Defines the bandwidth over which the EQ action is effective. Allows smooth transition from a Q of 0.65 giving a gentle enhancement/depletion, through to a hard resonant sound when Q is increased to 2.

Notch

When notch is selected the LMF section is converted to a band stop filter. This enables a narrow band to be attenuated with minimal affect on the rest of the sound.

The level control operates only over the 'cut' part of its range to give a variable depth. The frequency control allows the centre point to be defined. The Q control changes the width of the notch.

To notch out a particular frequency, set a broad (low) Q, then adjust the frequency control until some attenuation is obtained. Increase the Q and the required attenuation may reduce. Re-adjust the frequency control so that the notch becomes more closely centred on the required frequency. Repeat this until the required effect is achieved.

The notch function is designed to reduce offending background noise 'whistles'. The filter can be overloaded if high level signals at the same frequency as the notch are applied.

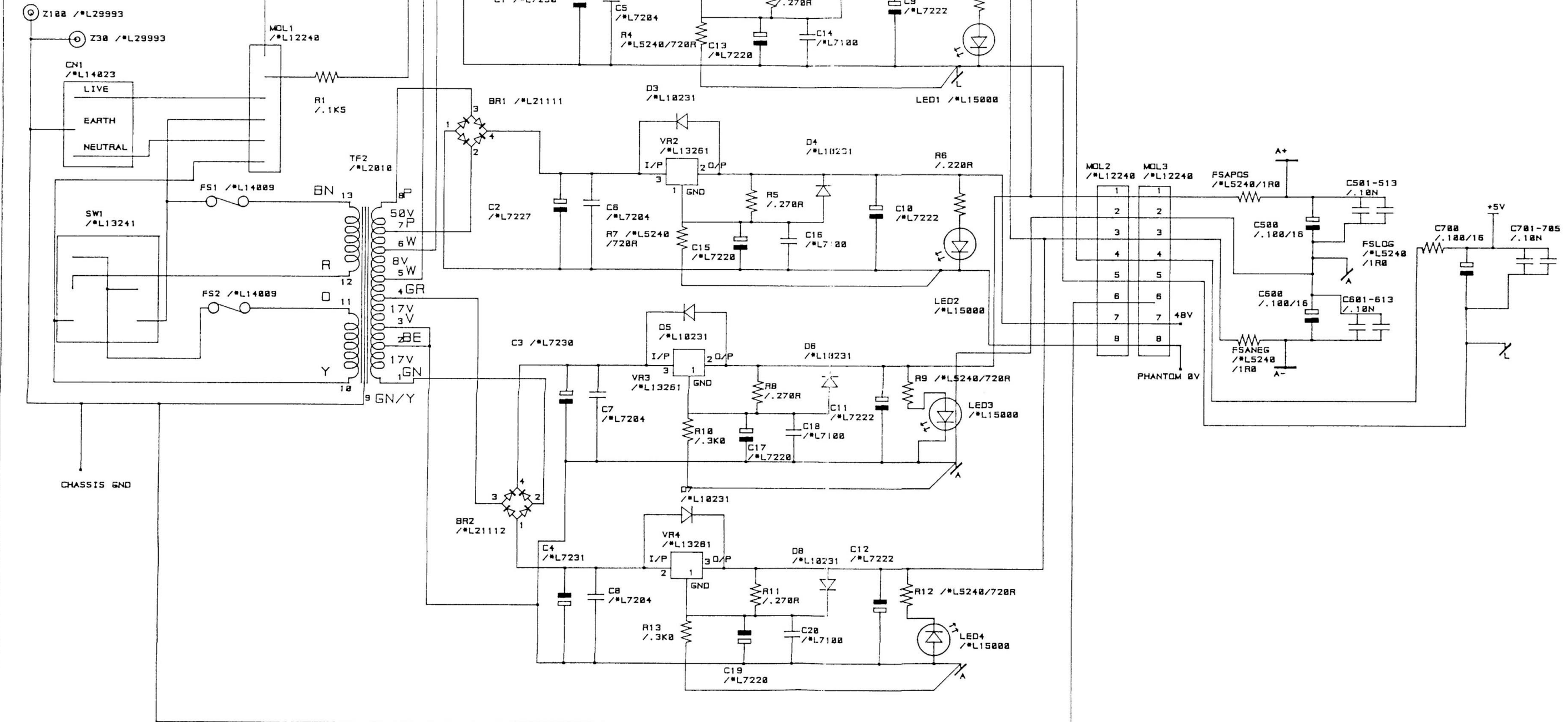
Range

The reduced range of +/-9 dB makes for easier adjustment of subtle equalisation.

Mids in

For either of the mid range sections to be operational, both the 'Mids in' and the 'All EQ in' switches must be selected.

CHASSIS EARTH PAD



FOCUSRITE AUDIO ENGINEERING				
TITLE RED1 POWER DIST.				
PART RED1B VERSION 7				
SHEET B	DATE 14.9.92	REV C	DRAWN BY GARY	