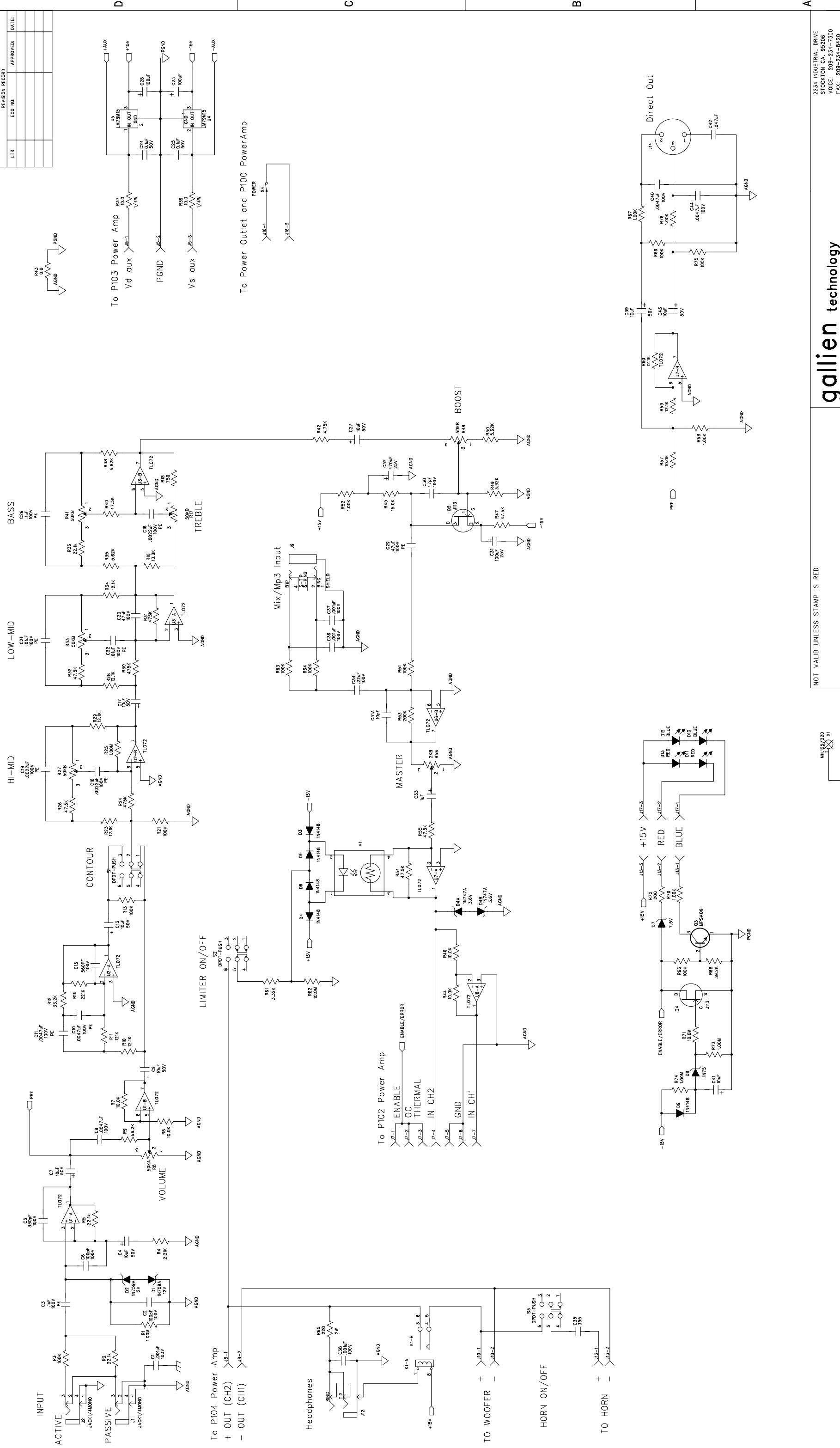
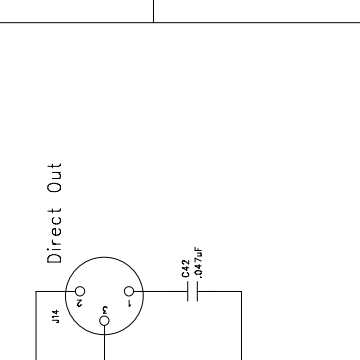
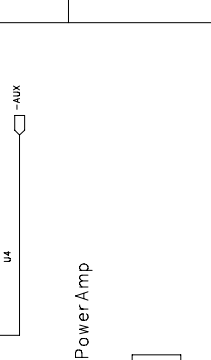
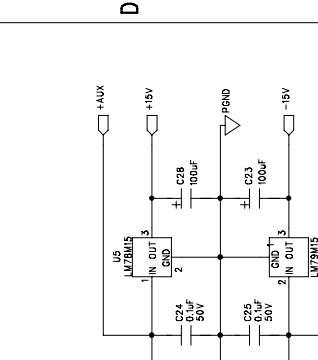


1 2 3 4 5 6



REVISION RECORD	
LTR	DATE



APPROVALS	
INIT	DATE
DESIGNED: R.A.G.	03/09/09
DRAWN: D.O.	03/09/09
ELEC: A7	03/09/09
DATE MODIFIED: 6/24/09	COMPANY: GALLIEN-KRUEGER
D/A:	RELEASED:

**gallien technology**

2234 INDUSTRIAL DRIVE  
 STOCKTON CA, 95206  
 VOICE: 209-234-7300  
 FAX: 209-234-8420

TITLE: MB 115 PREAMP  
 DRAWING NO: 1206-0520-A7  
 PART NO: 206-0520-A7  
 REV: A7

A4: ALL POTS WITH NO BRACKET  
 A6: NEW LIMITER  
 A7: ADDED C31A,D4A,D4B  
 A7: R9,R72 CHANGED

NOT VALID UNLESS STAMP IS RED

