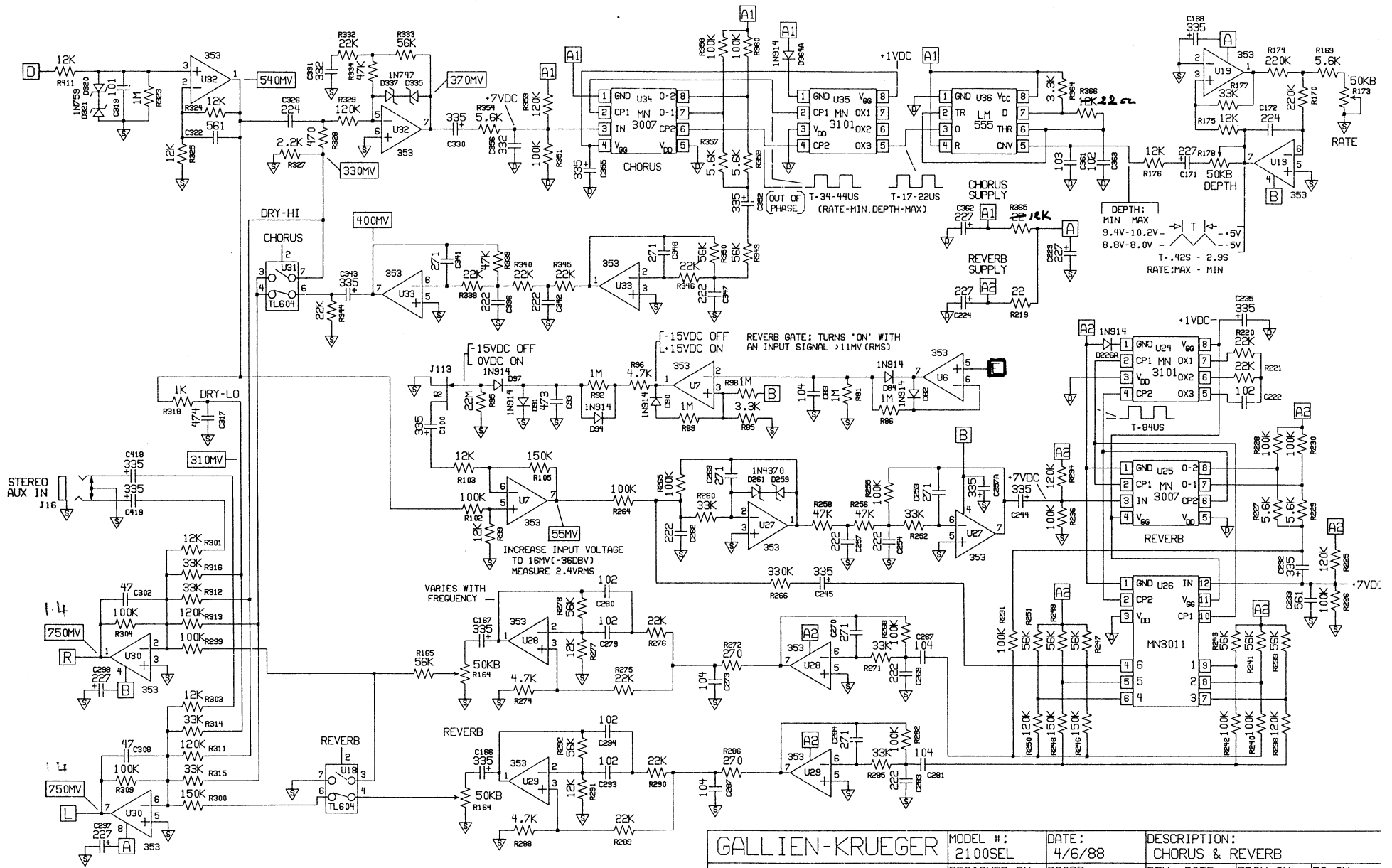


REV#	DATE	FIRST SN	REV#	DATE	FIRST SN	REV#	DATE	FIRST SN	REV#	DATE	FIRST SN

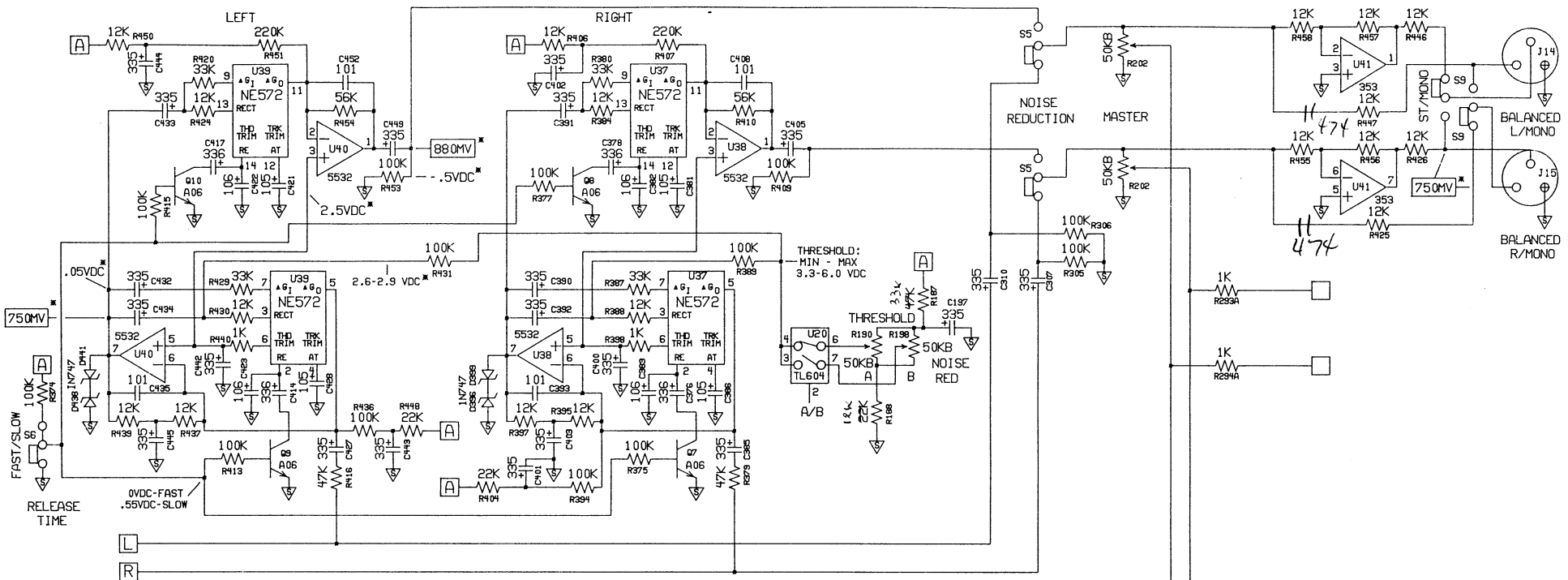
GALLIEN-KRUEGER	MODEL #:	DATE:	DESCRIPTION:
SCHMATIC PG: 1 OF: 5	2100SEL	4/6/88	A&B CHANNELS, POWER SUPPLY
	DESIGNED BY:	BOARD #:	REV#-DATE:
	M.P.J.	60057B	
			FROM SN: TO SN:

3/7/88

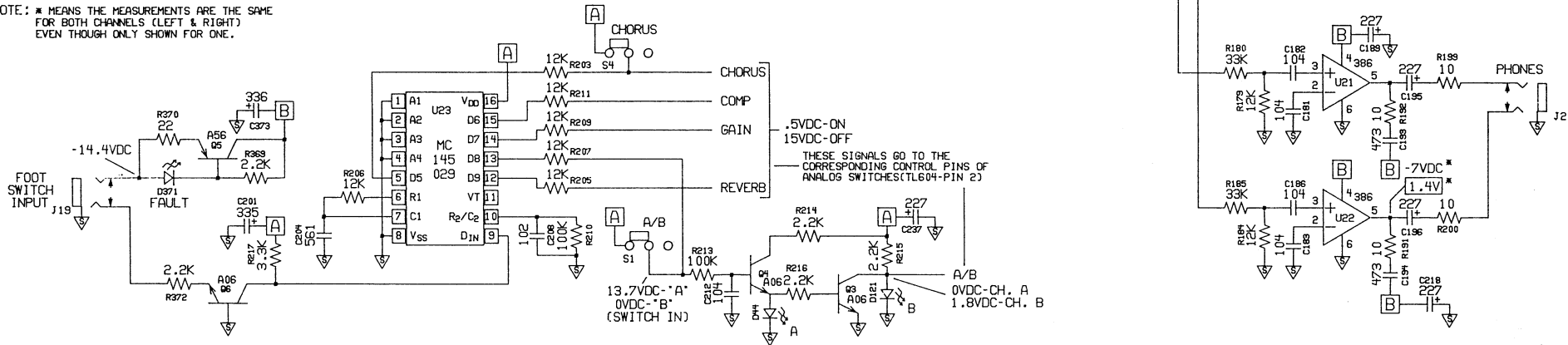


GALLIEN-KRUEGER	MODEL #:	DATE:	DESCRIPTION:
	2100SEL	4/6/88	CHORUS & REVERB
SCHEMATIC PG: 2 OF: 5	DESIGNED BY:	BOARD #:	REV#-DATE:
	M.P.J.	60057B	-
			FROM SN: TO SN:

7/488

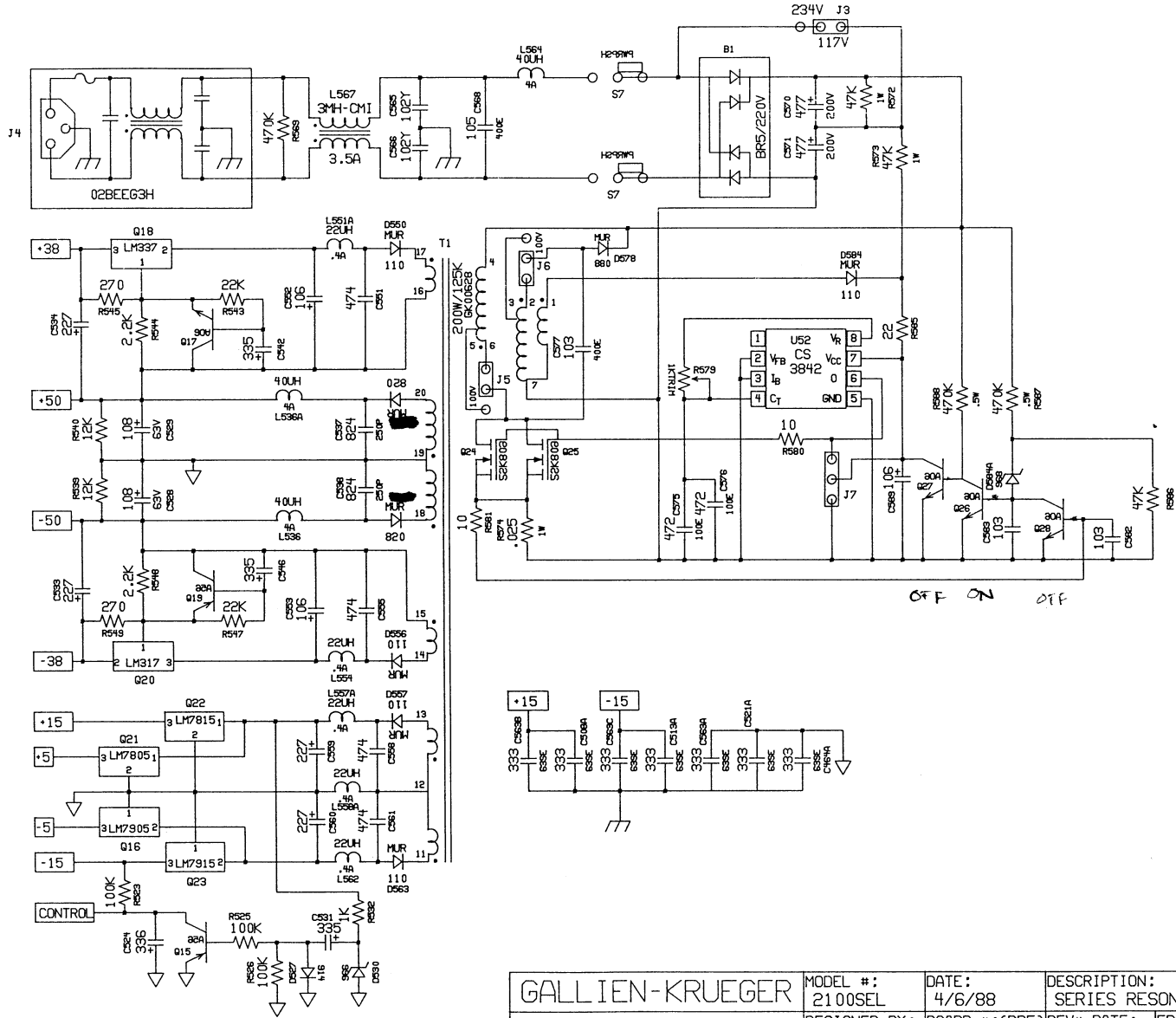


NOTE: \* MEANS THE MEASUREMENTS ARE THE SAME FOR BOTH CHANNELS (LEFT & RIGHT) EVEN THOUGH ONLY SHOWN FOR ONE.



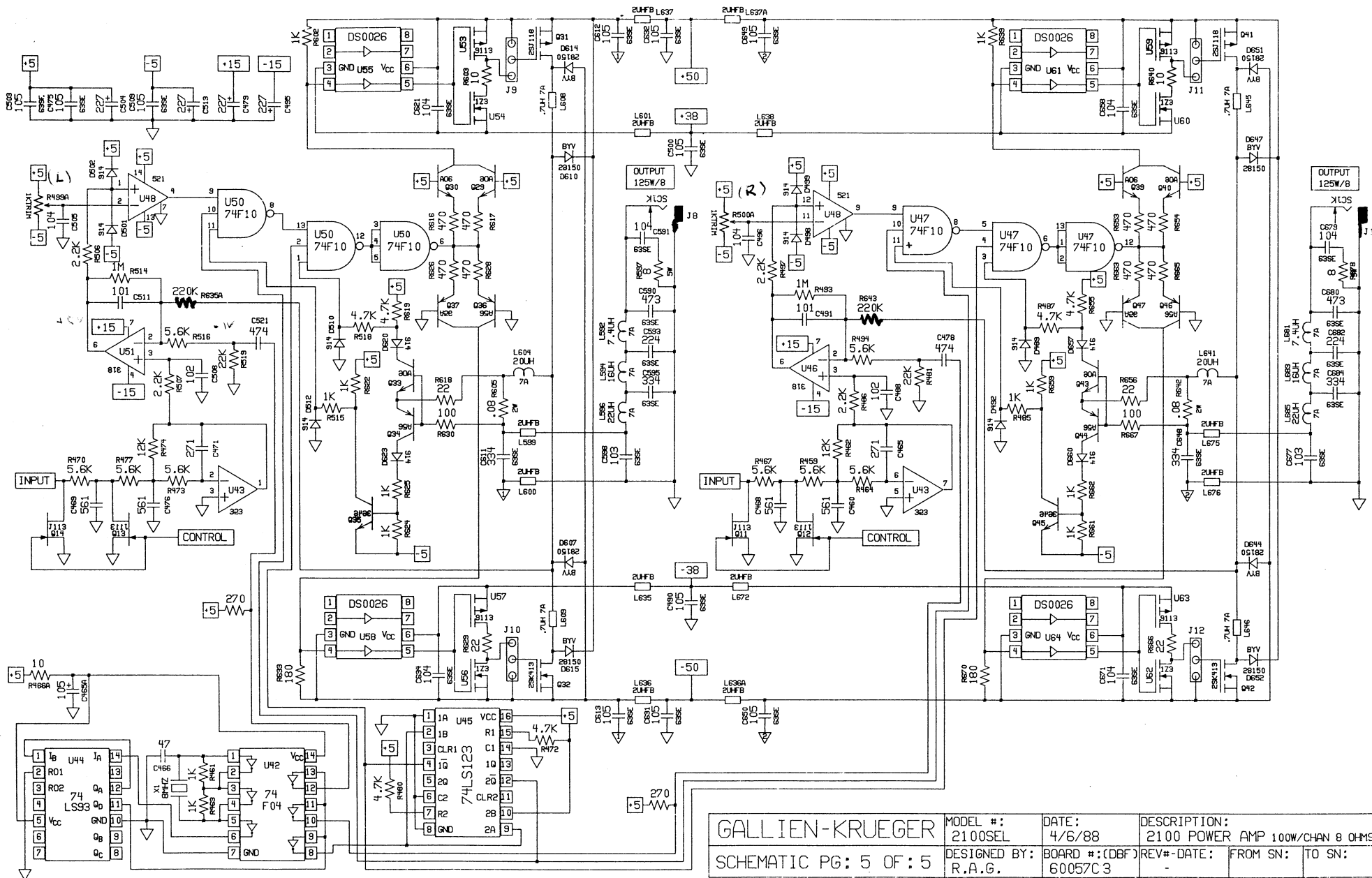
GALLIEN-KRUEGER	MODEL #: 2100SEL	DATE: 4/6/88	DESCRIPTION: NOISE REDUCTION & OUTPUTS
SCHEMATIC PG: 3 OF: 5	DESIGNED BY: M.P.J.	BOARD #: 60057B	REV#-DATE: FROM SN: TO SN:

5/4/88



Tray: 123, C575, R576  
 Tray # 252, C529, 527  
 (3<sup>26</sup> 98)

GALLIEN-KRUEGER	MODEL #: 2100SEL	DATE: 4/6/88	DESCRIPTION: 300W 125KHZ SERIES RESONANT SUPPLY
SCHEMATIC PG: 4 OF 5	DESIGNED BY: R.A.G.	BOARD #:(DBF) 60057C	REV#-DATE: FROM SN: TO SN:



GALLIEN-KRUEGER		MODEL #:	DATE:	DESCRIPTION:	
SCHEMATIC PG: 5 OF: 5		2100SEL	4/6/88	2100 POWER AMP 100W/CHAN 8 OHMS	
		DESIGNED BY:	BOARD #:(DBF)	REV#-DATE:	FROM SN: TO SN:
		R.A.G.	60057C 3	-	-

5/4/88