

1

2

3

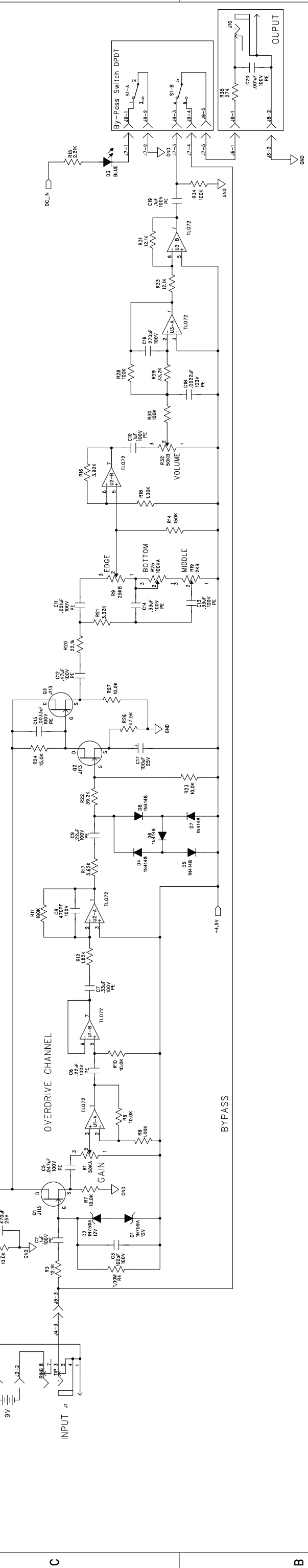
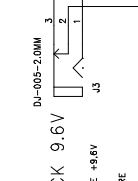
4

5

6

REVISION RECORD		APPROVED:	DATE:
LTR	ECD NO.		

DC POWER JACK 9.6V
 9V AC ADAPTOR MUST HAVE
 CENTER PIN GND AND SLEEVE +9.8V
 SQUARE PAD = 14C RED WIRE



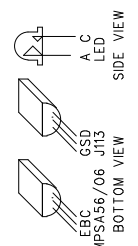
NOT VALID UNLESS STAMP IS RED

gallien technology

2240 PARAGON DRIVE
 SAN JOSE CA. 95131
 VOICE: 408-441-8081
 FAX: 408-441-8085

APPROVALS		TITLE:
INIT	DATE	
		DIESEL DAWG
DESIGNED: R.A.C.	1/29/01	DRAWING NO: 406-0110-A2
DRAWN: R.A.C.	9/13/02	PART NO: 206-0110-A2
ELEC:		COMPANY: GALLIEN-KRUEGER
MECH:		FILENAME: 6110A2.sch
Q/A:		RELEASED:

1. ADDED CABINET SIMULATOR.
2. PUT ALL JACKS ON SEPARATE BOARDS.
3. MADE ALL WIRES WITH 2MM HEADERS.



1

2

3

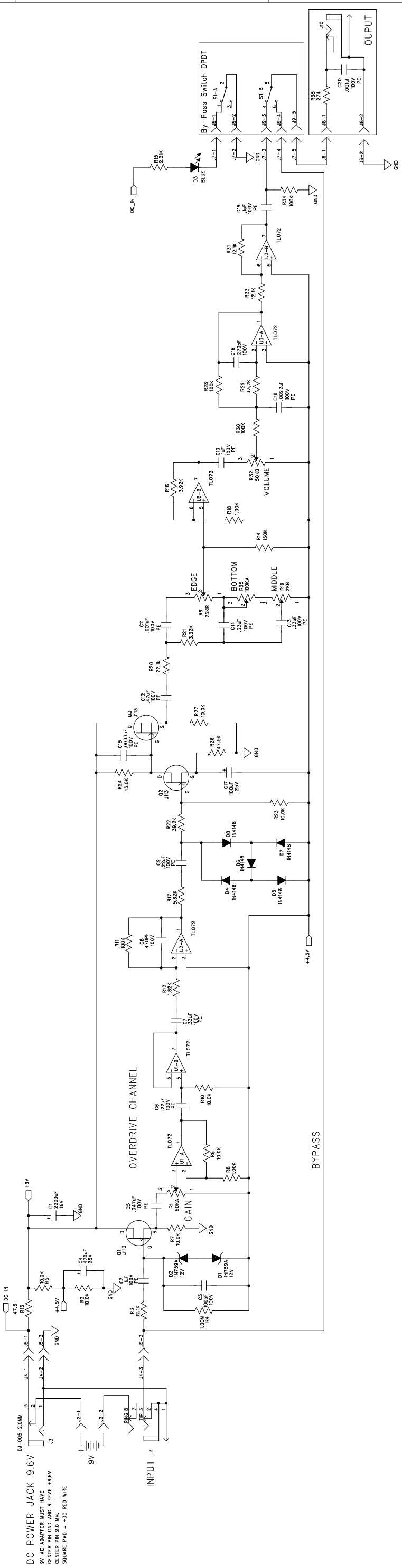
4

5

6

REVISION RECORD		APPROVED:	DATE:
LTR	ECO NO.		

DC POWER JACK 9.6V
 9V AC ADAPTOR MUST HAVE
 CENTER PIN GND AND SLEEVE +9.6V
 SQUARE PAD = 14C RED WIRE



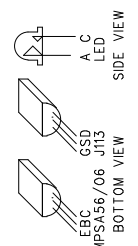
NOT VALID UNLESS STAMP IS RED

gallien technology

2240 PARAGON DRIVE
 SAN JOSE CA. 95131
 VOICE: 408-441-8081
 FAX: 408-441-8085

APPROVALS		TITLE:
INIT	DATE	
		DIESEL DAWG
DESIGNED: R.A.C.	1/29/01	DRAWING NO: 406-0770-A
DRAWN: R.A.C.	12/8/02	PART NO: 206-0770-A
ELEC:		COMPANY: GALLIEN-KRUEGER
MECH:		FILENAME: 6770A.sch
Q/A:		RELEASED:

- 1. UPDATE PAD AND HOLE SIZES.
- 2. CHANGE HEADERS TO BOARD-IN CRIMP STYLE.
- 3. CHANGE BOARD FROM 206-010-42 TO 206-0770-A



PCB WORK INSTRUCTIONS

DWG #420-0110-A1

NOTES:

UNLESS OTHERWISE SPECIFIED:

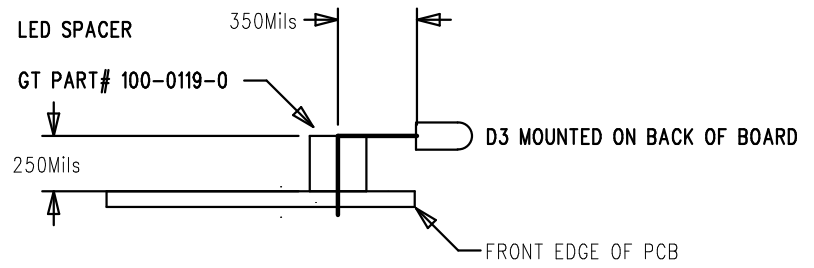
1. SQUARE PADS ON THRU HOLE PARTS (ie: CONNECTORS, DIPS, SIPS, LEDs) DENOTE PIN 1.
2. ALL BOARDS REQUIRE A COMPLETE AND THOROUGH VISUAL INSPECTION.
3. ALL BOARDS MUST BE BARE BOARD TESTED.
4. ASSEMBLE AND SOLDER PER ANSI/IPC-A-610B.

LOADING:

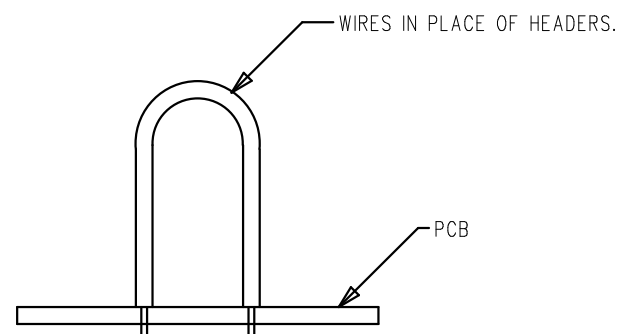
5. CLIP BUSHING TABS FROM POTS R1, 9, 19, 25, 32
6. MOUNT D3 ON BACK OF BOARD AS SHOWN IN DETAIL "A".
7. WIRES MAY BE INSTALLED IN PLACE OF HEADERS J4-5, J6-8, AND J7-9, AS SHOWN IN DETAIL "B".
9. MASK HOLES ON J2 AND D3 TO KEEP CLEAN FOR ASSEMBLY AFTER WAVE.

FINAL QA:

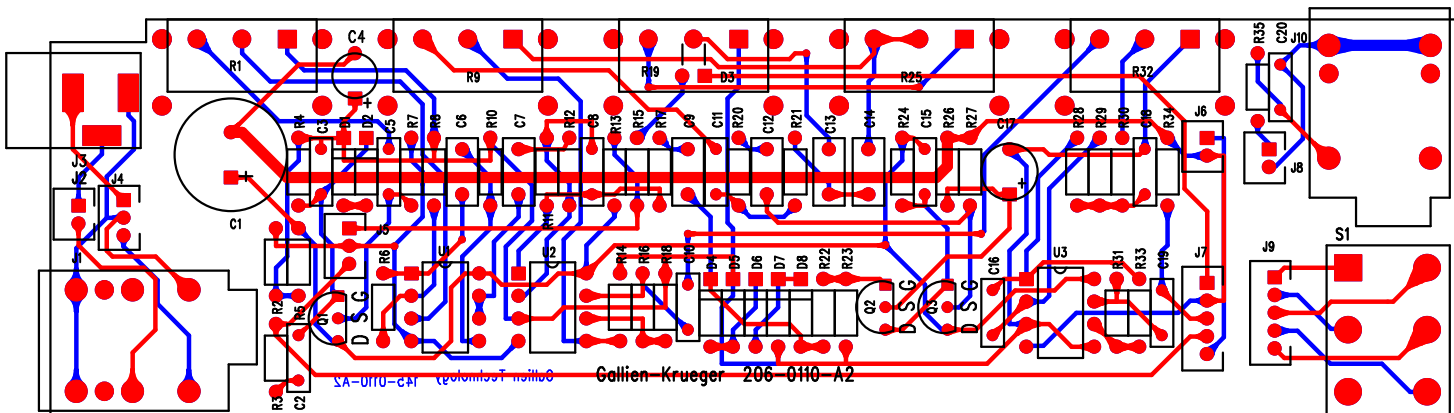
10. CHECK TO SEE ALL POTS, JACKS, AND SWITCHES ARE MOUNTED FLUSH AND STRAIGHT



DETAIL "A"



DETAIL "B"



NOT VALID UNLESS STAMP IS RED	gallien technology		2240 PARAGON DRIVE SAN JOSE CA. 95131 VOICE: 408-441-8081 FAX: 408-441-8085	
	APPROVALS		TITLE:	
	INIT	DATE	SIZE	DRAWING NO:
	DESIGNED: R.A.G.	1/02/01	B	406-0110-A2
	DRAWN: R.A.G.	9/13/02		PART NO: 206-0110-A2
	ELEC:			REV. A2
LAYER DESCRIPTION:	MECH:		COMPANY:	
TOP SIDE ROUTING	GERBER FILE NAME:		FILENAME:	
	st0126.pho		5110A2 DIESEL DAWG	

PCB WORK INSTRUCTIONS

DWG #420-0770-A

NOTES:

UNLESS OTHERWISE SPECIFIED:

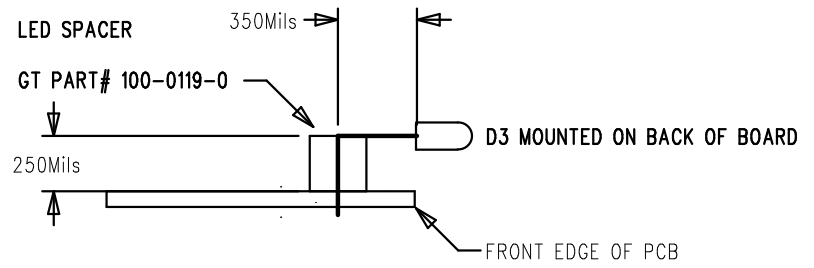
1. SQUARE PADS ON THRU HOLE PARTS (ie: CONNECTORS, DIPS, SIPS, LEDS) DENOTE PIN 1.
2. ALL BOARDS REQUIRE A COMPLETE AND THOROUGH VISUAL INSPECTION.
3. ALL BOARDS MUST BE BARE BOARD TESTED.
4. ASSEMBLE AND SOLDER PER ANSI/IPC-A-610B.

LOADING:

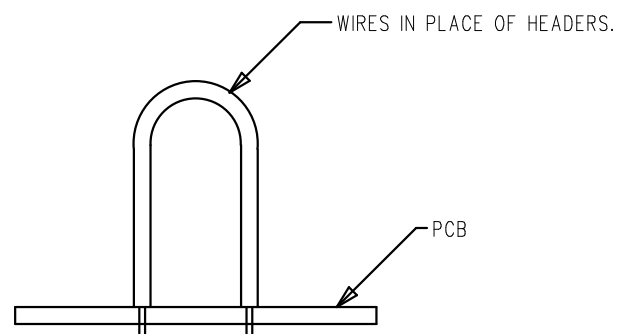
5. CLIP BUSHING TABS FROM POTS R1, 9, 19, 25, 32
6. MOUNT D3 ON BACK OF BOARD AS SHOWN IN DETAIL "A".
7. WIRES MAY BE INSTALLED IN PLACE OF HEADERS J4-5, J6-8, AND J7-9, AS SHOWN IN DETAIL "B".
9. MASK HOLES ON J2 AND D3 TO KEEP CLEAN FOR ASSEMBLY AFTER WAVE.

FINAL QA:

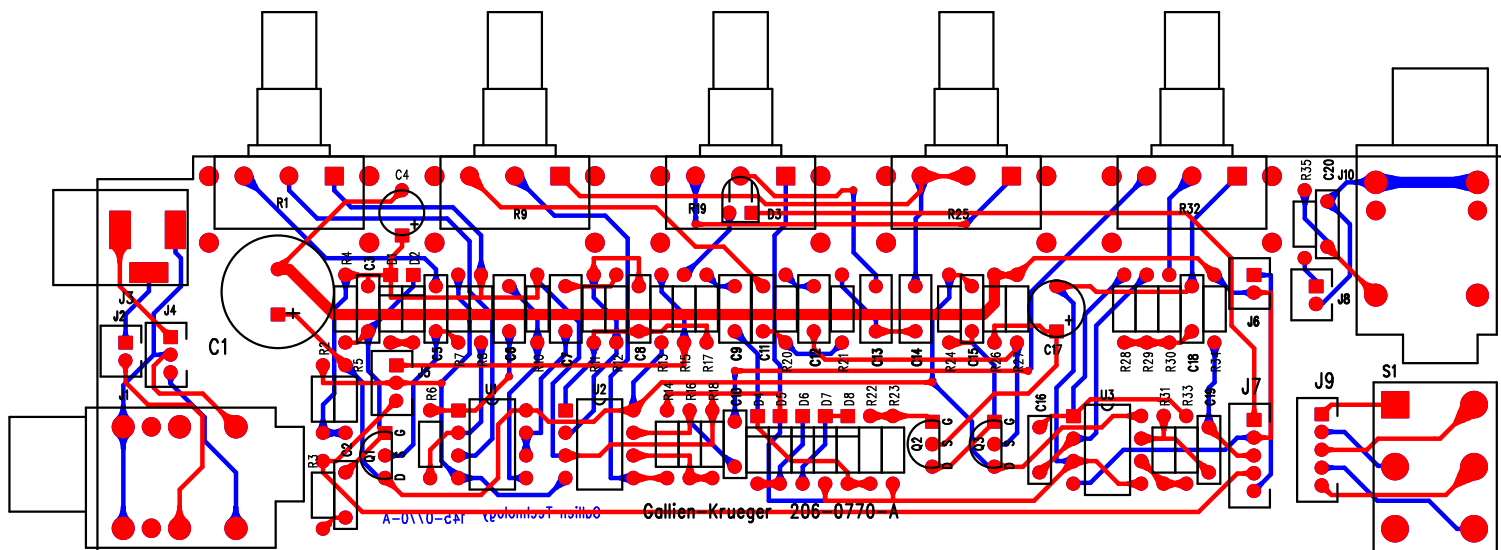
10. CHECK TO SEE ALL POTS, JACKS, AND SWITCHES ARE MOUNTED FLUSH AND STRAIGHT



DETAIL "A"



DETAIL "B"



NOT VALID UNLESS STAMP IS RED	gallien technology		2240 PARAGON DRIVE SAN JOSE CA. 95131 VOICE: 408-441-8081 FAX: 408-441-8085		
	APPROVALS		TITLE:		
	INIT	DATE	SIZE	DRAWING NO: 406-0770-A	REV. A.
	DESIGNED: R.A.G.	1/02/01			
	DRAWN: R.A.G.	12/8/02	B	PART NO: 206-0770-A	
	ELEC:				
LAYER DESCRIPTION: ASSEMBLY DESIGN	MECH:		COMPANY:		
	GERBER FILE NAME: sdt01261.pho		FILENAME: 5770A		

Diesel Dwg Main Board 206-0110-A2

Part No.	Reference	Description	Manufacturer	Mfr. Part No.
001-1030-1	U1-3	TLO72CP, LOW NOISE JFET OPAMP	MOTOROLA	TL072CP
010-2010-0	Q1-3	J113,N-JFET,35V,2MA,TO-92	NATIONAL	J113
020-0120-0	D1-2	1N759A, ZENER,12V,5%,400MW, DO-35	MOTOROLA	1N759A
020-1000-0	D4-8	1N4148, RECT-FAST, 200MA, 100V	MOTOROLA	1N4148
025-0030-2	D3	LED,BLUE, 10MA	LITEON	LTL-42B6
031-0228-0	C1	CAP, ELEC, RAD, 2200uF, 20%, 16V	UNITED CHEMI-CON	SMG16VB222M12X20LL
031-1107-0	C17	CAP,ELEC,RAD,107,20%,25V	UNITED CHEMI-CON	SMG25VB101M6X11LL
031-1477-0	C4	CAP, ELEC, RAD, 470uF, 20%, 25V	UNITED CHEMI-CON	SMG25VB471M10X12LL
032-4102-0	C11 C20	CAP,PE,102,5%,100V,	PANASONIC	ECQB1102JF
032-4104-0	C2 C10 C19	CAP,PE,104,5%,100V,	PANASONIC	ECQV1104JM
032-4222-0	C18	CAP,PE,222,5%,100V,	PANASONIC	ECQB1222JF
032-4224-0	C6 C9	CAP,PE,224,5%,100V,	PANASONIC	ECQV1224JM
032-4332-0	C15	CAP,PE,332,5%,100V,	PANASONIC	ECQB1332JF
032-4334-0	C7 C13-14	CAP,PE,334,5%,100V,	PANASONIC	ECQV1334JM
032-4473-0	C5	CAP,PE,473,5%,100V,	PANASONIC	ECQV1473JM
032-4474-0	C12	CAP,PE,474,5%,100V,	PANASONIC	ECQV1474JM
034-4101-0	C3	CAP,MCR,100pF,5%,100V,	TAITRON	TMRS101J100NPOB
034-4271-0	C16	CAP,MCR,270pF,5%,100V,	TAITRON	TMRS271J100NPOB
034-4471-0	C8	CAP,MCR,470pF,5%,100V,	TAITRON	TMRS471J100NPOB
060-1002-0	R8 R18	RES,METAL FILM, 1.00K, 1/8W, 1%	ECI	M1F1AK001.00
060-1003-0	R2 R5-7 R10 R23 R27	RES,METAL FILM, 10.0K, 1/8W,1%	ECI	M1F1AK010.00
060-1004-0	R11 R28 R30 R34	RES,METAL FILM, 100K, 1/8W, 1%	ECI	M1F1AK100.00
060-1005-0	R4	RES, MF, 1.00M, 1%,1/8W, 060-1005-0	ECI	M1F1AM001.00
060-1213-0	R3 R31 R33	RES,METAL FILM, 12.1K OHM, 1/8W, 1%	ECI	M1F1AK012.10
060-1503-0	R24	RES,METAL FILM, 15.0K, 1/8W, 1%	ECI	M1F1AK015.00
060-1504-0	R14	RES,METAL FILM, 150K, 1/8W, 1%	ECI	M1F1AK150.00
060-1822-0	R12	RES,METAL FILM, 1.82K, 1/8W, 1%	ECI	M1F1AK001.82
060-2212-0	R15	RES,METAL FILM, 2.21K, 1/8W, 1%	ECI	M1F1AK002.21
060-2213-0	R20	RES,METAL FILM, 22.1K, 1/8W, 1%	ECI	M1F1AK022.10
060-2741-0	R35	RES,METAL FILM, 274 ohm, 1/8W, 1%	ECI	M1F1AJ274.00
060-3322-0	R21	RES,METAL FILM, 3.32K, 1/8W, 1%	ECI	M1F1AK003.32
060-3323-0	R29	RES,METAL FILM, 33.2K, 1/8W, 1%	ECI	M1F1AK033.20
060-3922-0	R16	RES,METAL FILM, 3.92K, 1/8W, 1%	ECI	M1F1AK003.92
060-3923-0	R22	RES,METAL FILM,39.2K,1/8W,1%	ECI	M1F1AK039.2
060-4750-0	R13	RES,METAL FILM, 47.5, 1/8W, 1%	ECI	M1F1AJ047.50
060-4753-0	R26	RES,METAL FILM, 47.5K, 1/8W, 1%	ECI	M1F1AK047.50
060-5622-0	R17	RES,METAL FILM, 5.62K, 1/8W, 1%	ECI	M1F1AK005.62
070-1513-0	R1	POT,50K-15A,7MM,KNURL,,1W	SONG HUEI	16K1-A50K-L15KC
070-1514-0	R32	POT,50KB,7MM,KNURL,.1W	SONG HUEI	16K1-B50K-L15KC
070-1522-0	R19	POT,2KB,7MM,KNURL,.1W	SONG HUEI	16K1-B2K-L15KC
070-1526-0	R9	POT,25KB,7MM,KNURL,.1W	SONG HUEI	16K1-B25K-L15KC
070-1527-0	R25	POT,100KA,7MM,KNURL,.1W	SONG HUEI	16K1-A100K-L15KC
090-0050-0	S1	SWITCH, DPDT,2A,FOOT PP,PC	CARLINGSWITCH	641-1-2-2-2-2
092-0080-0	J1	JACK,1/4",STEREO,PC, GROUNDING	NEUTRIK	S203-84G
092-0082-0	J10	JACK,1/4",MONO,PC, GROUNDING	NEUTRIK	S102-84G
092-0102-0	J3	DC POWER JACK,HORIZ,S-SLEAVE,2.0MM PIN	SINGATRON	DJ005-2.0MM
093-0043-0	J4-5	HDR, 2MMX3, VERT, LOCK	JST	B3B-PH-K-S
093-0051-0	J2 J6 J8	HDR, 2MMX2, VERT, LOCK	JST	B2B-PH-K-S
093-0053-0	J7 J9	HDR, 2MMX5, VERT, LOCK	JST	B5B-PH-K-S

Diesel Dawg Main Board 206-0770-A

Part No.	Reference	Description	Manufacturer	Mfr. Part No.
001-1030-1	U1-3	TLO72CP, LOW NOISE JFET OPAMP	MOTOROLA	TL072CP
010-2010-0	Q1-3	J113,N-JFET,35V,2MA,TO-92	NATIONAL	J113
020-0120-0	D1-2	1N759A, ZENER,12V,5%,400MW, DO-35	MOTOROLA	1N759A
020-1000-0	D4-8	1N4148, RECT-FAST, 200MA, 100V	MOTOROLA	1N4148
025-0030-2	D3	LED,BLUE, 10MA	LITEON	LTL-42B6
031-0228-0	C1	CAP, ELEC, RAD, 2200uF, 20%, 16V	UNITED CHEMI-CON	SMG16VB222M12X20LL
031-1107-0	C17	CAP,ELEC,RAD,107,20%,25V	UNITED CHEMI-CON	SMG25VB101M6X11LL
031-1477-0	C4	CAP, ELEC, RAD, 470uF, 20%, 25V	UNITED CHEMI-CON	SMG25VB471M10X12LL
032-4102-0	C11 C20	CAP,PE,102,5%,100V,	PANASONIC	ECQB1102JF
032-4104-0	C2 C10 C19	CAP,PE,104,5%,100V,	PANASONIC	ECQV1104JM
032-4222-0	C18	CAP,PE,222,5%,100V,	PANASONIC	ECQB1222JF
032-4224-0	C6 C9	CAP,PE,224,5%,100V,	PANASONIC	ECQV1224JM
032-4332-0	C15	CAP,PE,332,5%,100V,	PANASONIC	ECQB1332JF
032-4334-0	C7 C13-14	CAP,PE,334,5%,100V,	PANASONIC	ECQV1334JM
032-4473-0	C5	CAP,PE,473,5%,100V,	PANASONIC	ECQV1473JM
032-4474-0	C12	CAP,PE,474,5%,100V,	PANASONIC	ECQV1474JM
034-4101-0	C3	CAP,MCR,100pF,5%,100V,	TAITRON	TMRS101J100NPOB
034-4271-0	C16	CAP,MCR,270pF,5%,100V,	TAITRON	TMRS271J100NPOB
034-4471-0	C8	CAP,MCR,470pF,5%,100V,	TAITRON	TMRS471J100NPOB
060-1002-0	R8 R18	RES,METAL FILM, 1.00K, 1/8W, 1%	ECI	M1F1AK001.00
060-1003-0	R2 R5-7 R10 R23 R27	RES,METAL FILM, 10.0K, 1/8W,1%	ECI	M1F1AK010.00
060-1004-0	R11 R28 R30 R34	RES,METAL FILM, 100K, 1/8W, 1%	ECI	M1F1AK100.00
060-1005-0	R4	RES, MF, 1.00M, 1%,1/8W, 060-1005-0	ECI	M1F1AM001.00
060-1213-0	R3 R31 R33	RES,METAL FILM, 12.1K OHM, 1/8W, 1%	ECI	M1F1AK012.10
060-1503-0	R24	RES,METAL FILM, 15.0K, 1/8W, 1%	ECI	M1F1AK015.00
060-1504-0	R14	RES,METAL FILM, 150K, 1/8W, 1%	ECI	M1F1AK150.00
060-1822-0	R12	RES,METAL FILM, 1.82K, 1/8W, 1%	ECI	M1F1AK001.82
060-2212-0	R15	RES,METAL FILM, 2.21K, 1/8W, 1%	ECI	M1F1AK002.21
060-2213-0	R20	RES,METAL FILM, 22.1K, 1/8W, 1%	ECI	M1F1AK022.10
060-2741-0	R35	RES,METAL FILM, 274 ohm, 1/8W, 1%	ECI	M1F1AJ274.00
060-3322-0	R21	RES,METAL FILM, 3.32K, 1/8W, 1%	ECI	M1F1AK003.32
060-3323-0	R29	RES,METAL FILM, 33.2K, 1/8W, 1%	ECI	M1F1AK033.20
060-3922-0	R16	RES,METAL FILM, 3.92K, 1/8W, 1%	ECI	M1F1AK003.92
060-3923-0	R22	RES,METAL FILM,39.2K,1/8W,1%	ECI	M1F1AK039.2
060-4750-0	R13	RES,METAL FILM, 47.5, 1/8W, 1%	ECI	M1F1AJ047.50
060-4753-0	R26	RES,METAL FILM, 47.5K, 1/8W, 1%	ECI	M1F1AK047.50
060-5622-0	R17	RES,METAL FILM, 5.62K, 1/8W, 1%	ECI	M1F1AK005.62
070-1513-0	R1	POT,50K-15A,7MM,KNURL,.1W	SONG HUEI	16K1-A50K-L15KC
070-1514-0	R32	POT,50KB,7MM,KNURL,.1W	SONG HUEI	16K1-B50K-L15KC
070-1522-0	R19	POT,2KB,7MM,KNURL,.1W	SONG HUEI	16K1-B2K-L15KC
070-1526-0	R9	POT,25KB,7MM,KNURL,.1W	SONG HUEI	16K1-B25K-L15KC
070-1527-0	R25	POT,100KA,7MM,KNURL,.1W	SONG HUEI	16K1-A100K-L15KC
090-0050-0	S1	SWITCH, DPDT,2A,FOOT PP,PC	CARLINGSWITCH	641-1-2-2-2-2
092-0080-0	J1	JACK,1/4",STEREO,PC, GROUNDING	NEUTRIK	S203-84G
092-0082-0	J10	JACK,1/4",MONO,PC, GROUNDING	NEUTRIK	S102-84G
092-0102-0	J3	DC POWER JACK,HORIZ,S-SLEAVE,2.0MM PIN	SINGATRON	DJ005-2.0MM
093-5003-0	J4-5	HBC, 2MMX3, VERT, BOARD-IN CRIMP	JST	P3-SAN
093-5002-0	J6 J8	HBC, 2MMX2, VERT, BOARD-IN CRIMP	JST	P2-SAN
093-5005-0	J7 J9	HBC, 2MMX5, VERT, BOARD-IN CRIMP	JST	P5-SAN
145-0770-A		DIESEL DAWG BOARD		