

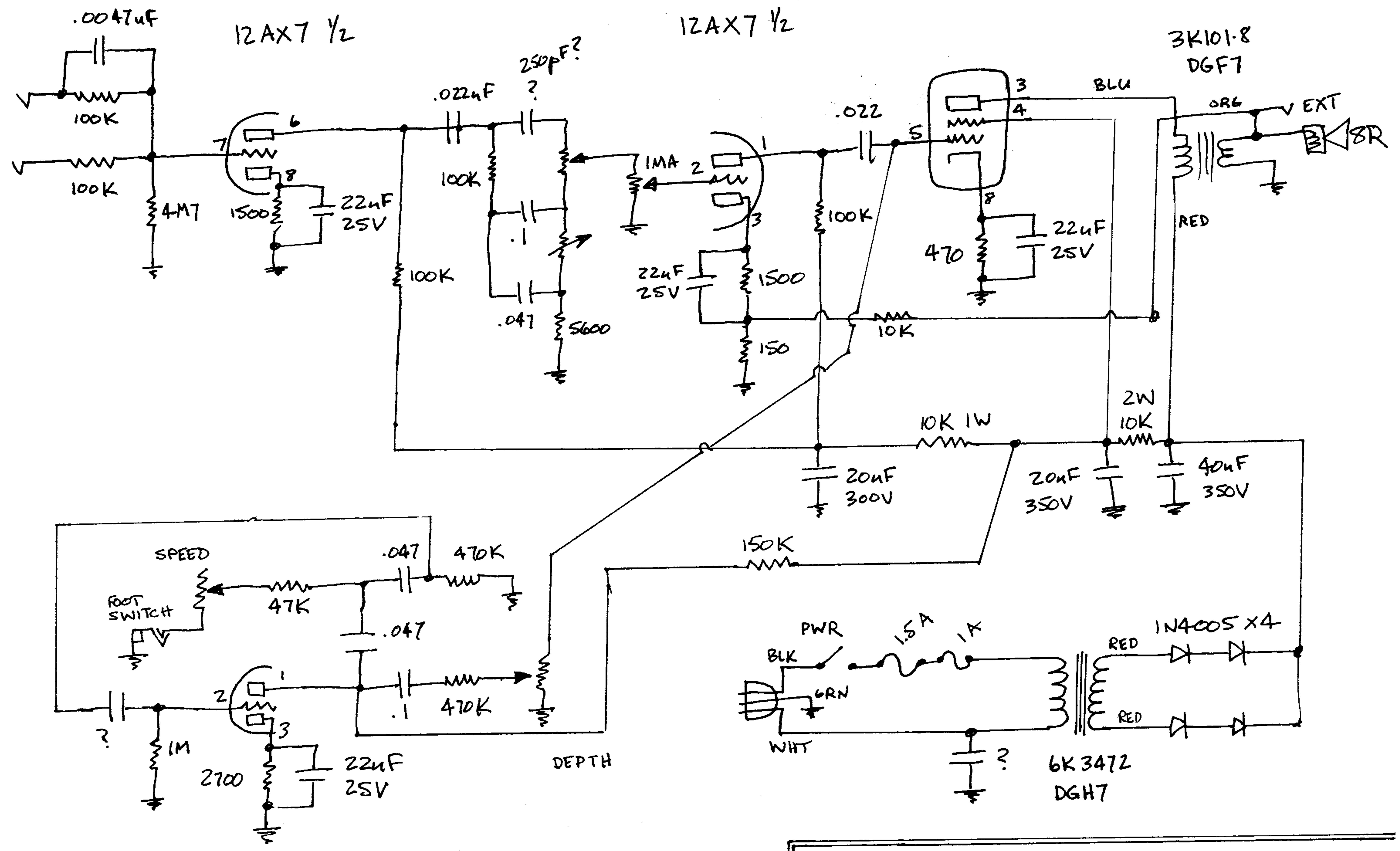
- 1) ALL RESISTANCES IN OHMS
- 2) ALL CAPACITORS IN UF UNLESS OTHERWISE SPECIFIED
- 3) THIS IS A STANDARD SCHEMATIC, COMPONENT VALUES MAY BE CHANGED TO IMPROVE PERFORMANCE.

V3
6V6GT

V1-A
12AX7 1/2

V1-B
12AX7 1/2

3K101-8
DGF7



V2-A
12AX7 1/2

V2-B
(unused)

Garnet Gnome G15T

Serial Number 28653

S. Killback 21 Jan 2001