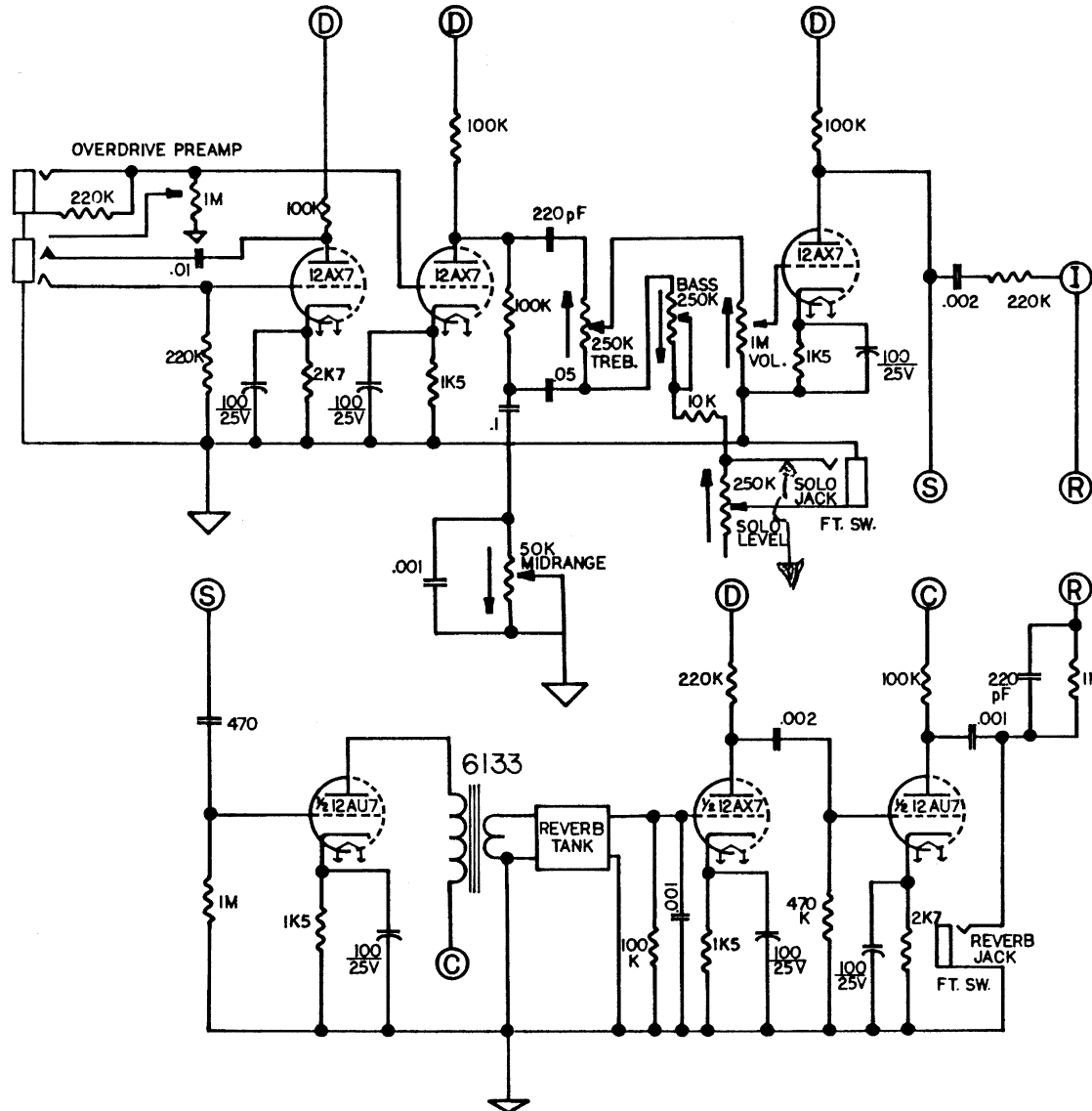


# GS100R PREAMP & REVERB

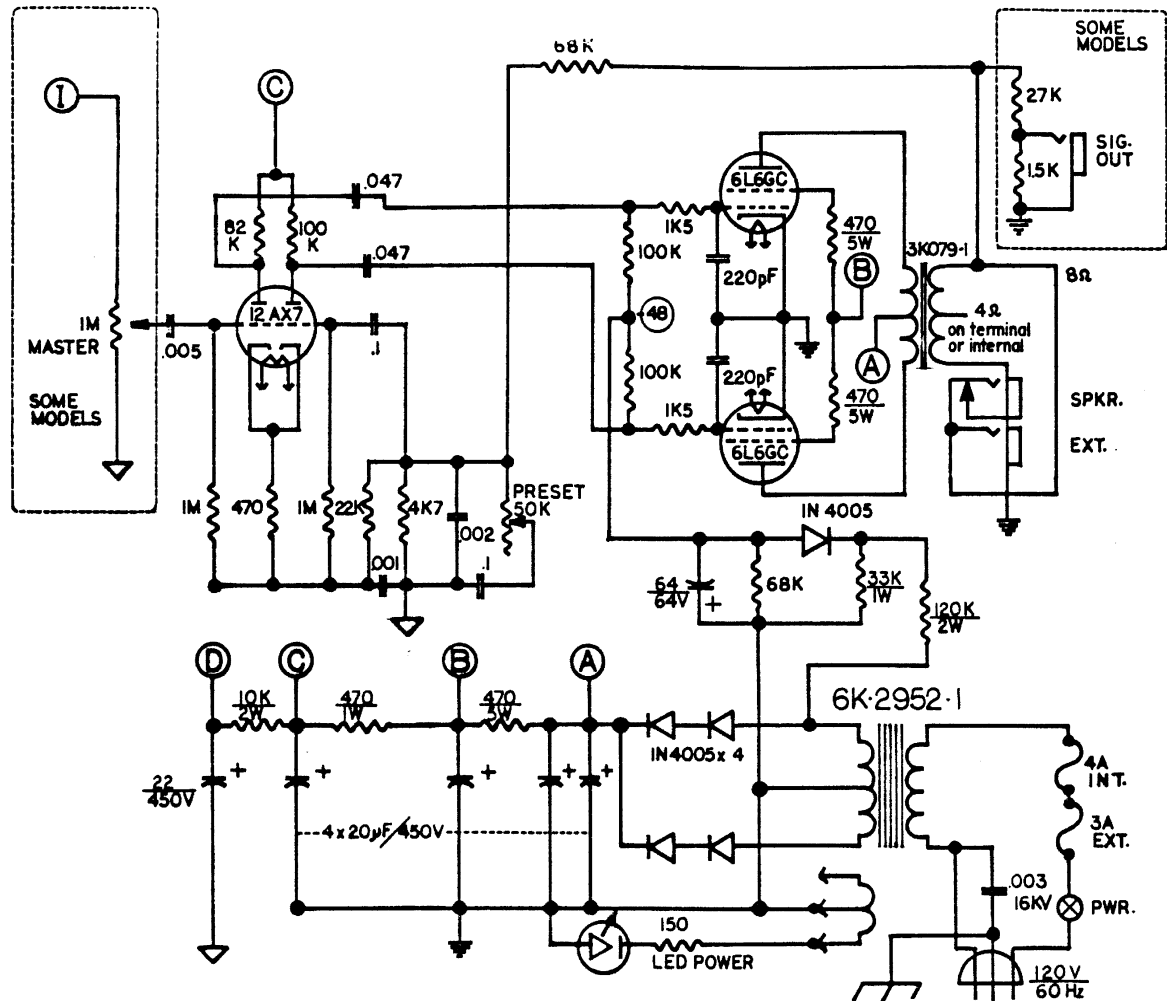
Garnet



DRWG. NO: 2 OF 2	GARNET AMPLIFIERS LTD.	
DATE: 15-04-83	DRWG. TITLE: PREAMPLIFIER/REVERB GS 100 R	
	ENG. BY: T.G. GILLIES	
	DRAWN BY: D.G.S.	SCALE: N.T.S.

# GS100R POWER AMP

# Garnet



LEGEND:  
 ↓ FRONT END GROUND  
 ↓ POWER SUPPLY GROUND

GS100R

DRWG. NO: 1 OF 2	GARNET AMPLIFIERS LTD.	
DATE: 15-04-83	DRWG. TITLE: GS 100R	
	ENG. BY: T. G. GILLIES	
	DRAWN BY: D.G.S.	SCALE: N.T.S.