

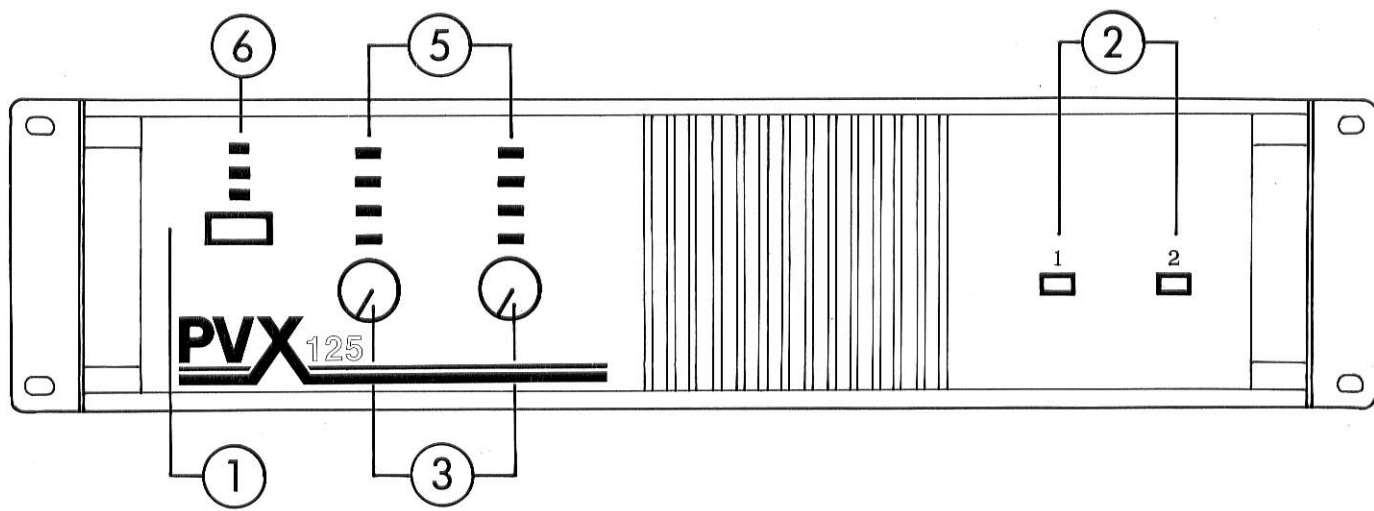
gemin
SOUND PRODUCTS WITH SOUND IDEAS

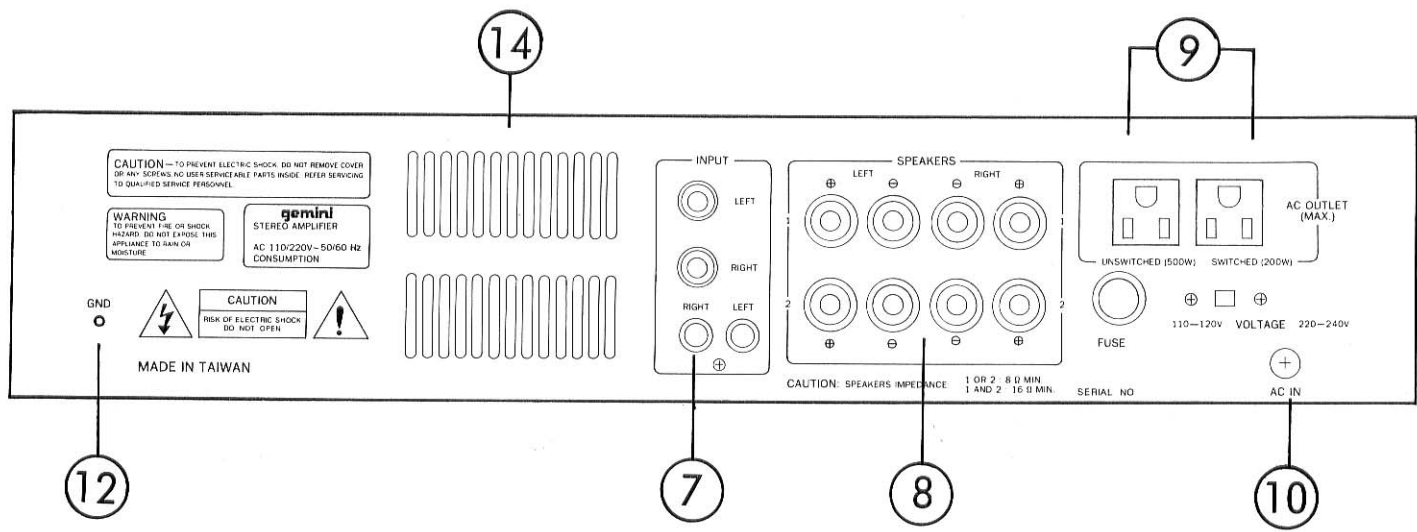
PVX-125

STEREO POWER AMPLIFIER



INSTRUCTION MANUAL





INTRODUCTION

We congratulate you on choosing a Gemini Sound Products power amplifier. You will find that it has been designed for easy use.

We have incorporated many features to help you; two individual display indicators, power output level controls, left/right volume control, or one of the many other features that this power amplifier has to offer. You will enjoy using it no matter how it is used, on the go, in the club, or at home.

To obtain maximum performance from your power amplifier please read all instructions carefully before operating.

WARNINGS

1. All operating instructions should be read before using this equipment.
2. To reduce the risk of electrical shock, do not remove cover or back. No user — serviceable parts inside. Refer servicing to a qualified service technician.
3. Do not expose to direct sunlight or heat sources: such as radiators, stoves, or other appliances that produce heat.
4. This unit should be cleaned only with a damp cloth. Avoid solvents or other cleaning detergents.
5. When moving this equipment it should be placed in its original carton and packing. This will reduce the risk of damage in transit.

INSTRUCTIONS FOR CONNECTIONS

1. Be sure that the POWER (1) is in the off position. All connections must be made with the equipment off.
2. Before plugging in the POWER CORD (10) make sure the VOLTAGE SELECTOR SWITCH (11) is set to the correct voltage (this unit is preset to 110V). Insert the power cord into a proper power source.
3. For best sound use only high quality audio cables when hooking up this power amplifier. Make sure that all cables are pushed in securely.
4. When hooking up the power amplifier use the LINE IN (7) jacks. Make sure you correctly attach the left and right cables.
5. There is one unswitched (total Max. 400W) and one switched (Max. 200W) AC OUTLETS (9) which allow the electrical hook up of other pieces of your electronics.
6. This unit provides two pairs of SPEAKER OUTPUT TERMINALS (8) to enable you to make comparison in sound quality between A and B speaker systems.
7. A GND terminal (12) is for earthing (grounding out) the unit for safety precaution.

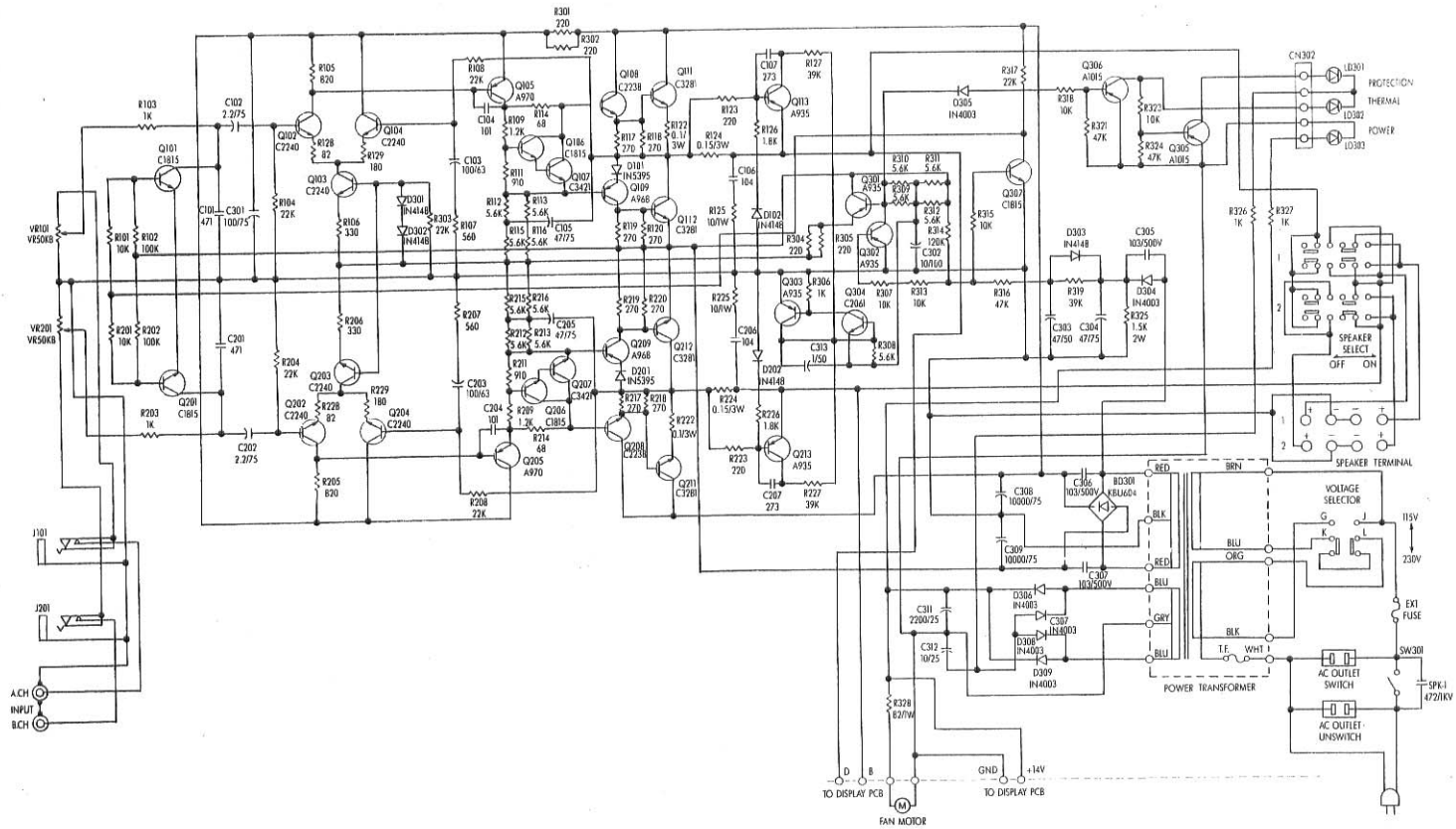
OPERATING INSTRUCTIONS

1. **POWER ON:** Once you have made all connections to your power amplifier press the POWER PROTECTOR (1) button to turn on the power. THE THERMAL and POWER LED's (6) will illuminate. When your amp gets to hot the PROTECTION LED(6) will illuminate and the amp will shut down. Turn off your amp for about 90 seconds and turn back on.
2. **SELECT 1 OR 2 SPEAKER SYSTEM:** Press SPEAKER 1/2 button (2) to select the proper setting as shown below:
Out (): Neither nor speaker terminal is selected. Sound can only be heard from PHONE jack (4)
1 in (): Sound can be heard from 1 speaker system.
2 in (): Sound can be heard from 2 speaker system.
3. **VOLUME CONTROL:** You are freely to control the left/right output level to speaker and headphone by using the rotary volume.(3)
4. **BUILT IN FAN:** (14) This allows the inside of your amp to be cooled down from over heating.
5. **POWER OUTPUT DISPLAY INDICATORS:** The left/right indicators tell you when there is too much output power calibrated to an 8 ohm speaker load. The clip LED will come on when this happens. Lower the volume controls gradually until the clip LED's go off.(5)

Specifications for PVX-125

Momentary music peak power at 1kHz	600 watts
Maximum power output (RMS) at 1kHz	240 watts at 4 ohm 125 watts at 8 ohm
Continuous power output (RMS) at 20-20kHz	100 watts per channel at 8 ohm
Total harmonic distortion	less than 0.1% at rated power output into 8 ohm
Frequency response	20Hz to 60kHz (+0/-3dB)
Damping factor	100 (8 ohm at 1kHz)
Signal to Noise ratio	98dB (IEC-A)
Output section	1, 2, 1 + 2 (4-16 ohms)
Indicators	Power, Protection, Thermal Signal ×2, Clip ×2, Level ×4
Power consumption	350 watts (Max)
Fuse	5A/125V ×1 pcs (outside) 5A/125V ×2 pcs (inside)
Dimension	19" (L) × 10 3/4" (W) × 3 1/4" (H)
Weight	21 lbs.
Rack	2 space

PVX-125 STEREO POWER AMPLIFIER SCHEMATIC DIAGRAM



PVX-125 DISPLAY PCB SCHEMATIC DIAGRAM

