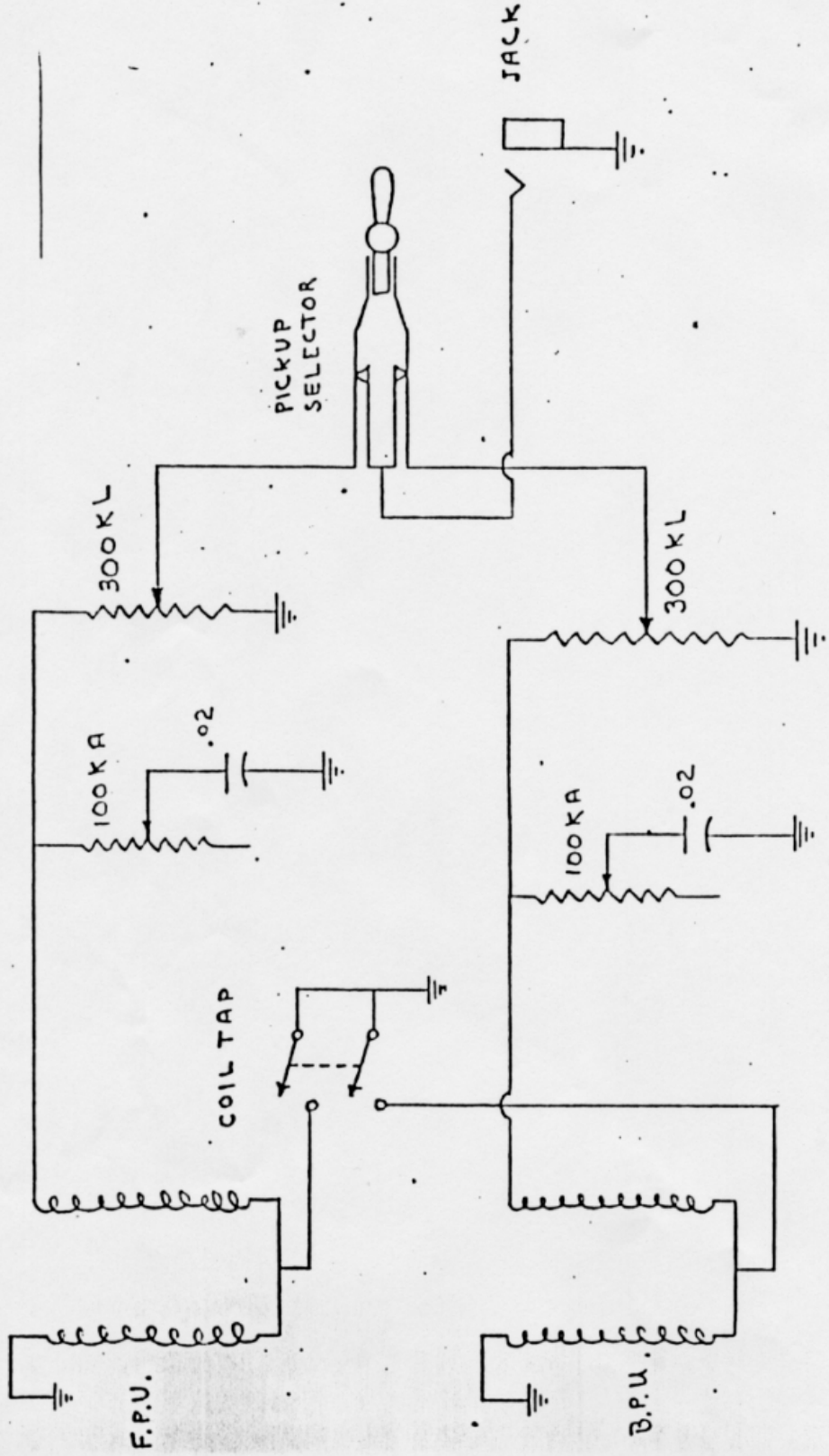


LES PAUL



LETTER	WAS	DATE	SCALE	None
			NO. REQ.	
			HEAT TREAT.	
			FINISH	
			DRAWN G. L. A. CHECKED	
PART NAME			L.P. 25/50	
KIND MATERIAL				
AMOUNT MATERIAL				
GIBSON, INC.			DATE 8-8-78	
KALAMAZOO, MICH.				