

SERVICE DOCUMENTATION



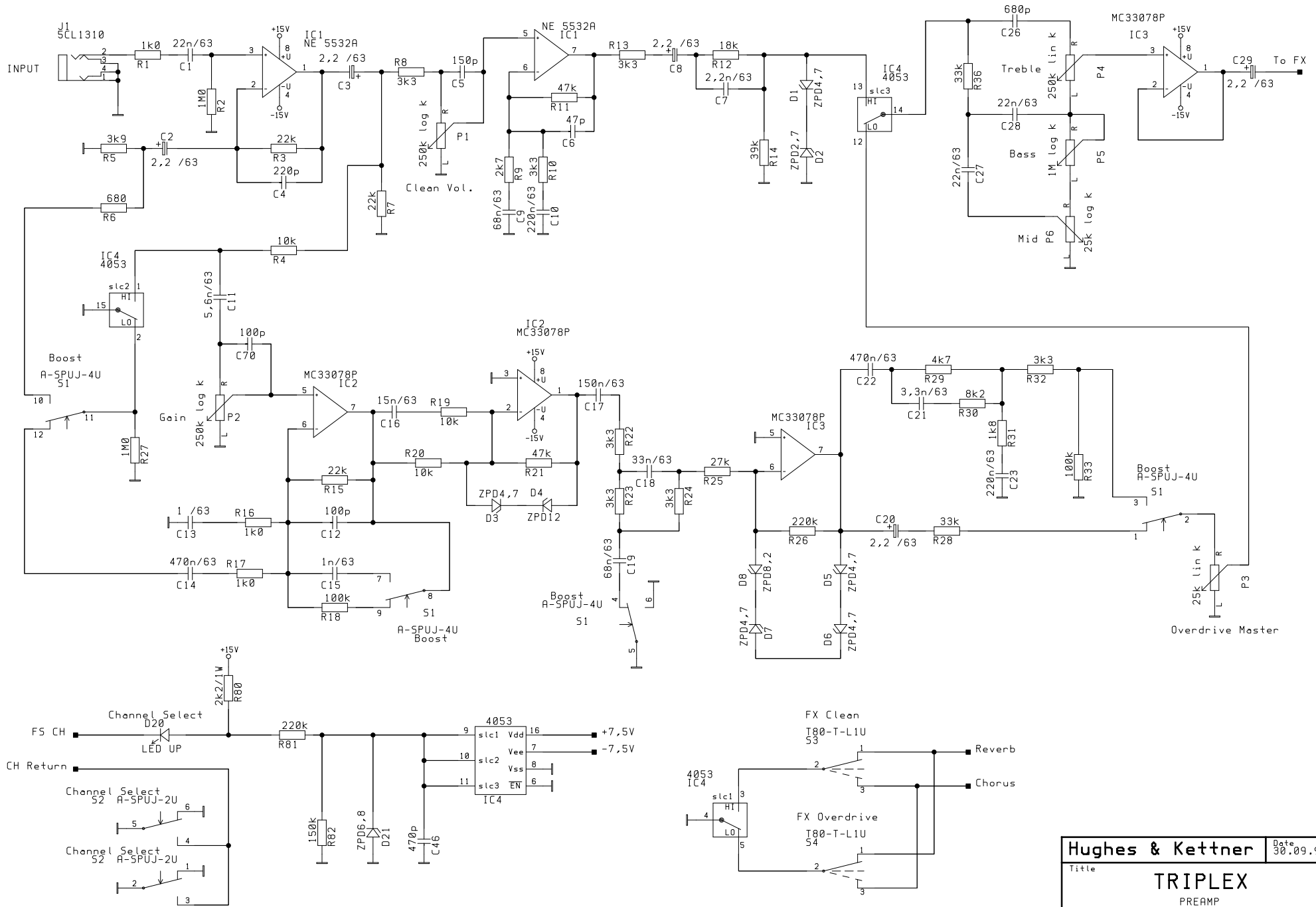
Triplex

Inhaltsverzeichnis/ Contents

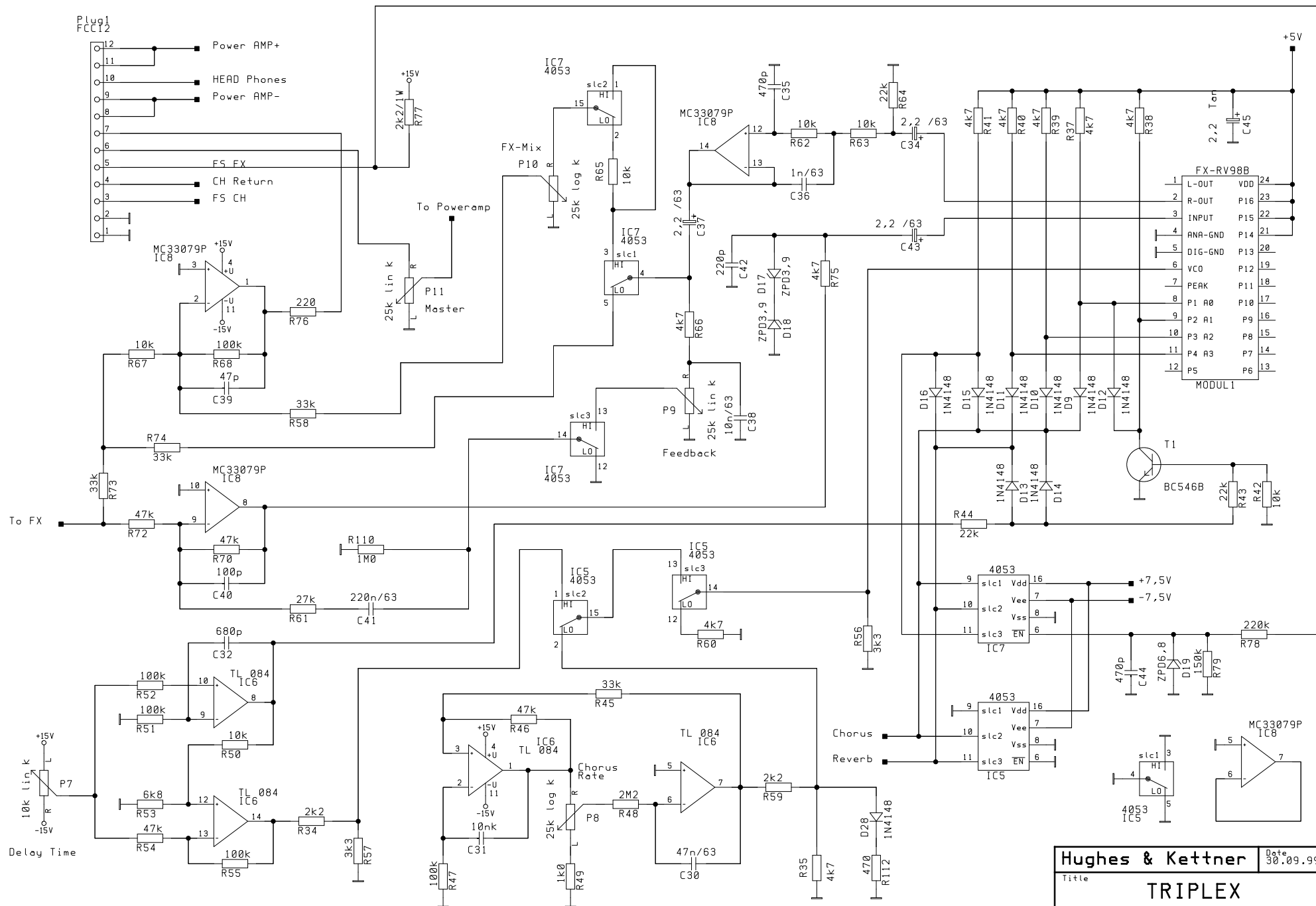
- 1 Schaltpläne/ schematic diagrams**
- 2 Bestückungspläne/ component parts**
- 3 Explosionszeichnung/ explosion drawings**
- 4 Bestellnummern/ order no.**
- 5 Bestellinformationen/ ordering informations**
- 6 Technische Daten/ technical data**

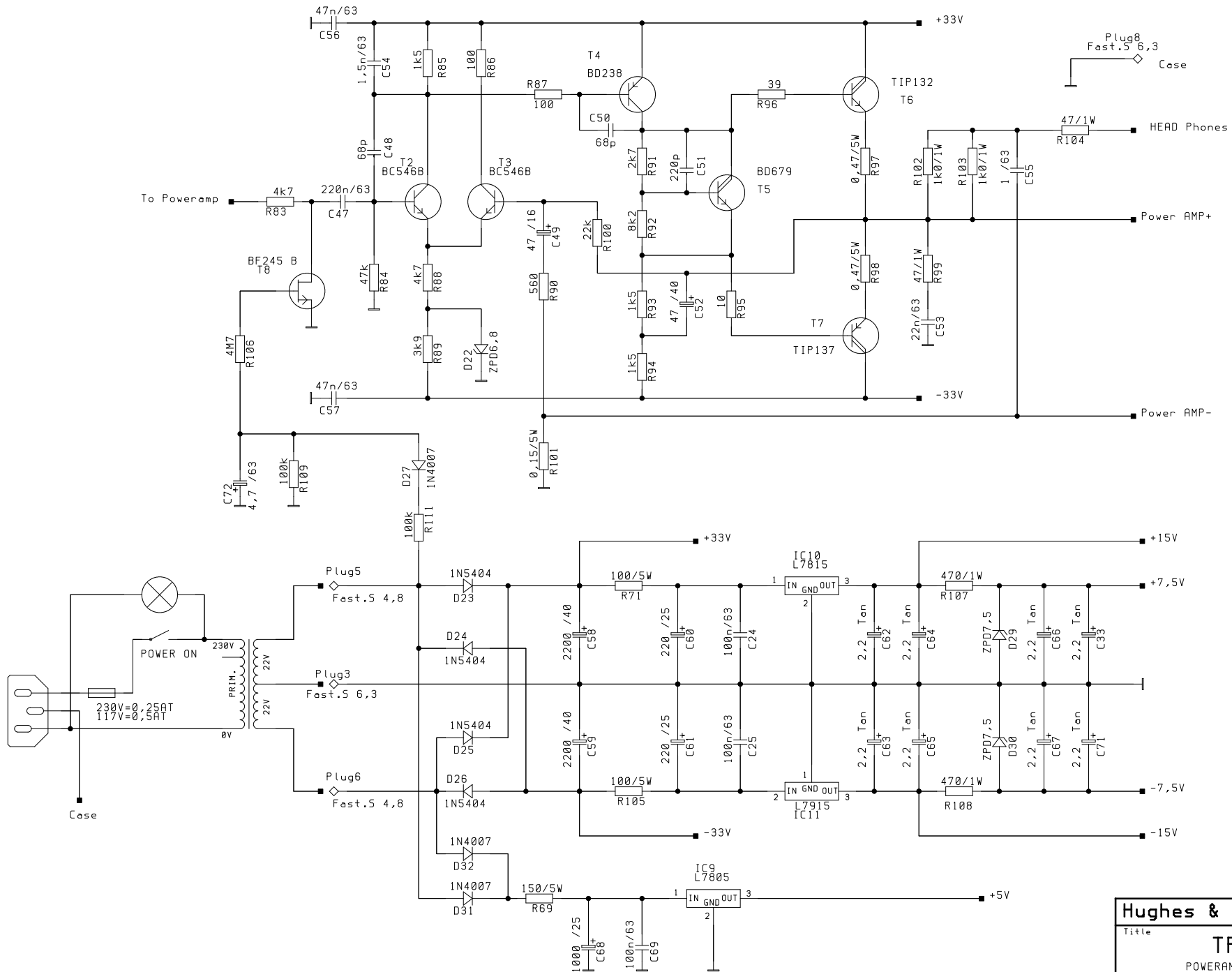
GD/ 08.11. 99

1 Schaltpläne/ schematics

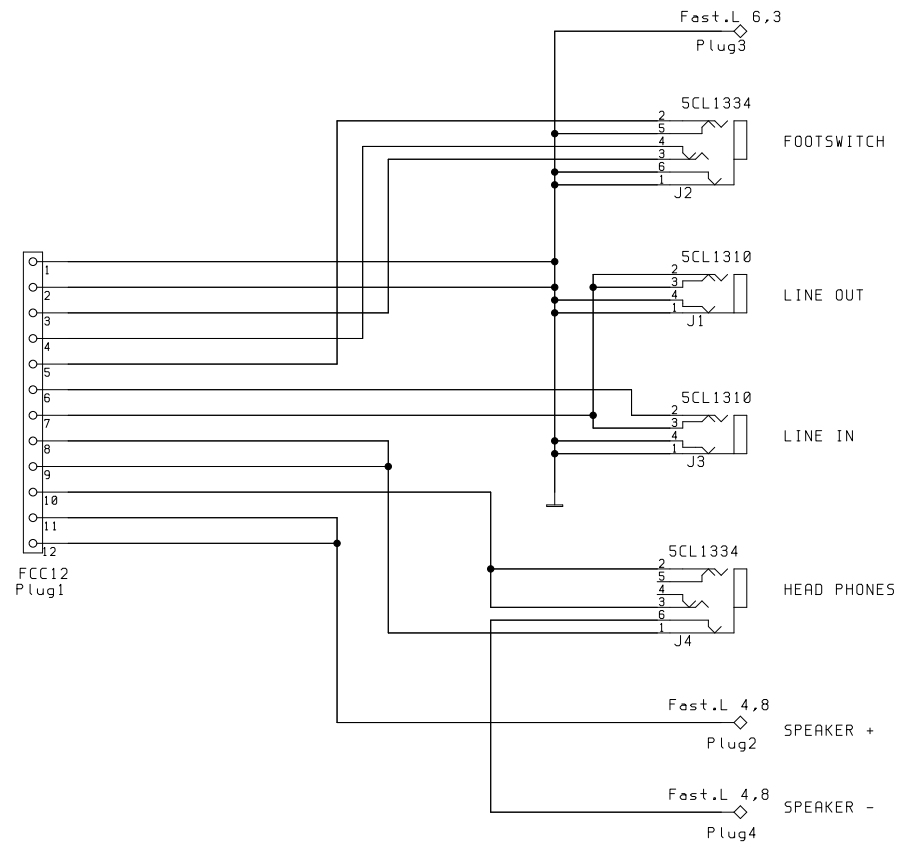


| | | |
|------------------|------------|----------|
| Hughes & Kettner | | Date |
| Title | | 30.09.99 |
| TRIPLEX | | |
| PREAMP | | |
| Page | Checked BY | Date |
| 1/4 | | |





| | | |
|-----------------------|------------|----------|
| Hughes & Kettner | | Date |
| Title | | 30.09.99 |
| TRIPLEX | | |
| POWERAMP POWER-SUPPLY | | |
| Page | Checked BY | Date |
| 3/4 | | |

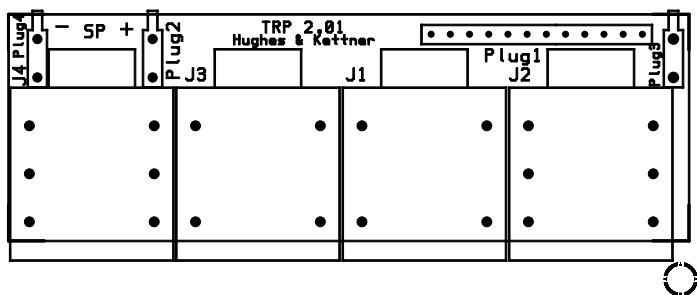


| | | |
|---|--------------------|------------------|
| Hughes & Kettner | | Date 30.09.99 |
| Title TRIPLEX OUTPUT - SECTION | | |
| Page 4/4 | Checked BY B.S. | Date |

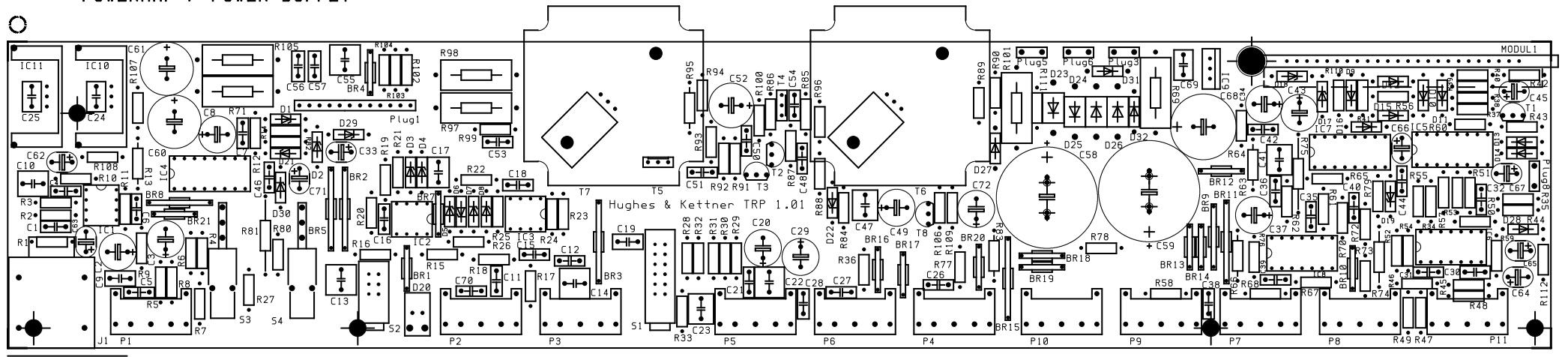
GD/ 08.11. 99

2 Bestückungspläne/ component parts

○ OUTPUT - SECTION

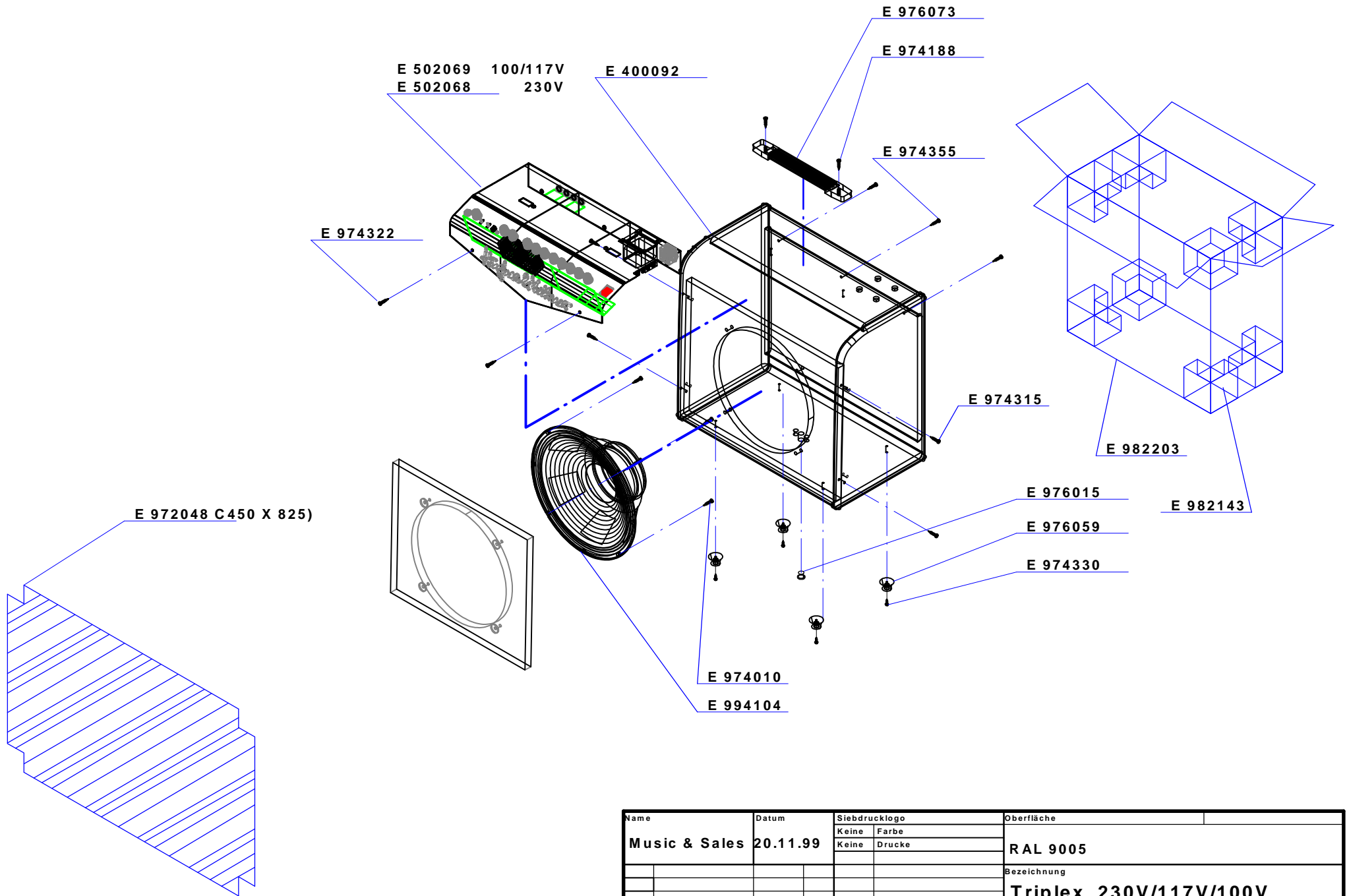


PREAMP
FX-SECTION
POWERAMP / POWER-SUPPLY



GD/ 08.11. 99

3 Explosionszeichnung/ explosion drawings



| Name | Datum | Siebdrucklogo | | Oberfläche |
|---------------|----------|---------------|--------|-------------------------------|
| Music & Sales | 20.11.99 | Keine | Farbe | RAL 9005 |
| | | Keine | Drucke | |
| | | | | Bezeichnung |
| | | | | Triplex 230V/117V/100V |
| | | | | |
| | | | | |

4 Bestellnummern/ order no. Triplex

| no. | schematic position | name | specs | part no. |
|-----|--------------------------|--------------|--------------------------|-----------|
| 1 | mains switch (230V) | switch | 230V | E 950 006 |
| 2 | mains switch (100/ 117V) | switch | 117V | E 950 029 |
| 3 | mains transformer | | 230V Combo | E 958 069 |
| 4 | mains transformer | | 100/117V Combo | E 958 097 |
| 5 | P1 (clean vol) | pot | 250 K Ω log, mono | E 914 044 |
| 6 | P2 (overdrive gain) | pot | 250 K Ω log, mono | E 914 044 |
| 7 | P3 (overdrive master) | pot | 25 K Ω lin, mono | E 914 041 |
| 8 | P4 (treble) | | 250 K Ω lin, mono | E 914 043 |
| 9 | P5 (bass) | pot | 1 M Ω log, mono | E 914 047 |
| 10 | P6 (mid) | pot | 25 K Ω log, mono | E 914 048 |
| 11 | P7 (time) | pot | 10 K Ω lin, mono | E 914 033 |
| 12 | P8 (rate) | pot | 25 K Ω log, mono | E 914 048 |
| 13 | P9 (feedback) | pot | 25 K Ω lin, mono | E 914 041 |
| 14 | P10 (fx-mix) | pot | 25 K Ω log, mono | E 914 048 |
| 15 | P11 (master vol) | pot | 25 K Ω lin, mono | E 914 041 |
| 16 | S1 (mode) | switch | 4 x um | E 950 004 |
| 17 | S2 (channel select) | switch | 2 x um | E 950 003 |
| 18 | S3 (fx-clean) | switch | 1 x um | E 950 037 |
| 19 | S4 (fx-overdrive) | switch | 1 x um | E 950 037 |
| 20 | D23- D26 | rectifier | 1N5404/ 3A/ 400V | E 934 025 |
| 21 | D27,D31,D32 | rectifier | 1N4007/ 1A/ 1000V | E 934 023 |
| 22 | T1 | transistor | BC546B | E 938 009 |
| 23 | T2 | transistor | BC546B | E 938 009 |
| 24 | T3 | transistor | BC546B | E 938 009 |
| 25 | T4 | transistor | BD238 | E 938 022 |
| 26 | T5 | transistor | BD679 | E 938 024 |
| 27 | T6 | transistor | TIP132 | E 938 034 |
| 28 | T7 | transistor | TIP137 | E 938 035 |
| 29 | IC 1 | OP amp | NE5532A | E 940 004 |
| 30 | IC 2 | OP amp | MC33078P | E 940 052 |
| 31 | IC 3 | OP amp | MC33078P | E 940 052 |
| 32 | IC 4 | multiplexer | HCF 4053 | E 940 002 |
| 33 | IC 5 | multiplexer | HCF 4053 | E 940 002 |
| 34 | IC 6 | OP amp | TL084 | E 940 022 |
| 35 | IC 7 | multiplexer | HCF 4053 | E 940 002 |
| 36 | IC 8 | OP amp | MC33079P | E 940 051 |
| 37 | IC 9 | voltage reg. | L7805 | E 940 006 |
| 38 | IC 10 | voltage reg. | L7815 | E 940 007 |
| 39 | IC 11 | voltage reg. | L7915 | E 940 008 |
| 40 | Modul 1 | fx- unit | FX-RV98B | E 959 007 |
| | | | | |
| | | | | |

5 Bestellinformationen/ ordering informations

Bestellinformationen und Ersatzteilbestellungen

Deutschland:

Music & Sales

Leipziger Straße 3

D- 66606 St. Wendel

Service

Tel.: 06851/ 905 333

Fax: 06851/ 905 100

E-mail: service@musicandsales.com

Technische Fragen

Tel.:06851/ 905 330

E-mail: service@musicandsales.com

Sparepart orders and technical questions for all other countries:

contact your local distributor or

Hughes & Kettner

Leipzigerstr. 3

66606 St. Wendel

Germany

Tel.: +49 6851/905 210

Fax: +49 6851/905 200

Email: intlservice_handk@musicandsales.com

6 Technische Daten/ technical data

Triplex

Eingänge/ inputs:

| | | |
|----------|---------------------------------------|--------------|
| Input: | Buchse/ connection: | ¼ phone jack |
| | Bauart Eingang/ input type: | unbalanced |
| | Eingangsimpedanz/ input impedance: | 1 MΩ |
| | Empfindlichkeit/ sensitivity: | - 10 dB |
| | max. Eingangsspegel/ max.input level: | +10 dB |
| Line In: | Buchse/ connection: | ¼ phone jack |
| | Bauart Eingang/ input type: | unbalanced |
| | Eingangsimpedanz/ input impedance: | 25 kΩ |
| | Empfindlichkeit/ sensitivity: | 0 dB |
| | max. Eingangsspegel/ max.input level: | +6 dB |

Ausgänge/ outputs:

| | | |
|-------------|--|---------------------|
| Line Out: | Buchse/ connection: | ¼ phone jack |
| | Bauart Ausgang/ output type: | unbalanced |
| | Ausgangsimpedanz/ output impedance: | 220 Ω |
| | Ausgangsspegel/ output level: | 0 dB |
| | max. Ausgangsspegel/ max.output level: | +6 dB |
| Headphones: | Buchse/ connection: | ¼ phone jack stereo |
| | Ausgangsimpedanz/ output impedance: | 550 Ω |
| | Ausgangsspegel/ output level: | 100 mW into 4- 600 |

Power amp:

38 Watts (RMS) into 8 Ω @ k = 1%

Speaker out:

Anzahl/ no.: none

Speaker:

| | |
|--------------------------|---------------------------|
| no.\ size: | 1 x 12" |
| type \ name: | Celestion Rock Driver jr. |
| impedance: | 8 Ohm |
| power handling: | 70 Watt |
| power handling programm: | 100 Watt |

Allgemeine elektrische Daten/ general electrical data:

Schutzklasse I/ protection class 1 (protectively earthed)

| | |
|-----------------------------------|--|
| Netzspannung/ mains voltage: 230V | Netzsicherung/ fuse: T 250 mA |
| Netzspannung/ mains voltage: 117V | Netzsicherung/ fuse: T 500 mA oder SB 500 mA |
| Netzspannung/ mains voltage: 100V | Netzsicherung/ fuse: T 630 mA |

| | |
|---|----------------------|
| max. Stromaufnahme/ max. current: | 230 m A @ 230V |
| max. Leistungsaufnahme/ max. power consumption: | 70 VA |
| Netzspannungsbereich/ mains voltage range: | +/- 10 % |
| Umgebungstemperaturbereich/ temperatur range: | - 10 °C bis + 60 ° C |
| interne Sicherungen/ internal fuses: | none |

Allgemeine mechanische Daten/ general mechanical data:

Abmessungen/ sizes: Breite/ width: 490 mm Höhe/ height: 445 mm Tiefe/ depth: 270 mm
Gewicht/ weight: 14,5 kg