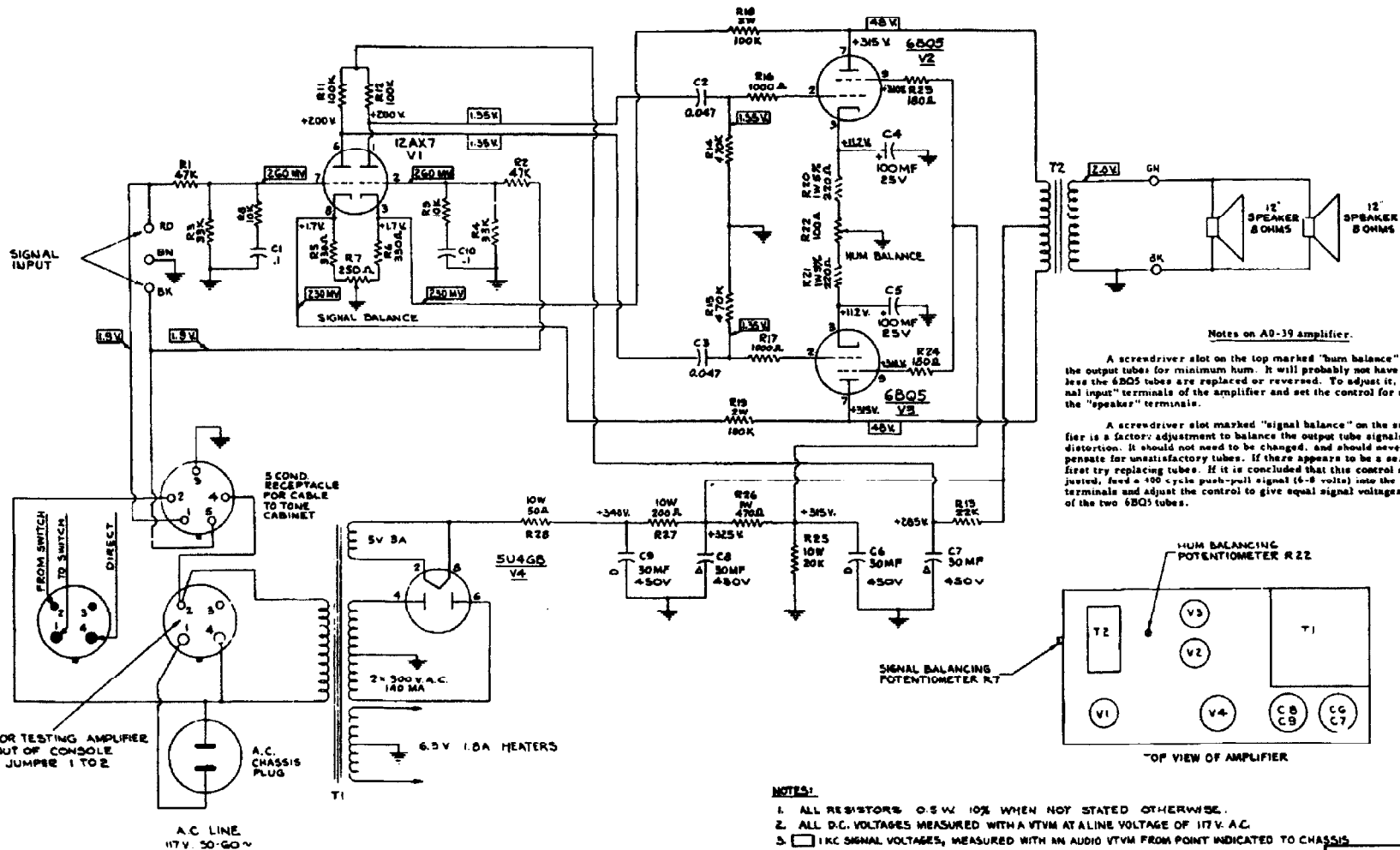


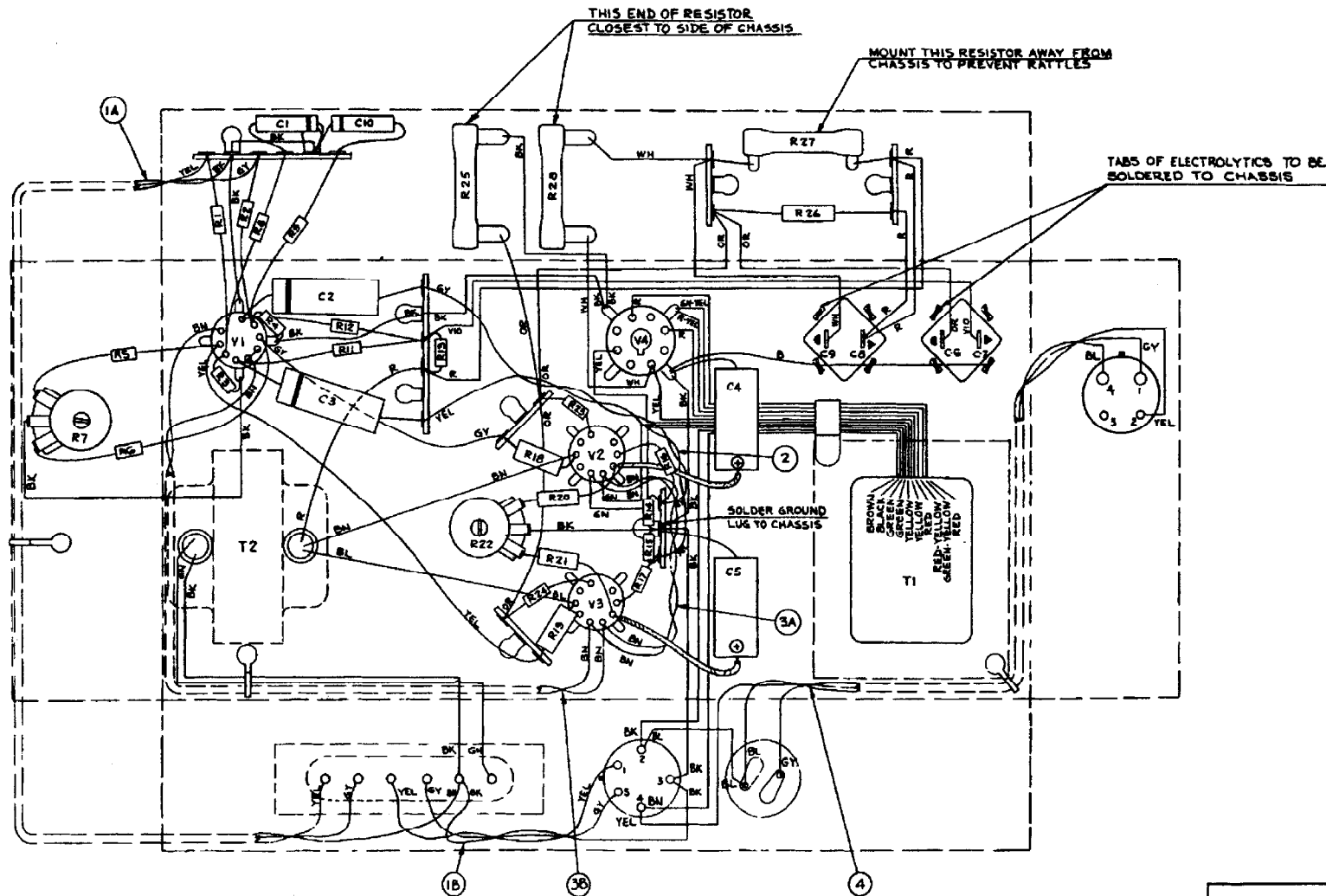
FIGURE 34 - SCHEMATIC, REVERBERATION AMPLIFIER AO 35 USED IN EARLY SERIES A-100 CONSOLES



**SCHEMATIC DIAGRAM
AO-39 POWER AMPLIFIER
USED IN HAMMOND ORGAN
A-100
A-101
A-102
FIGURE 32**

PWR AMP AO-39 WIRING

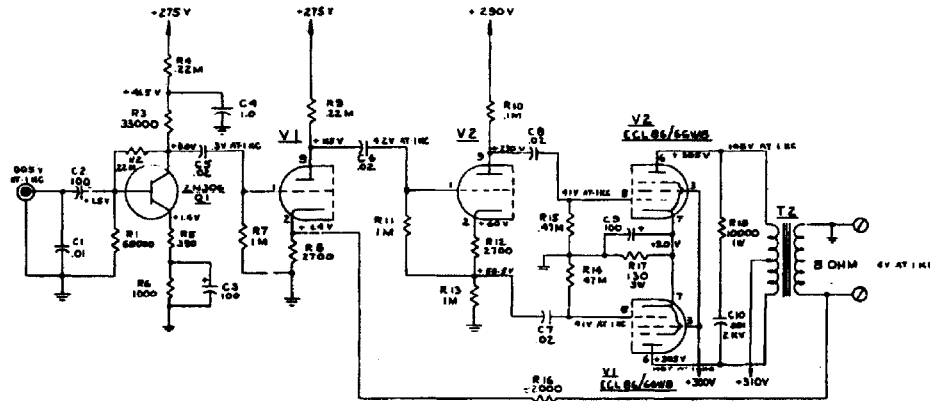
Hammond



**WIRING DIAGRAM
AO-39 POWER AMPLIFIER
USED IN HAMMOND ORGAN
A-100
A-101
A-102
FIGURE 33**

ORGAN REVERB AO-44 (A-100)

Hammond



NOTES:
 ALL AC VOLTAGES MEASURED WITH A VTVM.
 (INPUT IMPEDANCE 1 MEG OHM OR HIGHER)
 ALL DC VOLTAGES MEASURED WITH A 20000
 OHMS/VOLT METER
 ALL RESISTORS 1/2 W AND 10% UNLESS
 OTHERWISE SPECIFIED.

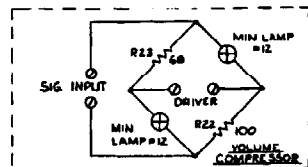
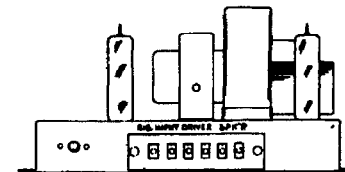
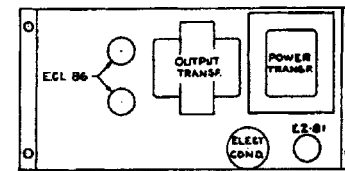
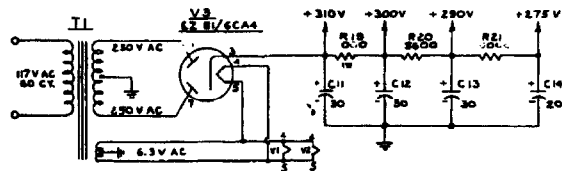
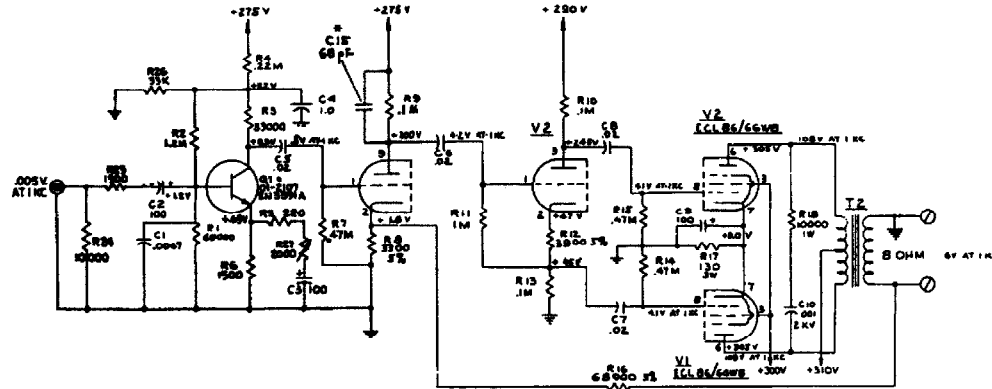
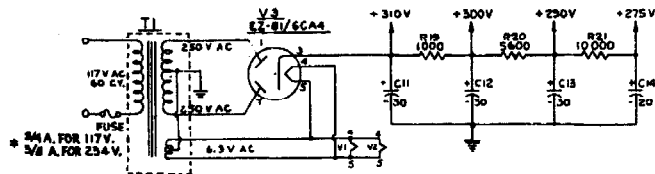


FIGURE 35 - SCHEMATIC, REVERBERATION AMPLIFIER AO-44 USED IN A-100 CONSOLES



NOTES:

- ALL AC VOLTAGES MEASURED WITH A VTVM. (INPUT IMPEDANCE 1 MEG. OHM OR HIGHER)
- ALL DC VOLTAGES MEASURED WITH A 20,000 OHMS/VOLTS METER
- ALL RESISTORS 1/2 W AND 10% UNLESS OTHERWISE SPECIFIED.



*These components will only be found in AO-44 amplifiers marked with Code "E"

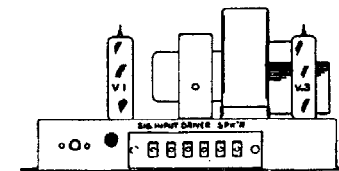
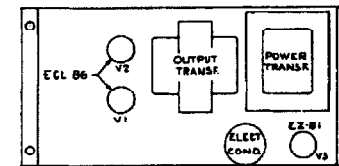
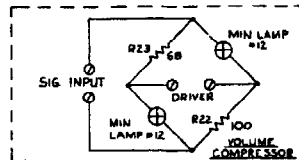


FIGURE 35A-SCHEMATIC REVERBERATION AMPLIFIER AO-44 USED IN LATER SERIES A-100 CONSOLES