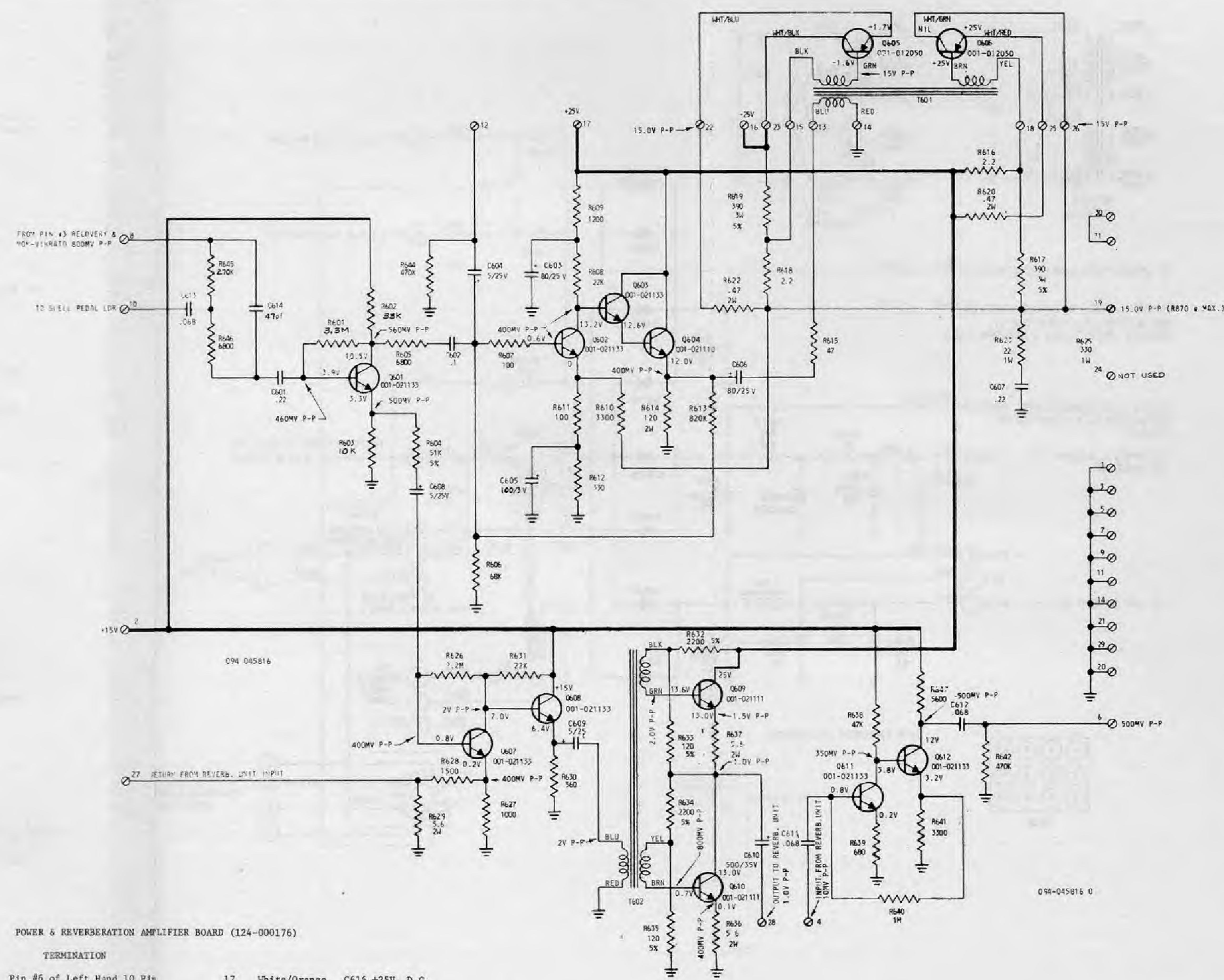
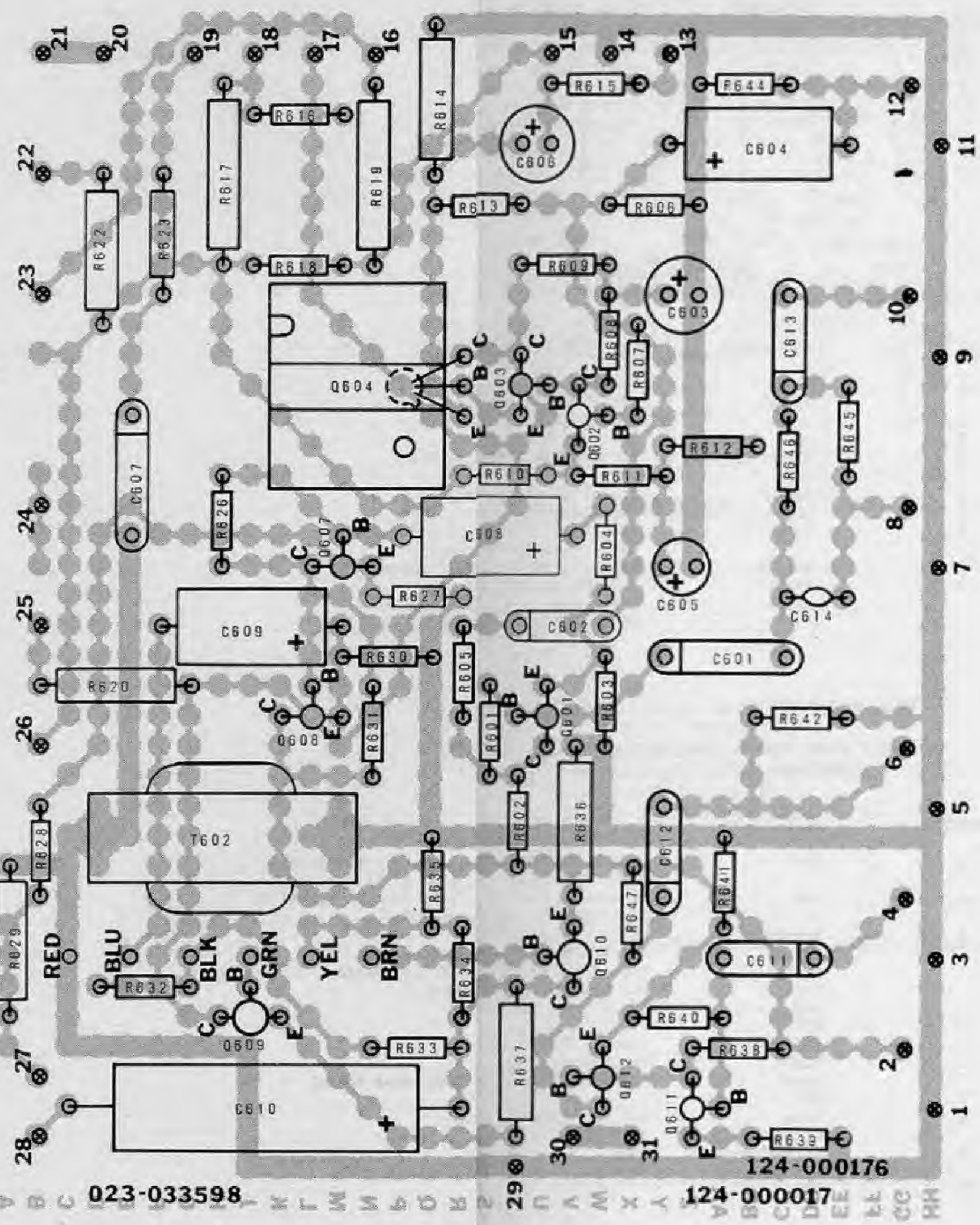


1 2 3 4 5 6 7 8 9 10 11 12 13 14 15 16 17 18 19 20 21 22 23 24 25 26 27 28 29 30 31 32 33 34



POWER & REVERBERATION AMPLIFIER BOARD (124-000176)

PIN #	WIRE COLOR	TERMINATION
1	Black	Pin #6 of Left Hand 10 Pin Terminal Strip Top of Power Supply
2	Orange	Pin #3 of Left Hand 10 Pin Terminal Strip Top of Power Supply
3	Shield	Blue Plug Output from Reverb Spring Unit.
4	Clear	Shield Cut Off
5	Shield	"J" Cable Reverb II Switch Open End 100K Resistor.
6	Clear	"K" Cable at Junction of 15 K & 5.6K Resistor between Reverb II & Volume Soft tabs.
7	Shield	To Swell Pedal
8	Clear	"H" Cable at Junction of 2200 pf, 58K, 27K between Vibrato on Upper & Reverb I tabs.
9	Shield	T601
10	Clear	T601
11	Shield	T601
12	Clear	C615 -25V. D.C.
13	Blue	C615 +25V. D.C.
14	Red	T601
15	Black	T601
16	Violet	C615 -25V. D.C.
17	White/Orange	Terminal #8 on 8 Pin Terminal Strip on Baffle Board near Generator.
18	Yellow	Terminal #6 on 8 Pin Terminal Strip on Baffle Board near Generator.
19	Green	To Chassis Ground Lug Under Side of Power Supply.
20	Black	Emitter of Q605
21	Black	Collector of Q605
22	White/Blue	N/C
23	White/Black	Emitter of Q606
24	N/C	Collector of Q606
25	White/Red	N/C
26	White/Green	N/C
27	Shield	Red Plug to Reverb Spring Input
28	Clear	"C" Cable Components & Switch Board #6 between Vibrato on Upper & Reverb I tabs. Junction of 2200 pf & 15K.
29	Shield	To Expression Pedal.
30	Clear	Cut Off
31	Clear	Shield

FIGURE 5-8  
POWER & REVERB AMPLIFIER  
BOARD 124-000176,  
LAYOUT & SCHEMATIC

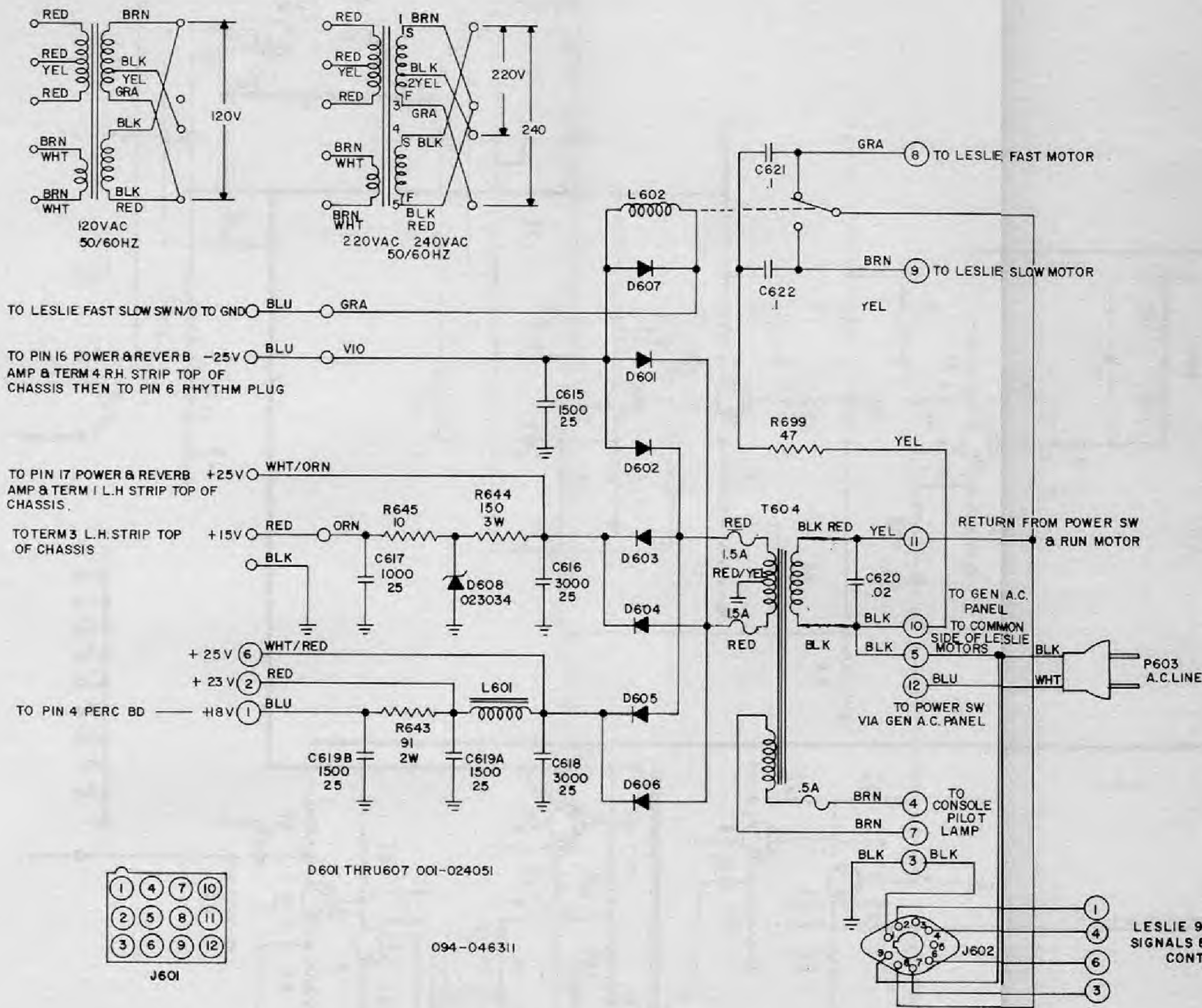


FIGURE 5-9  
POWER SUPPLY CHASSIS  
124-000176 - 124-000178  
SCHEMATIC

PIN #	WIRE COLOR	TERMINATION
1	Blue	Junction C619B and R643 +18V. D.C.
2	Red	Junction C619A, R643, & L601 +23 V. D.C.
3	Black	Pin #1 of J602 Tremolo Plug
4	Brown	Pin #6 of 14 Pin Terminal Strip Underside of Power Supply Chassis
5	Black	Pin #11 of 14 Pin Terminal Strip Underside of Power Supply Chassis
6	White/Red	To C618 & L601 +25 V. D.C.
7	Brown	To Pin #8 of 8 Pin Terminal Strip Underside of Power Supply Chassis
8	Gray	Pin #1 of 8 Pin Terminal Strip Underside of Power Supply Chassis
9	Brown	Pin #8 of 8 Terminal Strip Underside of Power Supply Chassis
10	Black	Pin #9 Tremolo Plug
11	Yellow	Pin #12 of 14 Pin Terminal Strip Underside of Power Supply Chassis
12	Blue	Pin #14 of 14 Pin Terminal Strip Underside of Power Supply Chassis

POWER SUPPLY PLUG (P601)  
(EXTERNAL CONNECTIONS)

PIN #	WIRE COLOR	TERMINATION
1	Blue	Component & Switch Panel #1 Behind Reiterate Switch
2	Red	Component & Switch Panel #6 Behind Brilliance Tab
3	Black	Pin #1 Percussion Board
4	Brown	Pilot Light
5	Black	Tremolo Plug Pin #3
6	White/Red	Pin #12 Percussion Board
7	Brown	Pilot Light
8	Gray	Pin #2 Tremolo Plug
9	Brown	Pin #4 Tremolo Plug
10	Gray	Generator AC Panel
11	Yellow	Generator AC Panel
12	Blue	Generator AC Panel

J602 TONE CABINET PLUG  
(INTERNAL CONNECTIONS)

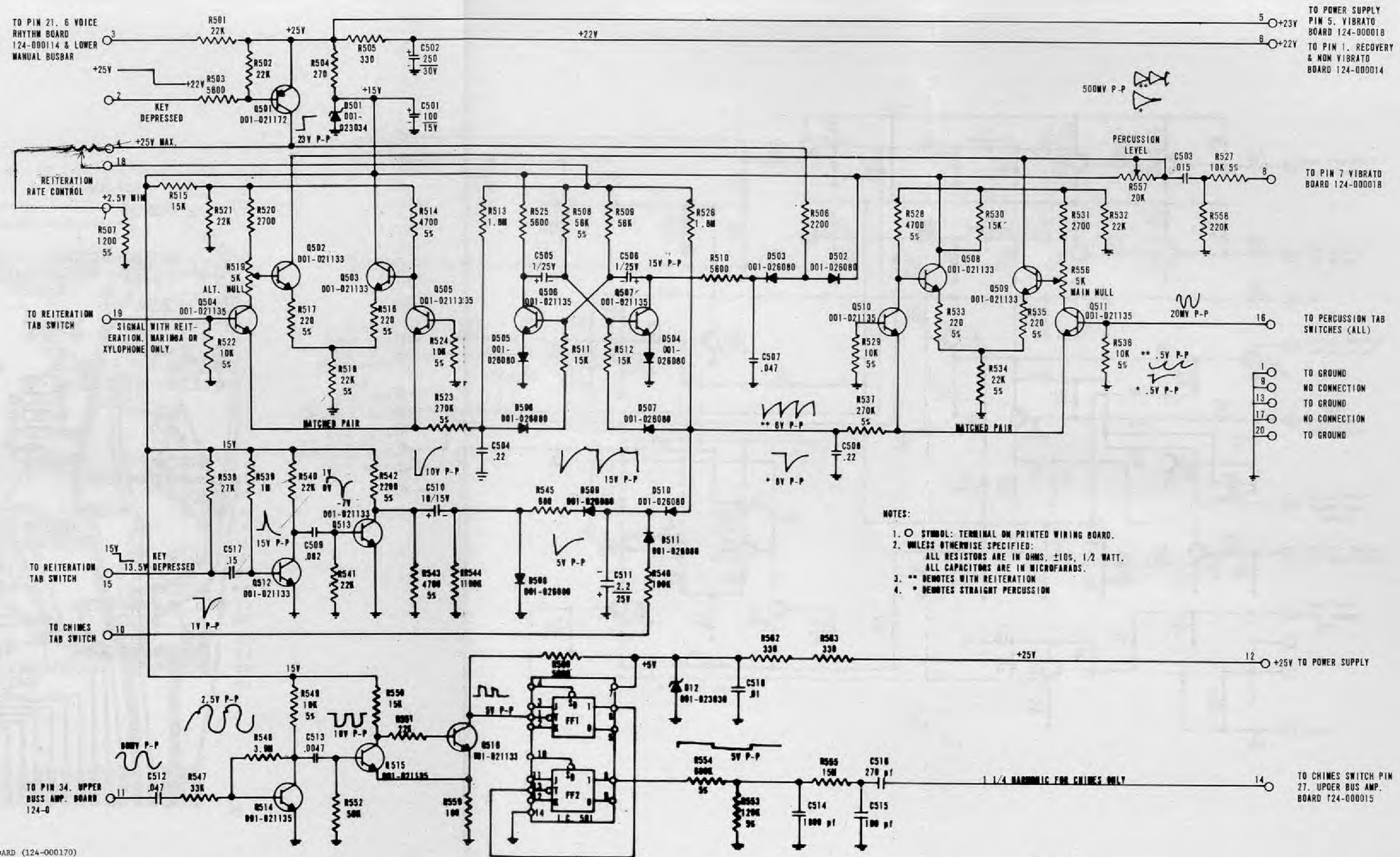
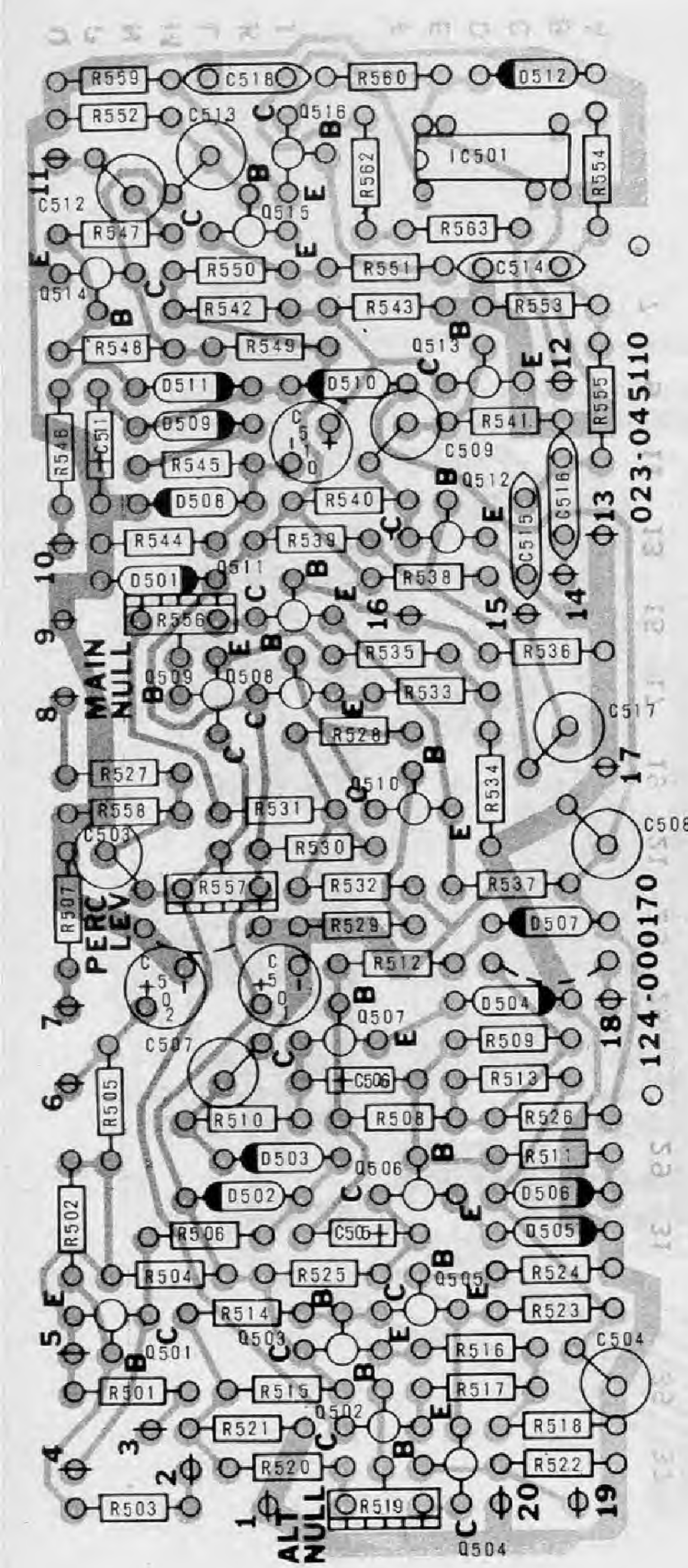
PIN #	WIRE COLOR	TERMINATION
1	Black	Pin #3 of J601 Plug
2	Black	Ground Lug on Chassis
3	Green	Pin #1 Tremolo Control Plug
4	N/C	
5	White/Green	Pin #4 Tremolo Control Plug
6	N/C	
7	Brown	Pin #6 Tremolo Control Plug
8	Red	Pin #3 Tremolo Control Plug
9	Yellow	Pin #12 of 14 Pin Terminal Strip Under Side of Power Supply
10	Black	Common Terminal Tremolo Relay
11	Black	Pin #10 of J601 Plug
12	Black	Pin #11 of 14 Pin Terminal Strip Under Side of Power Supply

POWER SUPPLY 10 LUG TERMINAL STRIP (TOP SIDE)  
LEFT HAND SIDE (VIEWED FROM REAR OF CONSOLE)

TERMINAL #	WIRE COLOR	TERMINATION
1	Red	From Anode D606 to 1.5 Amp Fuse to Pin #1 Right Hand 10 Lug Terminal Strip
2	Red	From Anode D605 to 1.5 Amp Fuse to Pin #2 Right Hand 10 Lug Terminal Strip
3	Orange	+15V. D.C. from C617
4	Orange	Pin #2 Power & Reverberation Board
5	Orange	Pin #7 Pedal Divider & Filter Board
6	Red	Pin #10 Pedal Keyer Board #1
7	Red	Pin #1 Auto Chord Board
8	N/C	
9	Black	Chassis Ground Lug
10	Black	Swell Pedal
11	Black	Ground Lug Back Left Side Upper Manual
12	N/C	
13	Blue	Pin #1 Rhythm III Plug
14	White/Orange	C616 +25V.
15	White/Brown	Fuse
16	White/Brown	Terminal #6 of 14 Pin Terminal Strip
17	N/C	

POWER SUPPLY 10 LUG TERMINAL STRIP (TOP SIDE)  
RIGHT HAND SIDE (VIEWED FROM REAR OF CONSOLE)

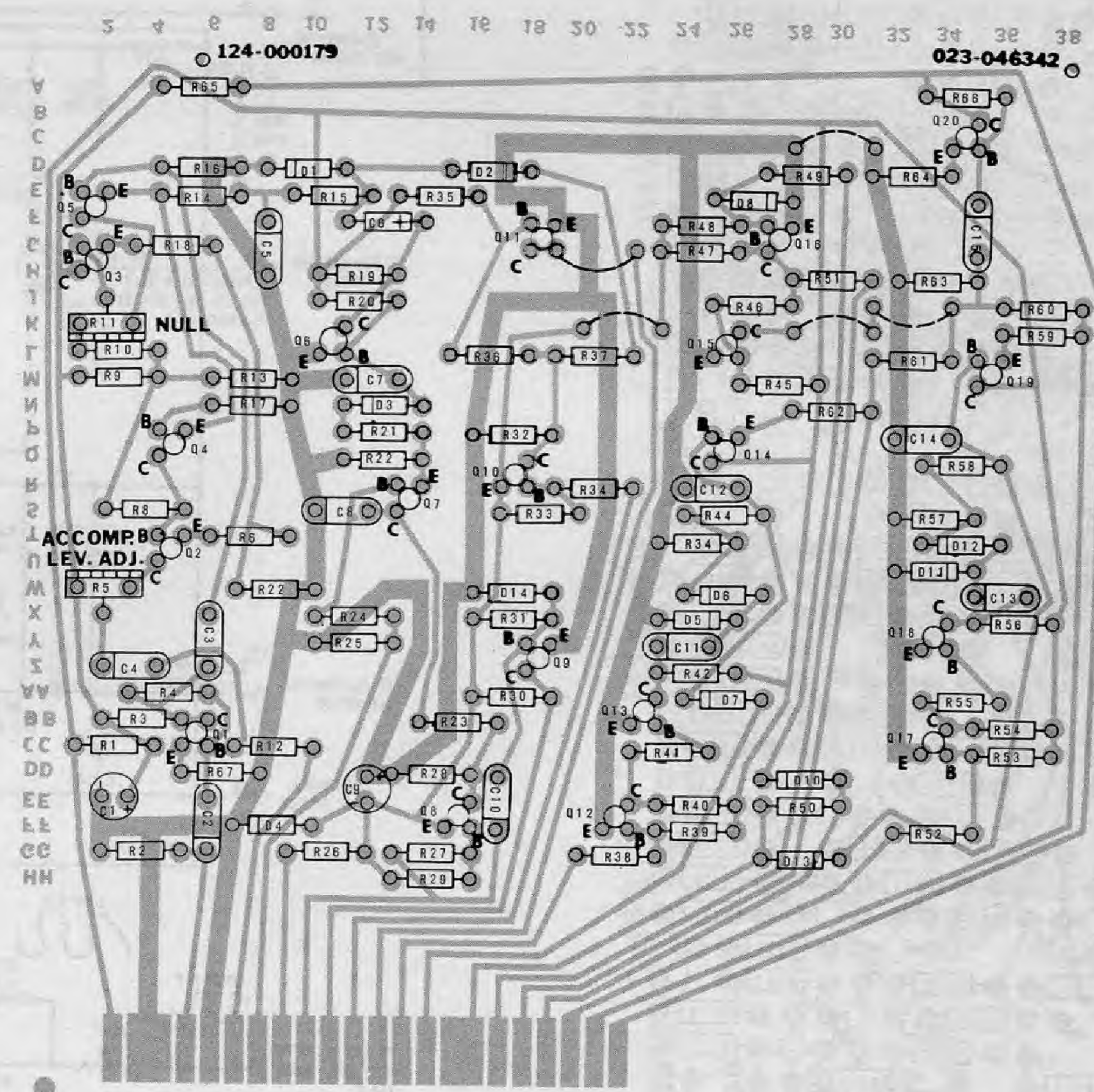
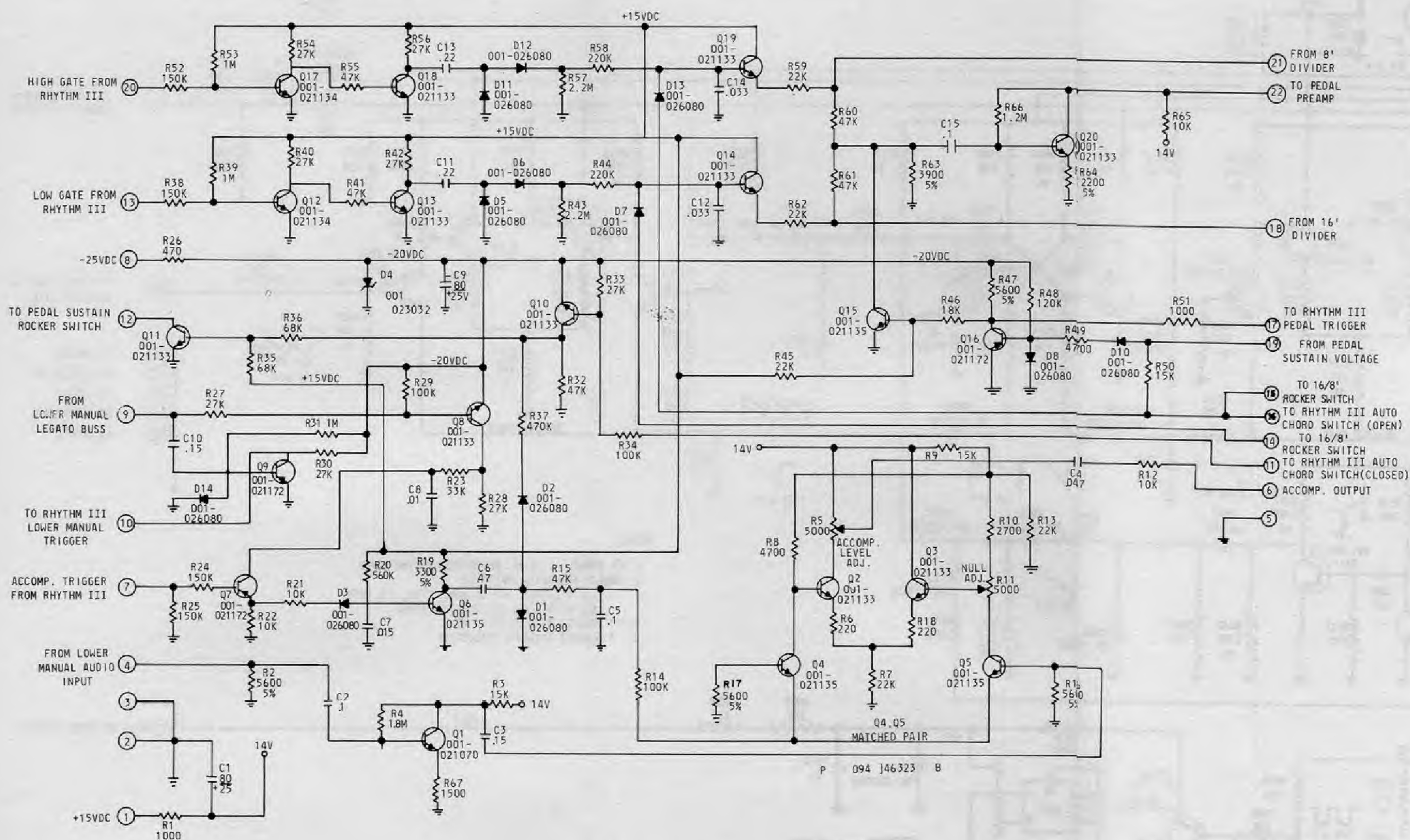
TERMINAL #	WIRE COLOR	TERMINATION
1	Red	Power Transformer
2	Red	Fuse 1.5A to Terminal #1 of Left Hand Strip
3	Red	Power Transformer
4	Red	Fuse 1.5A to Terminal #2 of Left Hand Strip
5	Brown	Terminal #6 of 14 Terminal Strip
6	White	Expression Pedal
7	N/C	
8	Violet	To C615 -25V D.C.
9	Orange	To Cassette
10	Orange	To Pin #8 of Auto Chord
11	Brown	Terminal #7 of 7 Terminal Strip
12	Black	Expression Pedal
13	N/C	
14	Gray	Tremolo Relay & Cathode of D-607
15	Gray	Lower Left Hand Endblock
16	White/Brown	Power Transformer
17	White/Brown	Fuse (.5A) to Terminal #9 of Left Hand 10 Terminal Strip
18	N/C	



PERCUSSION BOARD (124-000170)

PIN #	WIRE COLOR	TERMINATION
1	Black	Pin #3 of J601
2	Red	Reiterate Switch
3	N/C	
4	Yellow	Reiteration Rate Control Pot
5	Red	Tie Terminal Behind Brilliance Tab
6	Red	Pin #5 Vibrato Board
7	Yellow	Pin #1 Recovery & Non-Vibrato Board
8	Violet	Reiteration Rate Control Pot
9	Violet	Pin #7 Vibrato Board
10	N/C	
11	Gray	Chimes Switch
12	Brown	Pin #34 Upper Manual Bus Amplifier Board
13	White/Red	Pin #6 of J601 in Power Supply
14	Black	Grounding Lug Back of Upper Manual
15	Orange	Chimes Switch
16	White	Reiterate Switch
17	Clear	Banjo Switch, Lower Contact
18	Shield	Banjo Switch, Upper Contact
19	N/C	
20	White	Reiteration Rate Control Pot
	Clear	Reiteration Switch, Lower Contact
	Shield	Reiteration Switch, Cut Off

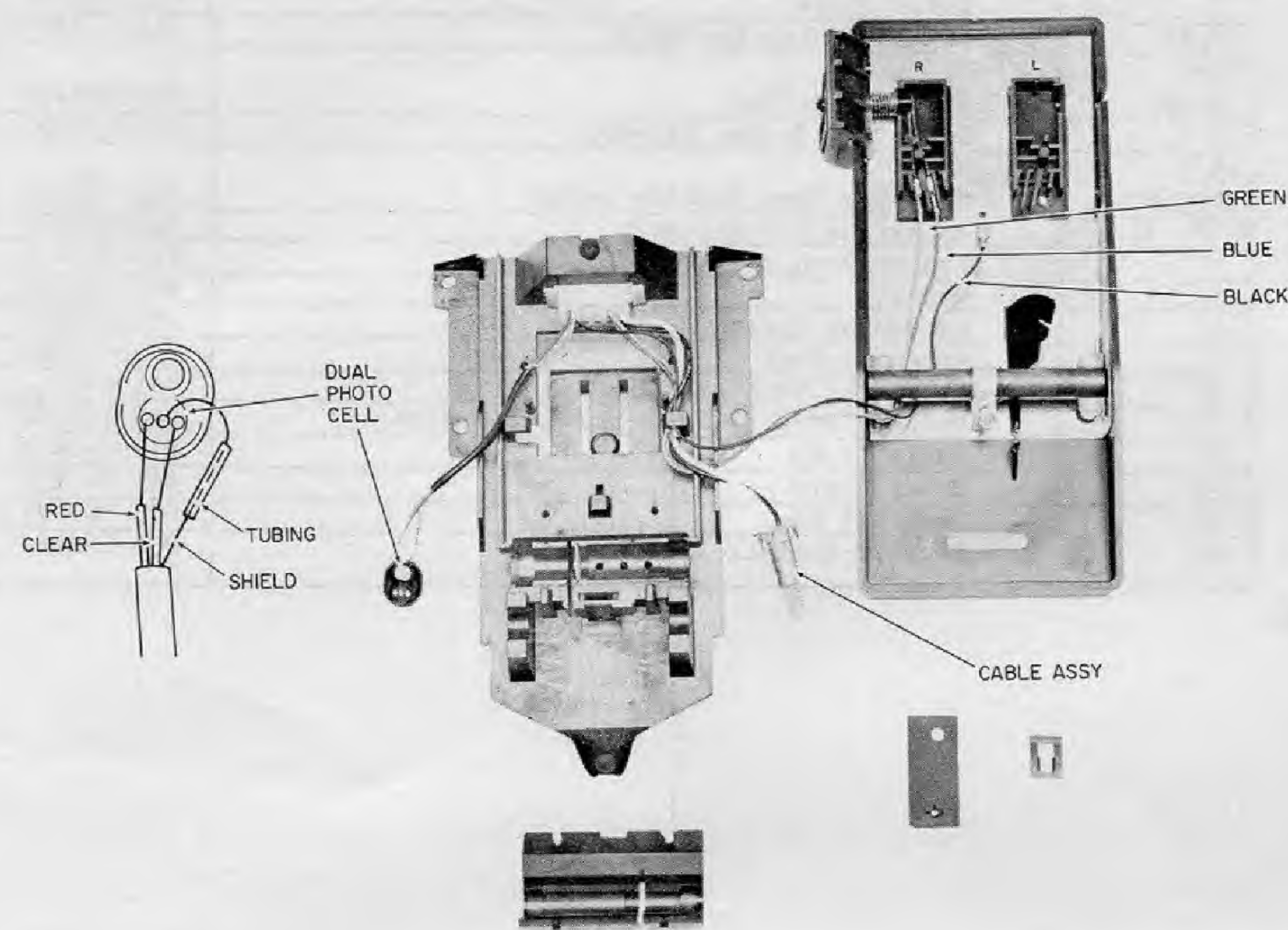
FIGURE 5-10  
PERCUSSION BOARD 124-000170,  
LAYOUT & SCHEMATIC



AUTO CHORD BOARD (124-000179)

PIN #	WIRE COLOR	TERMINATION	PIN #	WIRE COLOR	TERMINATION
1	Red	Pin #4 left hand 10 lug terminal strip top of power supply chassis +15 V D.C.	11	Blue	Pin #4, P5 Rhythm Plug
2	Black	Ground lug back of Upper Manual	12	White/Blue	Lower Manual left hand endblock, pedal
3	N/C		13	Gray	16'/8' rocker tab.
4	Clear	Cable "A" Switch Panel & Components Board #1 Contact of Lower Manual Tonebars Tab Switch	14	White	Pin #6, P5 Rhythm Plug
	Shield	Lower Manual Ensemble 8 Switch Contact	15	White/Black	Lower Manual left hand endblock, pedal
5	Shield	Cable "E" Switch Panel & Components Board #1 junction shield cable & 4.7 K	16	White/Black	16'/8' rocker tab.
6	Clear	Pin #10, P5 Rhythm Plug	17	White/Brown	Pin #5, J5 Rhythm Plug
7	Yellow	Pin #6 right hand 10 lug terminal strip top of power supply chassis.	18	White/Red	Pin #7, J5 Rhythm Plug
8	Orange	Lower Manual Brush Keying Bus	19	White/Violet	Pin #11, Pedal Filter & Divider Board
9	Brown	Pin #6, P5 Rhythm Plug	20	White/Orange	Pedal Keyer Board #1 Pin #8
10	Green		21	White/Yellow	Pin #9, J5 Rhythm Plug
			22	Clear	Pin #12 Pedal Filter & Divider Board
				Shield	Pin #2 Pedal Filter & Divider Board
					Pin #6 Pedal Filter & Divider Board

FIGURE 5-11  
AUTO CHORD  
BOARD 124-000179,  
LAYOUT & SCHEMATIC



EXPRESSION PEDAL (123-000061)  
INTERNAL CONNECTIONS

PIN #	WIRE COLOR	TERMINATION
1	Red	Dual Photo Cell Cable
2	Bare	
3	Clear	
4	N/C	Foot Switch Right Side
5	N/C	
6	N/C	
7	N/C	Expression Pedal Lamp
8	N/C	
9	N/C	
10	Green	Expression Pedal Lamp
11	Blue	
12	N/C	
13	N/C	Expression Pedal Lamp
14	Black	
15	Black	

EXPRESSION PEDAL (123-000061)  
EXTERNAL CONNECTIONS

PIN #	WIRE COLOR	TERMINATION
1	Clear - Cable	Pin #10 Power & Reverb Amplifier Board
2	Shield	Common for Pins 1 & 3
3	Clear - Cable	Pin #31 Power & Reverb Amplifier Board
4	N/C	Pin #3 Plug J5 Rhythm III
5	N/C	
6	N/C	
7	N/C	Pin #7 Left Hand 10 Lug Terminal
8	N/C	
9	N/C	Strip Top of Power Supply Chassis
10	Brown	
11	Black	
12	N/C	Pin #3 of Right Hand 10 Lug Terminal
13	N/C	
14	White	Strip Top of Power Supply Chassis
15	Black	
		Pin #6 of Right Hand 10 Lug Terminal
		Strip Top of Power Supply Chassis

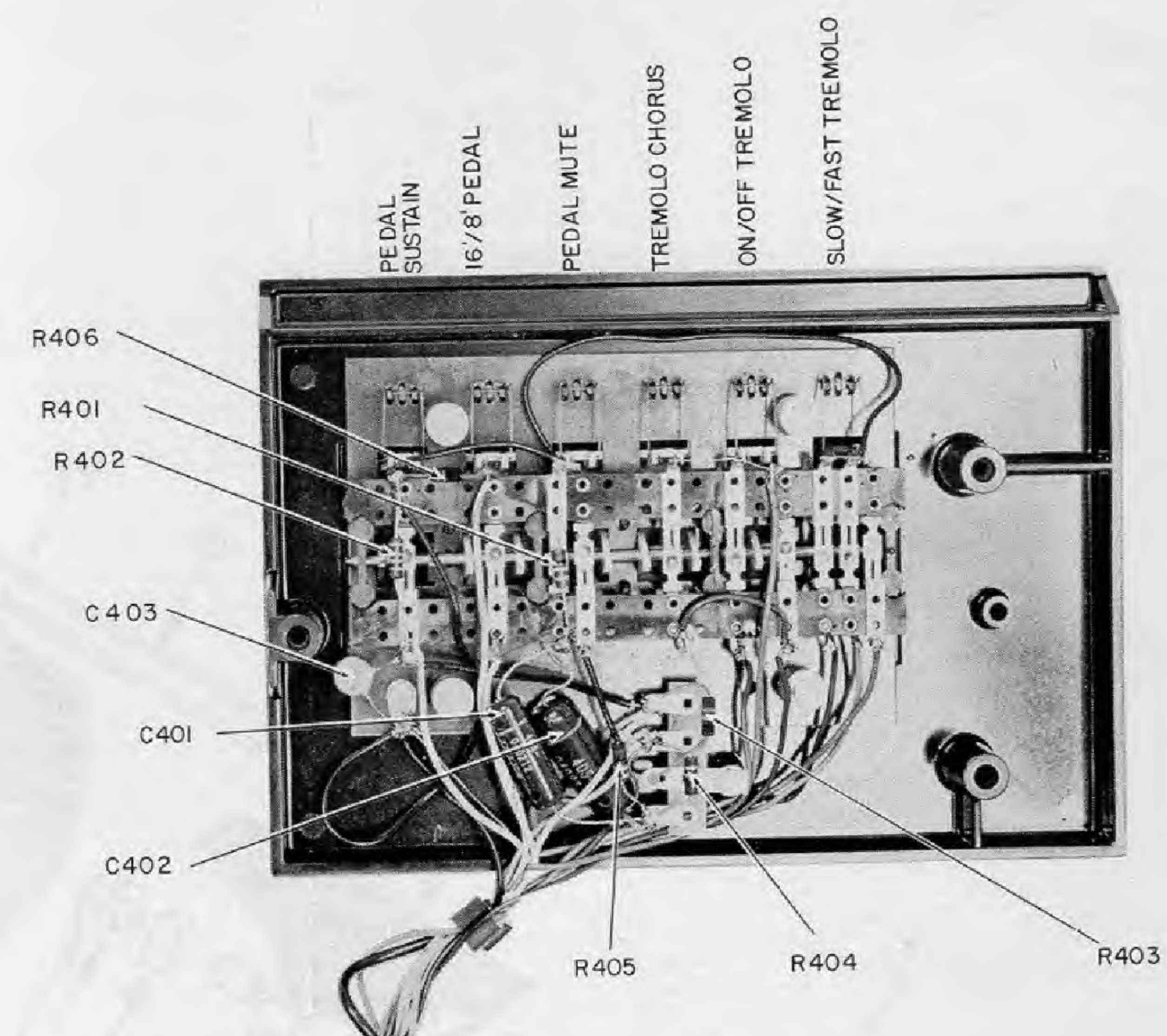


FIGURE 5-12  
SPECIAL EFFECTS END BLOCK  
125-000073, LAYOUT

FIGURE 5-13  
EXPRESSION PEDAL  
123-000061, LAYOUT

Item No.	Part Name	Part No.
1,2 27,28	Pan Head Thread Cutting Screw	907-030314
3	Cover Plate	041-042236
4,22	Brush and Lug Assembly	060-042609
5,6 21,24	#8 Keps Hex Nut	999-001264
7	Drive and Endcap Assembly	060-042601
8,9	Sems Hex Head Machine Screw	831-020314
10	Rotor and Pin Assembly	060-042597
11	Spacer Washer (Phenolic)	999-044671
12,13	Washer	999-044395
14	Grounding Spring	012-043907
15,17	Mounting Post	044-042865
16	Segmented Scanner Tube	045-042112
20	Endcap and Bearing Assembly (Stationary)	060-047300
23	Cable Clamp	013-042866
25	Cover Plate	041-042237
26	Terminal Lug	007-002974
29	Snap-On Contact (16-Used)	030-042583

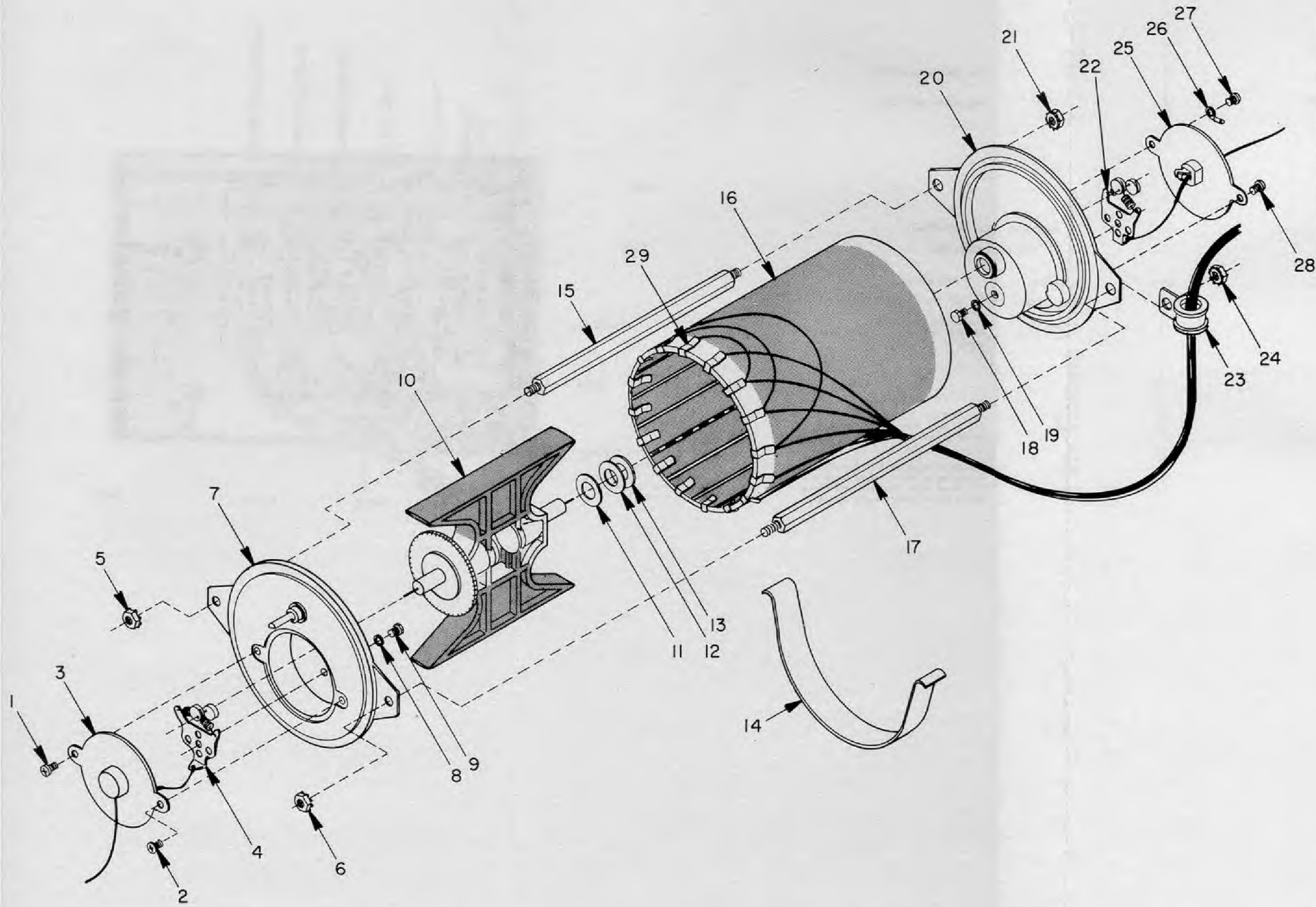
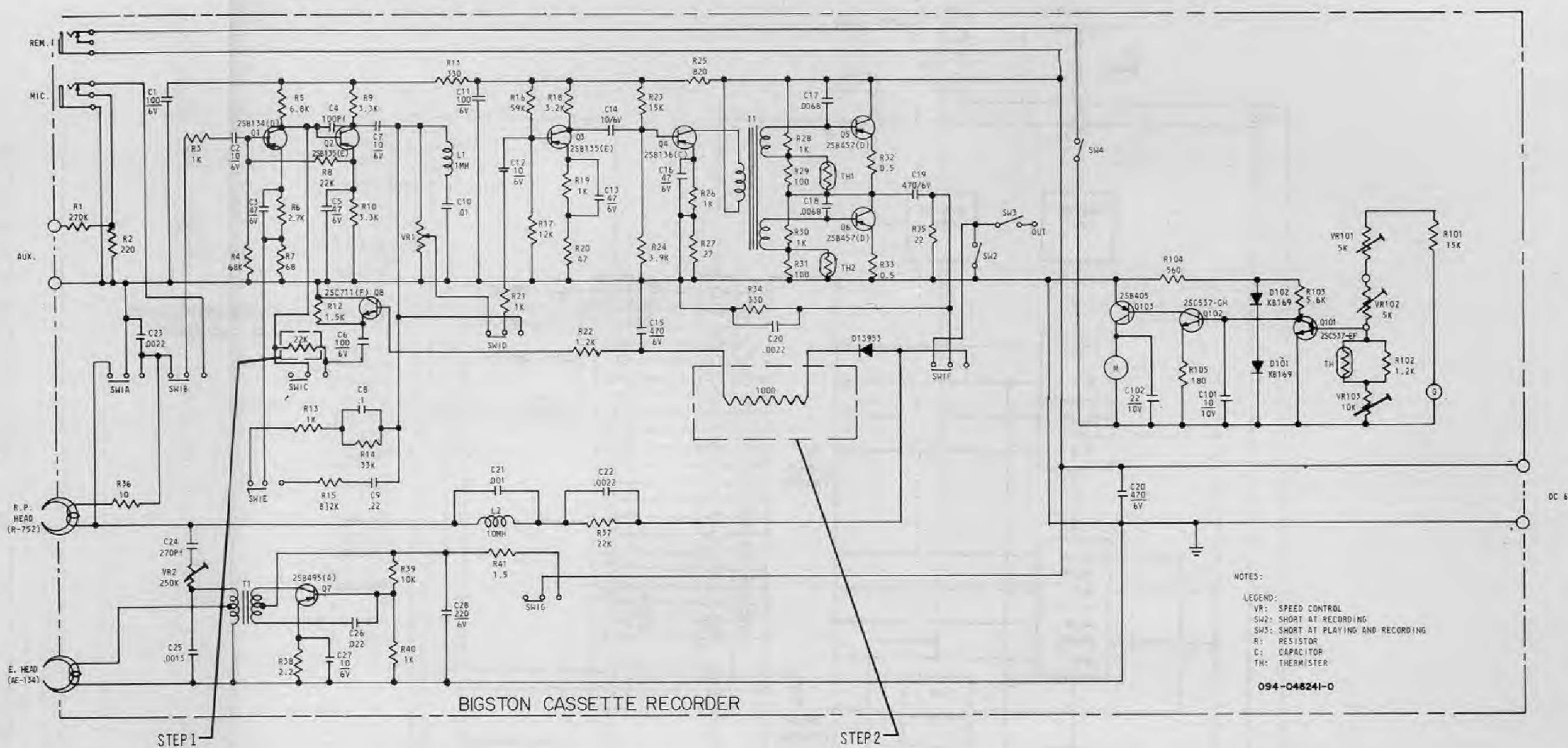
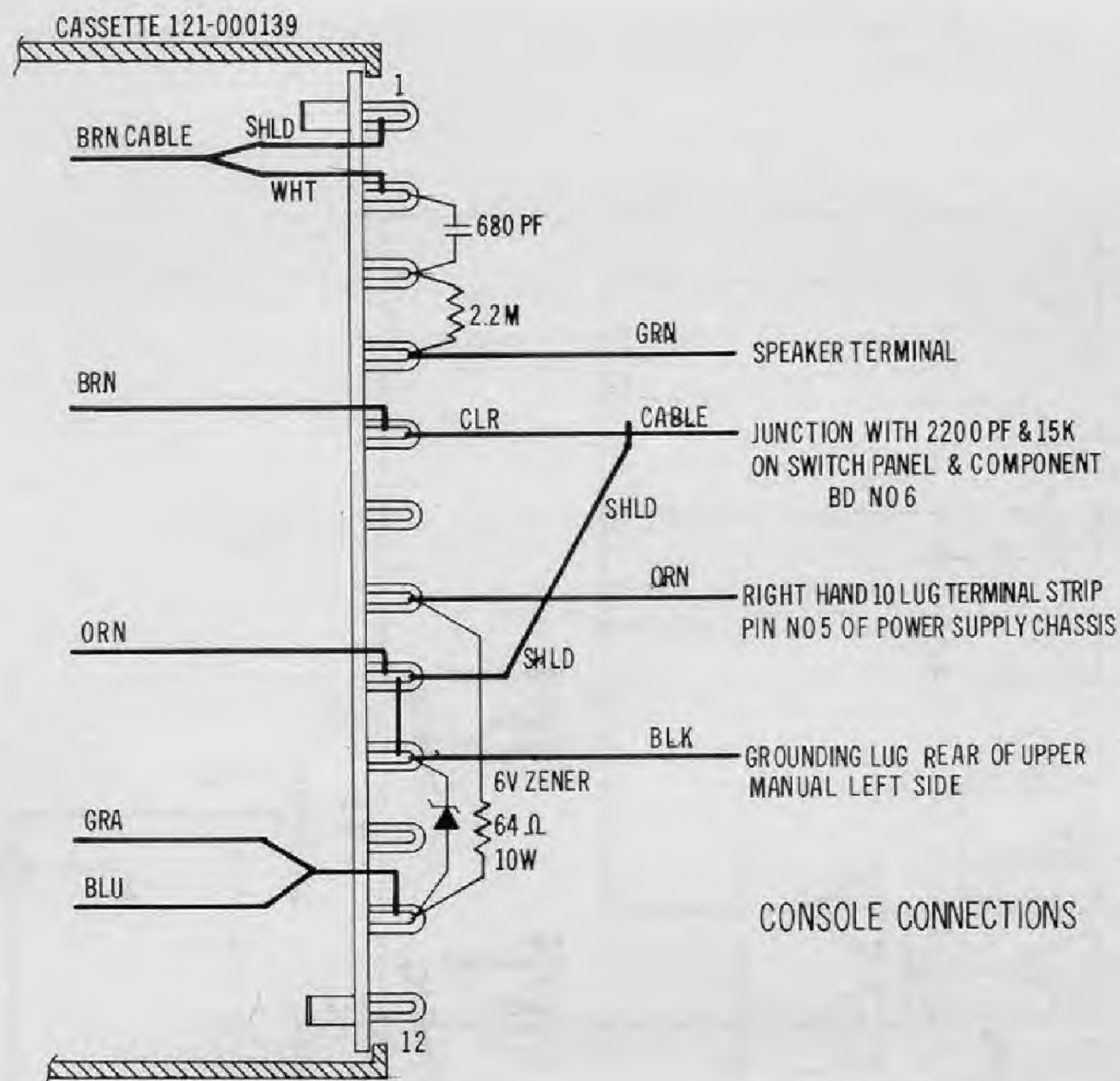


FIGURE 5-14  
DRUM SCANNER  
066-042874



NOTES:  
 LEGEND:  
 VR: SPEED CONTROL  
 SW2: SHORT AT RECORDING  
 SW3: SHORT AT PLAYING AND RECORDING  
 R: RESISTOR  
 C: CAPACITOR  
 TH: THERMISTOR  
 094-048241-0

CASSETTE RECORDER VOLUME FLUCTUATIONS

In order to correct the volume level changes which take place when recording directly from these models, we suggest making the following changes.

Refer to Figure A and Cassette Schematic.

1. Add 22K (1/2 or 1/4 watt) resistor across record terminals (one end on C6) of SW-1C to keep C6 polarized.
2. Add 100 ohm (1/2 or 1/4 watt) resistor in series with diode D1 (one end of C15) to prevent overcharging of C15 on beginning of large signals.
3. Operate each unit for 5 minutes in the record mode.
4. Test cassette by recording a high level signal for a period of one minute.

NOTE

If Large amplitude of level changes are observed, replace C6 or return cassette unit to factory for replacement.

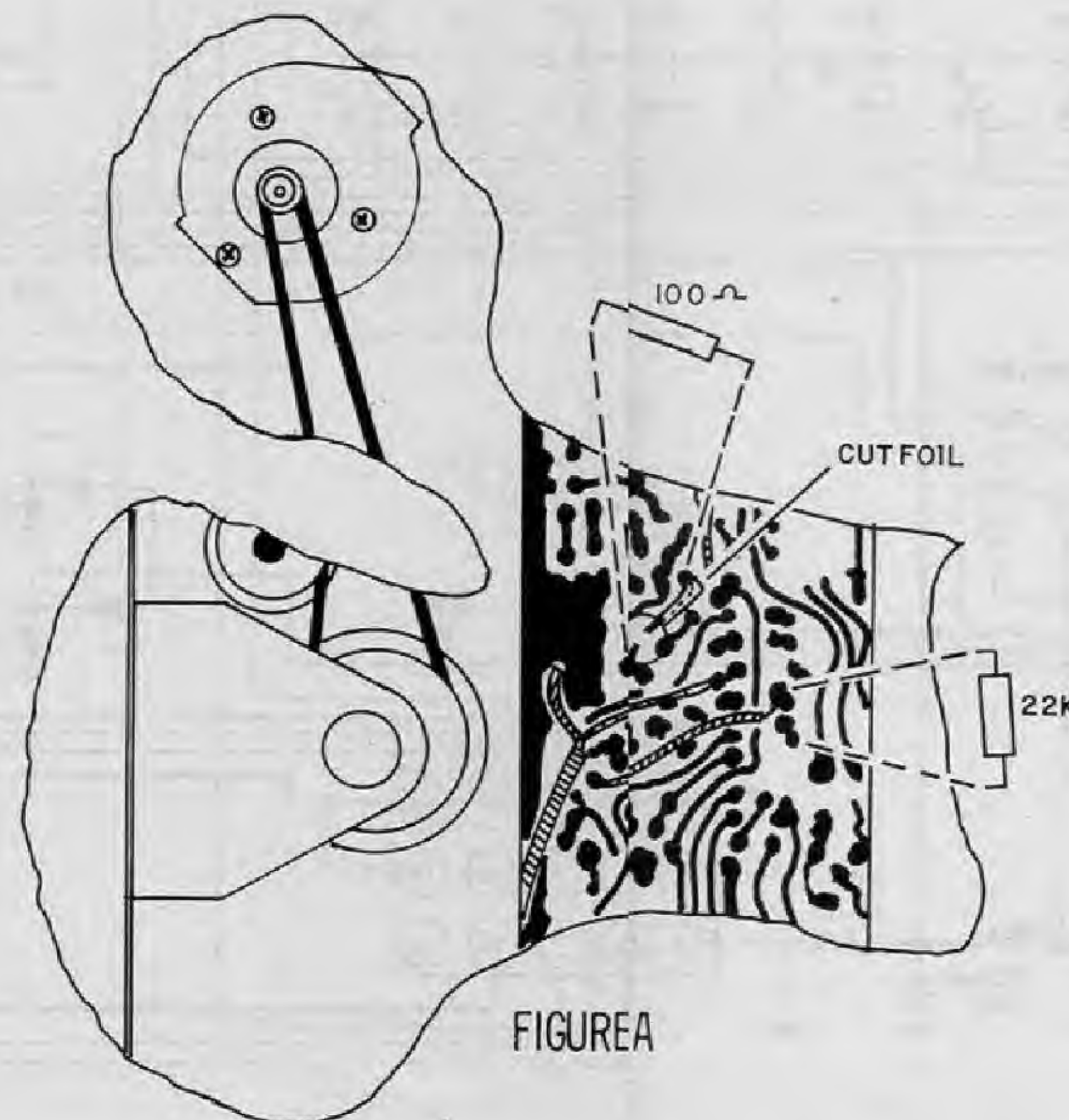
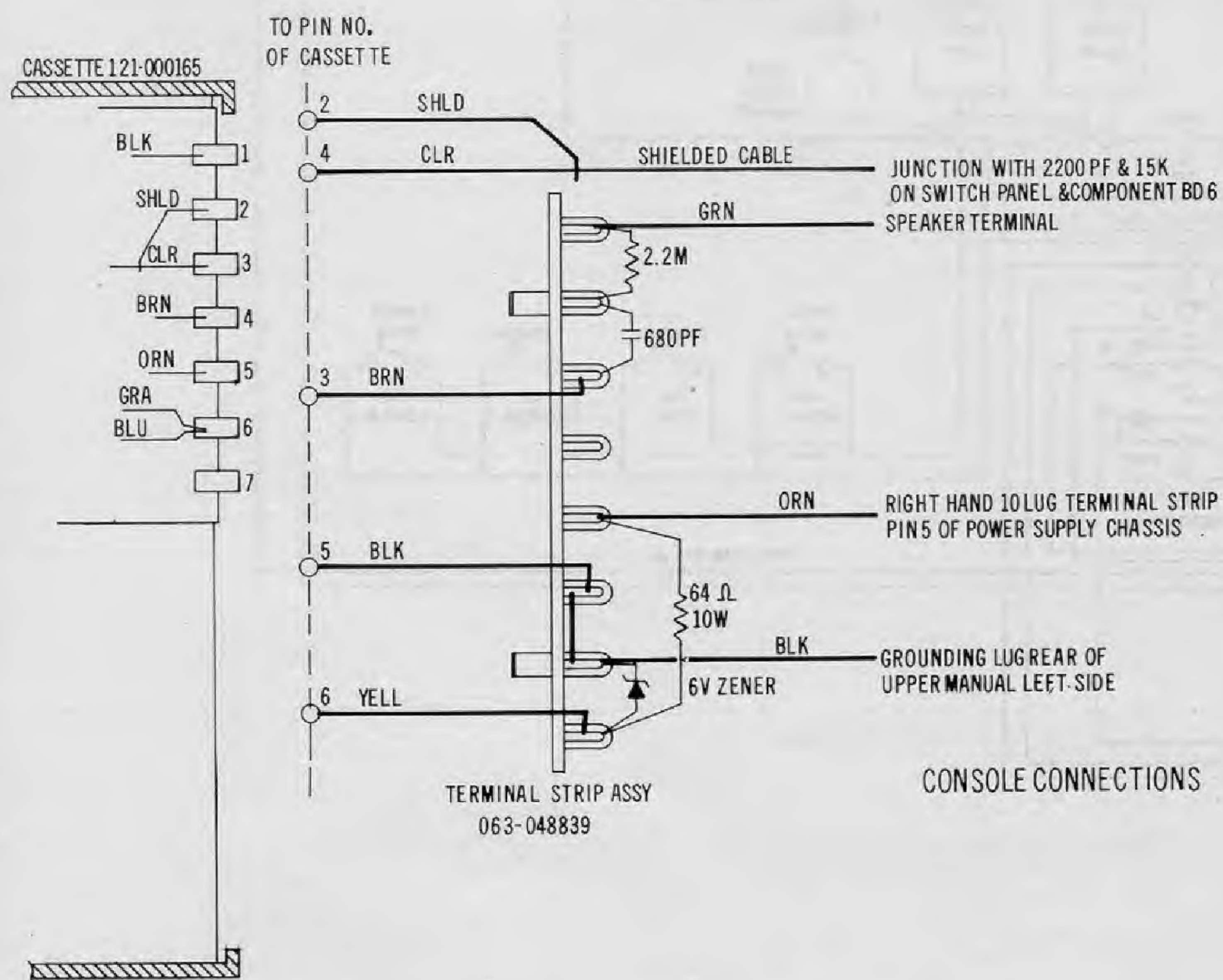


FIGURE 5-15  
 CASSETTE RECORDER ASSEMBLY  
 121-000139 & 121-000165,  
 LAYOUT & SCHEMATIC

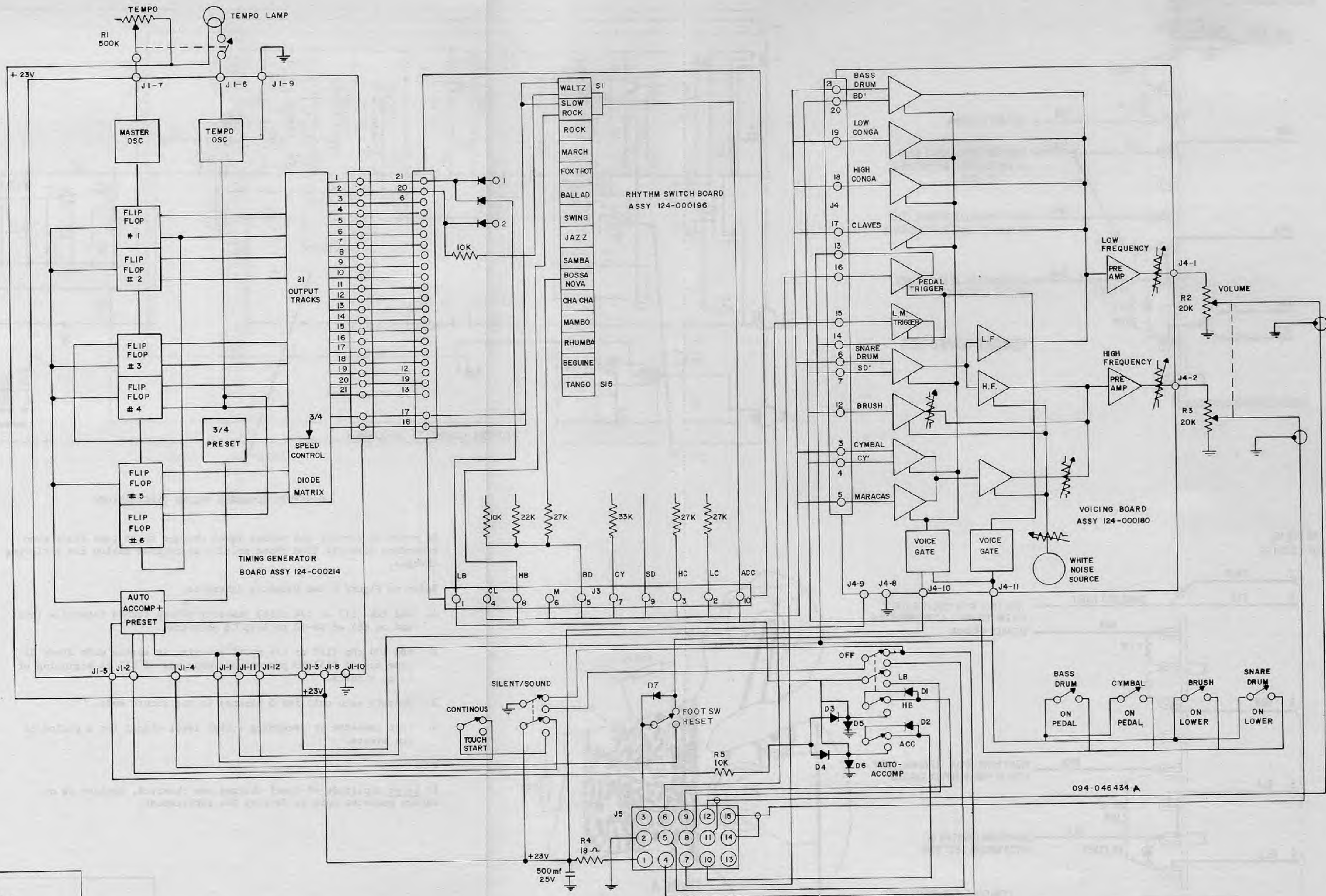


FIGURE 5-16  
RHYTHM III  
BLOCK LOGIC DIAGRAM  
125-000082



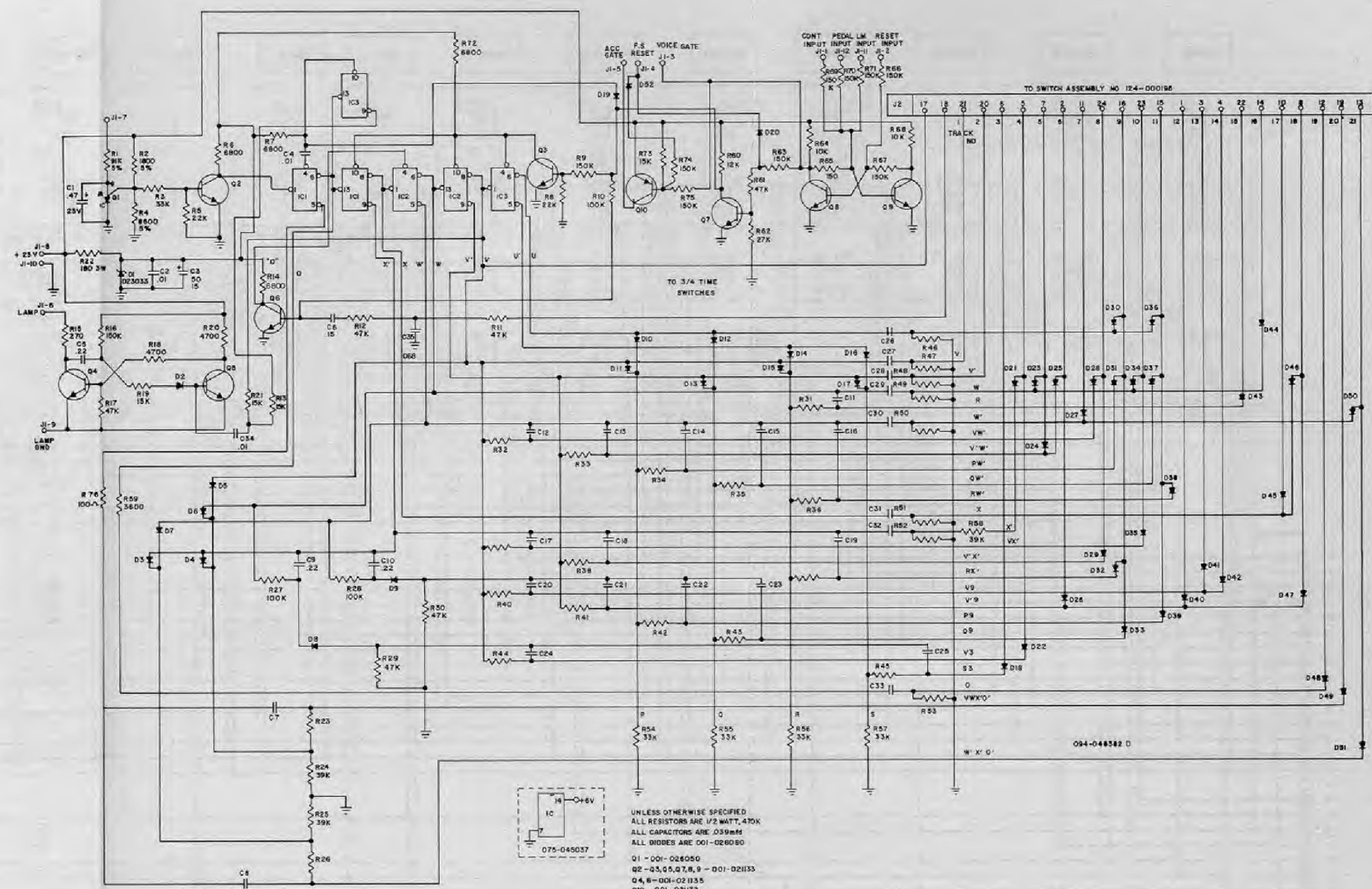
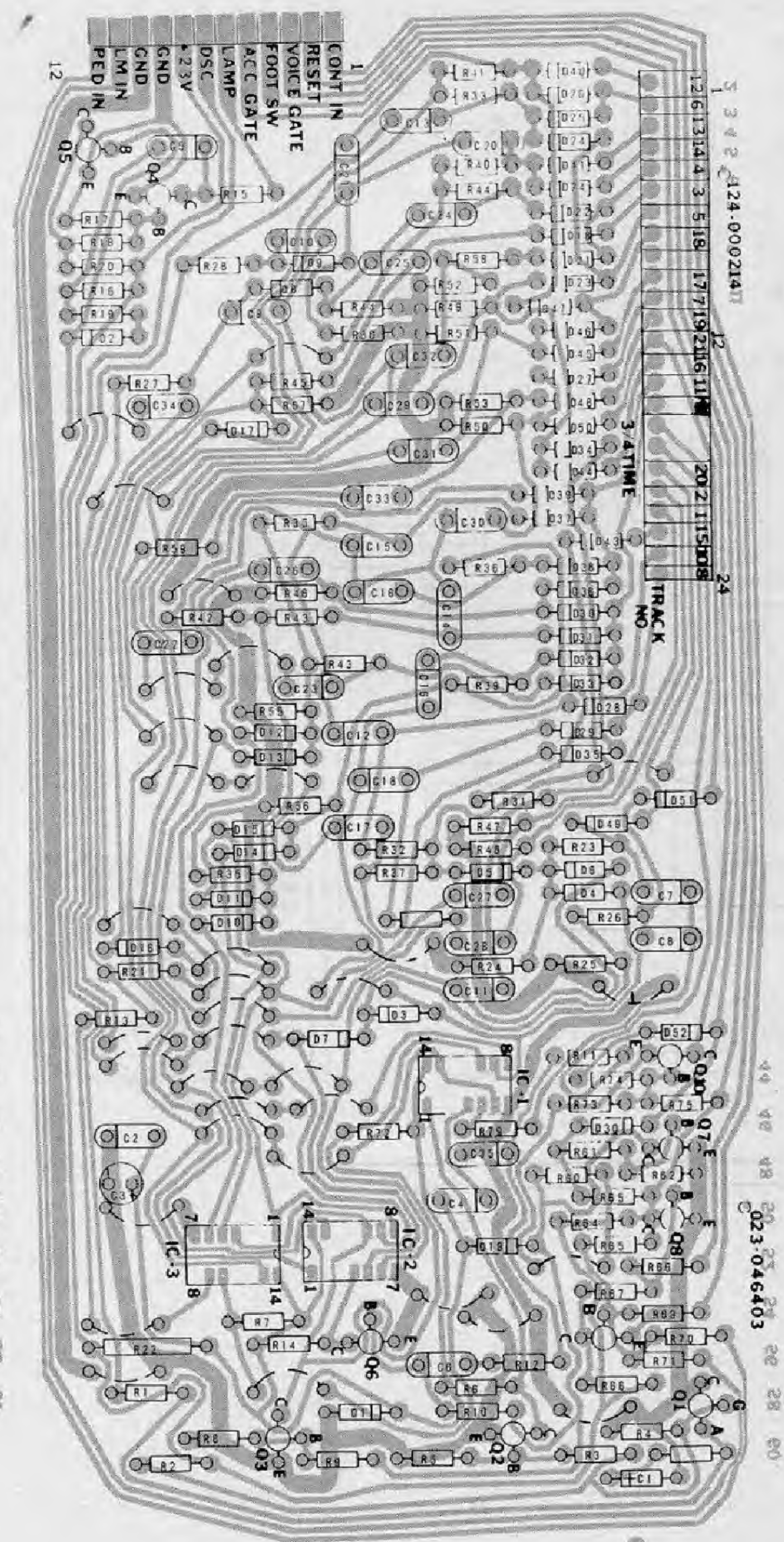
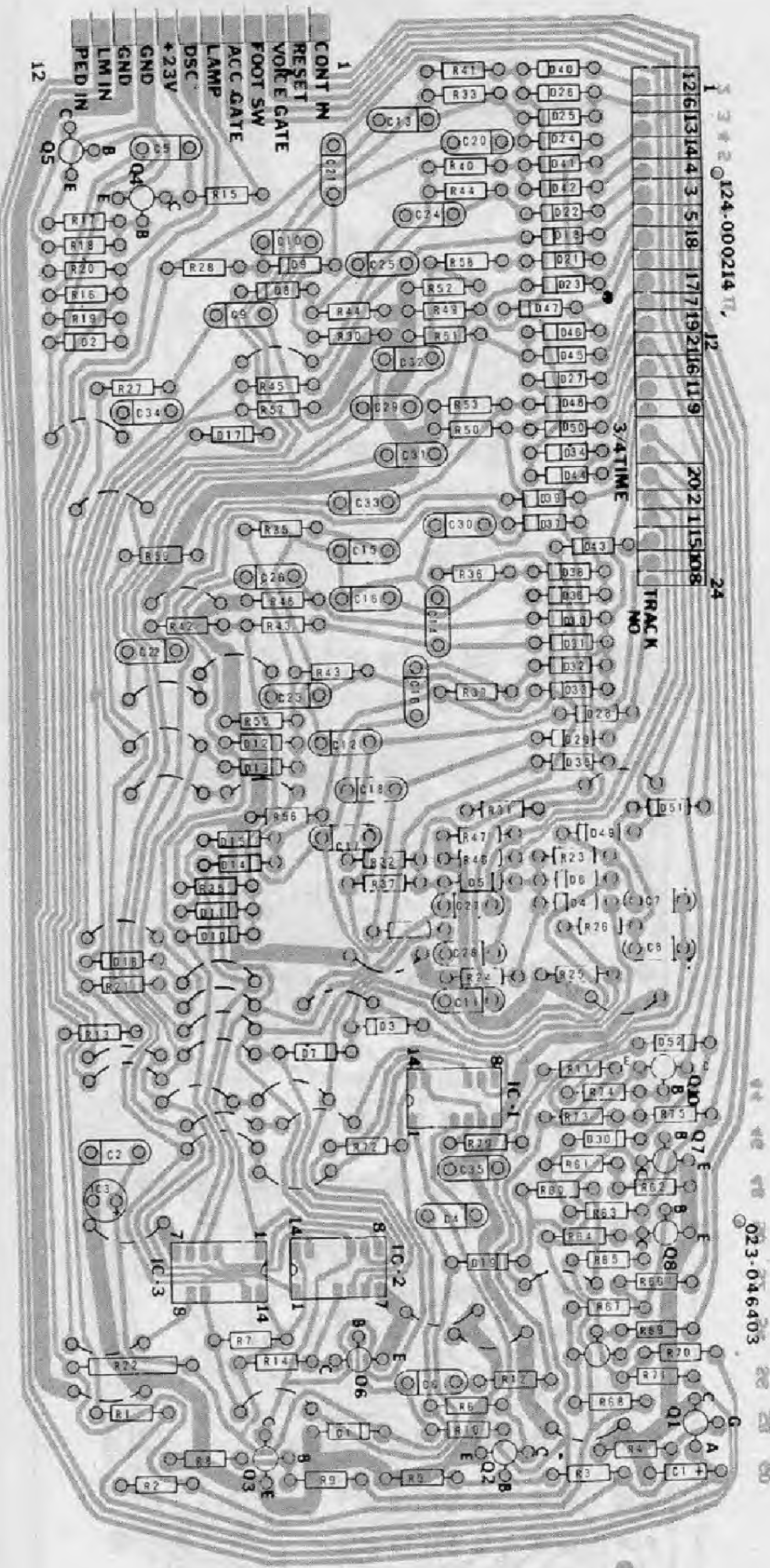


FIGURE 5-17  
RHYTHM III GENERATOR & TRACK GATE  
BOARD 124-000214,  
LAYOUT & SCHEMATIC

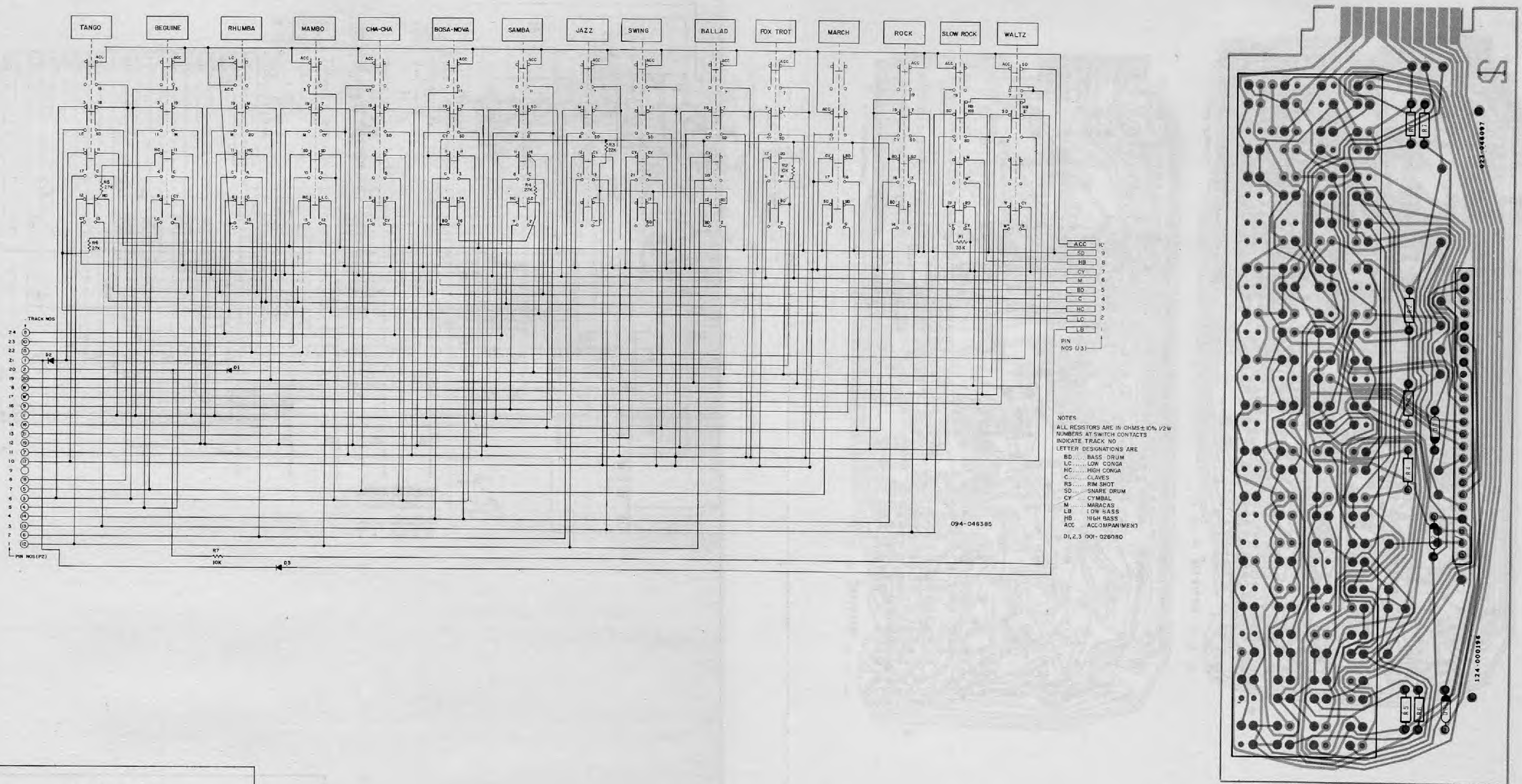


FIGURE 5-18  
 RHYTHM III SELECTOR SWITCH  
 BOARD 124-000196,  
 LAYOUT & SCHEMATIC

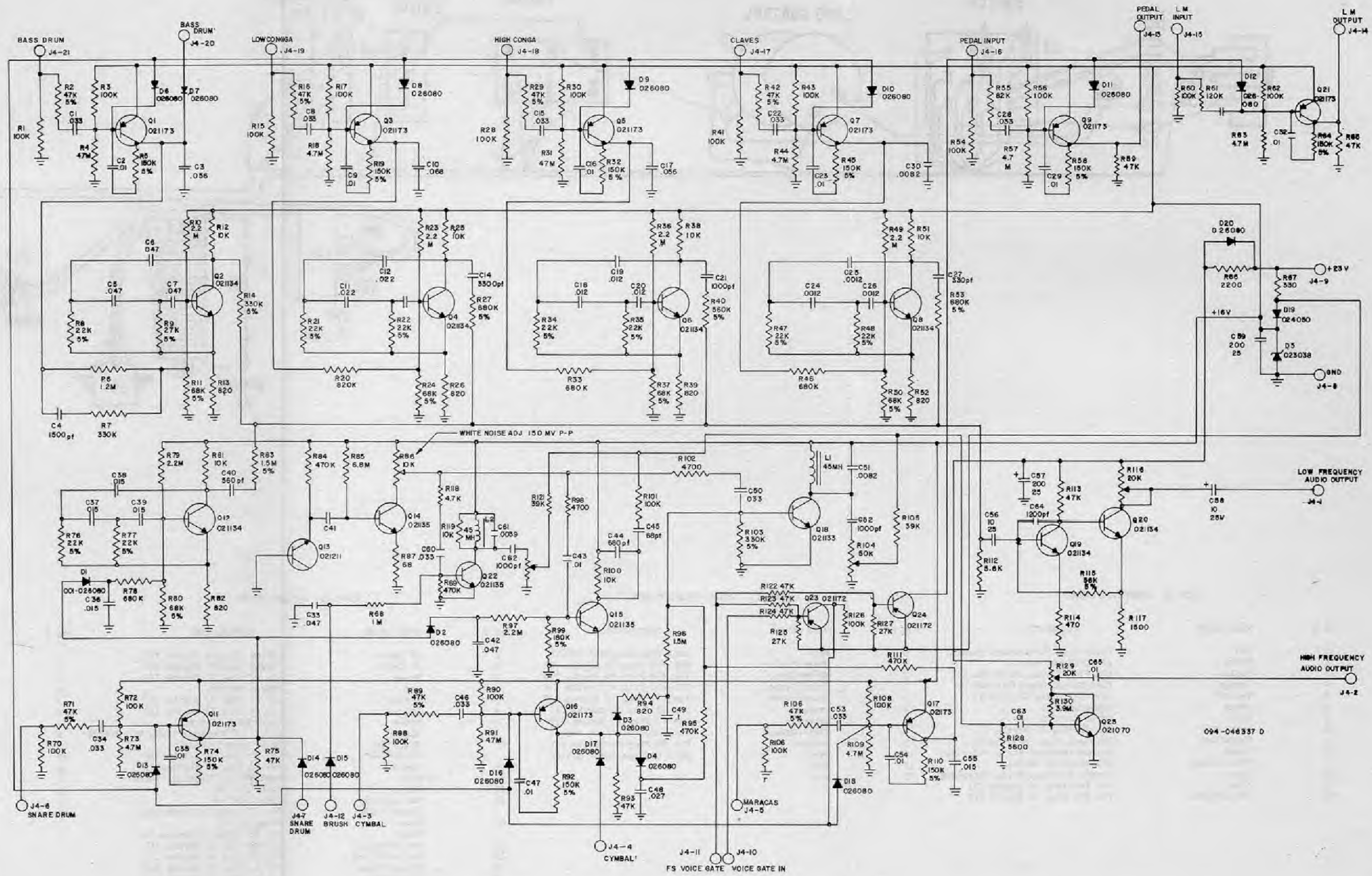
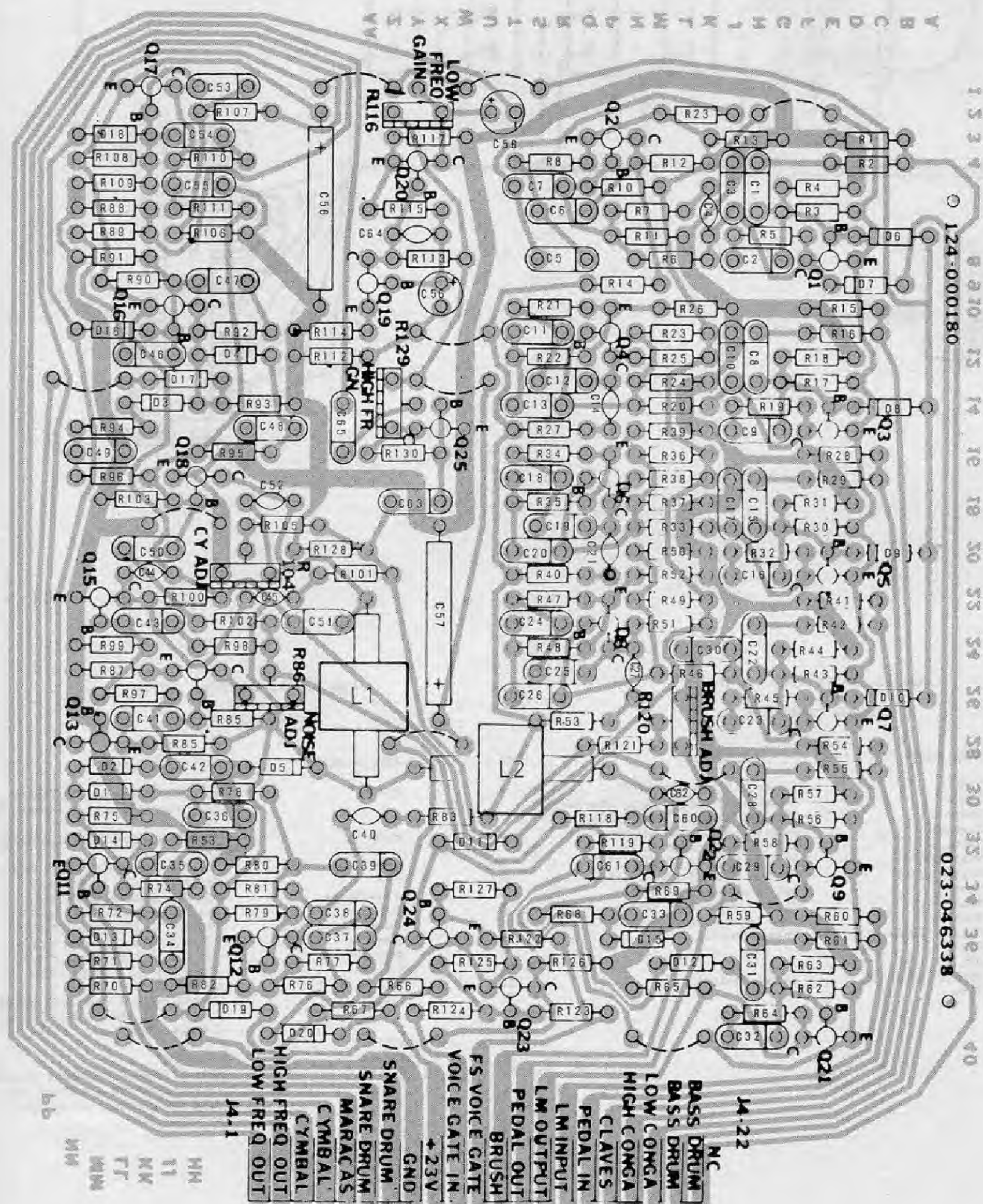
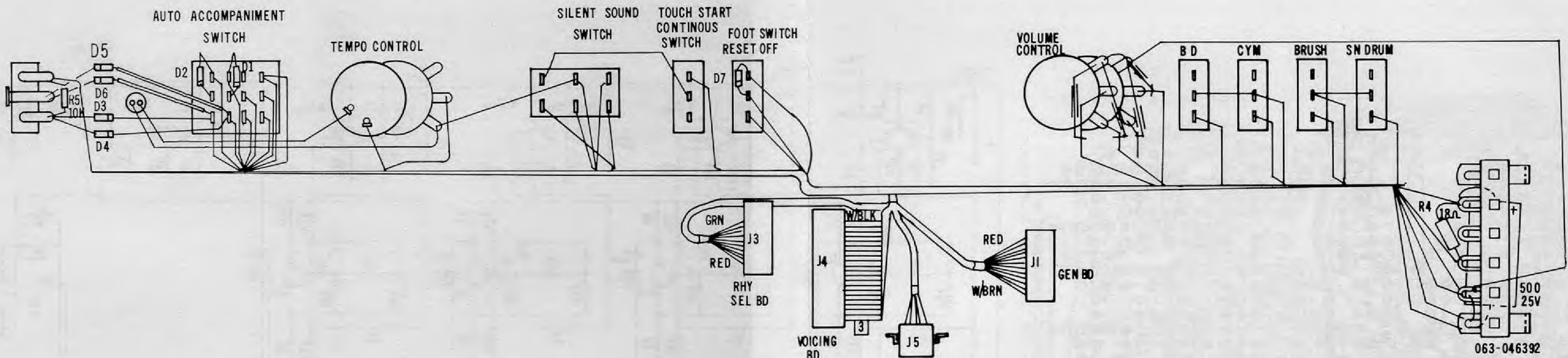


FIGURE 5-19  
RHYTHM III VOICING  
BOARD 124-000180,  
LAYOUT & SCHEMATIC



PLUG J1 GENERATOR BOARD

PLUG J3 RHYTHM SELECTOR BOARD

PLUG J4 VOICING BOARD

PLUG J5 RHYTHM INPUT - OUTPUT

PLUG J5 RHYTHM INPUT - OUTPUT

PIN #	WIRE COLOR	TERMINATION
1	Red	Touch Start/Continuous Switch
2	Brown	Silent/Sound Switch
3	Violet	Pin #10 of Plug J4 Rhythm III
4	Orange	Foot Switch Reset/Off Switch
5	Yellow	Terminal Strip 063-046392
6	Green	Tempo Control
7	Gray	Tempo Control
8	White/Red	Pin #9 Plug J4 Rhythm III
9	White/Red	Terminal Strip 063-046392
10	Black	Ground Terminal Strip 063-046392
11	Black	Silent/Sound Switch
12	Blue	Ground Terminal Strip 063-046392
13	White/Brown	Pin #14 Plug J4 Rhythm III
14	White/Brown	Pin #13 Plug J4 Rhythm III

PIN #	WIRE COLOR	TERMINATION
1	Red	Auto Accompaniment Switch
2	White/Violet	Pin #19 Plug J4 Rhythm III
3	White/Blue	Pin #18 Plug J4 Rhythm III
4	White/Green	Pin #17 Plug J4 Rhythm III
5	White/Black	Pin #21 Plug J4 Rhythm III
6	Orange	Pin #5 Plug J4 Rhythm III
7	Brown	Pin #3 Plug J4 Rhythm III
8	White/Orange	Auto Accompaniment Switch
9	Yellow	Pin #6 Plug J4 Rhythm III
10	Gray	Auto Accompaniment Switch
11	N/C	
12	N/C	

PIN #	WIRE COLOR	TERMINATION
1	#3 Cable	Volume Control Rhythm III
2	#4 Cable	Volume Control Rhythm III
3	Brown	Pin #7 Plug J3 Rhythm III
4	Red	Cymbal Switch
5	Orange	Pin #6 Plug J3 Rhythm III
6	Yellow	Pin #9 Plug J3 Rhythm III
7	Green	Snare Drum Switch
8	Black	Ground of Terminal Strip 063-046392
9	White/Red	Silent/Sound Switch
10	White/Red	Pin #8 Plug J1 Rhythm III
11	Violet	Pin #3 Plug J1 Rhythm III
12	Gray	Foot Switch Reset/Off Switch
13	White	Brush Switch
14	White/Brown	Cymbal Switch
15	White/Brown	Pin #12 plug J1 Rhythm III
16	Blue	Brush Switch
17	Blue	Pin #11 Plug J1 Rhythm III
18	White/Orange	Pin #6 Plug J5 Rhythm III
19	White/Yellow	Pin #7 Plug J5 Rhythm III
20	White/Green	Pin #4 Plug J3 Rhythm III
21	White/Blue	Pin #3 Plug J3 Rhythm III
22	White/Violet	Pin #2 Plug J3 Rhythm III
23	White/Gray	Bass Drum Switch
24	White/Black	Pin #5 Plug J3 Rhythm III
25	N/C	

INTERNAL CONNECTIONS

PIN #	WIRE COLOR	TERMINATION
1	Red	Terminal Strip 063-046392
2	Black	Ground of Terminal Strip 063-046392
3	White	Foot Switch Reset/Off Switch
4	Orange	Auto Accompaniment Switch
5	Brown	Auto Accompaniment Switch
6	White/Orange	Pin #15 Plug J4 Rhythm III
7	White/Yellow	Pin #16 Plug J4 Rhythm III
8	Green	Auto Accompaniment Switch
9	Blue	Auto Accompaniment Switch
10	Violet	Auto Accompaniment Switch
11	Shield Cable #1	Volume Control
12	Clear	
13	N/C	
14	Shield Cable #2	Volume Control
15	Clear	

EXTERNAL CONNECTIONS

PIN #	WIRE COLOR	TERMINATION
1	Blue	Top of Power Supply Assembly
2	Black	Left Hand Terminal Strip Pin #8, +25V D.C.
3	Black	Tone Wheel Generator Grounding Lug
4	Brown	Pin #10 Expression Pedal Plug
5	Blue	Pin #11 of Auto Chord Board
6	White/Black	Pin #16 of Auto Chord Board
7	Green	Pin #10 of Auto Chord Board
8	White/Brown	Pin #17 of Auto Chord Board
9	Gray	Pin #13 of Auto Chord Board
10	White/Orange	Pin #20 of Auto Chord Board
11	Yellow	Pin #7 of Auto Chord Board
12	Shield	Cable "L"
13	Clear	Switch Panel & Component Assembly #6
14	Open End of 18K between Reverb II & Volume Soft	
15	N/C	
16	Shield	Cable "H"
17	Clear	Switch Panel & Component Assembly #6
18		Junction of 15K and White Wire from Switch Panel & Component Assembly #5

FIGURE 5-20  
RHYTHM III CABLE ASSEMBLY  
011-046388

PATTERNS NAMES	RHYTHM VOICES ASSIGNED	TRACK NUMBERS (1-21)	BEAT/TWO MEASURES								AUTOCHORD TRACK NOS				
			1	2	3	4	1	2	3	4	LO	HI	ACC		
WALTZ	CY SD BD	15 2+7 (1)*											1	-	2+7
SLOW ROCK	CY CY SD BD	19(33K) 20 13 (1)*											1	13	19
SHADED AREAS ARE TIME INTERVALS SKIPPED															
ROCK	CY SD BD	19 7+13 14+16											1	2	19
BOSSA NOVA	CY CL SD BD	19 3+11 7 (1)+14 16(27K)											1	2	11+13
SAMBA	M CL SD HC LC BD	19 16 8+11 9 2 (1)*											1	2	8+11
MAMBO	M CY SD HC LC BD	19 7 3+10 15 12 (1)*											1	2	3+10
RHUMBA	M CL HC LC BD	19+20 11+15 6 8 (1)*											1	2	8
BEGUINE	M CY CL HC LC BD	19 4 11+3 4(27K) 5(27K) (1)*											1	2	3+11
CHA CHA	M CY SD LC BD	19 8 7 3+5 (1)*											1	2	8
FOX TROT	M CY SD BD	17+20 7 (1)+2(10K)											1	2	7
SWING	CY SD BD BD	16+21 7 17(22K) (1)*											1	2	7
MARCH	CY SD BD	17 5+9 (1)+16											1	2	17
BALLAD	CY SD BD	19+20 7 12+2(22K)											1	2	7
JAZZ	M CY SD BD	6 12+13 7 (1)+17(22K)											1	2	7
TANGO	CY SD CL HC LC BD	12 18 11 13 3 (1)+17(10K)											1	2	18

HC — HIGH CONGA  
LC — LOW CONGA  
RS — RIM SHOT  
C — CLAVES  
SD — SNARE DRUM  
M — MARACAS  
CY — CYMBAL  
BD — BASS DRUM

Small Dots indicate attenuated loudness.  
Bass Drum always connected to track 1 through 10K

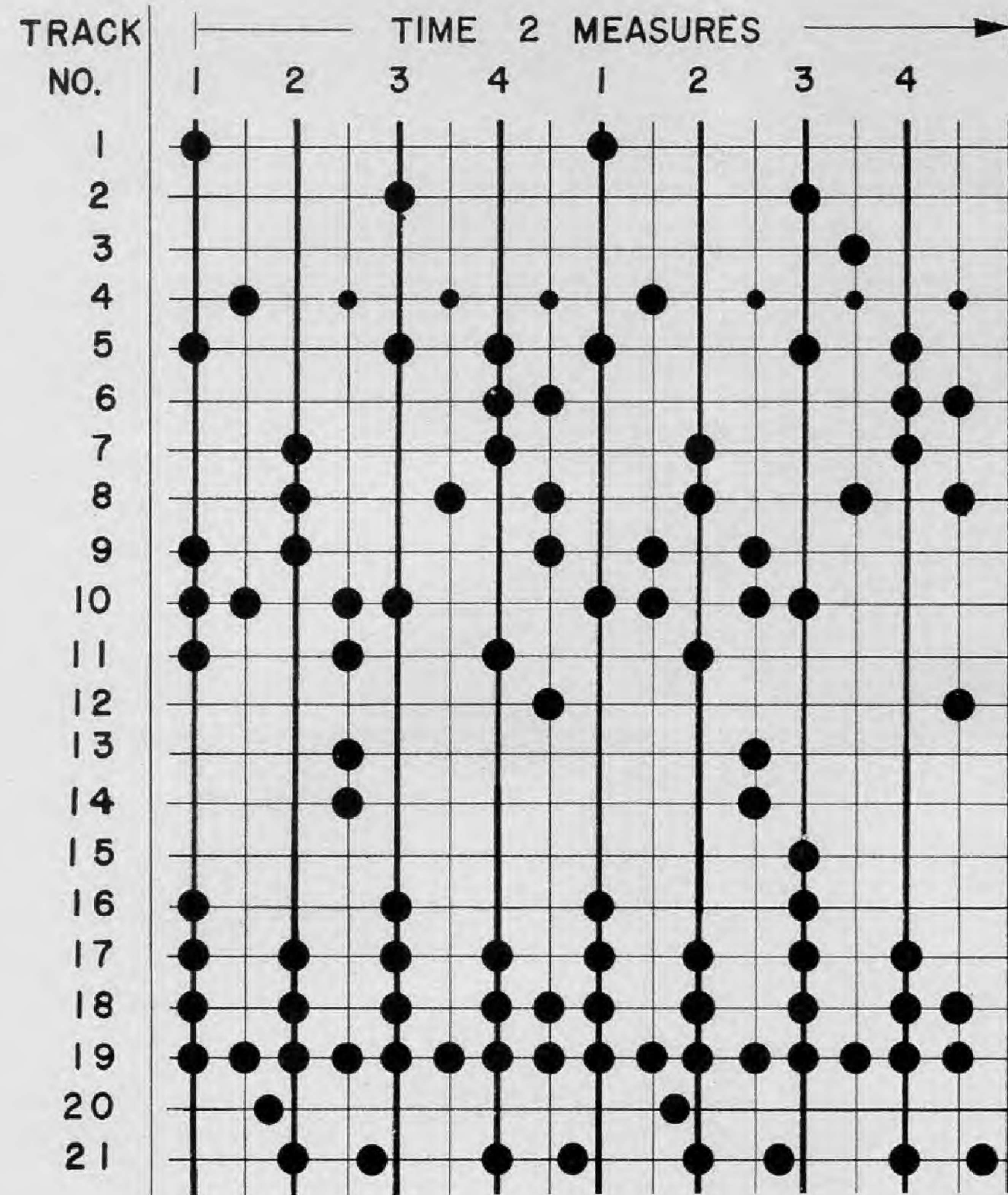


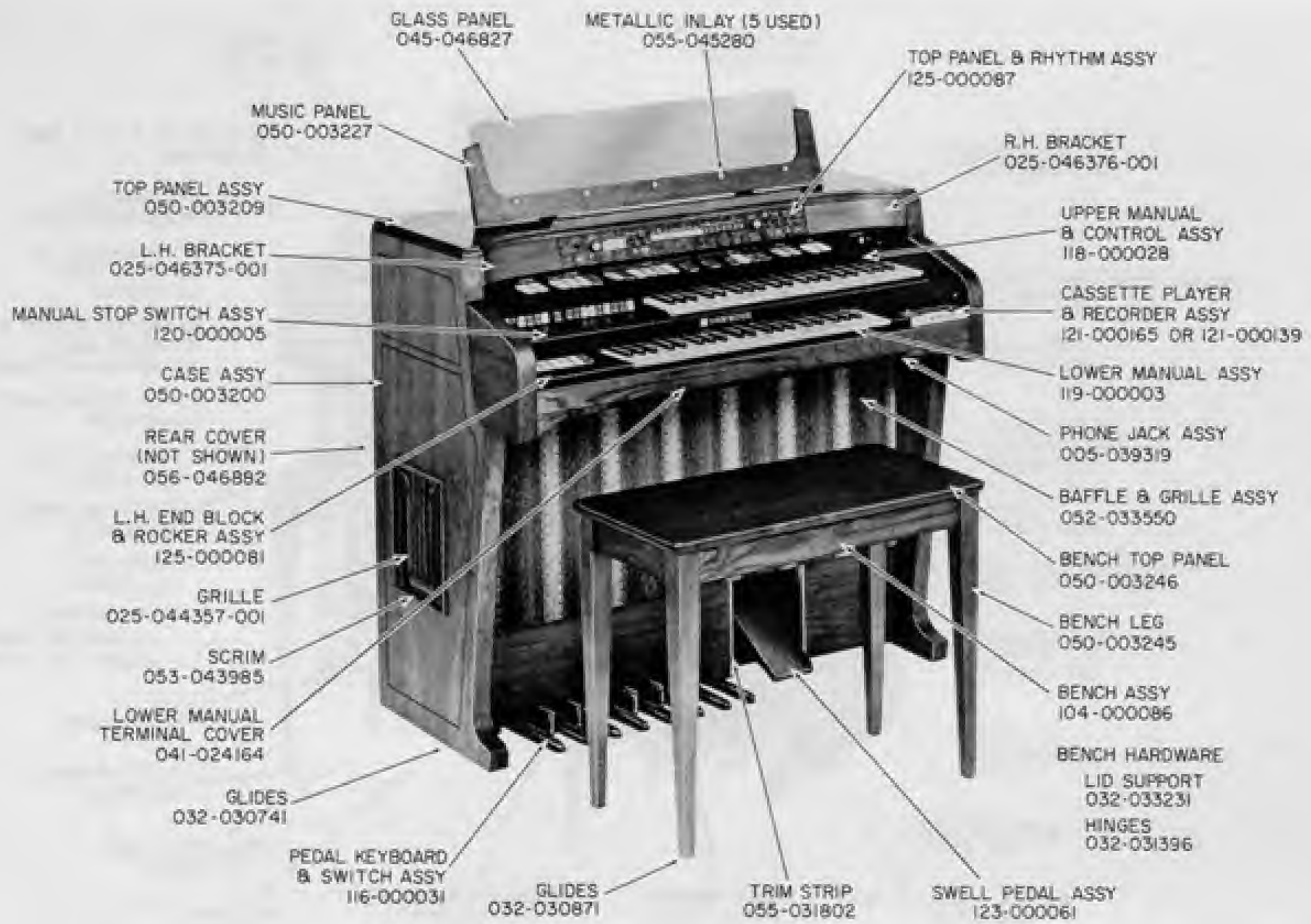
FIGURE 5-21  
RHYTHM III  
OUTPUT MATRIX TIMING  
& VOICING PATTERNS CHARTS

# SECTION VI PARTS LIST

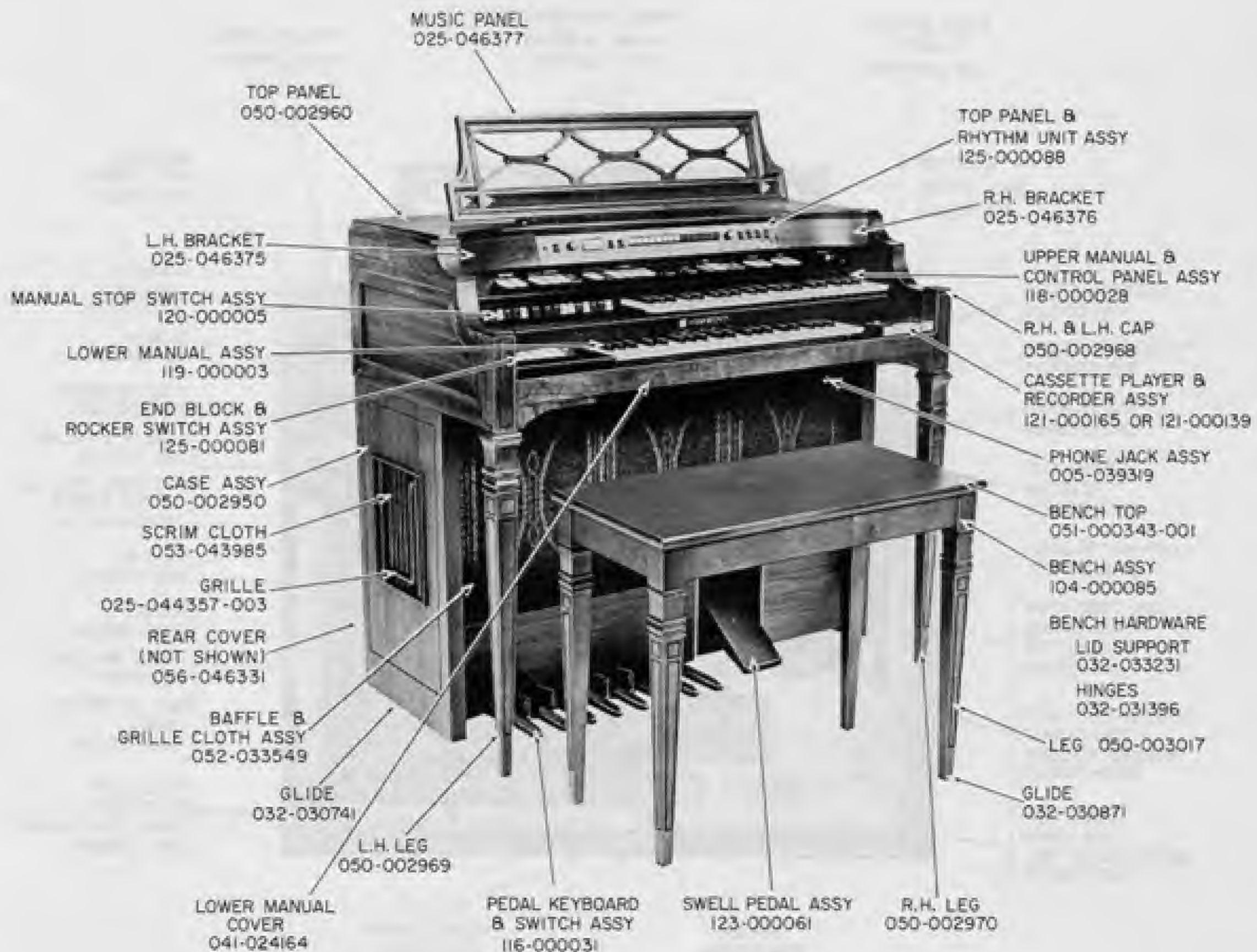
## T-500 INDEX

	<i>Page</i>		<i>Page</i>
<b>Console (524C) Front View</b> .....	6-3	<b>Console – Top Front View</b> .....	6-5
Top Panel & Rhythm Assembly		Music Light Assembly	
Top Panel Assembly		Music Light Lens	
Music Panel		Canopy Switch	
Glass Panel		Rhythm Unit Assembly	
Metal Inlay		Light Emitting Diode	
Upper Manual & Control Assembly		Rocker Switch (Silent/Sound)	
Lower Manual Assembly		Push Button Knobs	
Lower Manual Terminal Cover		Potentiometers & Knobs	
Case Assembly		Toggle Switches & Rocker Tabs	
Baffle & Grill Assembly		Control Panel Assembly	
Bench Assembly		Control Panel	
Cassette		Potentiometer & Knob	
 		Line Switch (A.C.)	
<b>Console (582C) Front View</b> .....	6-3	Light Lens	
Top Panel & Rhythm Assembly		Upper Manual Assembly	
Top Panel Assembly		Right Hand Endblock	
Music Panel		Tonebar Assembly	
Upper Manual & Control Assembly		Stop Switch Base	
Lower Manual Assembly		Front Strip	
Lower Manual Terminal Cover		Lower Manual Assembly	
Case Assembly		Endblock & Rocker Switch Assembly	
Baffle & Grill Assembly		Cassette	
Bench Assembly		 	
Cassette		<b>Console – Rear View, Tremolo Open</b> .....	6-5
 		Control Cover	
<b>Console (595C) Front View</b> .....	6-4	Music Light Cable & Plug Assembly (P605)	
Top Panel & Rhythm Assembly		Generator & Motor Assembly	
Top Panel Assembly		Generator Cable Assembly	
Music Panel		Speakers	
Upper Manual & Control Assembly		Crossover Network Assembly	
Lower Manual Assembly		Reverberation Unit Assembly	
Lower Manual Terminal Cover		Drum Scanner Assembly	
Case Assembly		Power & Reverberation Amplifier Assembly	
Baffle & Grill Assembly		 	
Bench Assembly		<b>Tone Wheel Generator – Rear View</b> .....	6-6
Cassette		Scanner Pulley	
 		“O” Ring	
<b>Console – Rear View</b> .....	6-4	Motor Coupler	
Music Rack Hinge		Coupler Spring	
Control Cover		 	
Vibrato Line Box		<b>Console – Rear View, Top</b> .....	6-6
Tremolo Bracket		Switch Panel & Component Assemblies (1 thru 6)	
Tremolo Hinge		Line Switch	
		Pilot Lamp	

	<i>Page</i>		<i>Page</i>
<b>Console – Rear View, Top (Continued)</b> . . . . .	6-6	<b>Power Amplifier &amp; Supply – Top View</b> . . . . .	6-11
Lower Manual Bus Amplifier Board Assembly		Power Transformers	
Upper Manual Bus Amplifier Board Assembly		Power & Reverberation Amplifier Board	
Recovery & Non Vibrato Amplifier Board Assembly		Pedal Filter & Divider Board	
Vibrato Amplifier Board Assembly		Fuses	
Percussion Board Assembly		Electrolytic Capacitors	
Auto Chord Board Assembly			
Connector & Terminal Pins (Auto Chord Board)		<b>Power Amplifier &amp; Supply – Bottom View</b> . . . . .	6-12
<b>Control Panel – Right Half Front View</b> . . . . .	6-7	Relay – Tremolo	
Stop Finger Assemblies		Zener Diode 15V.	
		Filter Choke	
<b>Control Panel – Left Half Front View</b> . . . . .	6-7		
Stop Finger Assemblies		<b>Pedal Keyboard &amp; Switch Assembly – Top View</b> . . .	6-12
Synchronous Motors		Pedal Keyboard Assembly	
		Cable Assemblies	
<b>Endblock Assembly – Top View</b> . . . . .	6-8	Grommet	
Endblock – Lower Left Hand		Pedal Assembly – Long & Short	
Rocker Tabs			
		<b>Pedal Keyboard &amp; Switch Assembly – Top View,</b>	
<b>Endblock Assembly – Bottom View</b> . . . . .	6-8	<b>Disassembled</b> . . . . .	6-13
Rocker Switch Bracket & Lug Assembly		Pedal Keyer Boards	
Over Center Spring		Key Channel – Long & Short	
Rocker Switch Frame Assembly		Pedal Caps – Long & Short	
Resistors & Capacitors		Extension Springs	
		Down Stop Bumpers	
<b>Manual Assembly – Upper or Lower, Disassembled</b> . .	6-9		
Bus Bar Sets (Upper & Lower)		<b>Pedal Keyboard &amp; Switch Assembly – Bottom View</b> .	6-13
Bus Bar Shifter Assembly		Guide & Switch Bracket Assembly	
Switch Spring Assemblies			
Contact Spring Holder (Long & Short)			
		<b>Swell Pedal – Disassembled</b> . . . . .	6-14
<b>Manual Key Disassembled</b> . . . . .	6-9	Base	
Playing Keys		Photo Cell	
Key Combs		Photo Cell Adapter	
Key Channels		Diffuser Lens	
		Socket	
<b>Tonebar Assembly – Top View</b> . . . . .	6-10	Photo Cell Cover	
Tonebar Assemblies		Shutter	
Tonebar Knobs		Pedal	
		Rubber Mat	
<b>Tonebar Assembly – Bottom View</b> . . . . .	6-10	Side Switch & Contacts	
Printed Network Assemblies			
Tonebar – Disassembled		<b>Rhythm III</b> . . . . .	6-15
		Voicing Board Assembly	
<b>Tonebar Assembly – Pedal</b> . . . . .	6-11	Timing Generator Board Assembly	
Pedal Mounting Block Assembly		Rhythm Selector Board Assembly	
Clamp Spring			
Pedal Tonebar Assembly			
Contact Spring Assembly			
Resistor			



Console (524C) Front View



Console (582C) Front View