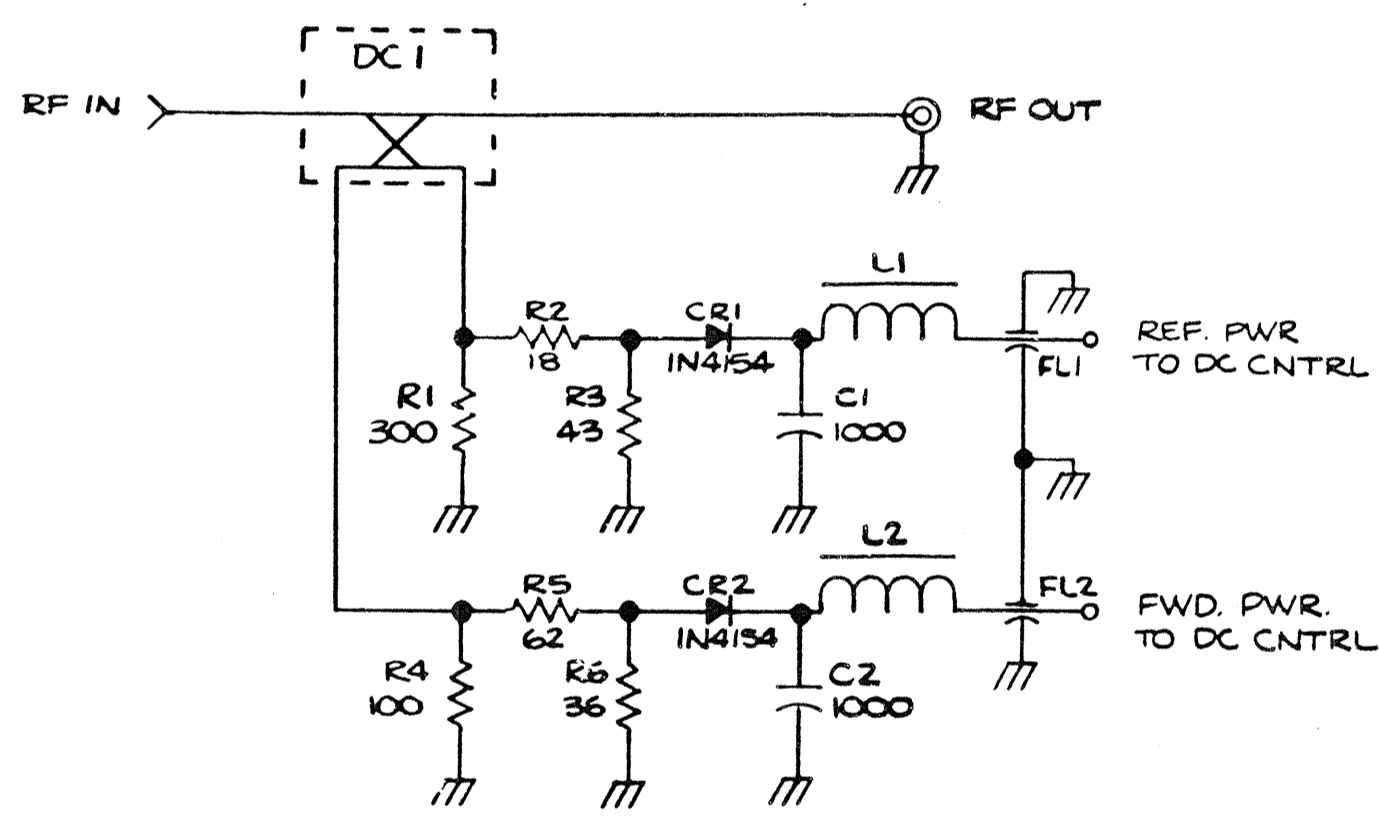


DWG. NO. 8299135466 SH REV.

REVISIONS			
REV.	DESCRIPTION	DATE	APPROVED
1	REV NAME OF DRAWING	4-22-11	JAW



NOTES:

1. ALL RESISTOR VALUES ARE IN OHMS, 2W
2. ALL CAPACITOR VALUES ARE IN PICO FARADS



ALL DIM. IN INCHES UNLESS NOTED.		THIS DOCUMENT CONTAINS PROPRIETARY DATA OF HARRIS CORPORATION. NO DISCLOSURE, REPRODUCTION, OR USE OF ANY PART THERE OF MAY BE MADE EXCEPT BY WRITTEN PERMISSION.	
DR. BY ORR 11/7/88	TITLE	SCHEMATIC	
CHKD. <i>[Signature]</i> 11/16/88	DIRECTIONAL COUPLER 700 WATT AMP MOD		
M.E. <i>[Signature]</i> 11/16/88	REF. DWG.	SCALE	
E.E. <i>[Signature]</i> 11/16/88	MAT'L.	FIN.	DWG. NO.
PROJ. ENG.	USED ON	SHEET 1 OF 1	8299135466

BISHOP GRAPHICS/ACCUPRESS REORDER NO. A31425