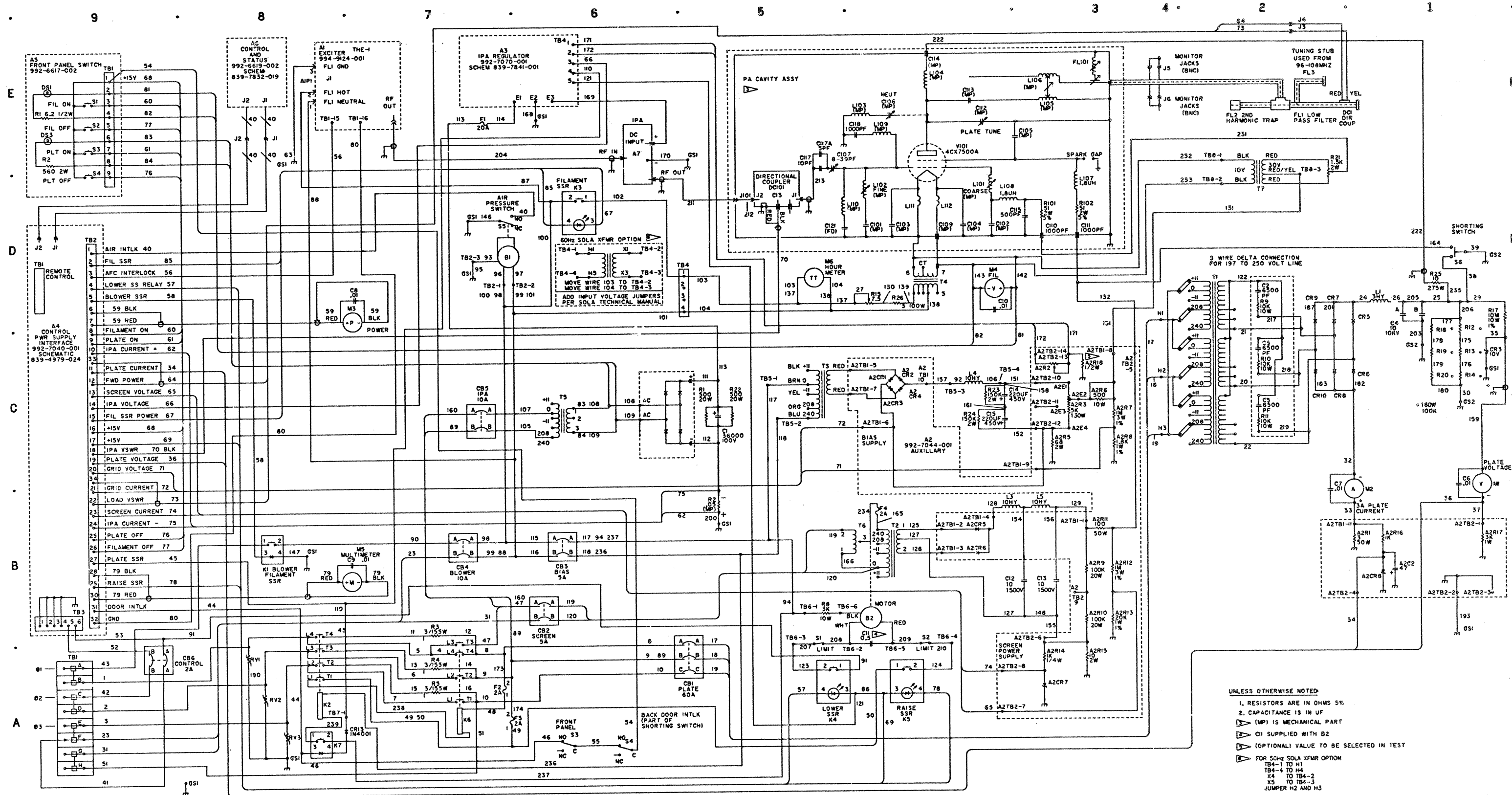


REFERENCE DOCUMENTS	
PC. BOARD	NET LIST

DWG. NO. 839-7832-082		REVISION	DFTM	ENG	ECN
LTR	DATE				
J	12-14 1993	RESISTOR R21 WAS 1K	SEC	SEC	38880
K	11-01 1994	ADDED L5, REVISED VALUES OF A2R9 AND A2R10	SEC	SEC	39542



TOL UNLESS NOTED		
INCHES X ± .030 XX ± .015 XXX ± .005 ANGLES ± 1'	MILLIMETERS X ± .8 XX ± .40 XXX ± .100 ANGLES ± 1'	
ALL DIM IN UNLESS NOTED		THIS DOCUMENT CONTAINS PROPRIETARY DATA OF HARRIS CORPORATION. NO DISCLOSURE, REPRODUCTION, OR USE OF ANY PART THEREOF MAY BE MADE EXCEPT BY WRITTEN PERMISSION.
125 MICRO INCH		
DR. BY D.GLOVER 4-20-90		TITLE
CHKD. ORR 5-30-90		SCHEM, HT-7/HT-10 FM
M.E.		OVERALL 3 PHASE
E.E. NOWACK 5-30		
PROJ. ENG.		
MFG.	REF. DWG.	SCALE
NEXT ASSY.	MAT'L.	FIN.
USED ON		DWG. NO. 839-7832-082
		SHEET 1 OF 1