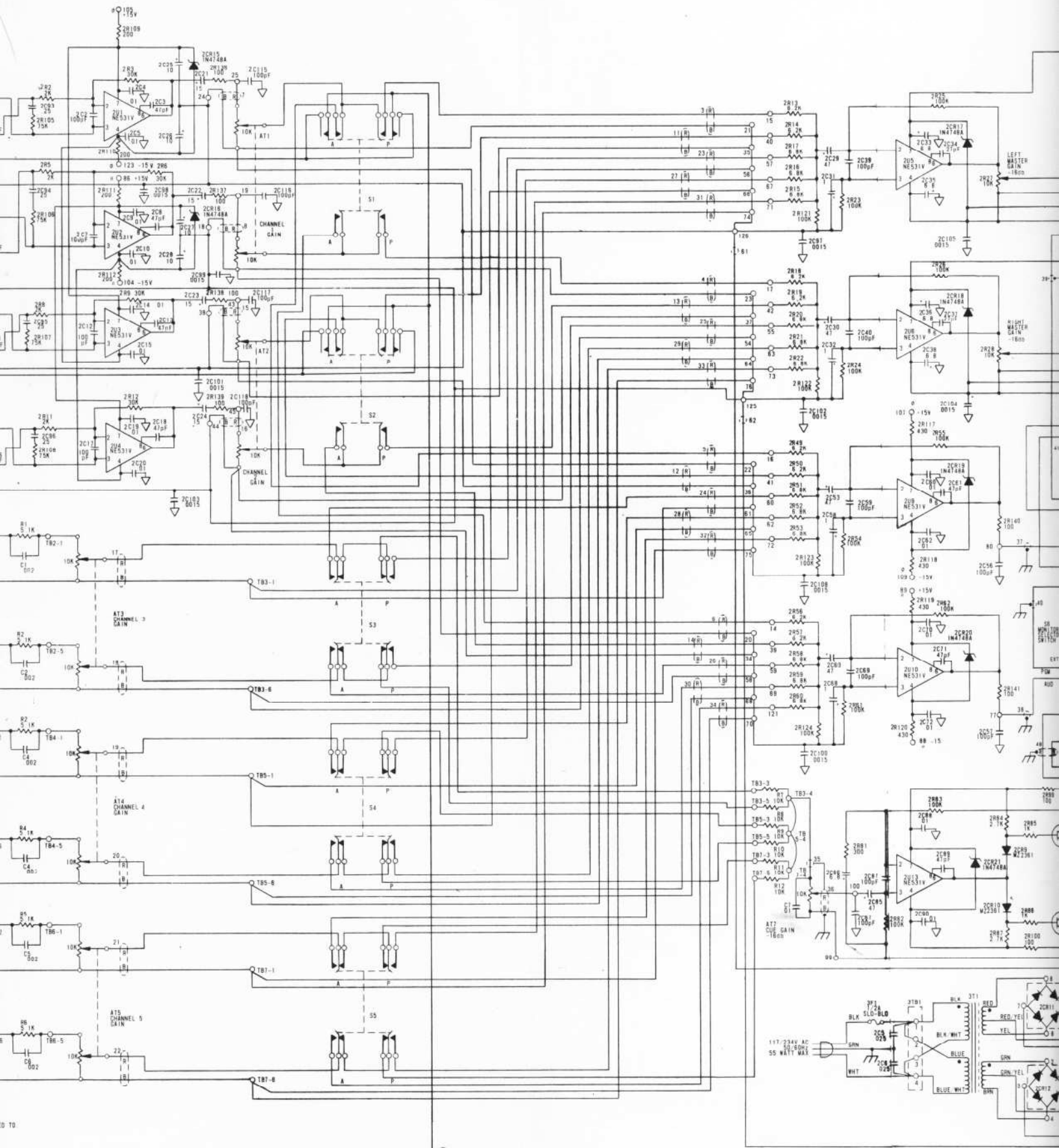
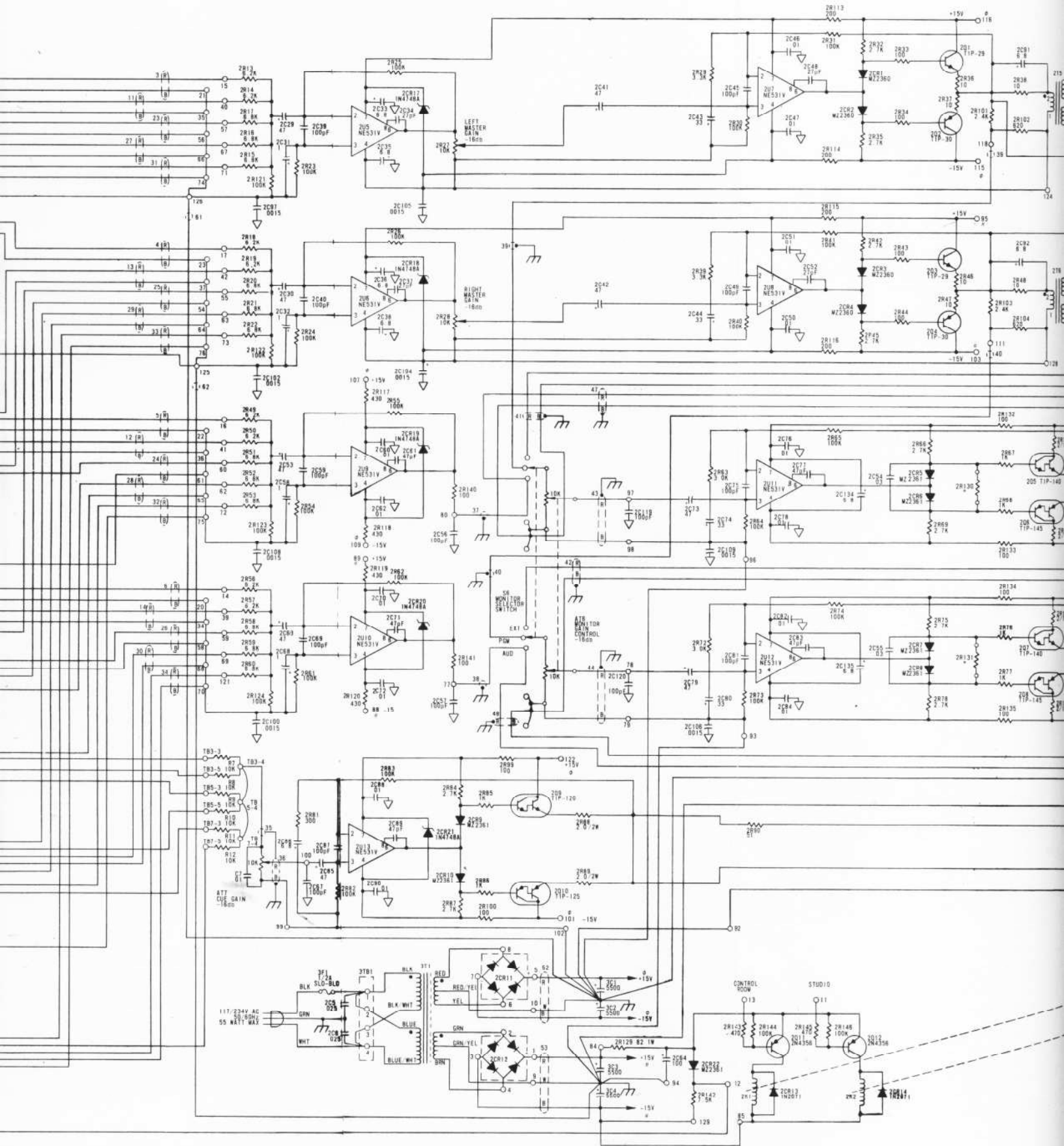


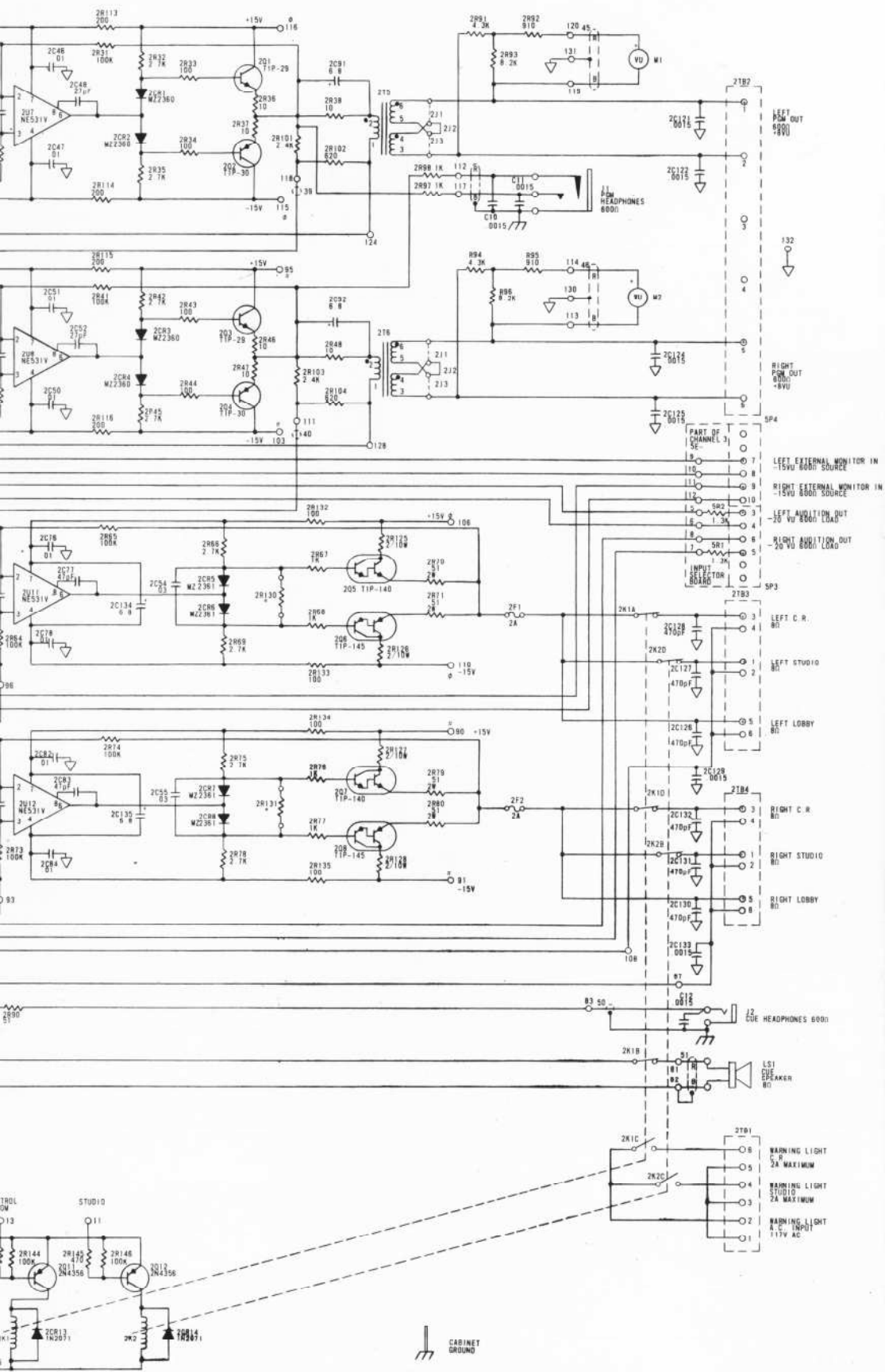
- 7 \* AND \* INDICATE WHICH POWER SUPPLY THE \* AND - LEADS ARE CONNECTED TO
- 8 \* SELECTED IN TEST
- 5 CHASSIS GROUND
- 4 CAPACITANCE IN uP
- 3 RESISTANCE IN OHMS
- 2 RESISTORS ARE 1/2 WATT 5%
- 1 DESIGNATION TO TOP FOIL GROUND PLANE ON LARGE P.C. BOARD
- 10 CHANNEL GAIN CONTROLS SET FOR 18db OF LOSS FOR INPUT/OUTPUT LEVELS TO MATCH
- 9 INDICATES IN PHASE INPUT/OUTPUT TERMINALS
- 8 A O WITH JUST A NUMBER IS A TURRET TERMINAL ON MAIN P.C. BOARD

HARRIS CORPORATION Broadcast Products Division  
123 Hampshire Street, Quincy, Illinois 62301



- 10. CHANNEL GAIN CONTROLS SET FOR 18db OF LOSS FOR INPUT/OUTPUT LEVELS TO MATCH
- 9. ⊙ INDICATES IN PHASE INPUT/OUTPUT TERMINALS.
- 8. A ○ WITH JUST A NUMBER IS A TORRET TERMINAL ON MAIN P.C. BOARD





STEREO 5 CONSOLE  
SCHEMATIC  
852 7854 001