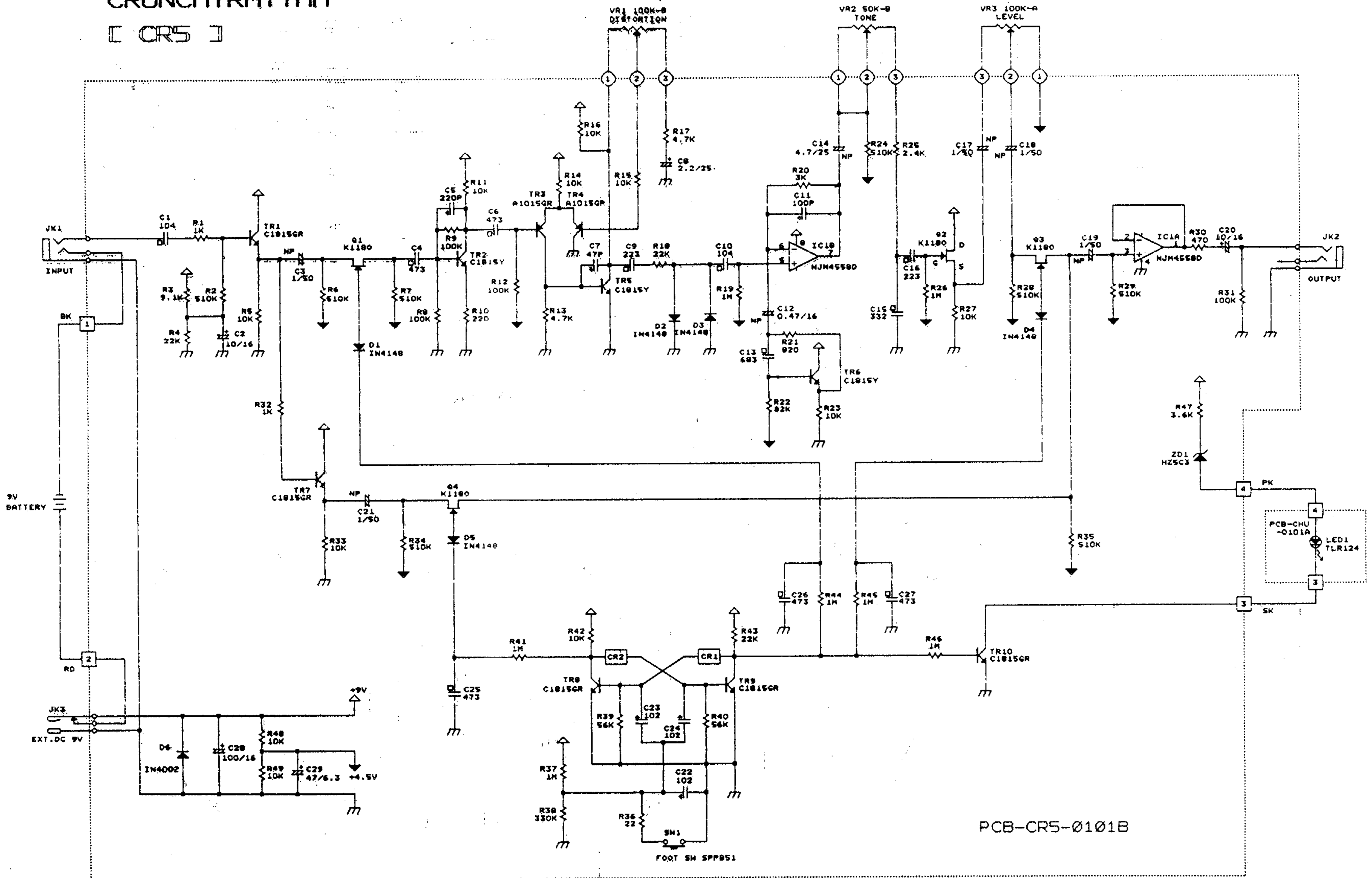
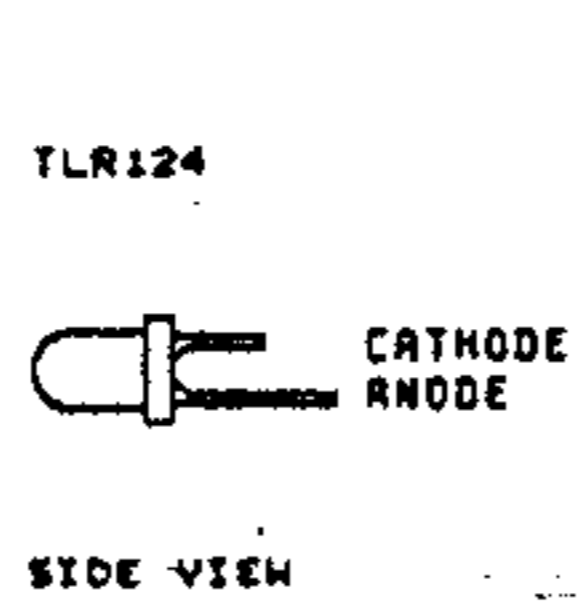
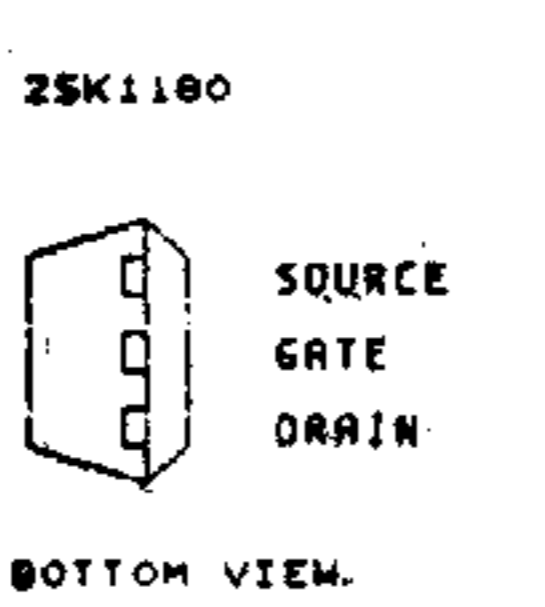
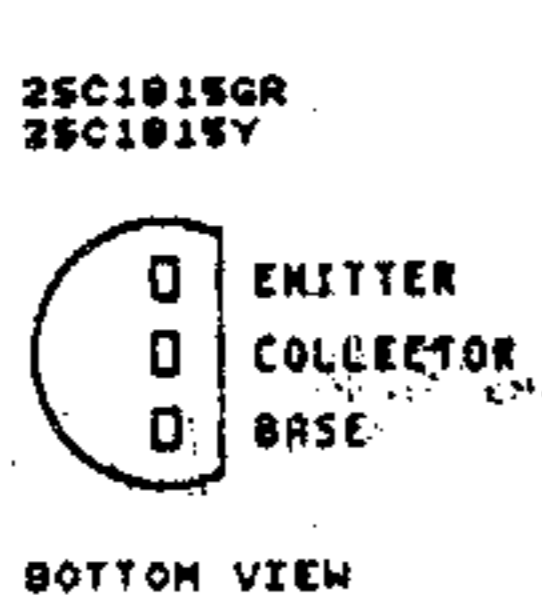
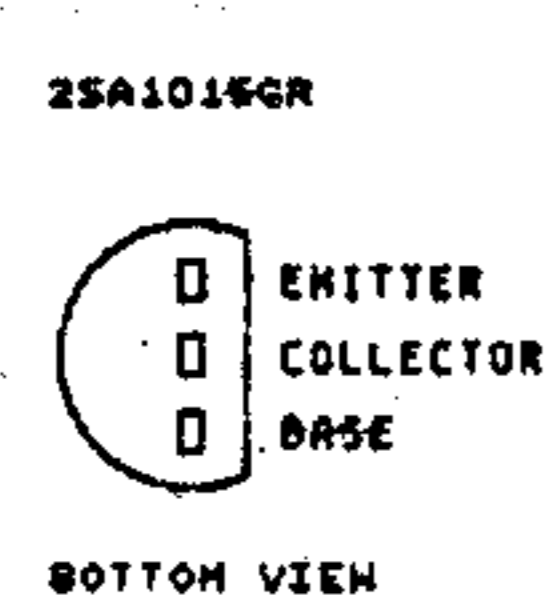
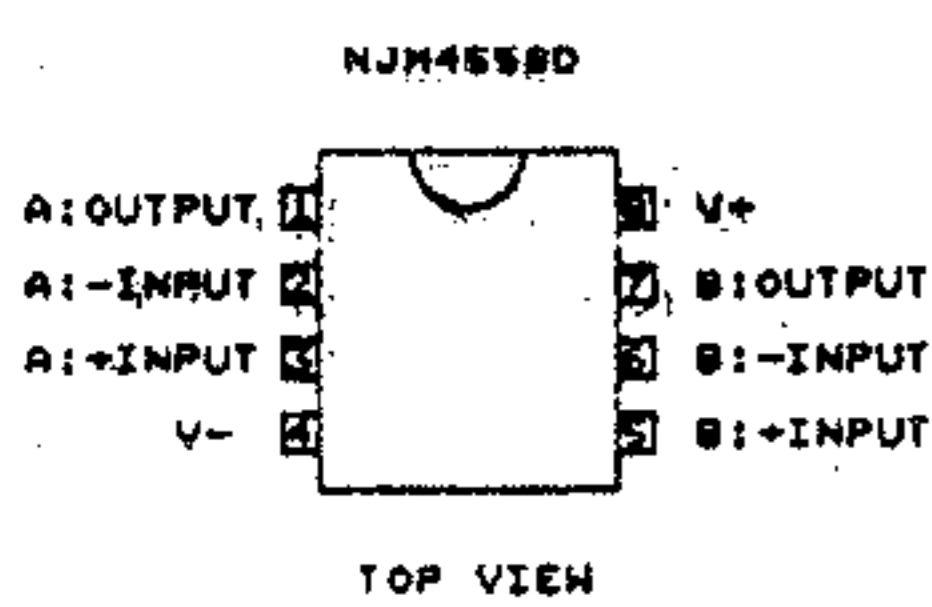


CRUNCHYRHYTHM

[CR5]



PCB-CR5-0101B



== color ==

BR	Brown
RD	Red
OR	Orange
YL	Yellow
GR	Green
BL	Blue
VT	Violet
GY	Gray
WH	White
BK	Black
SK	Sky Blue
LG	Light Green
PK	Pink

== CAUTION ==
This schematic diagram is a normal standard one. The parts ratings and/or schematic diagram will be subject to change without notice.

== NOTES ==
 Δ : CERAMIC capacitor.
 □ : ALL ceramic capacitors are above 25v rating.
 ▢ : FILM capacitor.
 All film capacitors are above 50v rating.
 DP : DI POLAR capacitor.
 NP : NON POLAR capacitor.
 Y : TANTALUM capacitor.
 And all capacitors are ELECTROLYTIC capacitors unless otherwise marked.
 Unless otherwise indicated:
 Resistors, 1/4W or 1/8W +/-5K rating.
 Capacitance in pspf, uuf

== PARTS LIST ==

IC1	NJM4558D
TR2,5,6	2SC1815Y
TR1,7,8,9,10	2SC1815GR
TR3,4	2SA1016GR
Q1,2,3,4	2SK1180
D1,2,3,4,5	IN4148
D6	IN4002
ZD1	HZ5C3
LED1	TLR124