



# SERVICE MANUAL

## Turbo Tube Screamer TS9DX

MANUAL No. 165

### INDEX

SPECIFICATIONS	- - - - - 1
TROUBLE SHOOTING	- - - - - 2
ADJUSTMENT & CHECK	- - - - - 2
PARTS LIST	- - - - - 3
BLOCK DIAGRAM	- - - - - 4
P.C.B.	- - - - - 5
SCHEMATIC DIAGRAM	- - - - - 6

### SPECIFICATIONS (0dBv=0.775Vrms. )

INPUT IMPEDANCE	500k	
OUTPUT IMPEDANCE	10k	
EQUIVALENT INPUT NOISE (HF-A, INPUT SHORTED )	< -115dBv	TURBO
MAXIMUM AMPLITUDE	35dB	1kHz TURBO
SIZE D x W x H	123 x 74 x 54 (mm)	
WEIGHT	550gms	
POWER REQUIREMENT	6mA , DC9V	

## TROUBLE SHOOTING

### DC INPUT 9V

(A) NO POWER		YES ;	NO ;	REMARKS
001	DC 9V at D108 ?	GO TO 003	GO TO 002	
002	Check POWER SUPPLY,C117,D108			
003	DC4.5V at C116 ?	GO TO 005	GO TO 004	
004	Check R133,R132,C116			
005	CURRENT on/about SPECIFICATION ?	END	GO TO 006	
006	Check SHORT of DC9V or 4.5V LINE			

(B) ON OUTPUT or BAD OUTPUT		YES ;	NO ;	REMARKS
101	EFFECT on/off available ?	GO TO 102	GO TO 301	
102	Trouble when EFFECT ON ?	GO TO 103	GO TO 201	
103	Signal at C102 ?	GO TO 105	GO TO 104	
104	Check Q101,JK1			
105	Signal at R107 ?	GO TO 107	GO TO 106	
106	Check IC101A,VR1			
107	Signal at R111 ?	GO TO 109	GO TO 108	
108	Check IC1B,R109,VR3			
109	Signal at C108 ?	GO TO 111	GO TO 110	
110	Check VR2,Q102			
111	Signal at JK2(OUTPUT) ?	END	GO TO 112	
112	Check Q103,C109			
201	Trouble when EFFECT OFF ?	GO TO 202	END	
202	Signal at C108 ?	GO TO 301	GO TO 203	
203	Check Q104			
301	LED ON/OFF enable ?	GO TO 302	GO TO 401	
302	Q102,Q104 switching normal ?	END	GO TO 303	
303	Check Q102,Q104,D103,D104			
401	D109,D107 normal ?	GO TO 403	GO TO 402	
402	Check D109,D107,R131			
403	FOOT SW. normal ?	GO TO 405	GO TO 404	
404	Check SW,R121-123,C103,114,115			
405	Q104,Q106 switching normal ?	END	GO TO 406	
406	Check Q104,Q105,CR1,CR2			

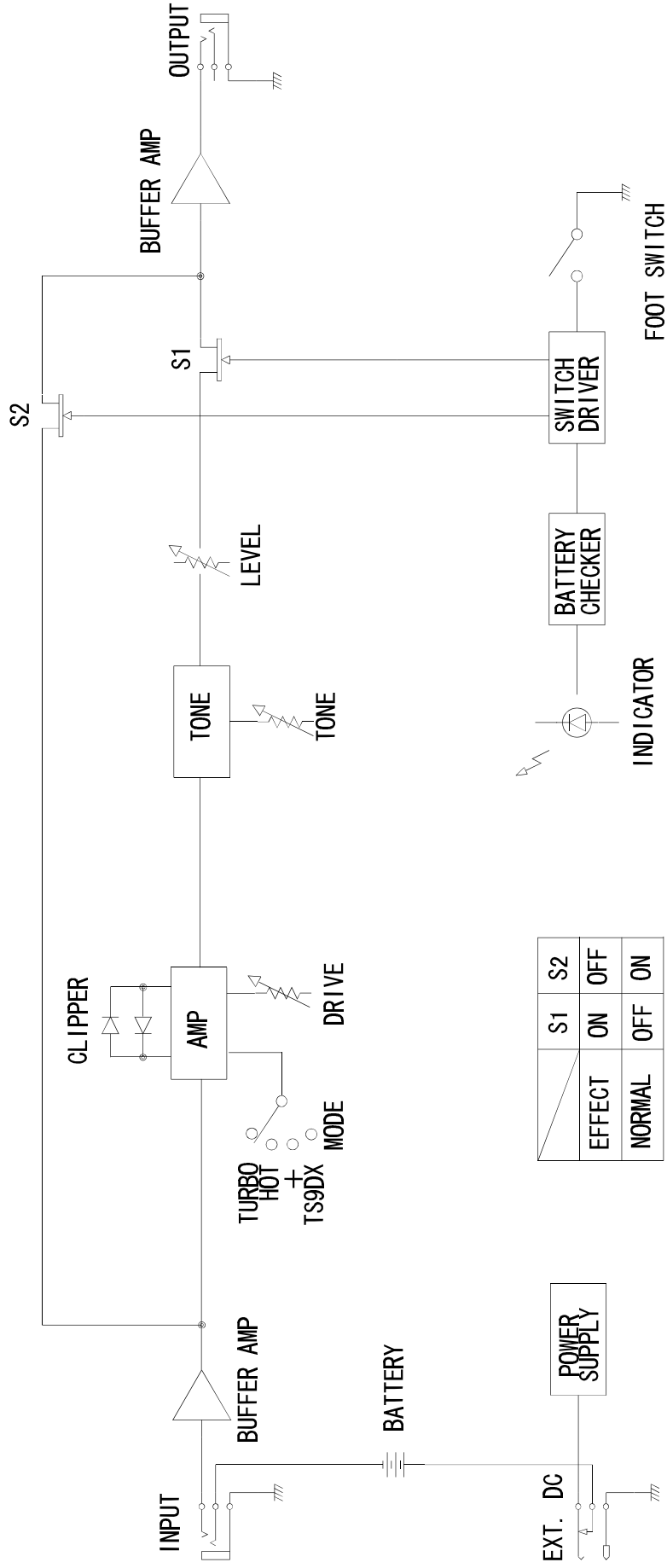
## ADJUSTMENT & CHECK

This equipment has no point of adjustment .

## PARTS LIST

PARTS NAME	Mkr.	pcs	PARTS No.	REF.No.	REMARKS
CASE		1	CHA-TS9-0201A		
BOTTOM COVER		1	MS-NS0102		
BOTTOM RUBBER		1	BR-OD1003A		
BATTERY COVER		1	MS-OD1002		
BATTERY RUBBER		1	BR-OD1004A		
PEDAL		1	MS-Q00301		
FOOT-SW. BOTTOM		1	MS-Q00302		ABS
SPRING		1	SPR-STK-0101A		
BATTERY		1	S-006P		
NAME PLATE		1	NPT-TS9-0201A		
KNOB		4	MK-NS0101		ABS
SCREW		6	BIND-OTPB-3x8-Ni		
SCREW		2	BIND-OTP3x6Zn		
MAIN P.C.BOARD		1	MP-DO1201B-KU		
VR. P.C.BOARD		1	PCB-TS9-0201A		
SW. P.C.BOARD		1	MP-Q00301		
LED P.C.BOARD		1	MP-AD1002A		
IC	TO	1	TA75558P	IC101	
TRANSISTOR	TO	3	2SC1815(BL)	Q103,105,106	
FET	TO	2	2SK30(O)	Q102,104	
DIODE		1	1N4002	D108	
DIODE	MA	6	MA150	D101,102,110-113	
DIODE	MA	3	MA165	D103,104,106	
ZENER DIODE	NEC	1	RD4.7EB	D107	
LED	MA	1	LM21CPHL	D109	
LED	TO	2	TLR124	LED1,LED2	
VARIABLE R.	ALP	1	RK09712-250KA	VR1	
VARIABLE R.	ALP	1	RK09711-100KB	VR2	
VARIABLE R.	ALP	1	RK09711-20KW	VR3	
R-SWITCH	MA	1	SRBM14A	RSW1	
JACK		1	RJM-300	JK1 (INPUT)	
JACK		1	RJ-100	JK2 (OUTPUT)	
EXT.DC JACK	HO	1	HEC0470-01-230	JK3	
SWITCH	ALP	1	SKQEAA	SW1	
BATTERY SNAP		1	I200	BT1	

# TS9DX Turbo Tube Screamer



	S1	S2
EFFECT	ON	OFF
NORMAL	OFF	ON