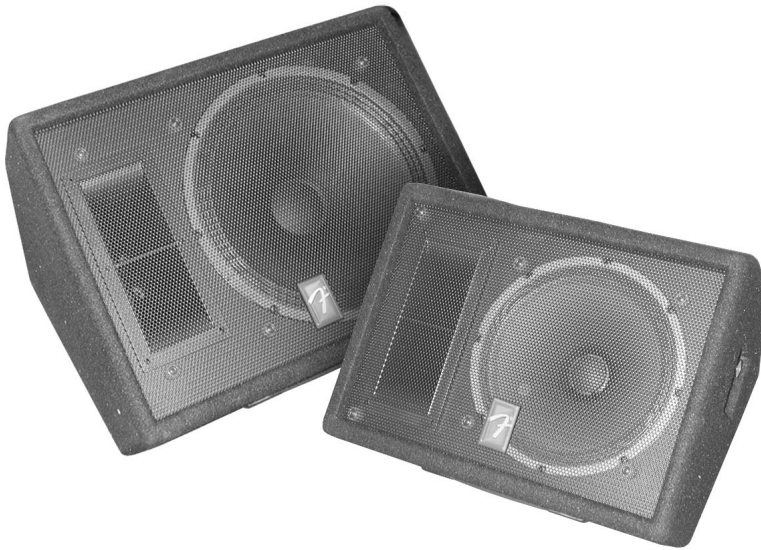


# 1272/1275 XP MONITOR

p/n 071-1272-300  
071-1275-300

## SERVICE MANUAL



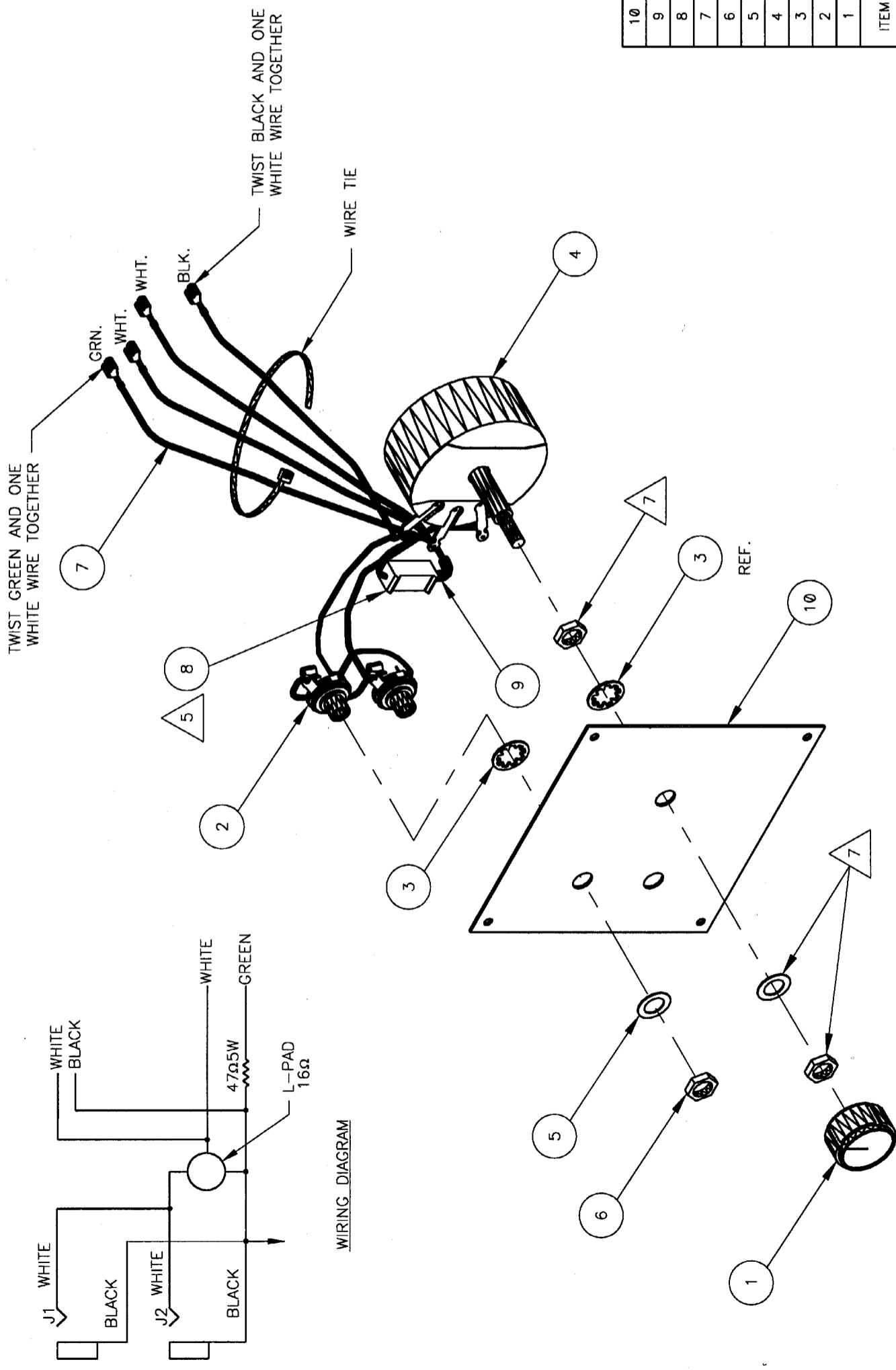
### CONTENTS:

Drawings:

- Input assy
- 1272 End item
- 1275 End item

THIS DOCUMENT CONTAINS INFORMATION OF A PROPRIETARY NATURE TO FENDER MUSICAL INSTRUMENTS AND IS SUBMITTED TO YOU IN CONFIDENCE AND SHALL NOT BE DISCLOSED OR TRANSMITTED TO OTHERS WITHOUT AUTHORIZATION FROM FENDER MUSICAL INSTRUMENTS CORP.

REV	EC NUMBER	BY	DATE/ARCHIVE
A	PR 470	BW	7/27/2000



WIRING DIAGRAM

- 7. HARDWARE INCLUDED WITH PART.
  - 6. NOMINAL DIMENSION FROM FRONT OF CONTROL SHAFT TO FRONT OF PANEL TO BE 3/4".
  - 5. SOLDER LEAD TO GREEN WIRE AND COVER WITH SHRINK TUBE. INSTALL ON PANEL WITH SILASTIC COMPOUND.
  - 4. COPYRIGHT - 2000 - FENDER MUSICAL INSTRUMENTS CORP.
  - 3. - 3 - SAMPLES OF FIRST PARTS MUST BE APPROVED BY FENDER R&D BEFORE STARTING PRODUCTION.
  - 2. ALL DIMENSIONS ARE IN INCHES.
  - 1. DO NOT SCALE DRAWING.
- NOTES: UNLESS OTHERWISE NOTED

10	1	0056995000	0057000000	PLATE INPUT
9	A/R	9907600100	9907600100	TUBING SHRINK 1/8" BLK
8	1	0037845000	0037845000	RES WW BT 5w 10% 47 OHM
7	1	0029732000	0029732000	WIRE SET SUNN 1272/1275
6	2	0016352000	0016352000	NUT HEX 3/8-32x3/32 TK NI
5	2	0031153000	0031153000	WSHR FLAT 3/8x.614 NI
4	1	0029426000	0029426000	CONTROL L PAD 100W/16 OHM
3	3	0016436000	0016436000	WSHR LCK INTL 3/8x.687x.035 NI
2	2	0021956000	0021956000	JACK PHONE OPEN CIRCUIT 11
1	1	0029531000	0029531000	KNOB KNURL BLK SUNN 1272/1275
ITEM	QTY.	0056994000	0056999000	DESCRIPTION
		1272XP	1275XP	

ENGINEER  
HUBBARD

DRAWN  
WIELOPOLSKA

DATE  
7/13/2000

DFT. ENG. **JKH**  
DATE DATE  
31 AUG 2000

APPROVED  
**J. HUBBARD**  
DATE  
31 AUG 2000

TITLE  
INPUT ASSEMBLY  
1272XP, 1275XP  
MONITORS

SIZE  
B

PART/DRAWING NUMBER  
0056994000

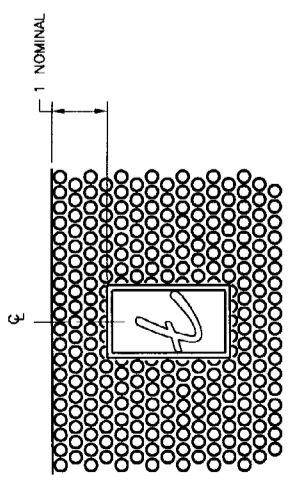
REV.  
A

MASTER/ASSEMBLY

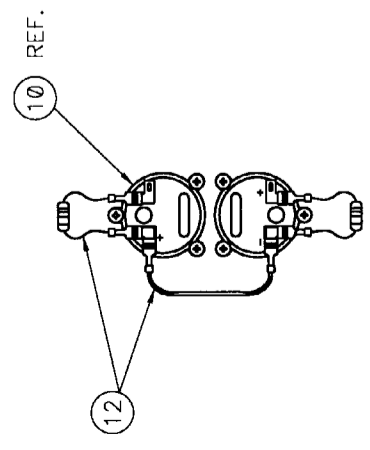
Fender  
FENDER MUSICAL INSTRUMENTS CORP.  
CORONA, CALIFORNIA U.S.A.

THIS DOCUMENT CONTAINS INFORMATION OF A PROPRIETARY NATURE TO FENDER MUSICAL INSTRUMENTS AND IS SUBMITTED TO YOU IN CONFIDENCE AND SHALL BE KEPT CONFIDENTIAL AND NOT TO BE DISCLOSED TO OTHERS WITHOUT AUTHORIZATION FROM FENDER MUSICAL INSTRUMENTS CORP.

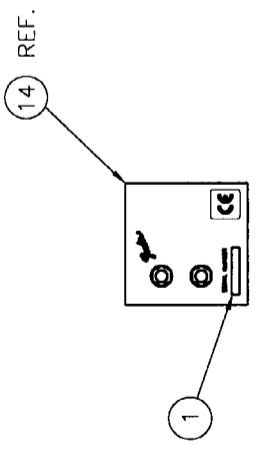
REV	DATE	BY
A	PR 470	BW
		1/27/2000



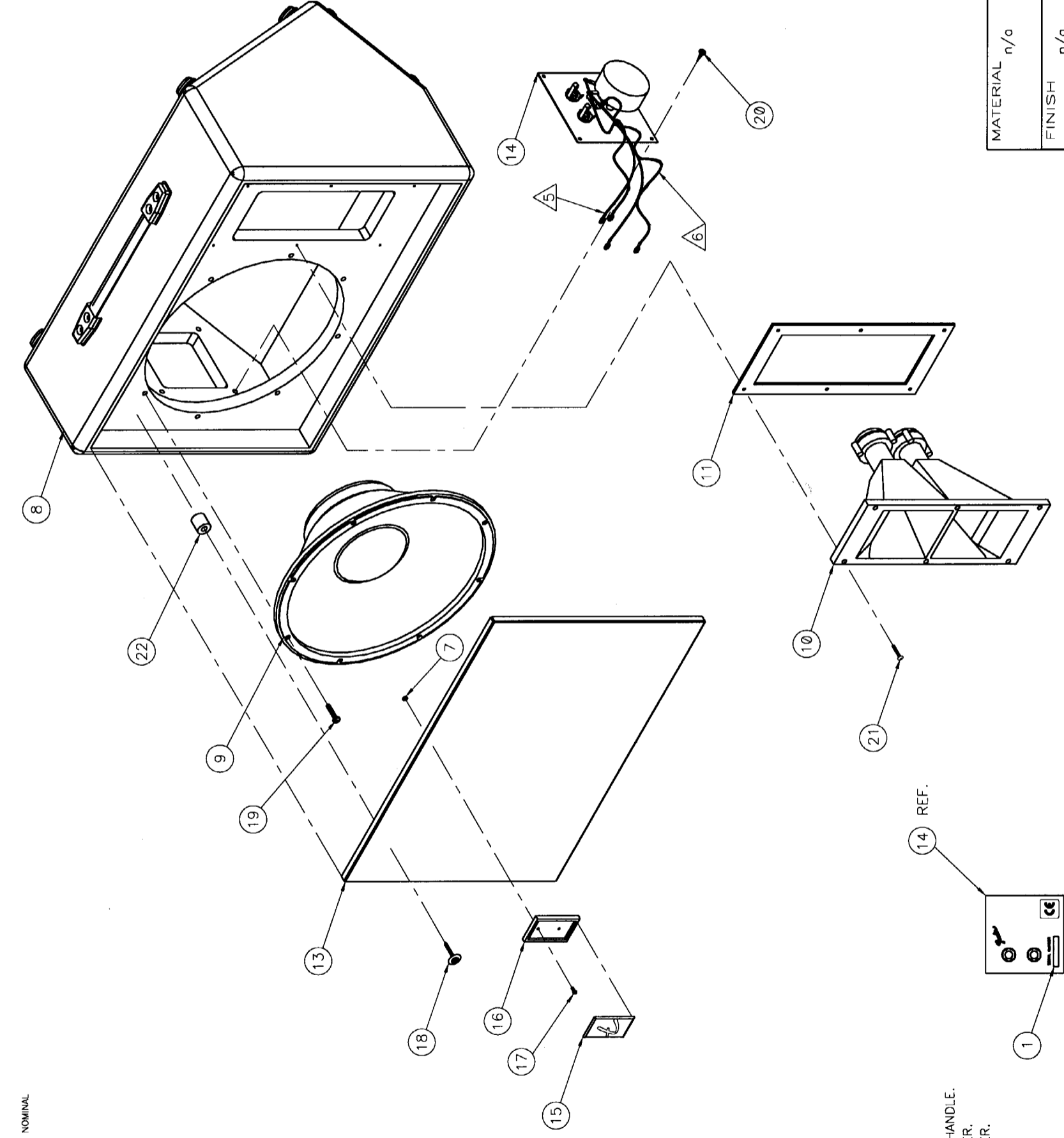
LOGO DISH PLACEMENT DETAIL



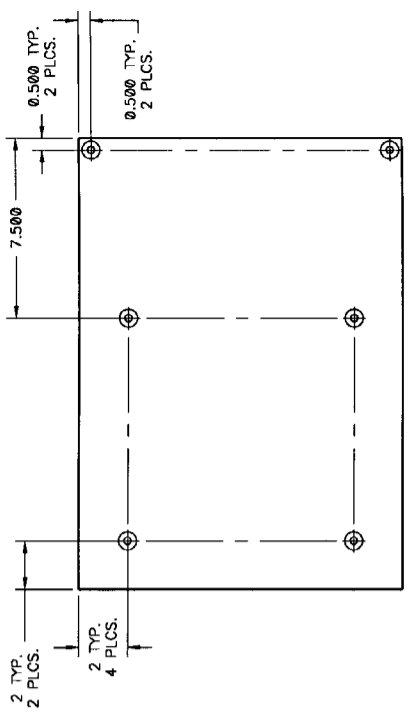
HORN WIRING DETAIL



SERIAL LABEL PLACEMENT DETAIL



"TOP" HANDLE SIDE



GRILLE MOUNTING ORIENTATION DETAIL

(N.S.) = NOT SHOWN

24	A/R	0055719000	INSTAMATE PACK FILM (N.S.)
23	A/R	0055718000	FLEX FOAM PART "B" (N.S.)
22	6	0050317000	STANDOFF RUBBER .750IA X .77
21	6	0029677000	SCRW SMA 6x1 THP BLX
20	4	9904101110	SCREW PB 8x5/8 PHP BLX
19	8	0026577000	SCRW M 10-32x1 PHP BLX
18	6	0036112000	SCRW SMAB 6x1-1/4 OHP BLX W/WS
17	2	0056955000	SCRW M4-40x5/16 HH ZI
16	1	0050042000	LOGO DISH W/O BADGE
15	1	0056666000	BADGE FENDER "F"
14	1	0056994000	INPUT ASSEMBLY 1272XP
13	1	0056993000	GRILLE 1272XP
12	1	0037950000	WIRE SET HORN WIRING 1110
11	1	0028885000	GASKET HORN DUAL PIEZO
10	1	0028813000	HORN DUAL PIEZO (USE W/028885)
9	1	0028742000	SPEAKER 12" 16 ohm 100 watts
8	1	0056992000	CABINET ASSEMBLY 1272XP
7	2	0097360000	NUT HEX 4-40 EX LOCK
6	1	9903320000	BAG POLY ZIP 10x13 2M (N.S.)
5	1	0056991000	MANUAL OWNERS 1272XP/1275XP (N.S.)
4	A/R	0055717000	FLEX FOAM PART "A" (N.S.)
3	1	0056990000	CARTON 1272XP (N.S.)
2	1	0029757000	BAG POLY 35x22x32 .0015 (N.S.)
1	1	0029816000	LABEL SERIAL MEXICO

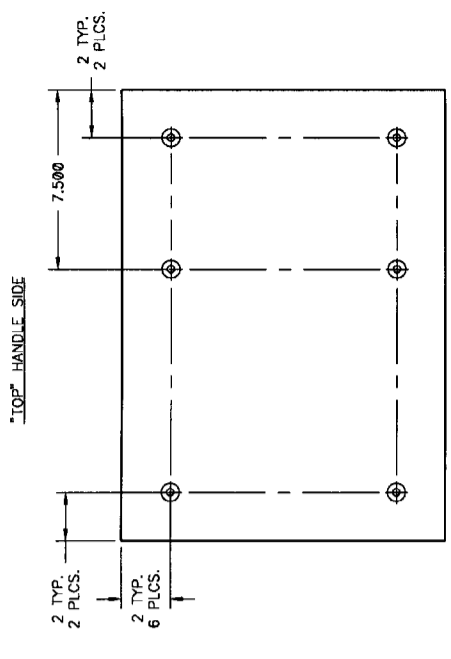
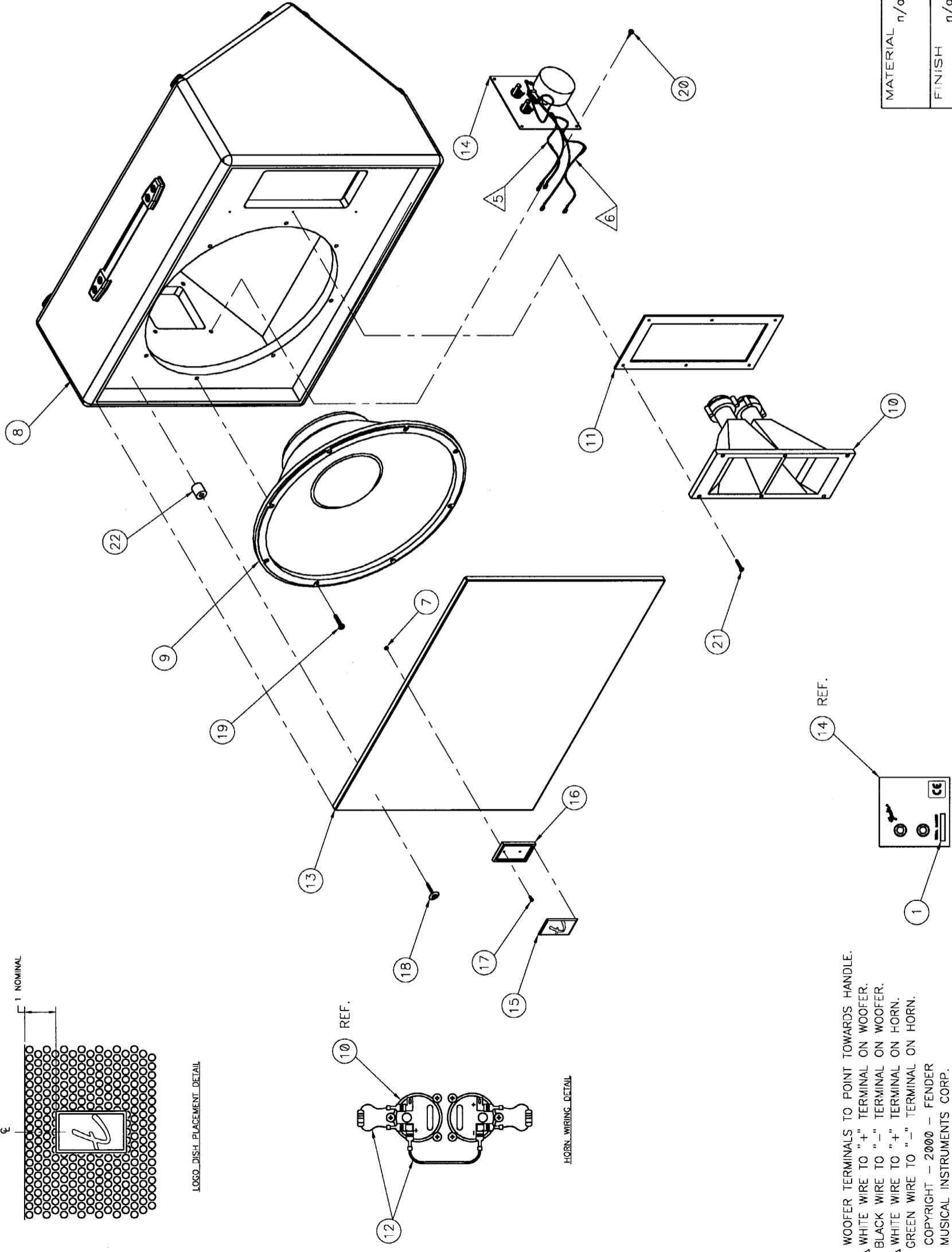
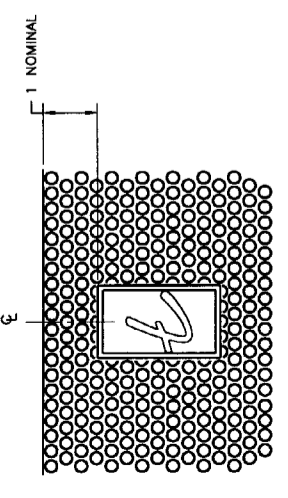
ENGINEER		HUBBARD
DRAWN		WIELOPOLSKA
DATE		7/26/2000
DFT. ENG.		ENK
DATE		27 JUL 2000
APPROVED		J. HUBBARD
DATE		27 JUL 2000
MATERIAL		n/a
FINISH		n/a
TOL. UNLESS NOTED		
FRACT.		1/32
.X		0.050
.XX		0.010
.XXX		0.010
ANGLES		0.5 DEGREES
HOLE DIA.		0.0001
UNWARPED ANGLES		ARE 90 DEGREES

TITLE		END ITEM	
1272XP MONITOR		1272XP MONITOR	
SHEET SIZE		DRAWING NUMBER	
1/1		0711272300	
SCALE		ASSEMB	
N/A		1	

- WOOFER TERMINALS TO POINT TOWARDS HANDLE.
- WHITE WIRE TO "+" TERMINAL ON WOOFER.  
BLACK WIRE TO "-" TERMINAL ON WOOFER.  
WHITE WIRE TO "+" TERMINAL ON HORN.  
GREEN WIRE TO "-" TERMINAL ON HORN.
- COPYRIGHT - 2000 - FENDER MUSICAL INSTRUMENTS CORP.
- 3 - SAMPLES OF FIRST PARTS MUST BE APPROVED BY FENDER R&D BEFORE STARTING PRODUCTION.
- ALL DIMENSIONS ARE IN INCHES.
- DO NOT SCALE DRAWING.
- NOTES: UNLESS OTHERWISE NOTED

THIS DOCUMENT CONTAINS INFORMATION OF A PROPRIETARY NATURE TO FENDER MUSICAL INSTRUMENTS CORP. IT IS NOT TO BE DISCLOSED OR TRANSMITTED TO OTHERS WITHOUT AUTHORIZATION FROM FENDER MUSICAL INSTRUMENTS CORP.

REV.	BY	DATE
A	PR 471	7/26/2000
BW		



(N.S.) = NOT SHOWN

24	A/R	0055719000	INSTAMATE PACK FILM (N.S.)
23	A/R	0055718000	FLEX FOAM PART "B" (N.S.)
22	6	0050317000	STANDOFF RUBBER .75DIA X .77
21	6	0029677000	SCRW SMA 6x1 THP BLX
20	4	9904101110	SCRW PB 8x5/8 PHP BLX
19	8	0026577000	SCRW M 10-32x1 PHP BLX
18	6	0036112000	SCRW SMAB 6x1-17/4 OHP BLX W/WS
17	2	0056955000	SCRW M4-48X5/16 HH ZI
16	1	0050042000	LOGO DISH W/O BADGE
15	1	0056860000	BADGE FENDER "F"
14	1	0056999000	INPUT ASSEMBLY 1275XP
13	1	0056998000	GRILLE 1275XP
12	1	0037950000	WIRE SET HORN WIRING 1110
11	1	0028885000	GASKET HORN DUAL PIEZO
10	1	0028813000	HORN DUAL PIEZO (USE W/028885)
9	1	0028743000	SPEAKER 15" 16 ohm 100 watts
8	1	0056997000	CABINET ASSEMBLY 1275XP
7	2	0097360000	NUT HEX 4-40 EX LOCK
6	1	9903320000	BAG POLY ZIP 10x13.2M (N.S.)
5	1	0056991000	MANUAL OWNERS 1272XP/1275XP (N.S.)
4	A/R	0055717000	FLEX FOAM PART "A" (N.S.)
3	1	0056996000	CARTON 1275XP (N.S.)
2	1	0029757000	BAG POLY 35x22x52 .0015 (N.S.)
1	1	0029816000	LABEL SERIAL MEXICO

MATERIAL n/a

FINISH n/a

ENGINEER HUBBARD

DRAWN WIELOPOLSKA

DATE 7/26/2000

DFT. ENG. 7/26/2000

DATE 7/26/2000

APPROVED J. HUBBARD

DATE 27 JUL 2000

TITLE 1275XP MONITOR

END ITEM 1275XP MONITOR

DRAWING NUMBER 0711275300

SCALE N/A

SHEET 1/1

REV. A

7. WOOFER TERMINALS TO POINT TOWARDS HANDLE.  
 8. WHITE WIRE TO "+" TERMINAL ON WOOFER.  
 9. BLACK WIRE TO "-" TERMINAL ON WOOFER.  
 10. WHITE WIRE TO "+" TERMINAL ON HORN.  
 11. GREEN WIRE TO "-" TERMINAL ON HORN.  
 12. COPYRIGHT - 2000 - FENDER MUSICAL INSTRUMENTS CORP.  
 13. - 3 - SAMPLES OF FIRST PARTS MUST BE APPROVED BY FENDER R&D BEFORE STARTING PRODUCTION.  
 14. ALL DIMENSIONS ARE IN INCHES.  
 15. DO NOT SCALE DRAWING.  
 NOTES: UNLESS OTHERWISE NOTED

SERIAL LABEL PLACEMENT DETAIL