



215 PRO

(This is the model name for warranty claims)

p/n 2215200000 (120V)

SERVICE MANUAL



ATTENTION:

WARRANTY SERVICE PROCEDURES

The Fender 215 PRO is covered by the standard FMIC 5 Year Electronic Limited Warranty as it applies to Speaker Enclosures. PCB Assemblies and Electronic Components are covered for 5 years. Speakers, Drivers, Cabinet Assemblies, and Cabinet Hardware are covered for 1 year. Cables and wiring harnesses for 90 days. This enclosure is considered to be repairable to the component level in the field. If you have questions please contact the FMIC Customer Service Support Center at (866) 345-3642 or Email service@fender.com



(This is the model name for warranty claims)

September, 2007

IMPORTANT NOTICE

• Copyright © 2007 FMIC. All rights reserved. All information contained herein is CONFIDENTIAL and PROPRIETARY and is the property of Fender® Musical Instruments Corporation. It is not to be sold or assigned to another party and is disclosed solely for use by Fender Authorized Service Centers for purposes of product service and maintenance. All information is not to be disclosed to others without the expressed permission of Fender® Musical Instruments Corporation. All

specifications are subject to change without notice. This information and any copies produced electronically or otherwise must be surrendered upon demand of Fender® Musical Instruments Corporation.

- Parts marked with two asterisks (**) indicate the required use of that specific part. This is necessary for RELIABILITY and SAFETY requirements. **DO NOT USE A SUBSTITUTE!**

PARTS LIST CODES

The description codes used in the itemized Parts Lists are defined below:

CAPACITOR CODES

CAP AE = Aluminum Electrolytic
CAP CA = Ceramic Axial
CAP CD = Ceramic Disk
CAP CR = Ceramic Radial
CAP MPF = Metalized Polyester Film
CAP MY = Mylar
CAP PFF = Polyester Film/Foil

RESISTOR CODES

RES CC = Carbon Comp
RES CF = Carbon Film
RES FP = Flame Proof
RES MF = Metal Film
RES MOX = Metal Oxide
RES WW = Wire Wound

HARDWARE CODES

BLX = Black Oxide
CR = Chrome Plated
HWH = Hex Washer Head
M = Machine Screw
NI = Nickel Plated
OHP = Oval Head Phillips
PB = Particle Board
PHP = Pan Head Phillips
PHPS = Pan Head Phillips Sems
SMA = Sheet Metal "A" Point
SMB = Sheet Metal "B" Point
SS = Stainless Steel
TF = Thread Forming
ZI = Zinc Plated



(This is the model name for warranty claims)

SPECIFICATIONS

Model Name:	215 PRO
Release Number:	PR 730
Part Number:	2215200000
Impedance:	4 ohms
Sensitivity:	101 dB, 1w-1m
Power Handling:	800 Watts, Continuous 1600 Watts, Program
Drivers:	Two 15" (38.1 cm) Fender Special Design cast frame woofers with 3" (7.6 cm) voice coil and 105 Oz. (2.98 kg) magnet (p/n 0075912000) One horn tweeter with 1" (2.5 cm) voice coil and 8 oz. (0.23 kg) magnet (p/n 0048847000)
Connections:	Dual, parallel wired, 1/4" (6.35 mm) high current input jacks and Speakon connector
Cabinet:	3/4" (1.9 cm) Baltic Birch plywood
Dimensions	Height: 36 5/8 in (93.0 cm) Width: 26 in (66.0 cm) Depth: 17 in (43.2 cm)
Weight:	110 lb (50.0 kg)

Product specifications are subject to change without notice



SERVICE NOTES

Input Assembly removal is required for lamp replacement and is accomplished by following these steps:

1. Remove the four screws from the input panel corners.
2. Pull the panel out at the top until the L-pad is clear of the mounting plate, then pull upward on the assembly.
3. Use a small screwdriver or other tool to remove the blown lamp, which is visible through a cut-out in the circuit board.
4. Remove the spare lamp stowed on the side of the circuit board and install it where the blown lamp was removed.
5. Install the input assembly in the reverse order of removal.

PCB EXCHANGE POLICY

Parts marked with a single asterisk (*) in the Part Lists are not field replaceable. If a failure due to one of these components is detected, please contact the FMIC Customer Service Department to order the complete PCB Assembly.



215 PRO

(This is the model name for warranty claims)

.PARTS LIST: PCB ASSEMBLY			
QTY.	PART #	DESCRIPTION	REFERENCE DESIGNATION
1	0075753000	*PCB ASSEMBLY BASS PRO SPEAKERS	
1	0051858000	INDUCTOR AIR CORE .18mH	L1
2	0051857000	LAMP TYPE 561	LMP1, LMP2
4	0053475000	LAMP CLIP	
4	0012555000	EYELET-ROLLED FLANGE G.S. 3-4	
2	0051861000	CAP MPF RDL 3.3Uf 250v 10%	C1, C2
2	0029175000	JACK PHONE 1/4" HI CURRENT PC	J1, J2

PARTS LIST: INPUT ASSEMBLY			
QTY.	PART #	DESCRIPTION	REFERENCE DESIGNATION
1	0075735000	* INPUT ASSEMBLY FBA BASS PRO SPKRS	
1	0075605000	PLATE INPUT FBA PRO SERIES	
1	0049348000	CONTROL L PAD 8 OHM 50W	
1	0064463000	KNOB PLASTIC W/POINTER XOVER	
2	0016436000	WSHR LCK INTL 3/8x.687x.065 NI	
2	0031153000	WSHR FLAT 3/8x.614 NI	
2	0016352000	NUT HEX 3/8-32x3/32 TK NI	
1	0040432000	JACK SPEAKON 4-POLE (NL-4MP)	
2	0059914000	SCRW TF 4-40X3/8 FHP BLK	

PARTS LIST: CABINET ASSEMBLY			
QTY.	PART #	DESCRIPTION	REFERENCE DESIGNATION
1	0074214000	*CABINET ASSEMBLY 215 PRO	
16	0021972000	NUT T 10-32x3/4 STR 3 PRNG BLX	
2	0059919000	FOOT RUBBER 2.50 DIA	
2	0059916000	WSHR FLAT 7/16X1X.070 STL ZI	
2	0059918000	SCRW 3/8-16X1 1/2 HH ZINC	
2	0012094000	NUT T 3/8-16x7/16 TWIST 4 PRNG	
8	0059920000	CORNER STL/NI STACKING C1335N	
32	0026571000	SCRW SMAB 8X5/8 THP NI	
2	0059843000	"CASTER FXD 3" WHL W2080K/HD"	
52	0033380000	SCRW SMAB 8x1 THP BLX	
2	0059844000	HANDLE RECESSED STEEL BAR	
2	0074224000	RAIL GLIDE HDPE 215/610 PRO	
10	0059921000	SCRW SMA 10X1 1/4 THP BLK	
1	0054842000	PLATE KICK 810 PRO	
10	0037543000	SCRW SMAB 8x3/4 OHP NI	
3.35	0051343000	VINYL TOLEX 4227A	SY

PARTS LIST: END ITEM ASSEMBLY			
QTY.	PART #	DESCRIPTION	REFERENCE DESIGNATION
1	0074214000	*CABINET ASSEMBLY 215 PRO	
2	0075912000	SPEAKER 15 INCH 8 OHM CAST FRAME	
1	0075735000	*INPUT ASSEMBLY FBA BASS PRO SPEAKERS	

* Non-serviceable part. Replace complete parent assembly. See PCB EXCHANGE POLICY section above.

shaded Unique Fender® part. Order directly from the FMIC Parts Department.

shaded + * Access to this part or assembly is controlled. Please contact the FMIC Customer Service Department.

** Safety Requirement part. Replacement must match Safety Agency...-Value, if specified -Type, if specified -Approval Mark(s) if on part.

shaded + ** Both a unique Fender® part and a Safety Requirement part as defined above.

**215 PRO**

(This is the model name for warranty claims)

PARTS LIST:		END ITEM ASSEMBLY	
QTY.	PART #	DESCRIPTION	REFERENCE DESIGNATION
1	0073681000	GRILLE 215/610 PRO	
1	0074228000	*BADGE X-LARGE FBA	
1	0048847000	HORN FOSTER 8 OHM	
1	0054212000	INPUT MOUNTING PLATE SUNN 410H	
8	0030858000	SCRW SMA 8x5/8 PHP NI	
4	0026553000	SCRW M 8-32 x 3/8 PHP BLX	
4	0033380000	SCRW SMAB 8 x 1 THP BLX	
11	0036112000	SCRW SMAB 6 x 1-1/4 OHP BLX w/WS	
16	0057975000	SCREW M 10-32 x 1-1/4 FLHP STL BL	
22	0055734000	RUBBER FOOT 3/4" DIA	
4	0059644000	SCRW CAP 6-32x3/8 HEX SKT NI	
4	0069393000	NUT 6-32 HEX EXT LOCK	
1	0055831000	GASKET HORN BASSMAN SERIES	

* Non-serviceable part. Replace complete parent assembly. See PCB EXCHANGE POLICY section above.

shaded Unique Fender® part. Order directly from the FMIC Parts Department.

shaded + * Access to this part or assembly is controlled. Please contact the FMIC Customer Service Department.

** Safety Requirement part. Replacement must match Safety Agency...-Value, if specified -Type, if specified -Approval Mark(s) if on part.

shaded + ** Both a unique Fender® part and a Safety Requirement part as defined above.

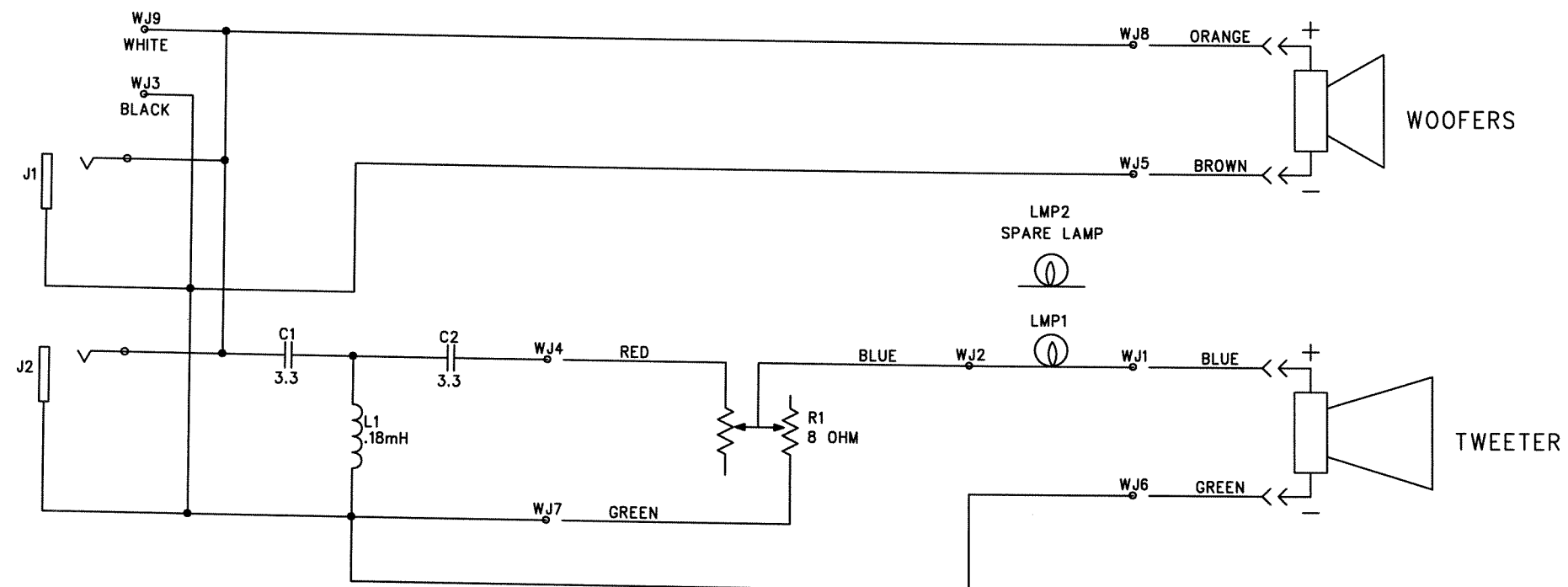


(This is the model name for warranty claims)


Schematics and Drawings

Service Diagram (Schematic)	Bassman 410 PRO
Input Assembly	FBA Bass Pro Speakers
End Item Assembly	215 PRO

R E V I S I O N S			
REV.	DESCRIPTION	DATE	APPROVED
B	EC2801	26-JUN-02	J K H

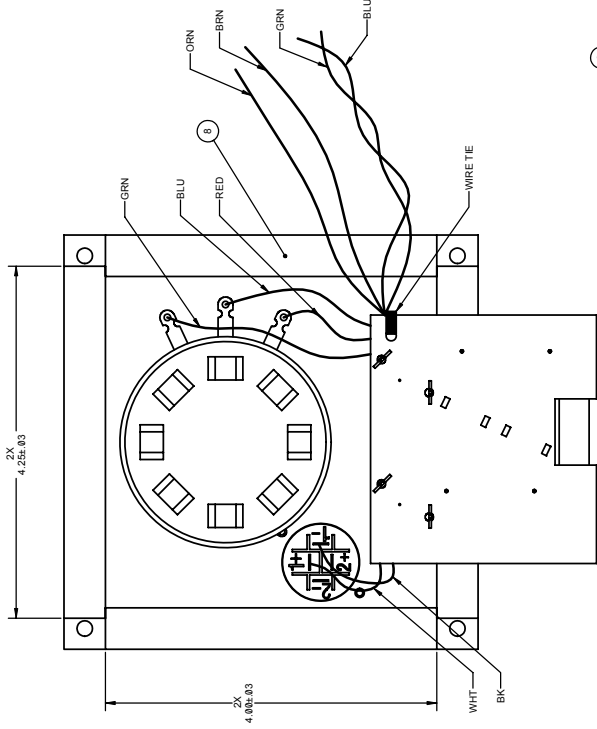


2. THIS SCHEMATIC IS FOR PCB FABRICATION P/N 0057978000 AND PCB ASSEMBLY P/N 0057979000.
 3. ALL UNPOLARIZED CAPACITORS IN μF , 10%; 250V.
 NOTES: (UNLESS OTHERWISE NOTED)

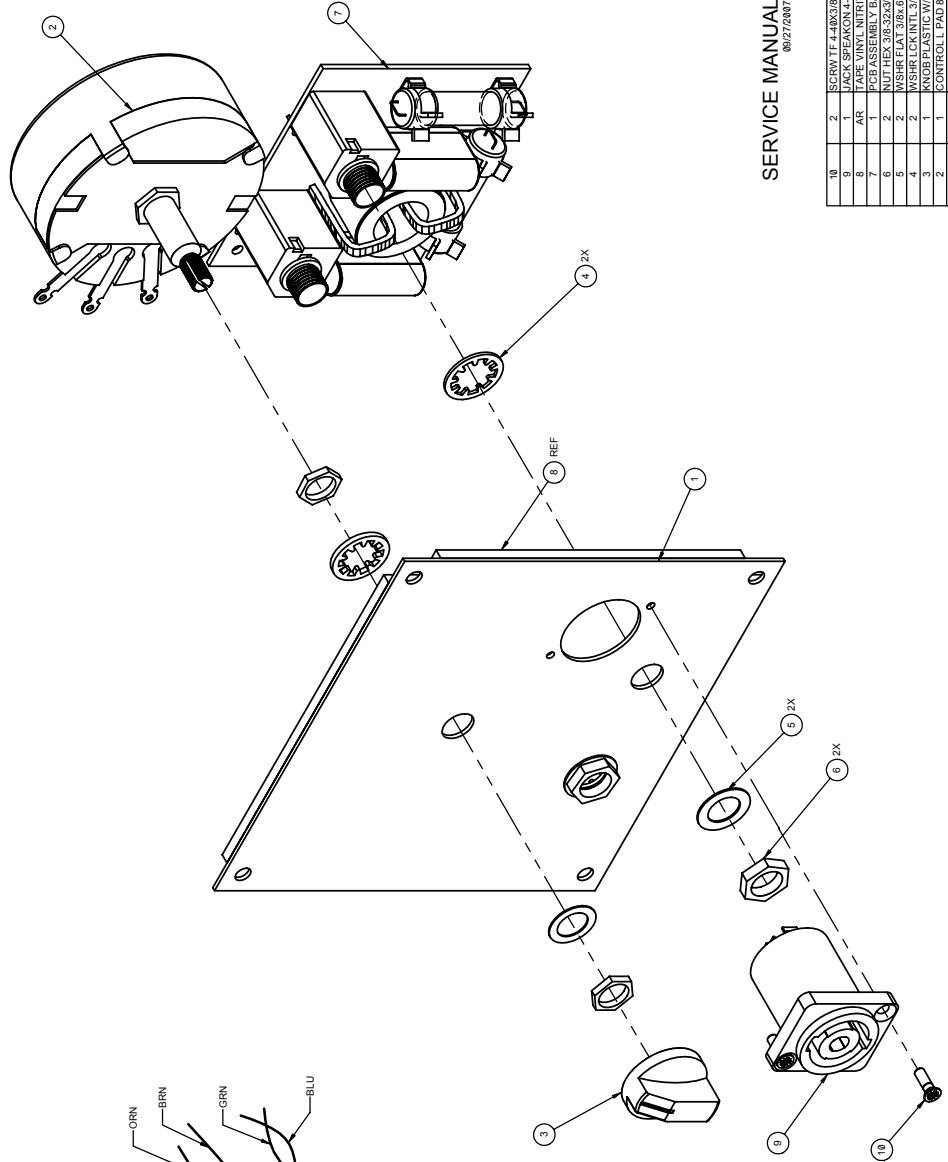
THIS DOCUMENT CONTAINS INFORMATION OF A PROPRIETARY NATURE TO FENDER MUSICAL INSTRUMENTS AND IS SUBMITTED TO YOU IN CONFIDENCE AND SHALL NOT BE DISCLOSED OR TRANSMITTED TO OTHERS WITHOUT AUTHORIZATION FROM FENDER MUSICAL INSTRUMENTS.		 MUSICAL INSTRUMENTS Corona, CA U.S.A.	
CHECKED BY: <u>[Signature]</u> DATE: <u>9 Jul 2002</u>		TITLE: SERVICE DIAGRAM, COMBINED (schematic) BASSMAN 410 PRO	
APPROVED BY: <u>J. HUBBARD</u> DATE: <u>9 JUL 2002</u>		SIZE B	DRAWING NUMBER 0059657000
DRAWN: DON FOX ENGR: J. HUBBARD DATABASE FILE: Z523S.SCH		RELEASE DATE: 28-MAR-02	REV. B SHEET: 1 OF 1

THIS DOCUMENT CONTAINS INFORMATION OF A PROPRIETARY NATURE TO FENDER. IT IS NOT TO BE REPRODUCED OR TRANSMITTED IN ANY FORM OR BY ANY MEANS, ELECTRONIC OR MECHANICAL, INCLUDING PHOTOCOPYING, RECORDING, OR BY ANY INFORMATION STORAGE AND RETRIEVAL SYSTEM, WITHOUT THE WRITTEN AUTHORIZATION FROM FENDER MUSICAL INSTRUMENTS CORP.

REV. ITEM NUMBER BY DATE/CHANGE



WIRING AND SOLDERING LOCATIONS



SERVICE MANUAL DOCUMENT
09/27/2007

ITEM	QTY	DESCRIPTION
10	2	SCREW T.F. 4-40X3/8 FHP BLK
9	1	JACK SPEAKER 4-POLE (N.L.A.M.P.)
8	1	PLATE INPUT FBA PRO SERIES
7	1	PCB ASSEMBLY BASS PRO SPEAKERS
6	2	NUT HEX 3/8-32X3/32 TK NI
5	2	WASHER FLAT 3/8X5/16 NI
4	2	WASHER LOCK INT'L 3/8X5/16X.065 NI
3	1	KNOB PLASTIC SWIPONTER COVER
2	1	SPEAKER 4" 16Ω 80MM
1	1	PLATE INPUT FBA PRO SERIES

ENGINEER	Fender	
DRAWN	FENDER MUSICAL INSTRUMENTS CORP. CORONA, CALIFORNIA U.S.A.	
DATE	08/17/2007	TITLE
DATE		DATE
DATE		DATE
DATE		DATE

MATERIAL		NONE
FINISH		NONE
TOL. UNLESS NOTED		
FRACT.		±.032
XX		±.015
XX		±.015
XX		±.015
HOLE DIA.		±.005 - .001
UNMARKED ANGLES ARE 90 DEGREES.		

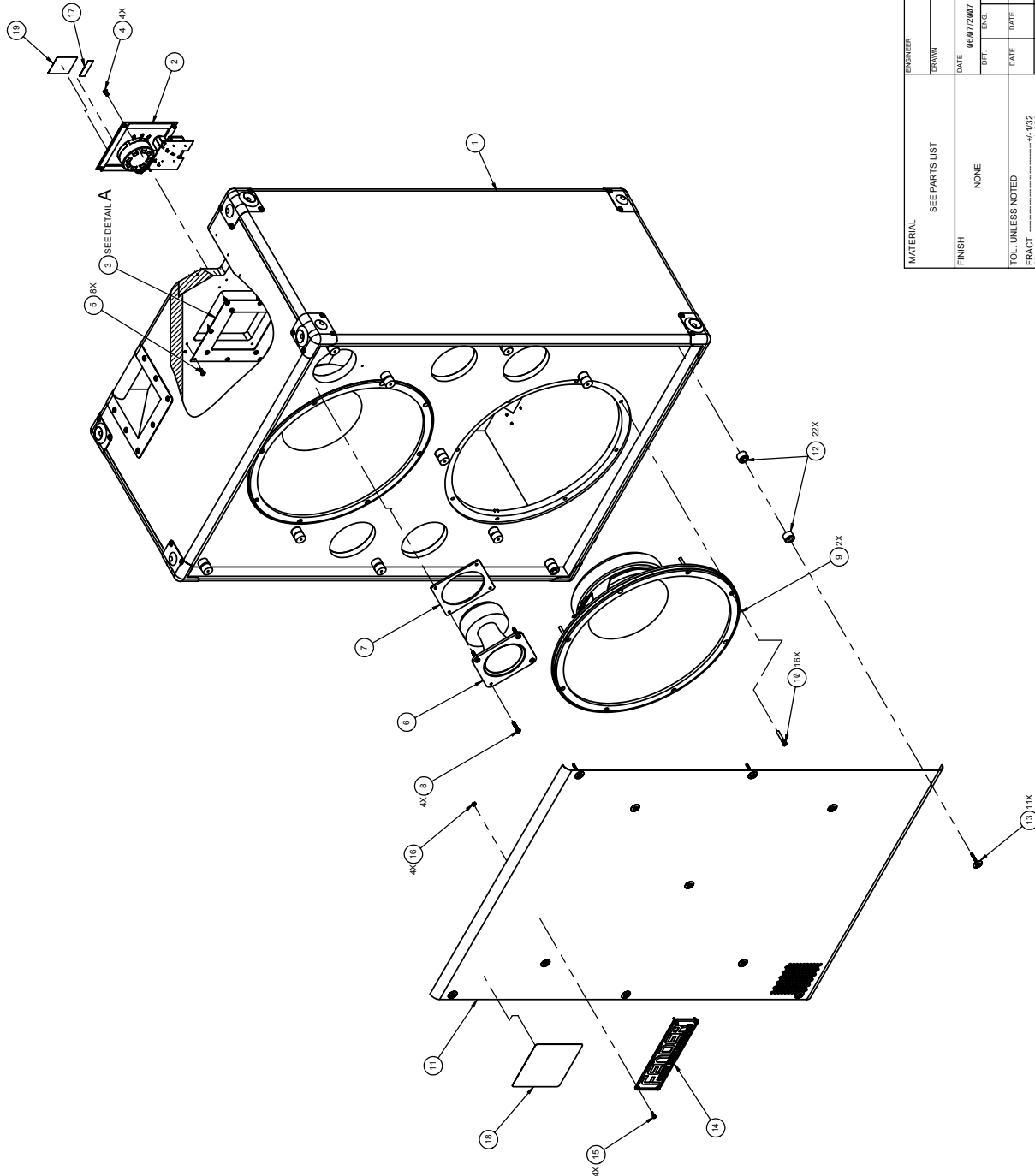
APPROVED	DATE
DATE	
DATE	
DATE	

ENGINEER	Fender	
DRAWN	FENDER MUSICAL INSTRUMENTS CORP. CORONA, CALIFORNIA U.S.A.	
DATE	08/17/2007	TITLE
DATE		DATE
DATE		DATE
DATE		DATE

INPUT ASSEMBLY FBA BASS PRO SPEAKERS	
SHEET	1 of 1
SCALE	D
REV	A
PART NUMBER	0075735000
ASSEMBLY	

THIS DOCUMENT CONTAINS INFORMATION OF A PROPRIETARY NATURE TO FENDER AND IS TO BE USED ONLY BY THE INDIVIDUALS AND ENTITIES AUTHORIZED BY FENDER MUSICAL INSTRUMENTS CORP. ANY REPRODUCTION OR TRANSMISSION OF THIS DOCUMENT TO OTHERS WITHOUT AUTHORIZATION FROM FENDER MUSICAL INSTRUMENTS CORP.

REV. ITEM NUMBER BY DATE/REVISION



SERVICE MANUAL DOCUMENT
002172007

(N.S.) = NOT SHOWN

ITEM	QTY	DESCRIPTION
20	1	WIRE SET FINAL 215 PRO (NLS.)
19	1	LABEL INPUT 215 PRO
18	1	LABEL SERIAL MEXICO
17	1	LABEL SERIAL MEXICO
16	4	NOTES: 32 HEX EXT LOCK
15	1	NOTES: 32 HEX EXT LOCK
14	1	NOTES: 32 HEX EXT LOCK
13	11	RUBBER FOOT 3/4" DIA
12	22	RUBBER FOOT 3/4" DIA
11	1	GRILLE 2150619 PRO
10	10	SCREW W/32X1.74 FLIP STL BL
9	10	SCREW W/32X1.74 FLIP STL BL
8	4	SCREW SMAB 8X1 THP BLX
7	1	GASKET HORN BASSMAN SERIES
6	1	HORN FOSTER 8 00HT
5	8	SCREW SMA 8X68 PHP NY
4	4	SCREW W/32X2.08 PHP NY
3	4	SCREW W/32X2.08 PHP NY
2	1	INPUT ASSEMBLY FBA BASS PRO SPEAKERS
1	1	CABINET ASSEMBLY 215 PRO

ENGINEER		DATE		DATE	
DRAWN		DATE		DATE	
MATERIAL		DATE		DATE	
SEE PARTS LIST		DATE		DATE	
FINISH		DATE		DATE	
NONE		DATE		DATE	
TOL. UNLESS NOTED		DATE		DATE	
FRACT. - .002		DATE		DATE	
XX - .015		DATE		DATE	
XX - .015		DATE		DATE	
XX - .015		DATE		DATE	
HOLE DIA. - .005 - .001		DATE		DATE	
UNMARKED ANGLES ARE 90 DEGREES.		DATE		DATE	

ENGINEER		DATE		DATE	
DRAWN		DATE		DATE	
MATERIAL		DATE		DATE	
SEE PARTS LIST		DATE		DATE	
FINISH		DATE		DATE	
NONE		DATE		DATE	
TOL. UNLESS NOTED		DATE		DATE	
FRACT. - .002		DATE		DATE	
XX - .015		DATE		DATE	
XX - .015		DATE		DATE	
XX - .015		DATE		DATE	
HOLE DIA. - .005 - .001		DATE		DATE	
UNMARKED ANGLES ARE 90 DEGREES.		DATE		DATE	

ENGINEER		DATE		DATE	
DRAWN		DATE		DATE	
MATERIAL		DATE		DATE	
SEE PARTS LIST		DATE		DATE	
FINISH		DATE		DATE	
NONE		DATE		DATE	
TOL. UNLESS NOTED		DATE		DATE	
FRACT. - .002		DATE		DATE	
XX - .015		DATE		DATE	
XX - .015		DATE		DATE	
XX - .015		DATE		DATE	
HOLE DIA. - .005 - .001		DATE		DATE	
UNMARKED ANGLES ARE 90 DEGREES.		DATE		DATE	

ENGINEER		DATE		DATE	
DRAWN		DATE		DATE	
MATERIAL		DATE		DATE	
SEE PARTS LIST		DATE		DATE	
FINISH		DATE		DATE	
NONE		DATE		DATE	
TOL. UNLESS NOTED		DATE		DATE	
FRACT. - .002		DATE		DATE	
XX - .015		DATE		DATE	
XX - .015		DATE		DATE	
XX - .015		DATE		DATE	
HOLE DIA. - .005 - .001		DATE		DATE	
UNMARKED ANGLES ARE 90 DEGREES.		DATE		DATE	

ENGINEER		DATE		DATE	
DRAWN		DATE		DATE	
MATERIAL		DATE		DATE	
SEE PARTS LIST		DATE		DATE	
FINISH		DATE		DATE	
NONE		DATE		DATE	
TOL. UNLESS NOTED		DATE		DATE	
FRACT. - .002		DATE		DATE	
XX - .015		DATE		DATE	
XX - .015		DATE		DATE	
XX - .015		DATE		DATE	
HOLE DIA. - .005 - .001		DATE		DATE	
UNMARKED ANGLES ARE 90 DEGREES.		DATE		DATE	

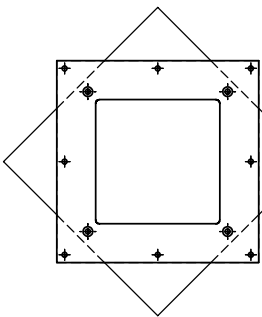
ENGINEER		DATE		DATE	
DRAWN		DATE		DATE	
MATERIAL		DATE		DATE	
SEE PARTS LIST		DATE		DATE	
FINISH		DATE		DATE	
NONE		DATE		DATE	
TOL. UNLESS NOTED		DATE		DATE	
FRACT. - .002		DATE		DATE	
XX - .015		DATE		DATE	
XX - .015		DATE		DATE	
XX - .015		DATE		DATE	
HOLE DIA. - .005 - .001		DATE		DATE	
UNMARKED ANGLES ARE 90 DEGREES.		DATE		DATE	

BLACK WIRE FROM UPPER SPEAKER
TO LOWER SPEAKER
WHITE WIRE FROM UPPER SPEAKER
TO LOWER SPEAKER
GREEN WIRE FROM INPUT ASSEMBLY
TO 2" ON TWEETER
BLUE WIRE FROM INPUT ASSEMBLY
TO 4" ON TWEETER
ORANGE WIRE FROM INPUT ASSEMBLY
TO 2" ON UPPER SPEAKER
ORANGE WIRE FROM INPUT ASSEMBLY
TO 4" ON UPPER SPEAKER

END ITEM ASSEMBLY 215 PRO

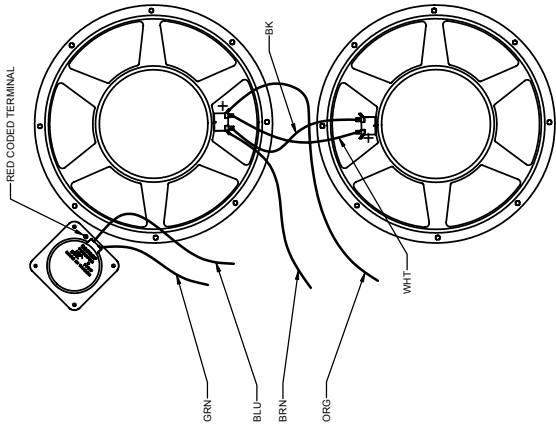
REV	2215200000
ASSEMBLY	A
DRAWING NUMBER	D
SCALE	NONE
SHEET	1 OF 2
DATE	

THIS DOCUMENT CONTAINS INFORMATION OF A PROPRIETARY NATURE TO FENDER. IT IS NOT TO BE REPRODUCED, COPIED, TRANSMITTED, OR OTHERWISE DISCLOSED WITHOUT AUTHORIZATION FROM FENDER MUSICAL INSTRUMENTS CORP.

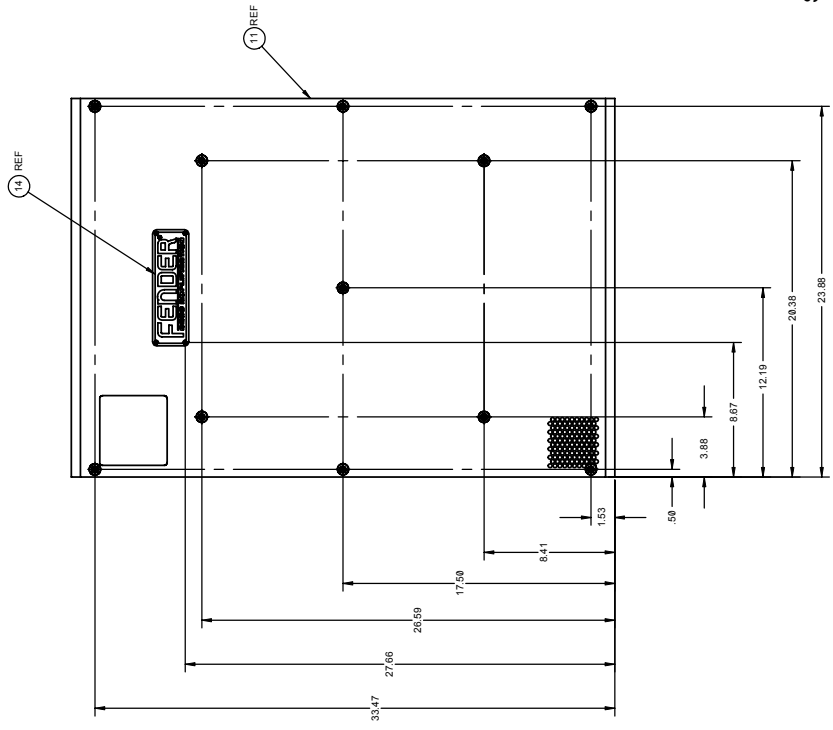


DETAIL A
SOME PARTS OMITTED FOR CLARITY

CUT AWAY PLAS REF ALONG BOTTOM EDGE OF ITEM 3 (INPUT MOUNTING PLATE)



SPEAKER ORIENTATION DETAIL
SEE NOTES ON SHEET 2 FOR WIRE CONNECTIONS
SCALE: NONE



LOGO, P.O.F. LABEL, PLACEMENT AND STANDOFF DETAIL AS SHOWN WILL PERMIT SCALE: NONE

SERVICE MANUAL DOCUMENT
08/27/2007

ENGINEER	DATE	DATE	DATE	TITLE
DRAWN	08/07/2007			END ITEM ASSEMBLY 215 PRO
DATE				FENDER MUSICAL INSTRUMENTS CORP. CORONA, CALIFORNIA U.S.A.
APPROVED				
DATE				
SIZE	PART NUMBER	SHEET	SCALE	REV
D	2215200000	2 of 2	NONE	A
ASSEMBLY				1