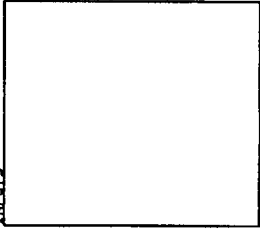
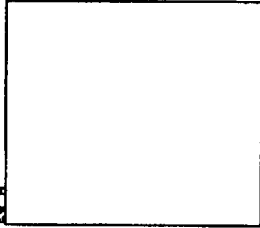


TL Audio	Copyright 1996
Title	EQ 3012 CRIMSON PARAMETRIC
Size	8
Document Number	CD1148
REV	1
Date	March 15, 1996 Sheet 1 of 1

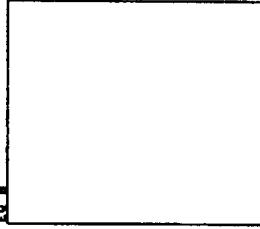
INPUTS



EQ. A



EQ. B

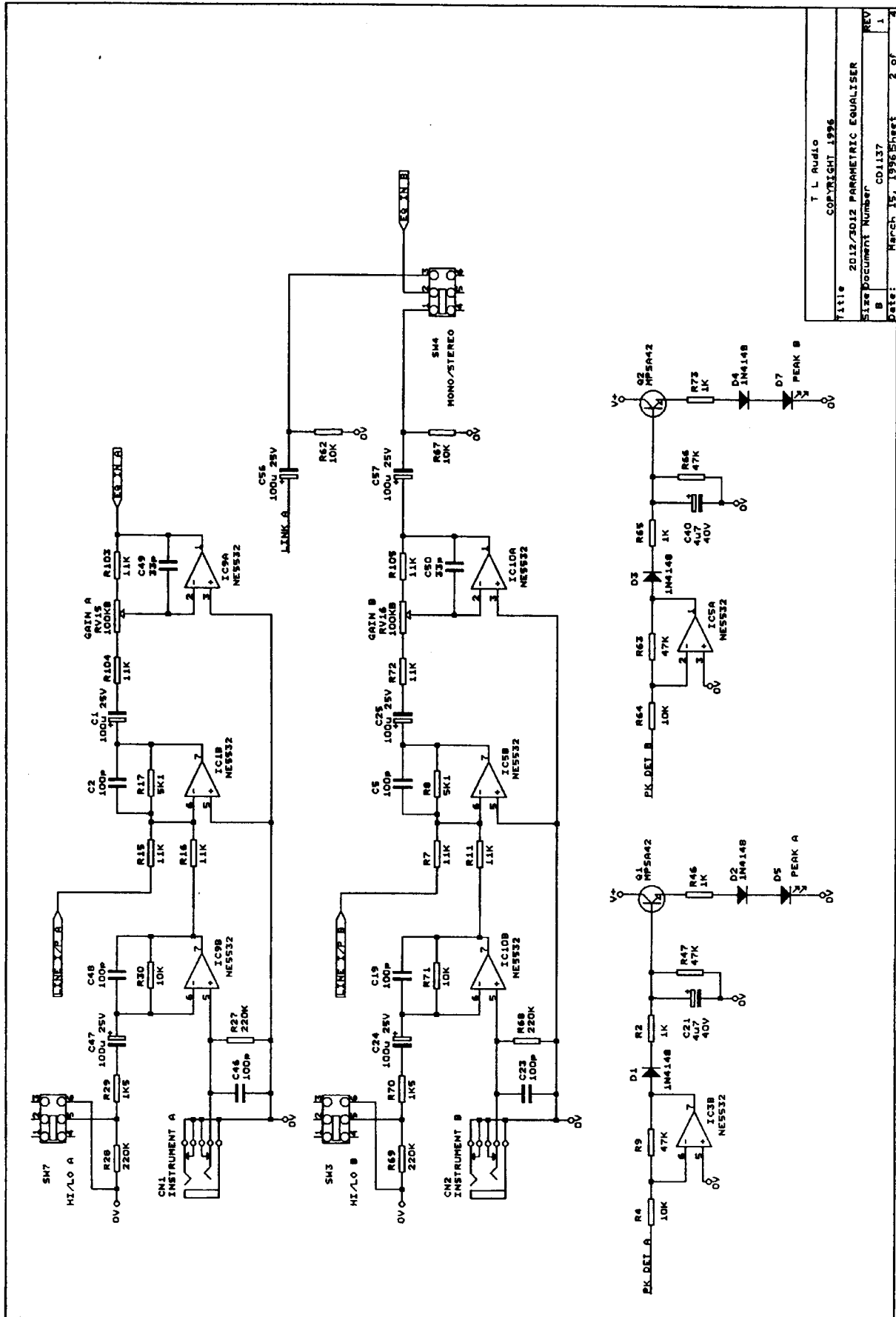


TL Audio  
COPYRIGHT 1995

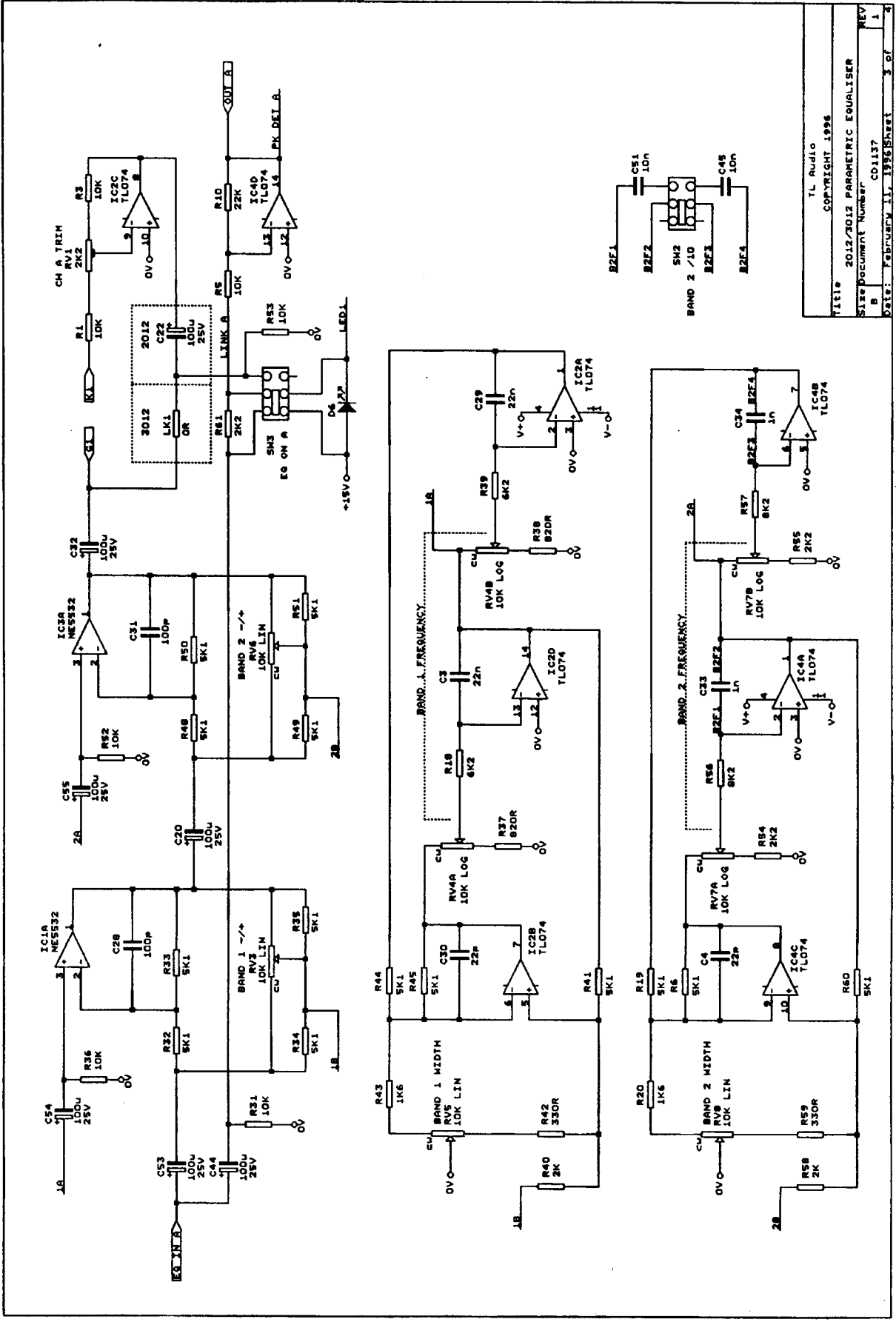
TITLE 2012/2012 PARAMETRIC EQUALISER

Size Document Number CD1137 REV 1

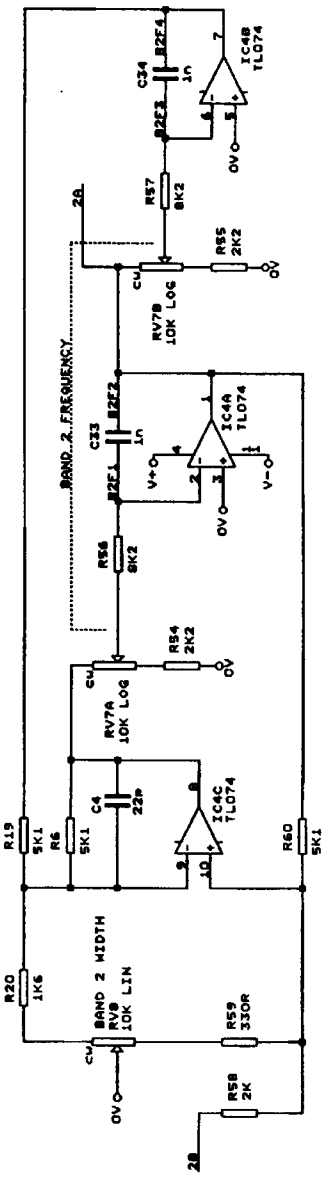
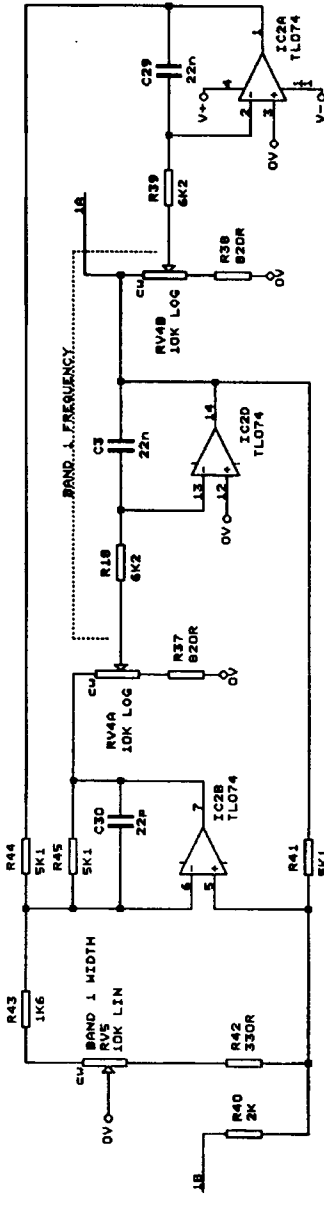
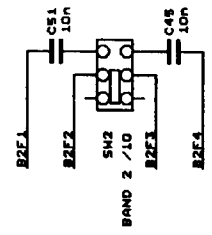
Date: February 11, 1995 Sheet 1 of 4

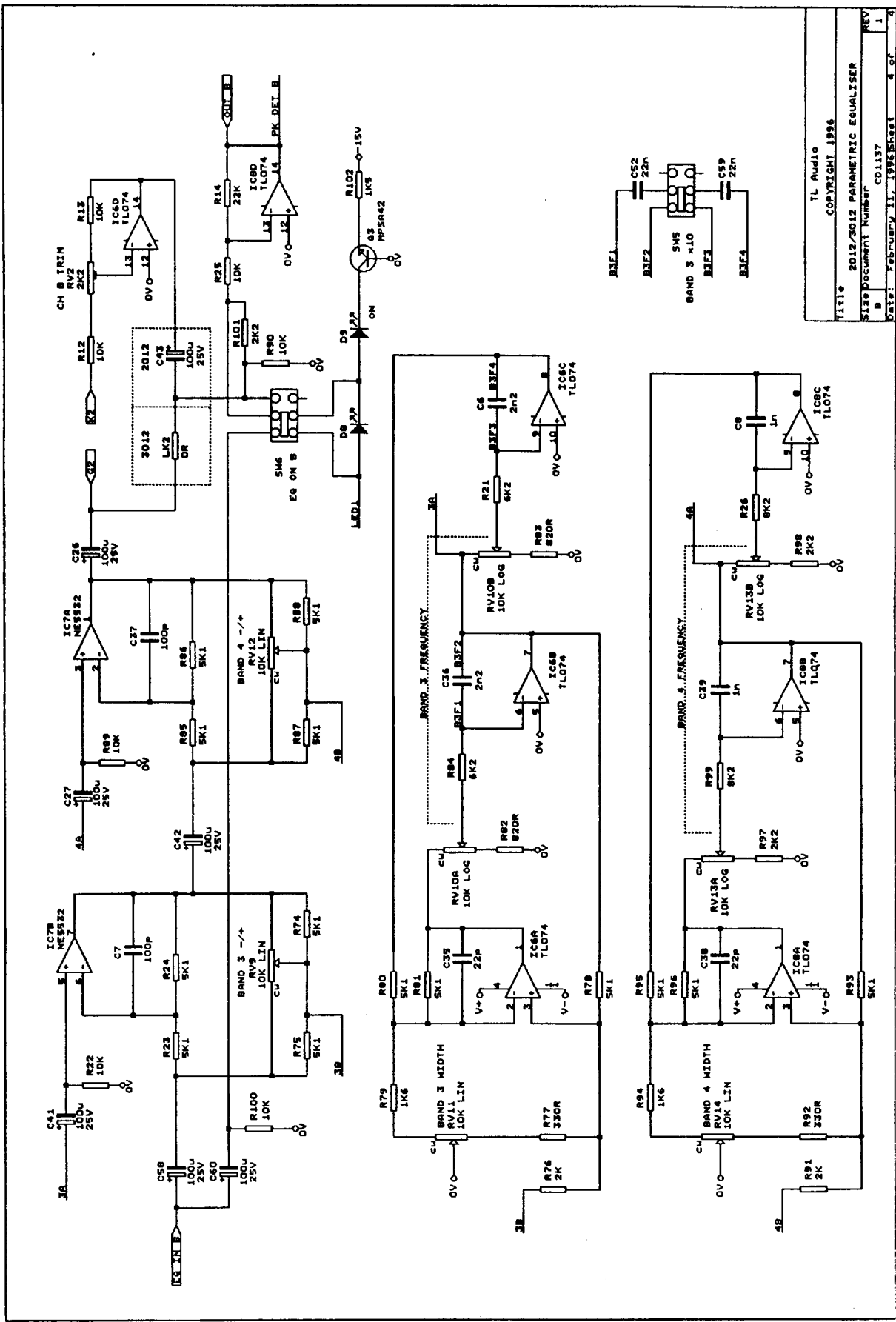


T L Audio  
 COPYRIGHT 1996  
 TITLE 2012/2012 PARAMETRIC EQUALISER  
 SIZE Document Number COL137  
 REV 1  
 DATE: March 15, 1996 Sheet 2 of 4



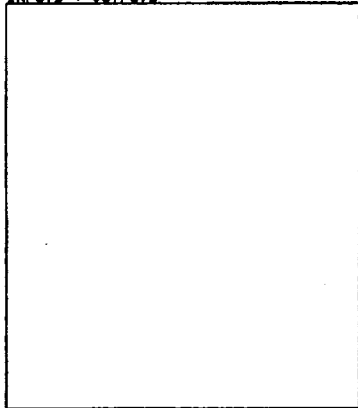
TL Audio  
 COPYRIGHT 1996  
 Title 2012/2012 PARAMETRIC EQUALISER  
 Size Document Number CD1137  
 B  
 Date: FEBRUARY 11, 1996 SHRT 3 of 4



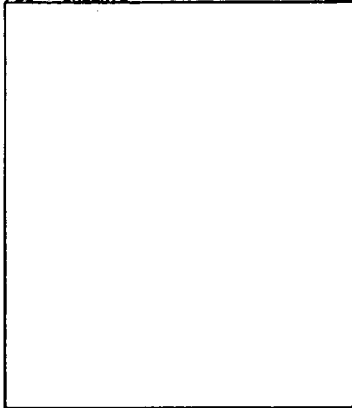


TITLE TL Audio  
 COPYRIGHT 1996  
 2012/2012 PARAMETRIC EQUALISER  
 Size Document Number COL137  
 REV 1  
 DATE: FEBRUARY 11, 1995 SHEET 4 OF 4

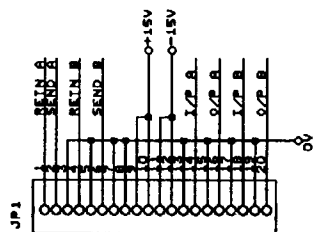
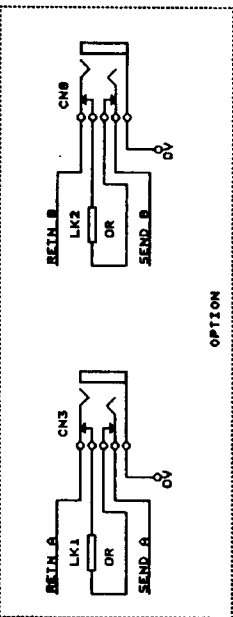
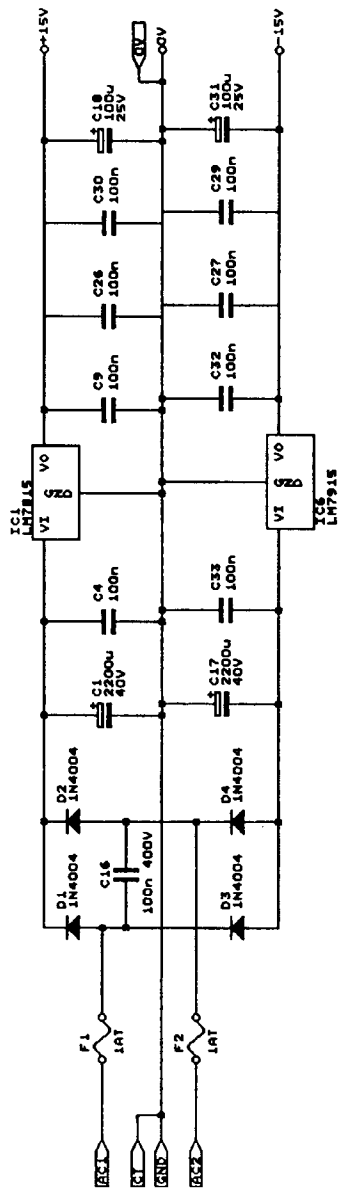
INPUTS + OUTPUTS



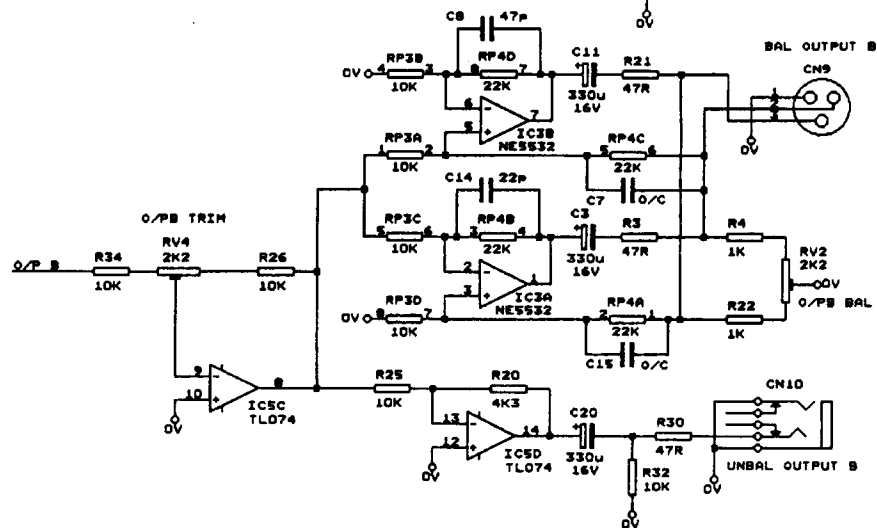
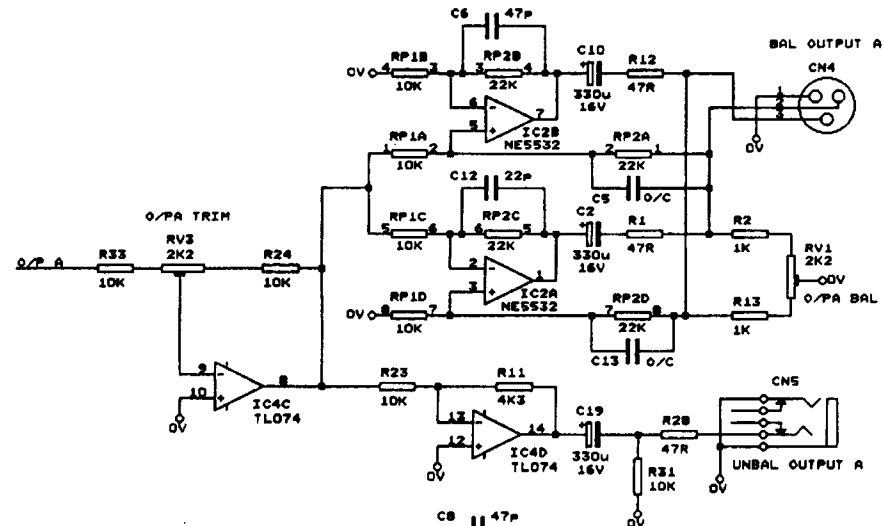
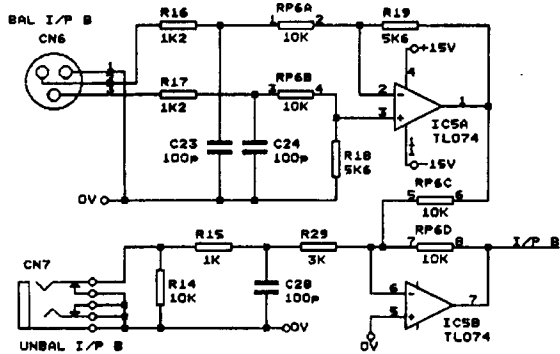
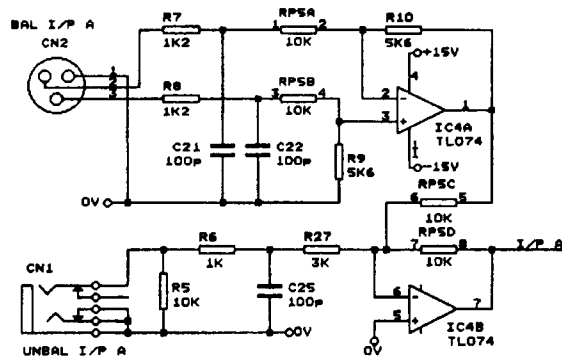
PSU + INSERTS



TL Audio		
COPYRIGHT 1996		
Title		
STANDARD I/O PCB		
Size	Document Number	REV
B	CD1133	1
Date: February 11, 1996 Sheet 1 of 3		



TL Audio	
COPYRIGHT 1996	
STANDARD I/O PCB	
Size document Number	CD1133
REV	1
DATE	FEBRUARY 11, 1996
OF	2 OF 3



TL Audio	
COPYRIGHT 1996	
Title STANDARD I/O PCB	
Size Document Number	REV
B	1
Date: February 11, 1996	Sheet 3 of 3