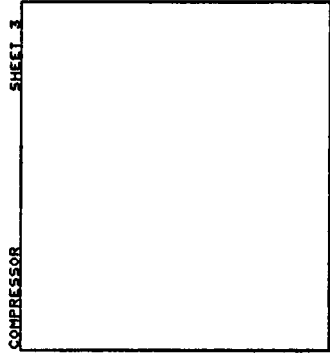


MIC INPUT SHEET 2

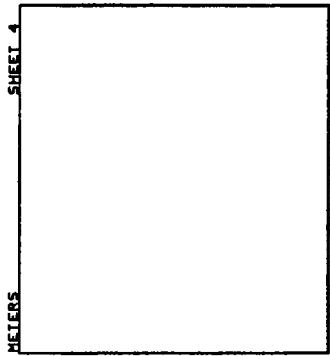
METERS SHEET 4

COMPRESSOR SHEET 3



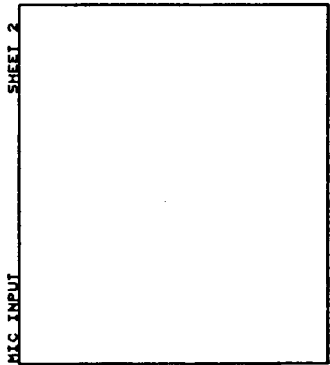
MIC INPUT SHEET 2

METERS SHEET 4

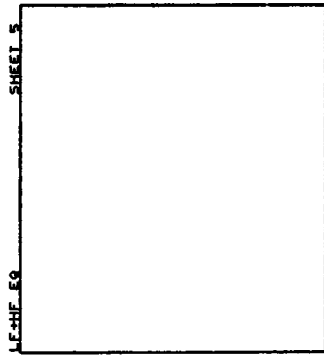


MIC INPUT SHEET 2

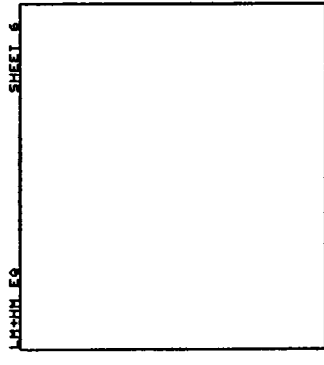
METERS SHEET 4



LF-HF EQ SHEET 5



LF-HF EQ SHEET 5



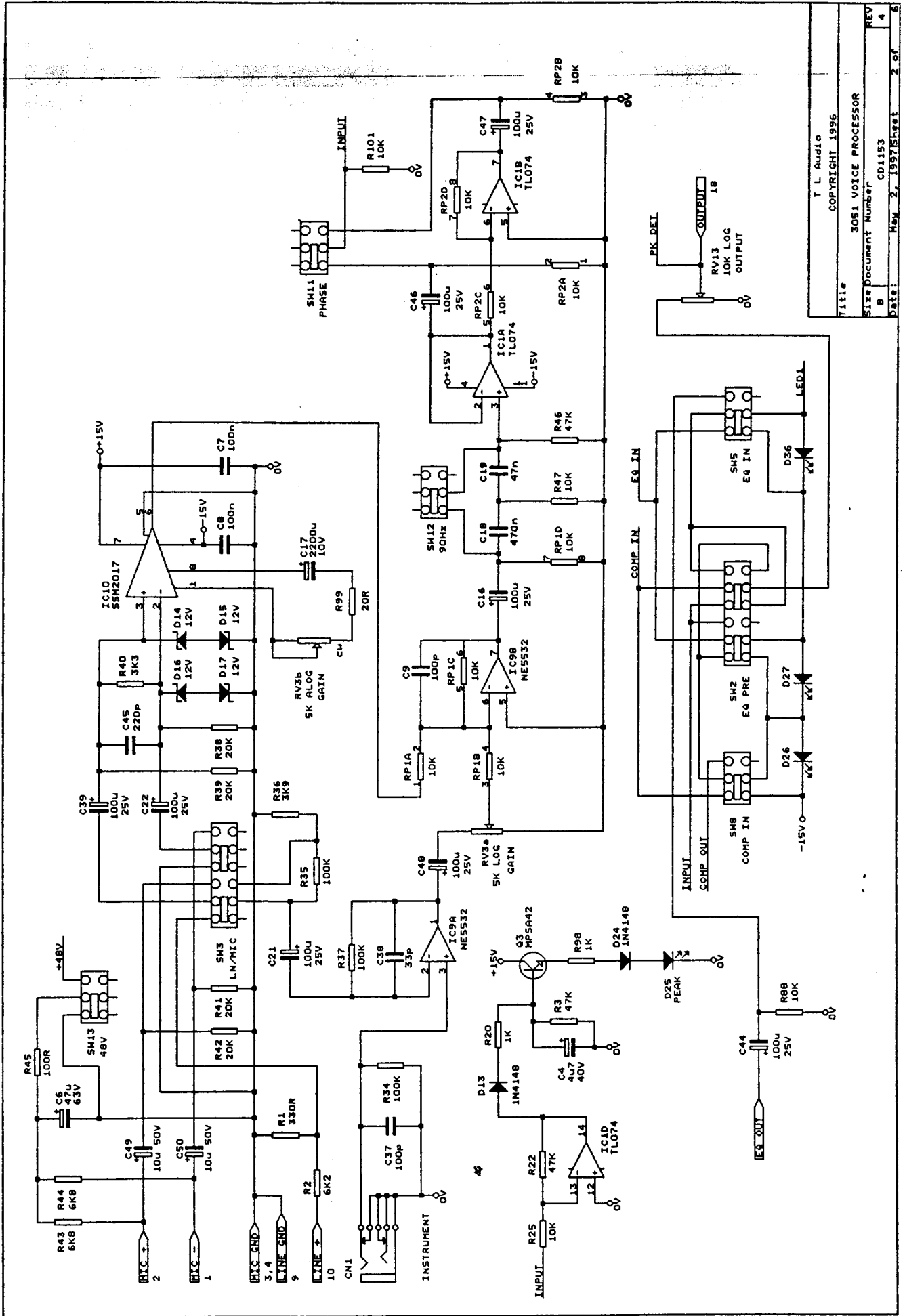
T L Audio
COPYRIGHT 1996

Title 3051 VOICE PROCESSOR

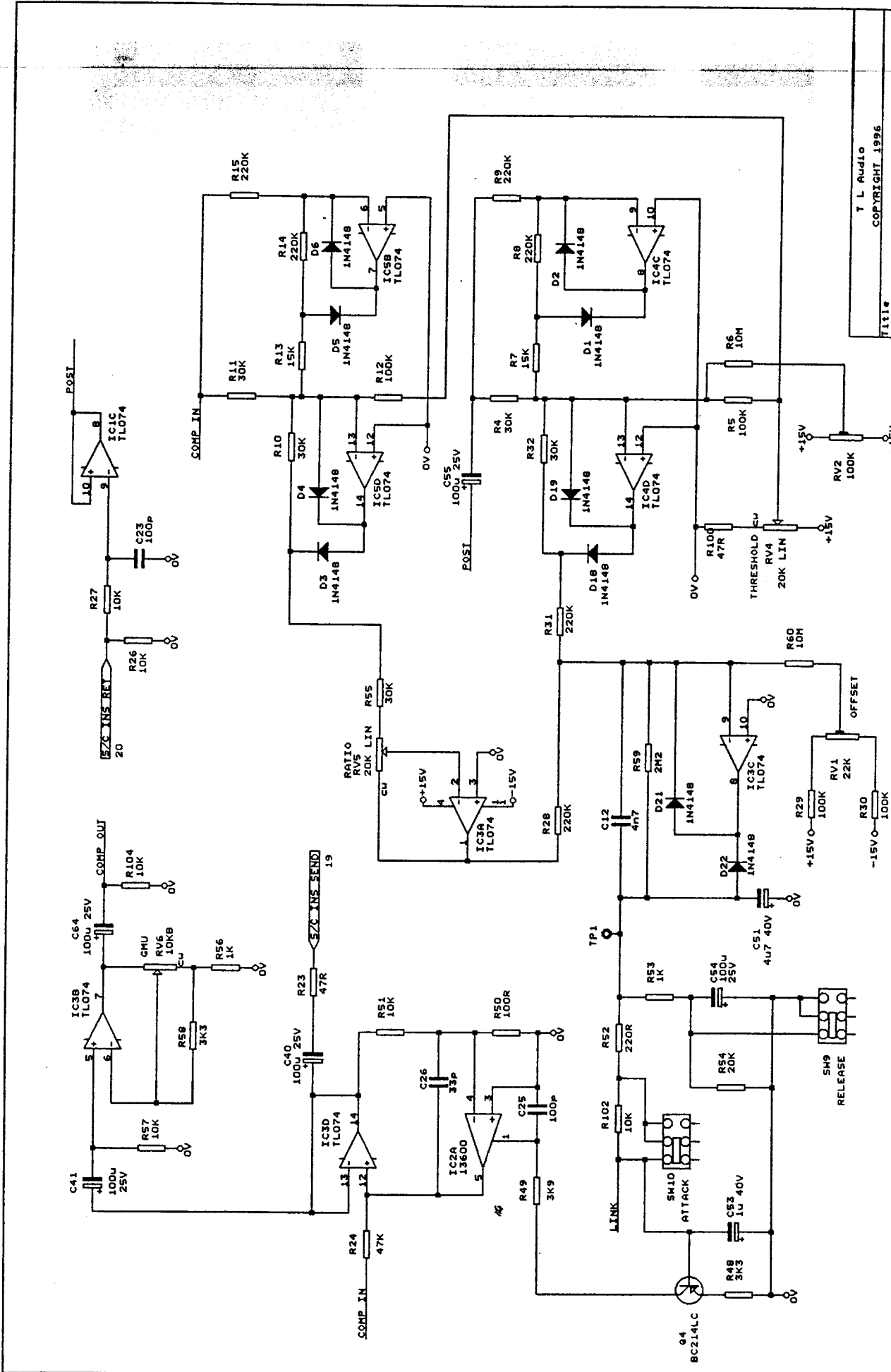
Size Document Number 8 CD1153

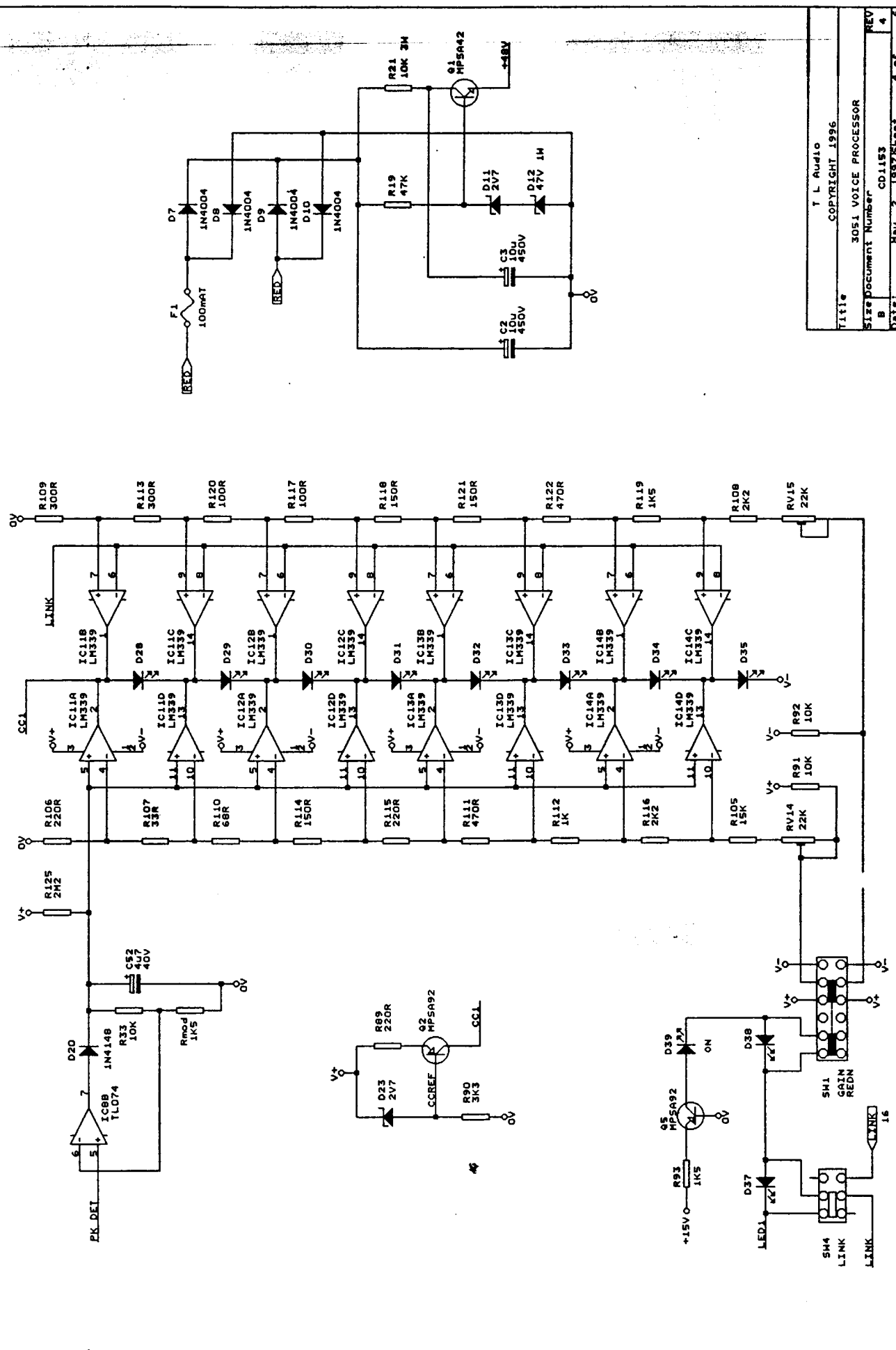
REV 4

Date: Nov 2, 1997 Sheet 1 of 6

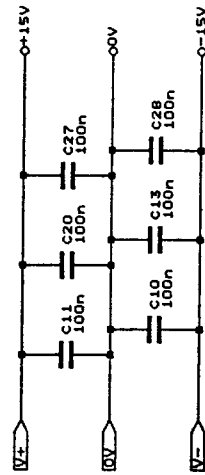
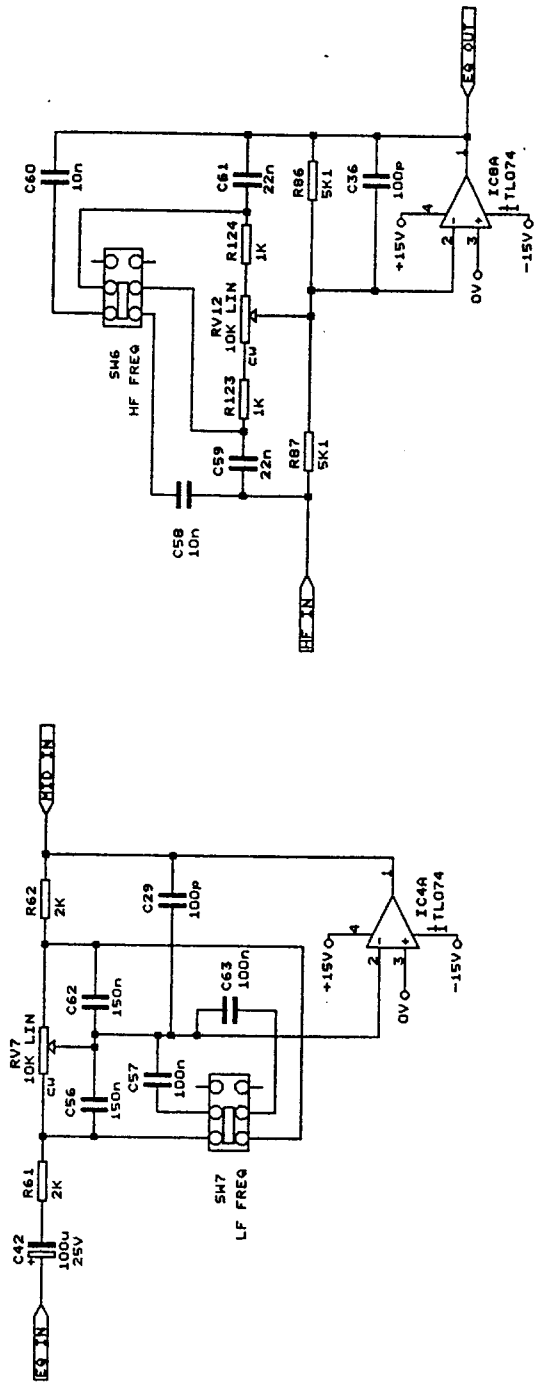


Title: T L Audio
 Copyright 1996
 Size: 3051 VOICE PROCESSOR
 Document Number: CD1153
 Date: May 2, 1997 Sheet 2 of 6





Title	T L Audio
Copyright	COPYRIGHT 1996
Size Document Number	3051 VOICE PROCESSOR
REV	CD1153
REV	4
Date	May 2, 1997 Sheet 4 of 6



TL Audio	
COPYRIGHT 1996	
Title 3051 VOICE PROCESSOR	
Size	Document Number CD1153
REV	4
Date	May 2, 1997 Sheet 5 of 6

