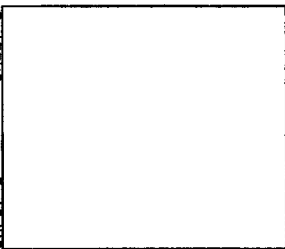
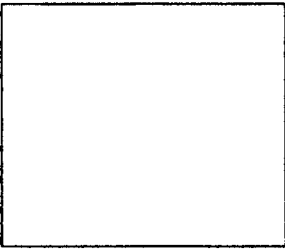


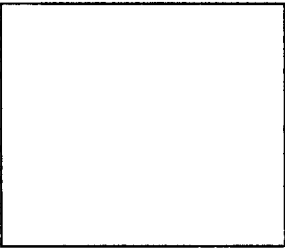
INPUT 1 SHEET 2



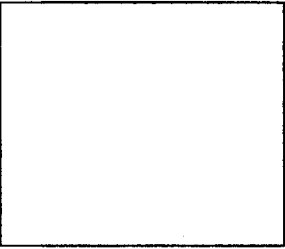
LEA/H EQ 1 SHEET 3



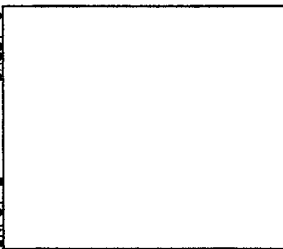
HM/HF EQ 1 SHEET 4



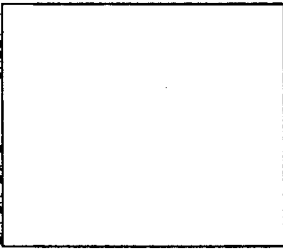
OUTPUTS SHEET 5



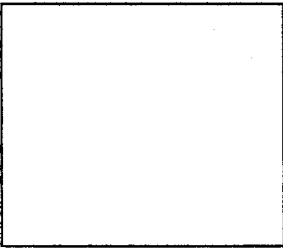
INPUT 2 SHEET 6



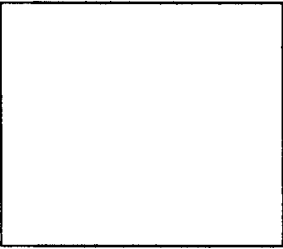
LEA/H EQ 2 SHEET 7



HM/HF EQ 2 SHEET 8



PSU SHEET 9



NOTES FOR QUALIFIED SERVICE ENGINEERS

The following voltages exist within this unit under normal working circumstances: 230V (115V) AC Mains and 180V DC.
These voltages may take several minutes to decay after the unit is switched off.

CARE MUST BE TAKEN WHEN FAULT FINDING.

- DO NOT handle the PCB while the unit is connected to the Mains Supply.
- DO NOT use screws with different type or length than those currently fitted.
- DO NOT remove EARTH wires under any circumstances.
- REPLACE all covers removed during servicing.
- During reassembly DO NOT allow wires to be trapped.

IF IN DOUBT RETURN UNIT TO SUPPLIER.

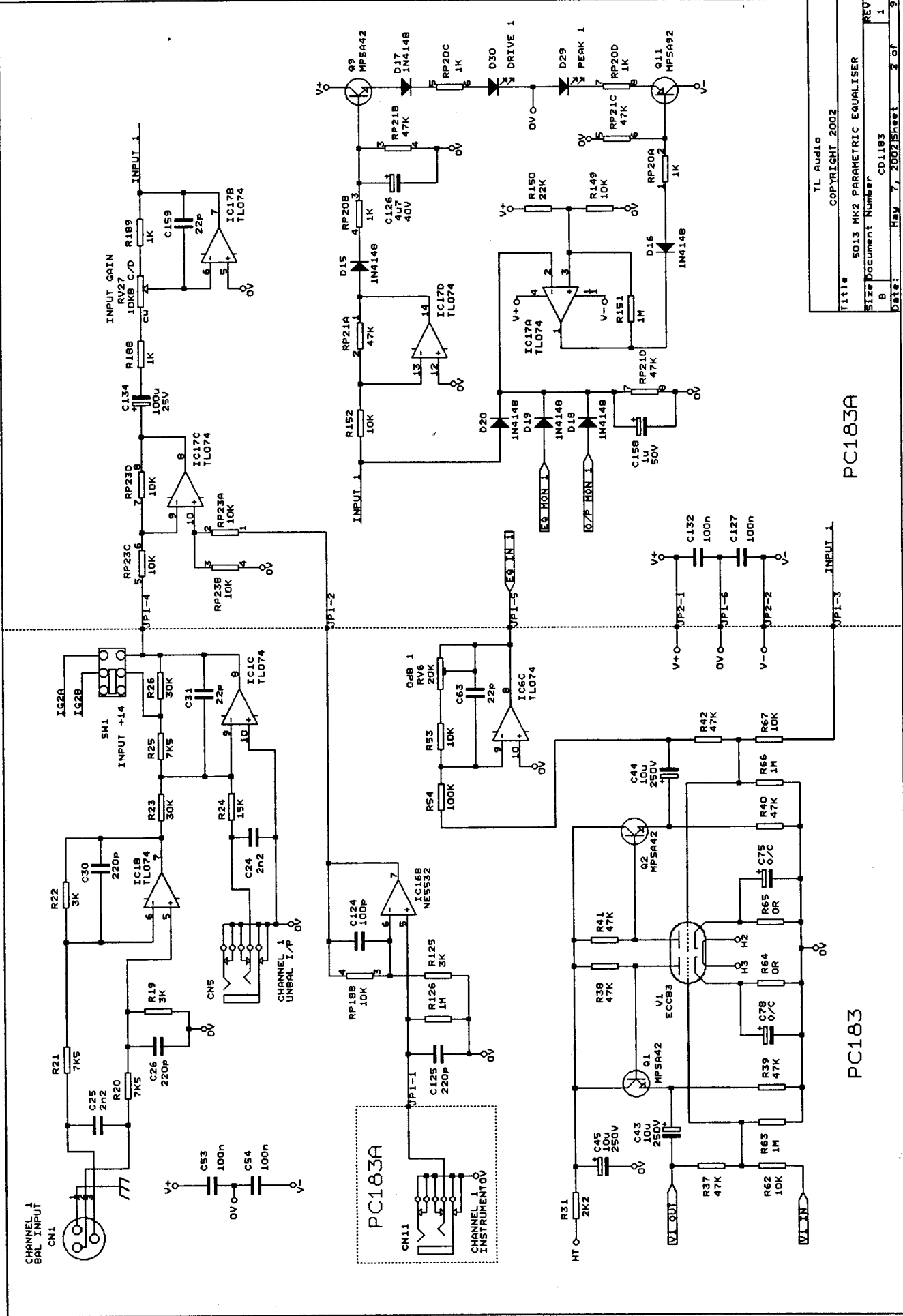
Title TL Audio
COPYRIGHT 2002

Size 5013 MK2 PARAMETRIC EQUALISER

Size Document Number B

CD1183

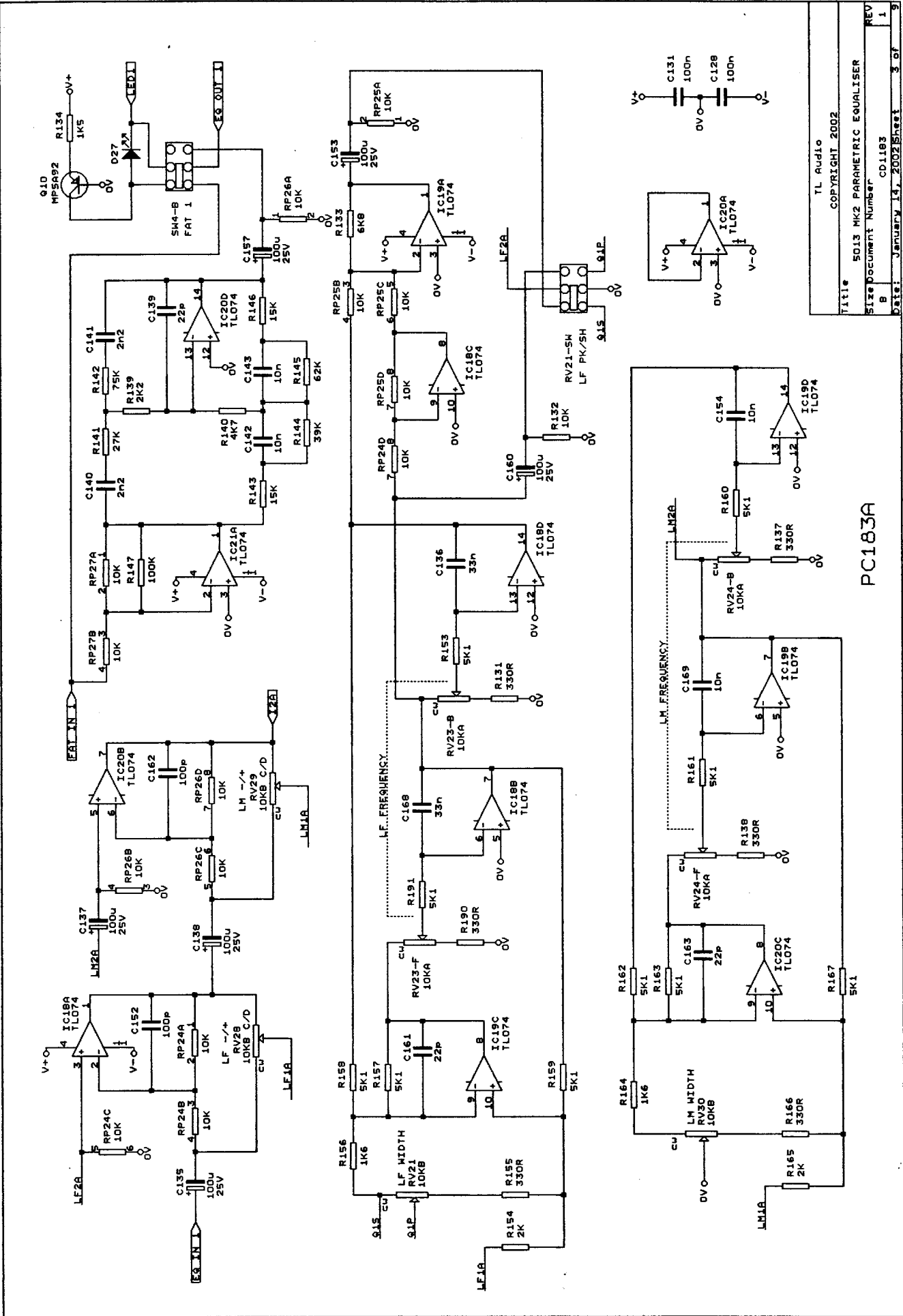
Date: January 14, 2002 Sheet 1 of 9



TL Audio
 COPYRIGHT 2002
 Title 5013 MK2 PARAMETRIC EQUALISER
 Size Document Number CD1183
 REV 1
 Date: Nov 7, 2002 Sheet 2 of 3

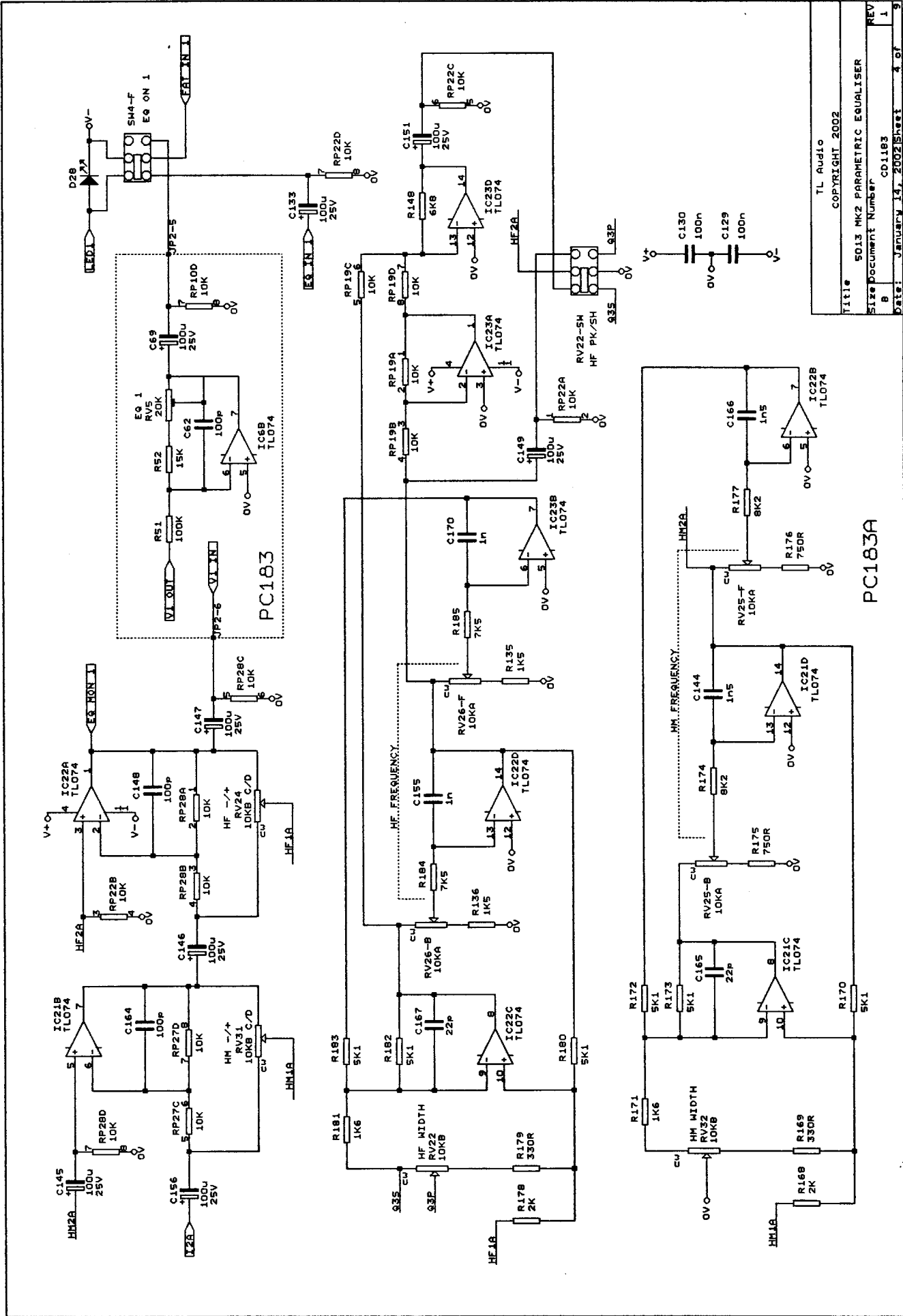
PC183A

PC183B



TL Audio
 COPYRIGHT 2002
 Title 5013 MK2 PARAMETRIC EQUALISER
 Size Document Number B C01183
 Date: January 14, 2002 Sheet 3 of 3

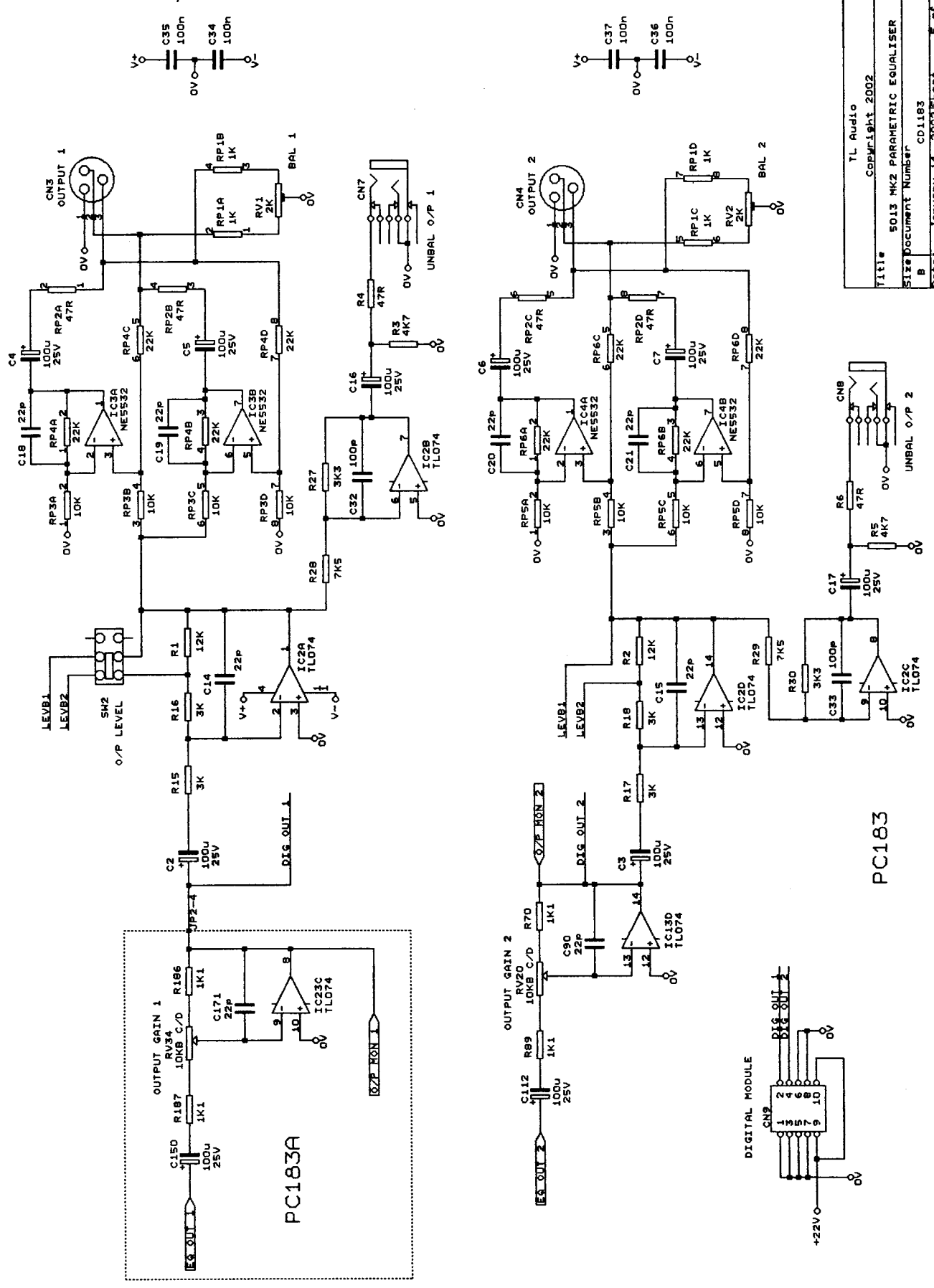
PC183A



PC183

PC183A

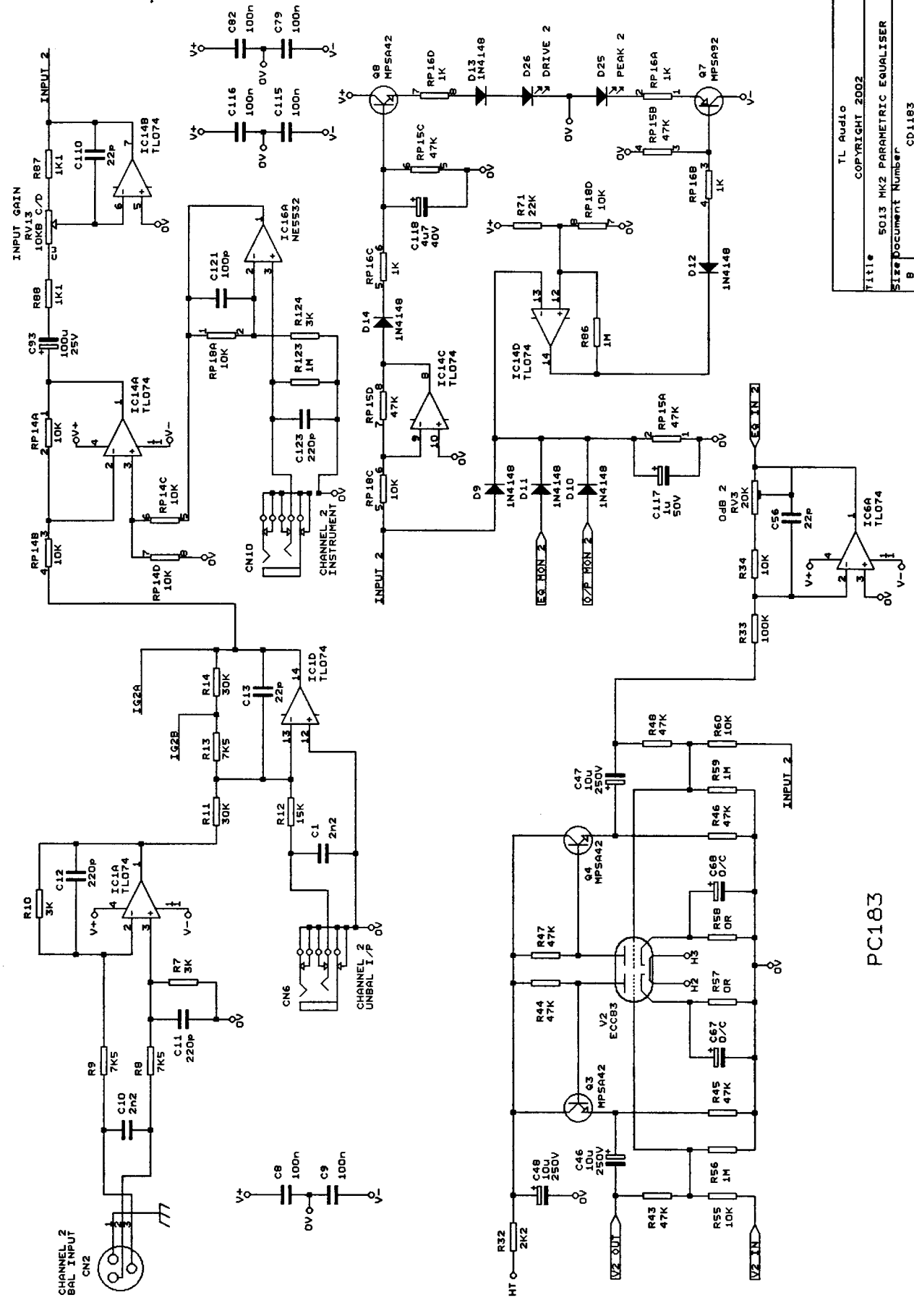
TL Audio
 COPYRIGHT 2002
 Title 5013 MK2 PARAMETRIC EQUALISER
 Size Document Number CD183
 B
 Date: January 14, 2002 Sheet 4 of 9



PC183A

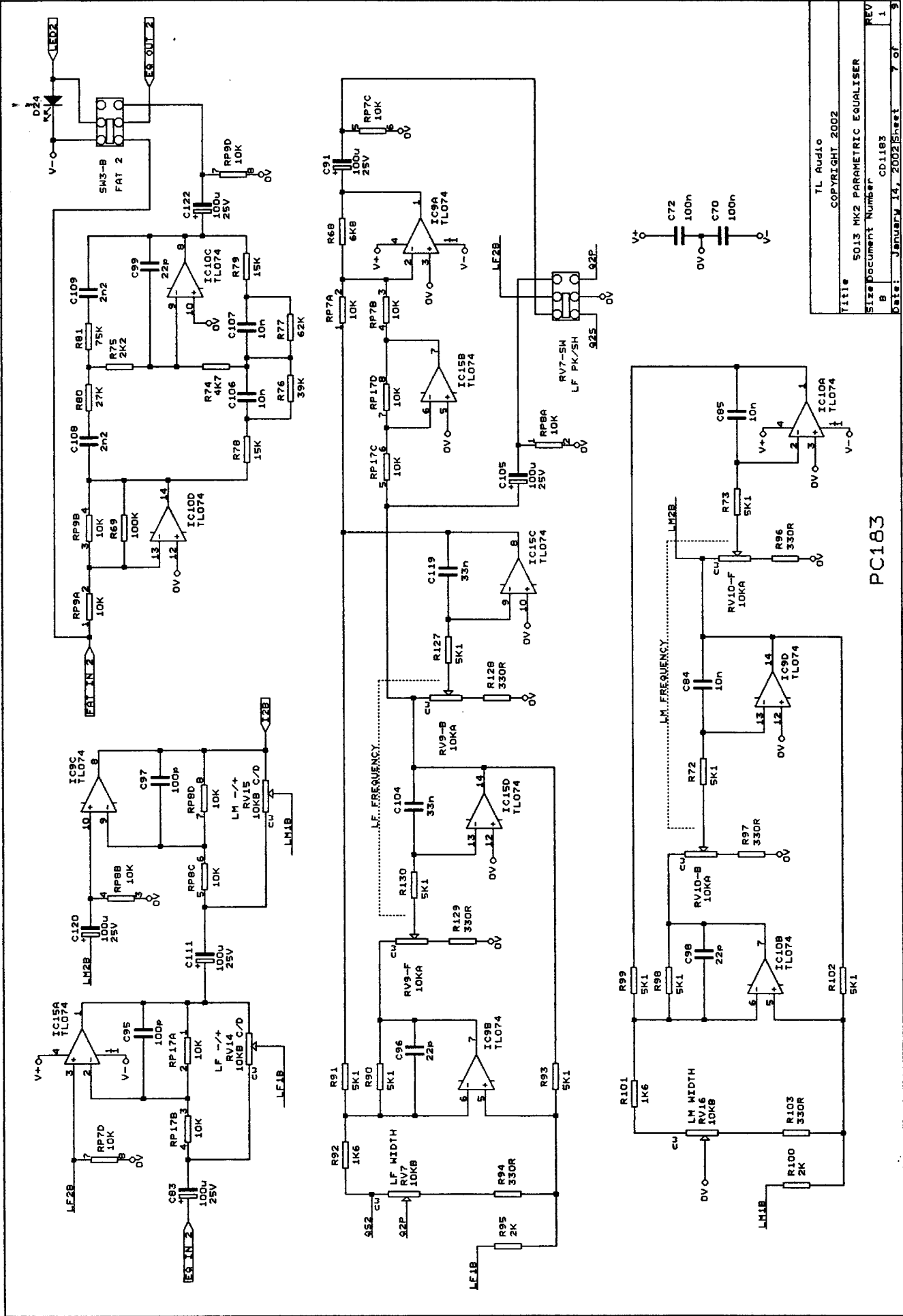
PC183

TL Audio	
Copyright 2002	
Title	5013 MK2 PARAMETRIC EQUALISER
Size	Document Number CD1183
REV	1
Date	January 13, 2002 Sheet 1 of 3

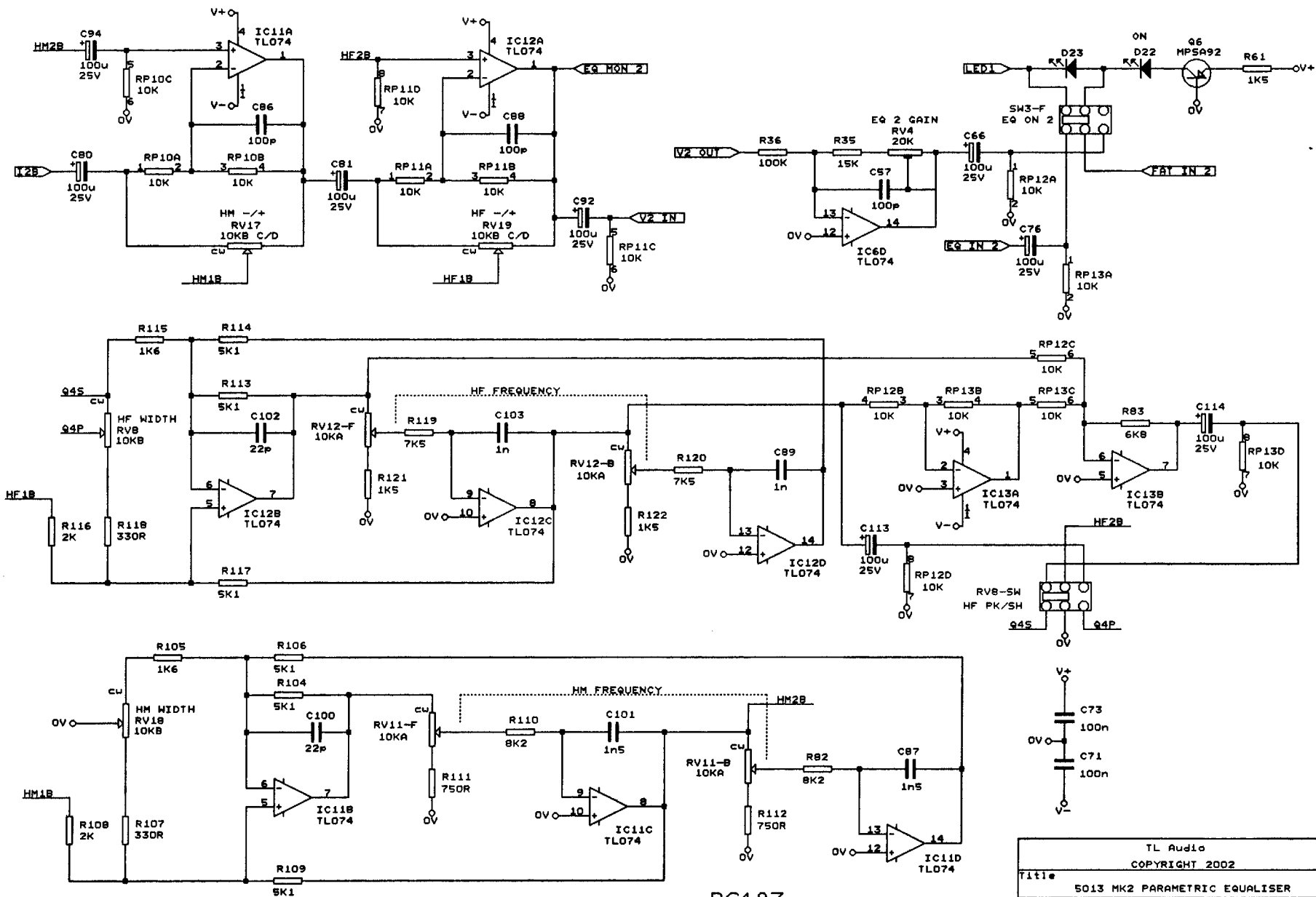


PC183

TL Audio	Copyright 2002
Title	5013 MK2 PARAMETRIC EQUALISER
Size	Document Number CD1183
REV	1
Date:	Nov 7, 2002 Sheet 6 of 9

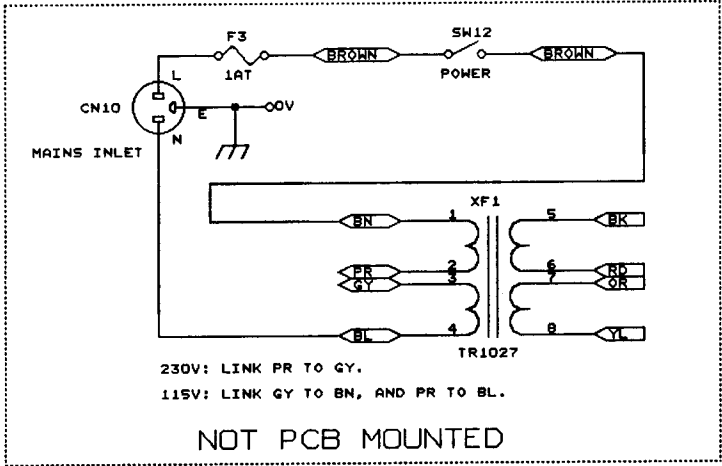
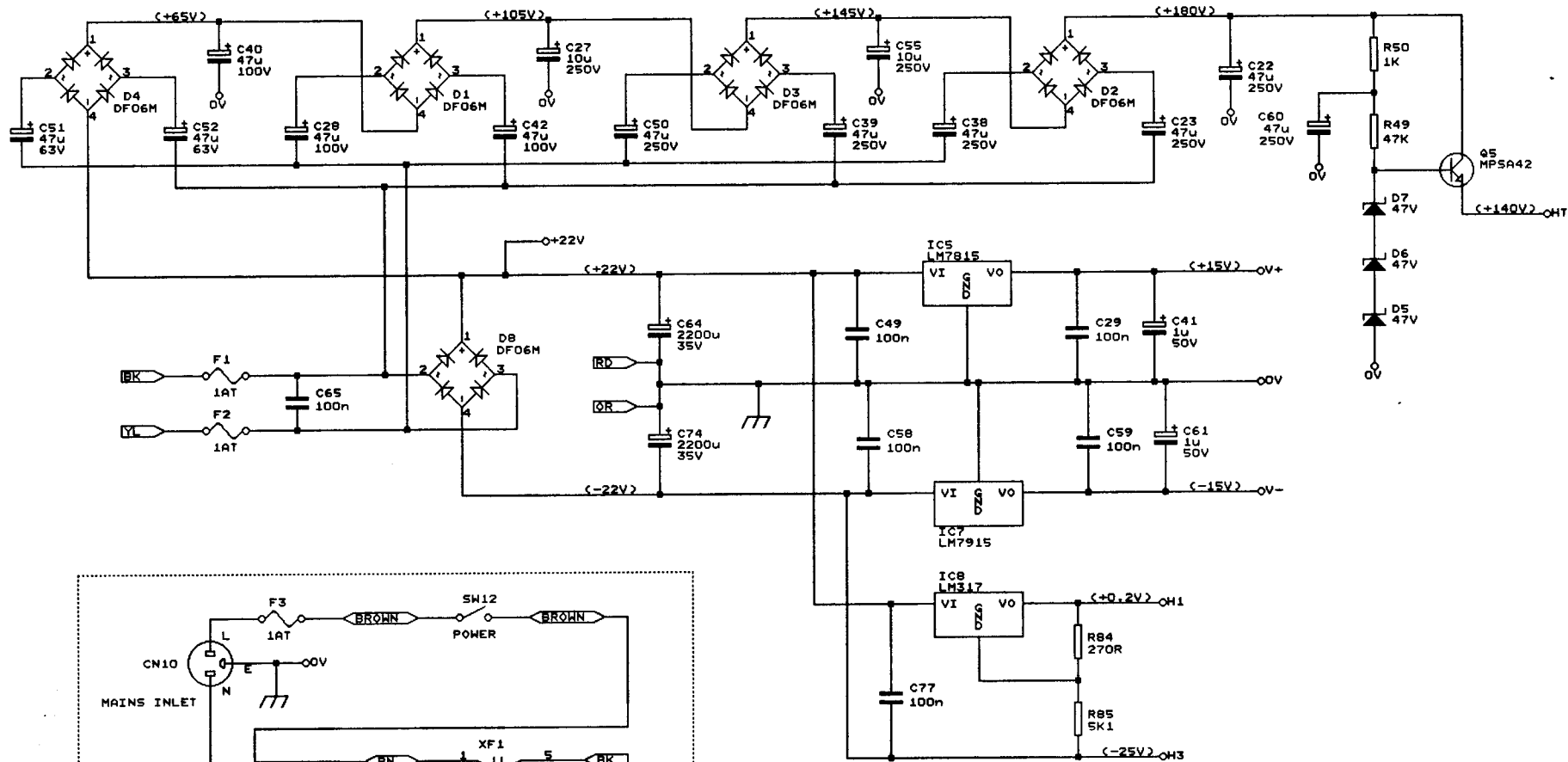


Title TL Audio
 COPYRIGHT 2002
 Size Document Number 5013 MK2 PARAMETRIC EQUALISER
 B CD1183
 Date: January 14, 2002 Sheet 7 of 9



PC183

TL Audio	
COPYRIGHT 2002	
Title	5013 MK2 PARAMETRIC EQUALISER
Size	Document Number
B	CD1183
Date:	January 14, 2002 Sheet 8 of 9



PC183

TL Audio	
COPYRIGHT 2002	
Title	
S013 MK2 PARAMETRIC EQUALISER	
Size	Document Number
B	CD1183
Date:	March 22, 2002 Sheet 9 of 9
REV	1