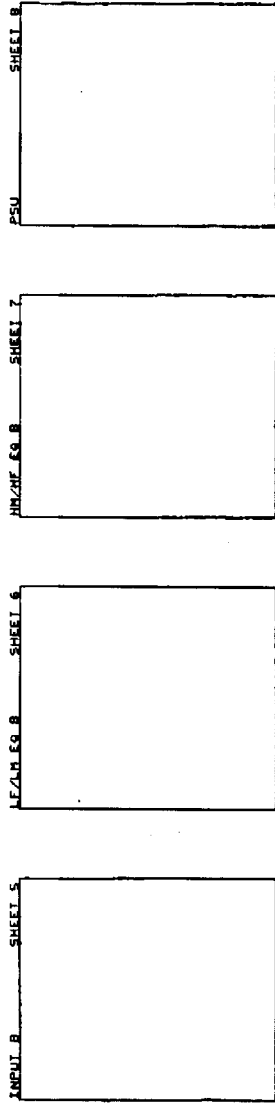
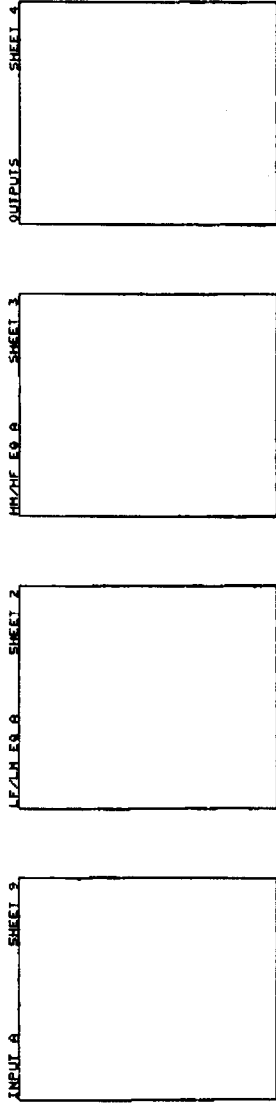


Change Note, number CN029		Date: 4.6.99.	Originator: DK.			
Products affected: 5013, (RAD20)						
Effective from serial number: 570617, 720181						
Reason for change: Bias modification to suit Sovtek valves.						
Description of change: PC161: Change R44, R138 to 100R. Change RV33, RV34 to 3K						
Circuit Diagram change?		Y	New issue: CD1161 iss 3			
Parts List change?		Y	New issue: PL1161 iss 5			
PCB Change?		N	New issue:			
Metalwork change?		N	New issue:			
Test Specification change?		N	New issue:			
Other comments:						
Circulation:	Tech File	Prod Mgr	Test	TLPS		



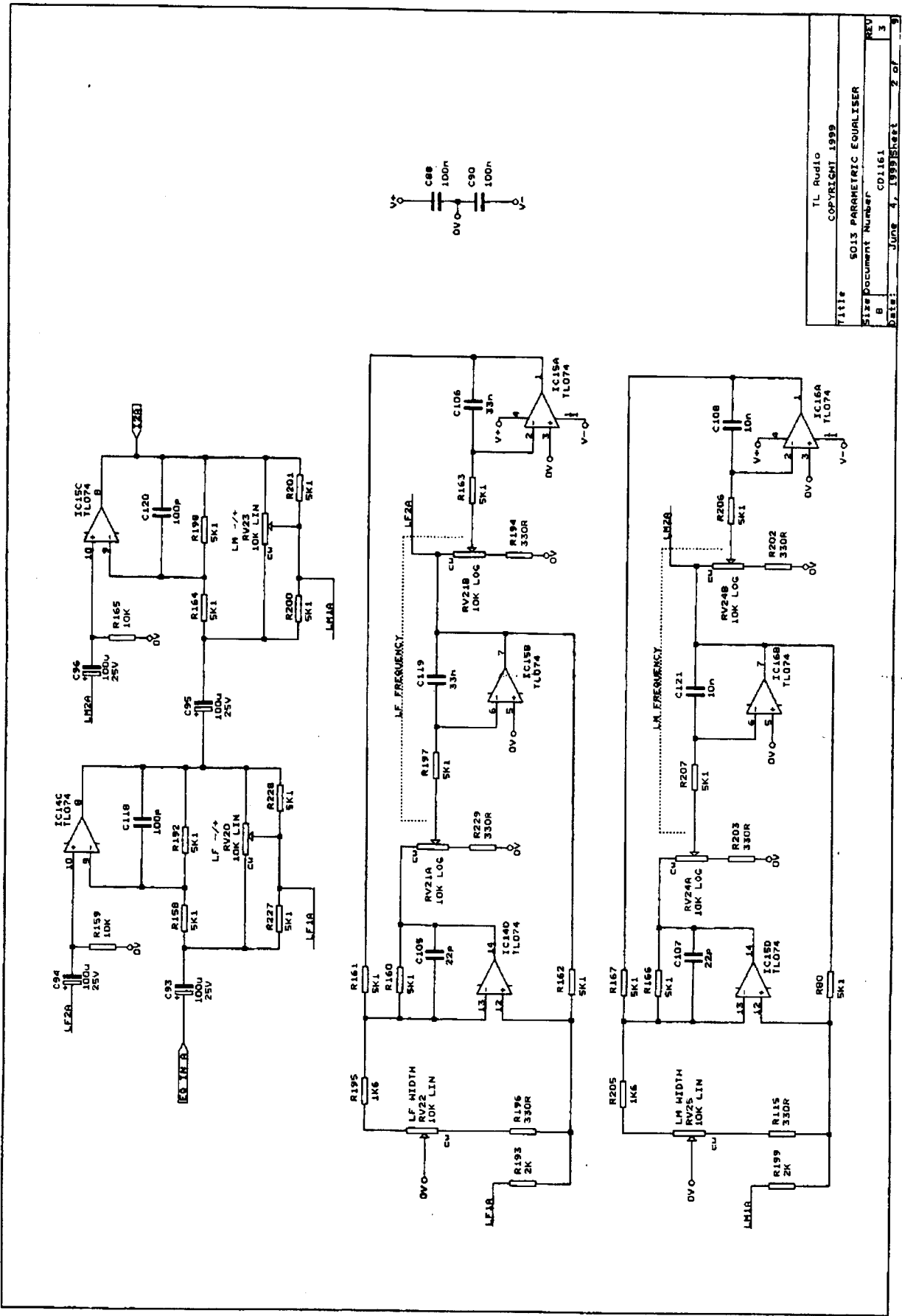
NOTES FOR QUALIFIED SERVICE ENGINEERS

The following voltages exist within this unit under normal working circumstances: 230V (115V) AC Mains and 250V DC. These voltages may take several minutes to decay after the unit is switched off.

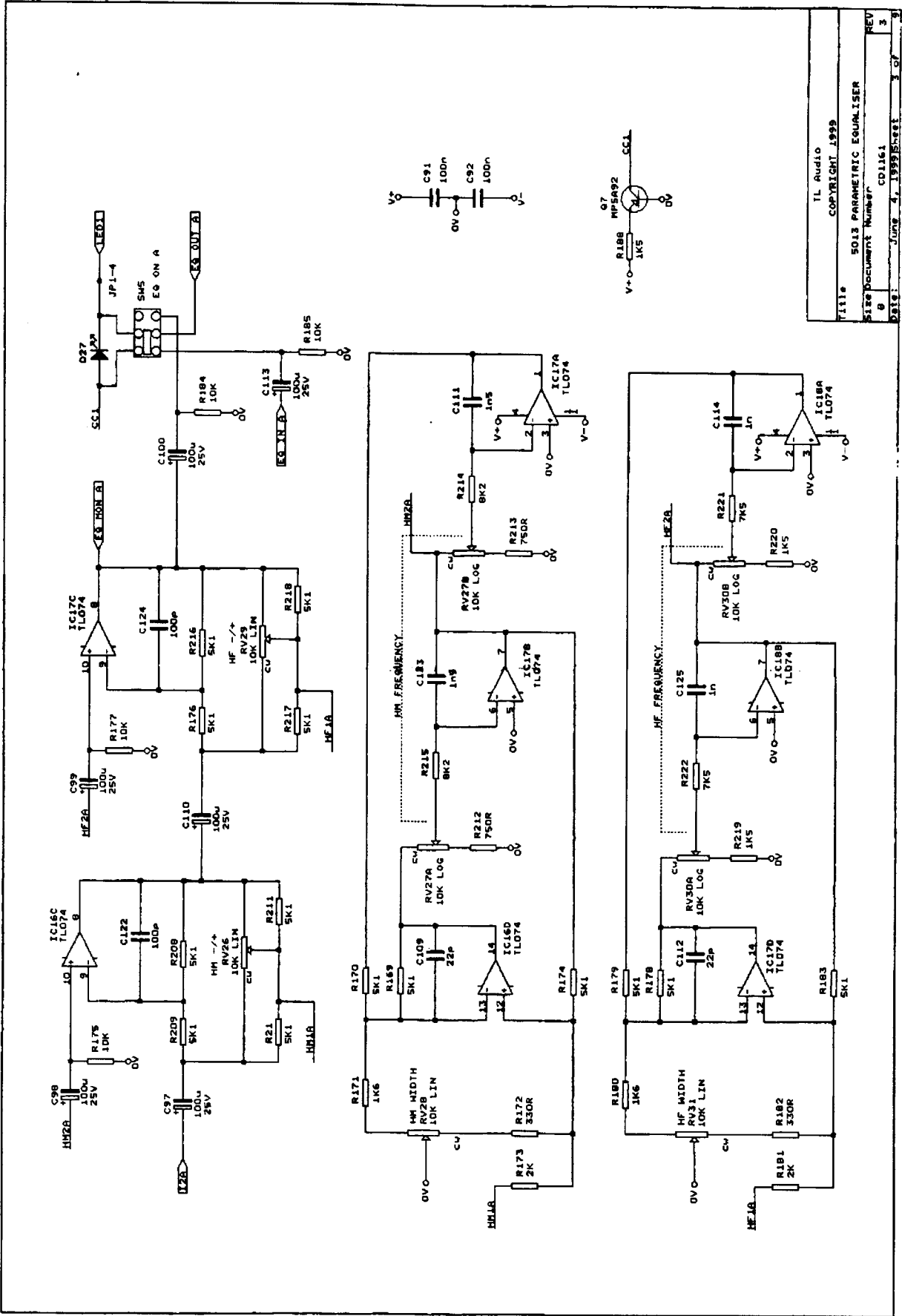
CARE MUST BE TAKEN WHEN FAULT FINDING.

- DO NOT handle the PCB while the unit is connected to the Mains Supply.
- DO NOT use screws with different type or length than those currently fitted.
- DO NOT remove EARTH wires under any circumstances.
- REPLACE all covers removed during servicing.
- During reassembly DO NOT allow wires to be trapped.

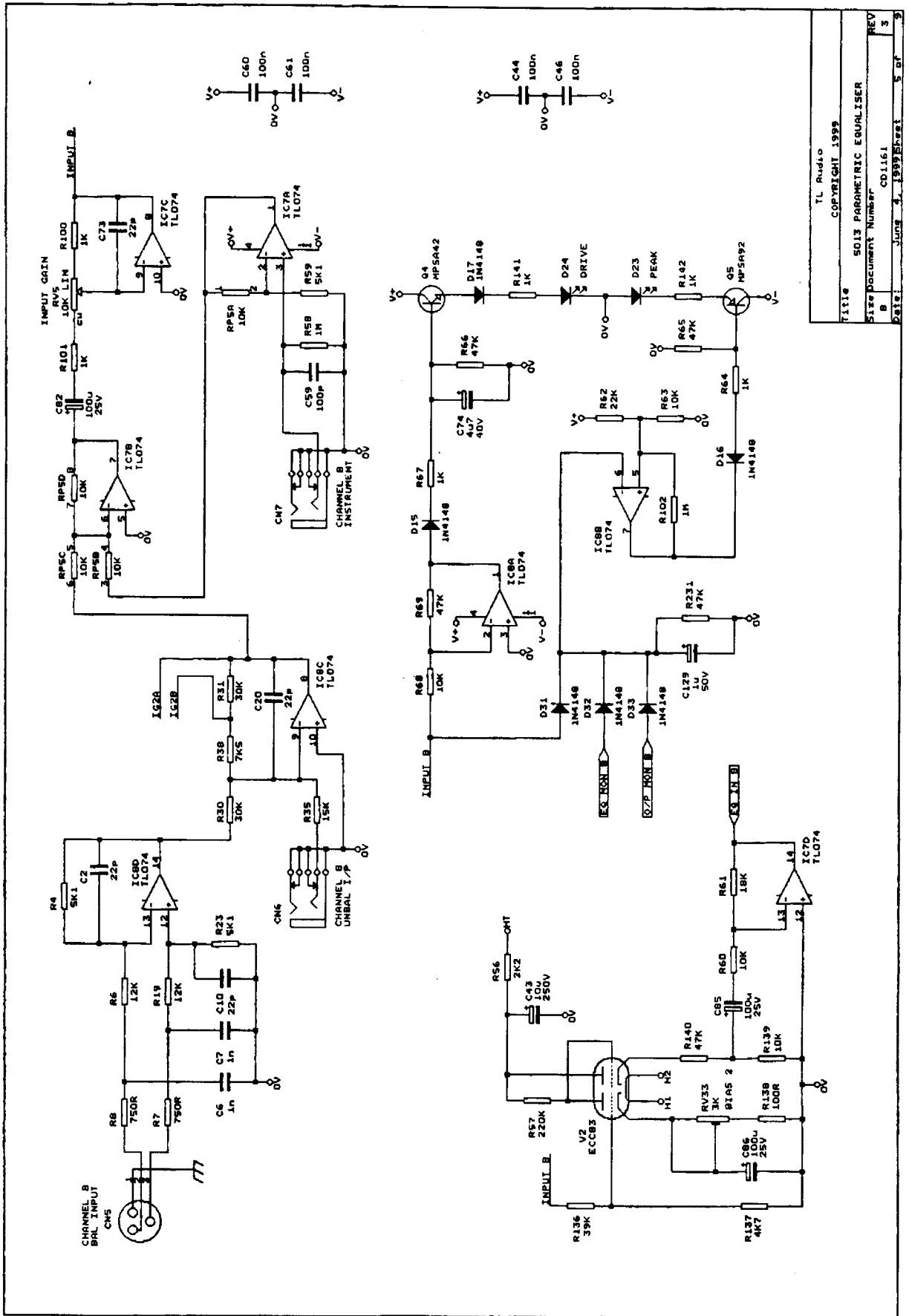
IF IN DOUBT RETURN UNIT TO SUPPLIER.



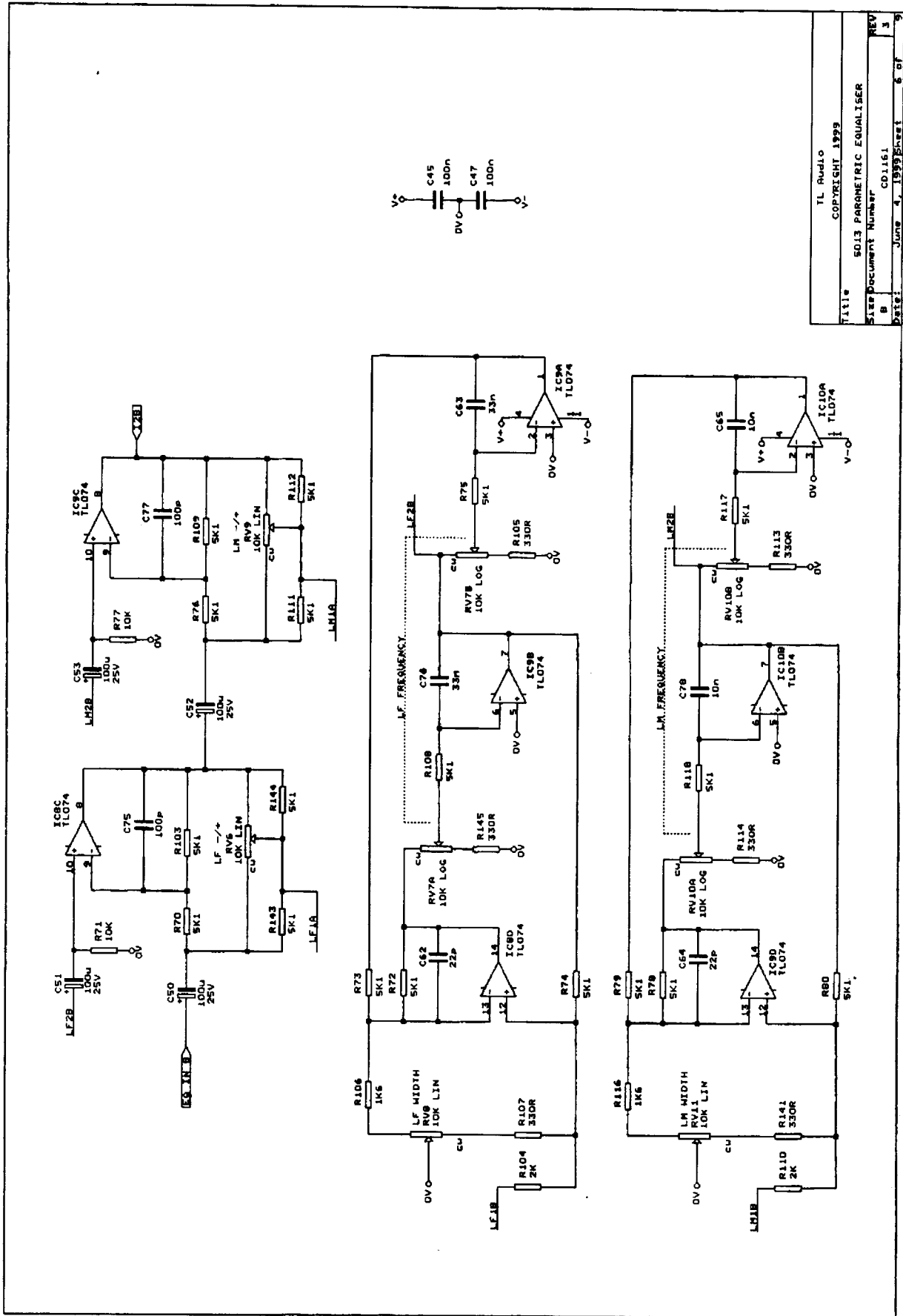
Title	TL Audio
Size	COPYRIGHT 1989
Document Number	5013 PARAMETRIC EQUALIZER
Rev	B
Date	JUNE 4, 1989
Sheet	2 of 3



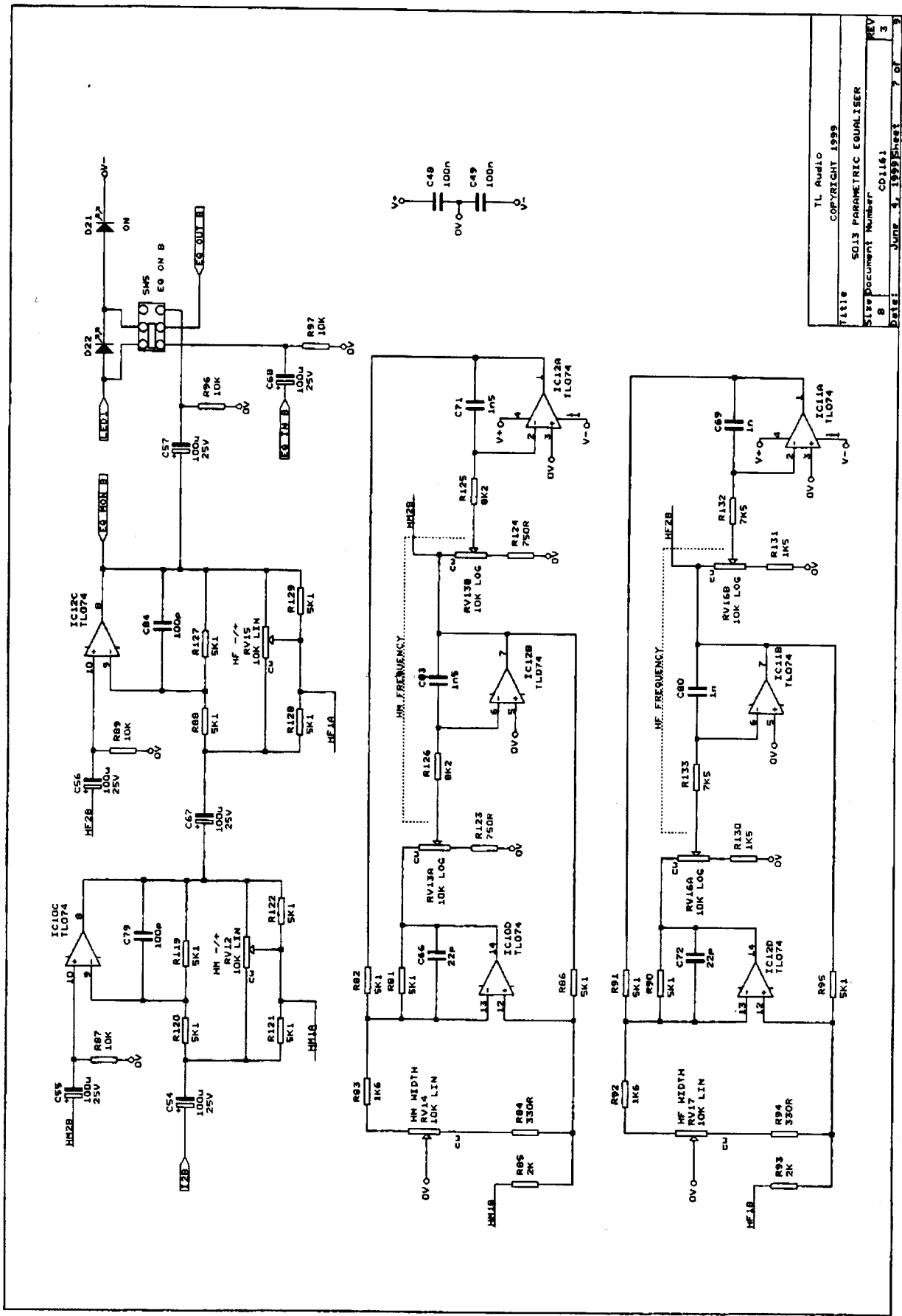
Title TL Audio
 COPYRIGHT 1999
 5013 PARAMETRIC EQUALISER
 Size Document Number CD1161
 9
 Date JUNE 4, 1999 Sheet 3 of 3
 REV 3



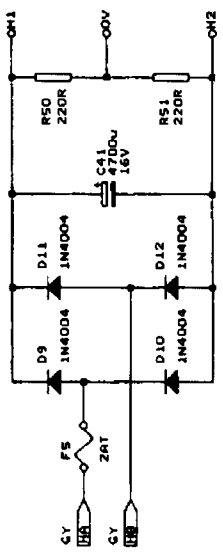
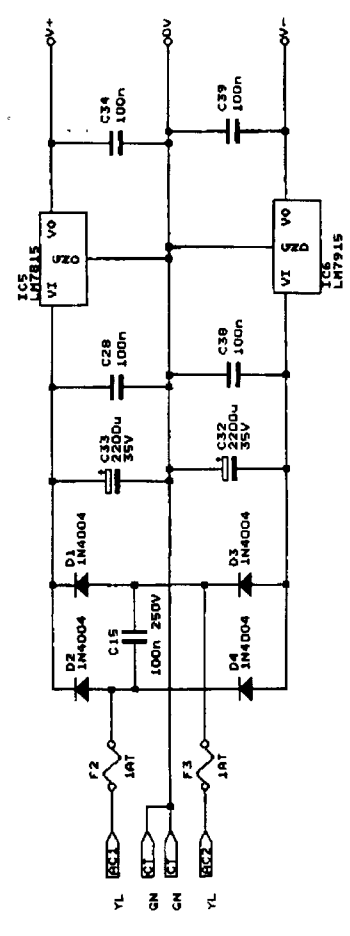
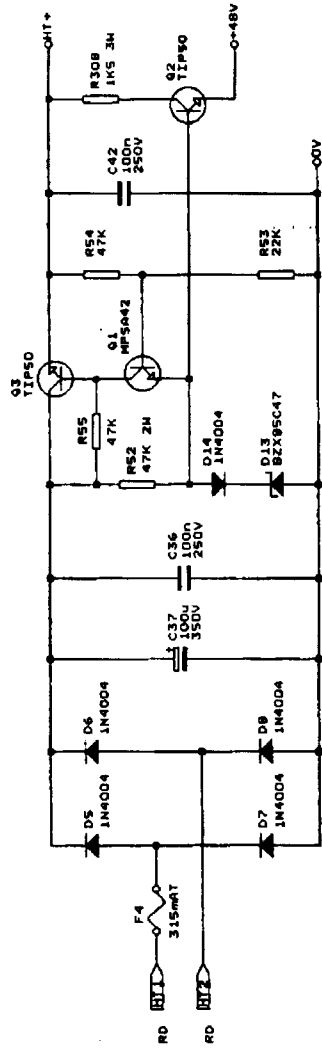
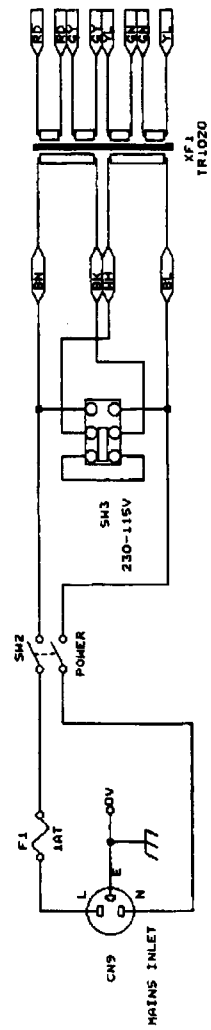
TL Audio
 COPYRIGHT 1999
 Title 5013 PARAMETRIC EQUALISER
 Size Document Number CD1161
 B
 Date: June 9, 1999 Rev 3 of 3



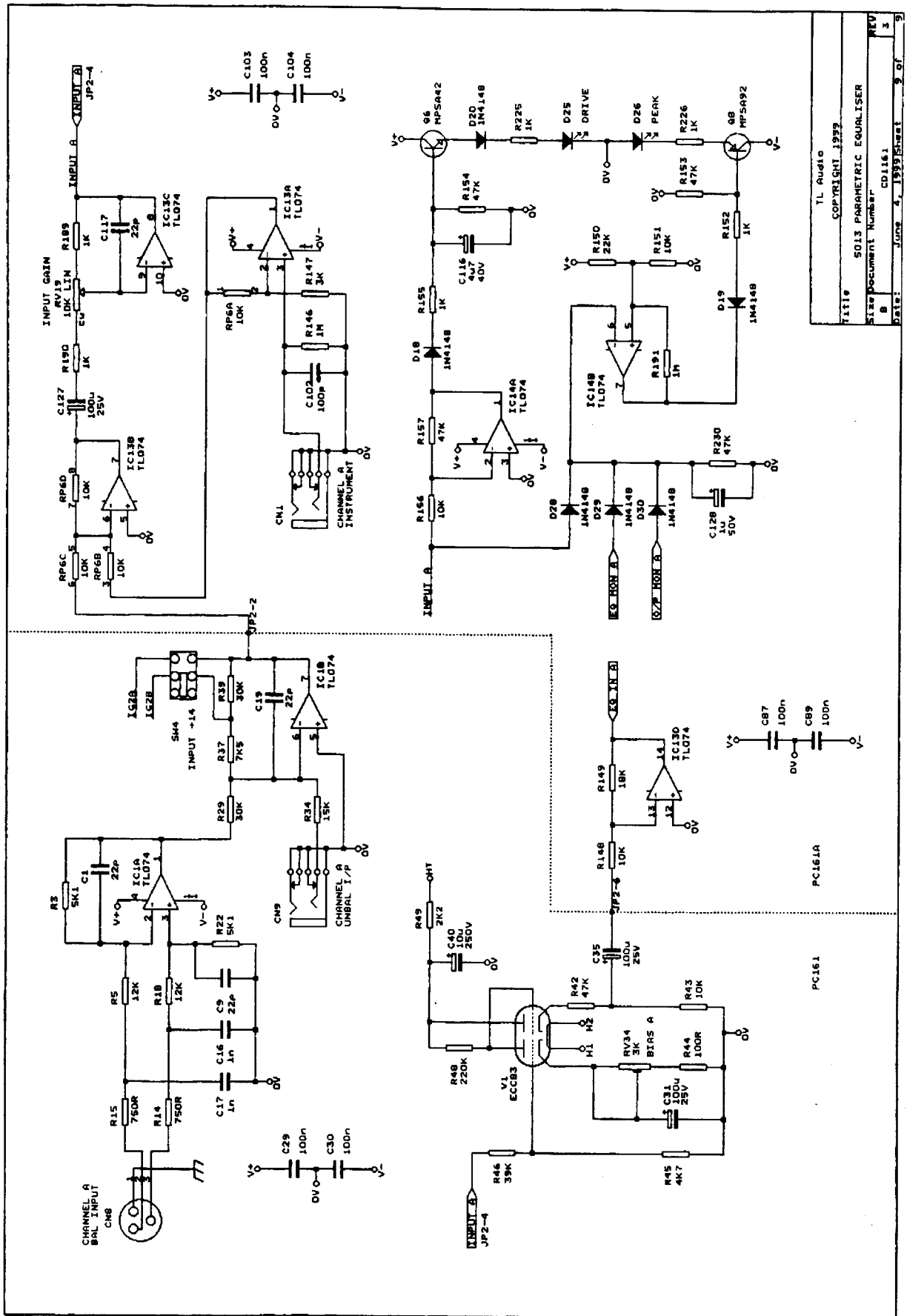
TL Audio
 COPYRIGHT 1999
 Title: 50.3 PARAMETRIC EQUALISER
 Size Document Number: COL161
 Date: June 4, 1999 Page: 6 of 9



TL Audio
 COPYRIGHT 1999
 Title 5013 PARAMETRIC EQUALISER
 Size Document Number 8 COL161 REV 3
 Date: JUNE 3, 1999 Sheet 7 of 9



TL Audio
 COPYRIGHT 1999
 TITLE 5013 PARAMETRIC EQUALISER
 Size Document Number CD1161
 REV B 3
 Date: June 4, 1999 Sheet 8 of 9



TL Audio
 COPYRIGHT 1993
 5013 PARAMETRIC EQUALISER
 Size Document Number CD1161
 B
 Date: June 4, 1993 Sheet 9 of 9

PC161

PC161A