

MIC INPUT

SHEET 2

COMPRESSOR

SHEET 3

PSU

SHEET 7

MEASURING

SHEET 2

T L Audio

COPYRIGHT 1997

TITLE

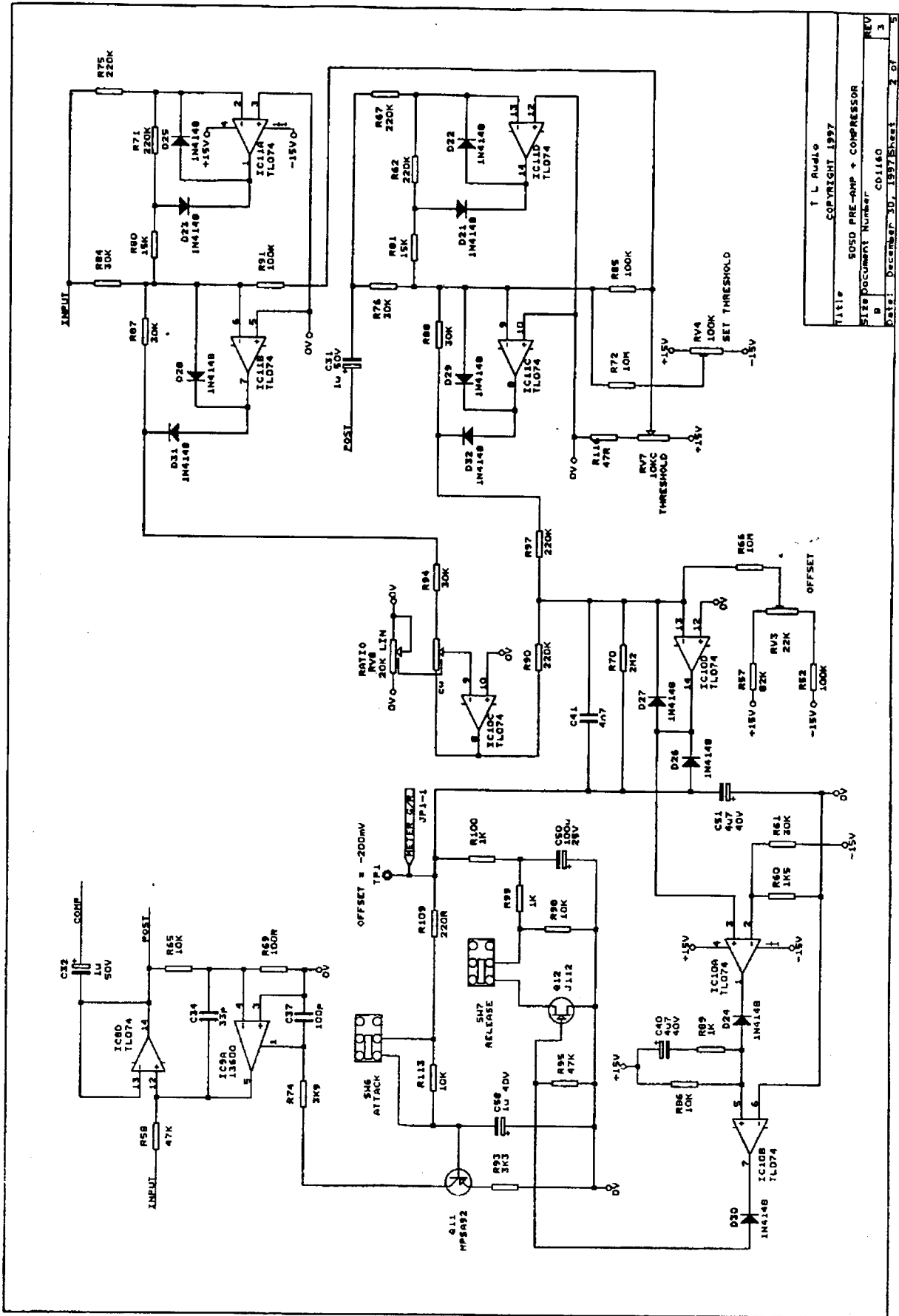
5050 PAB-AMP + COMPRESSOR

SHEET DOCUMENT NUMBER

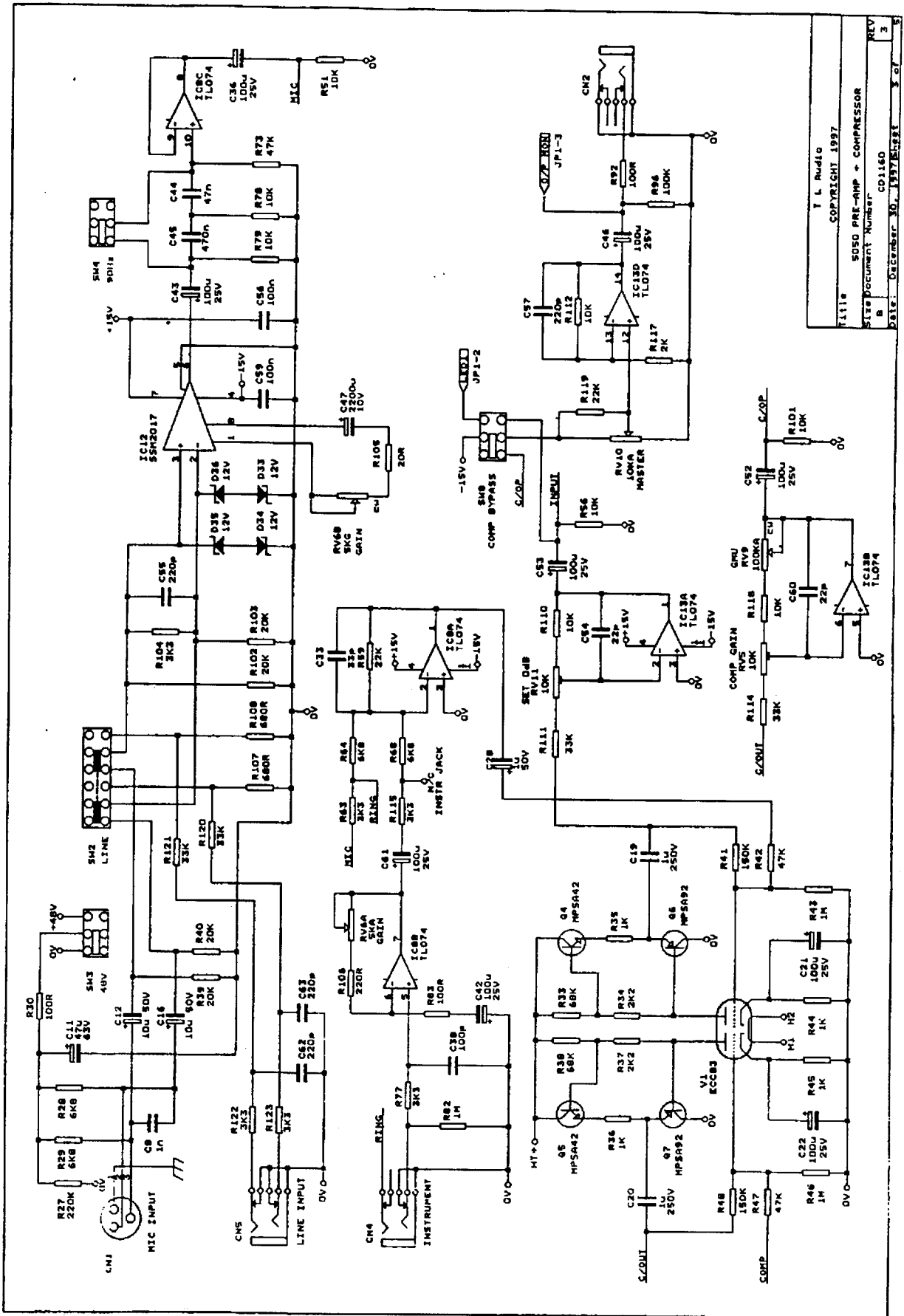
0 CD1160

REV 3

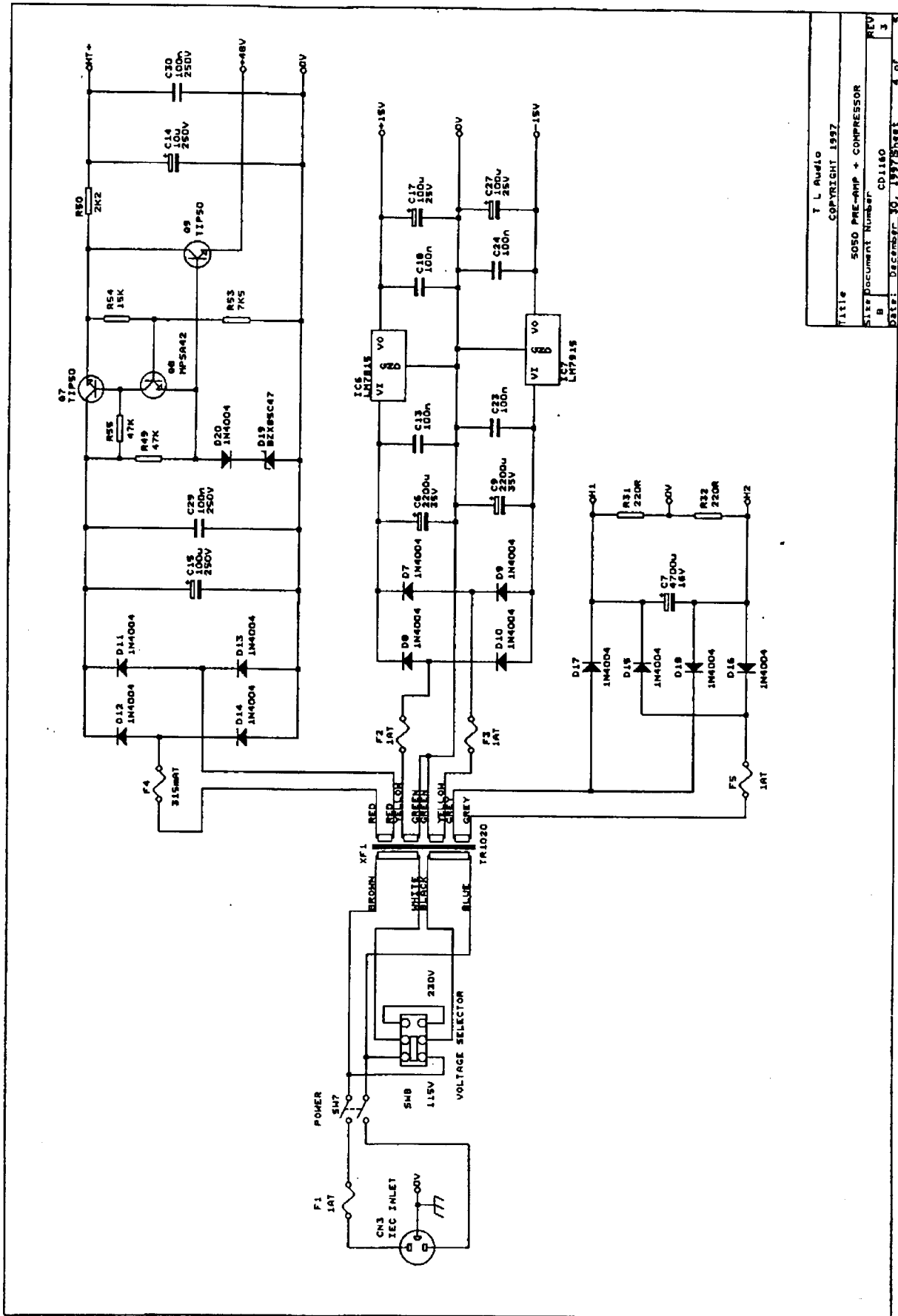
DATE December 30, 1997 Sheet 1 of 3



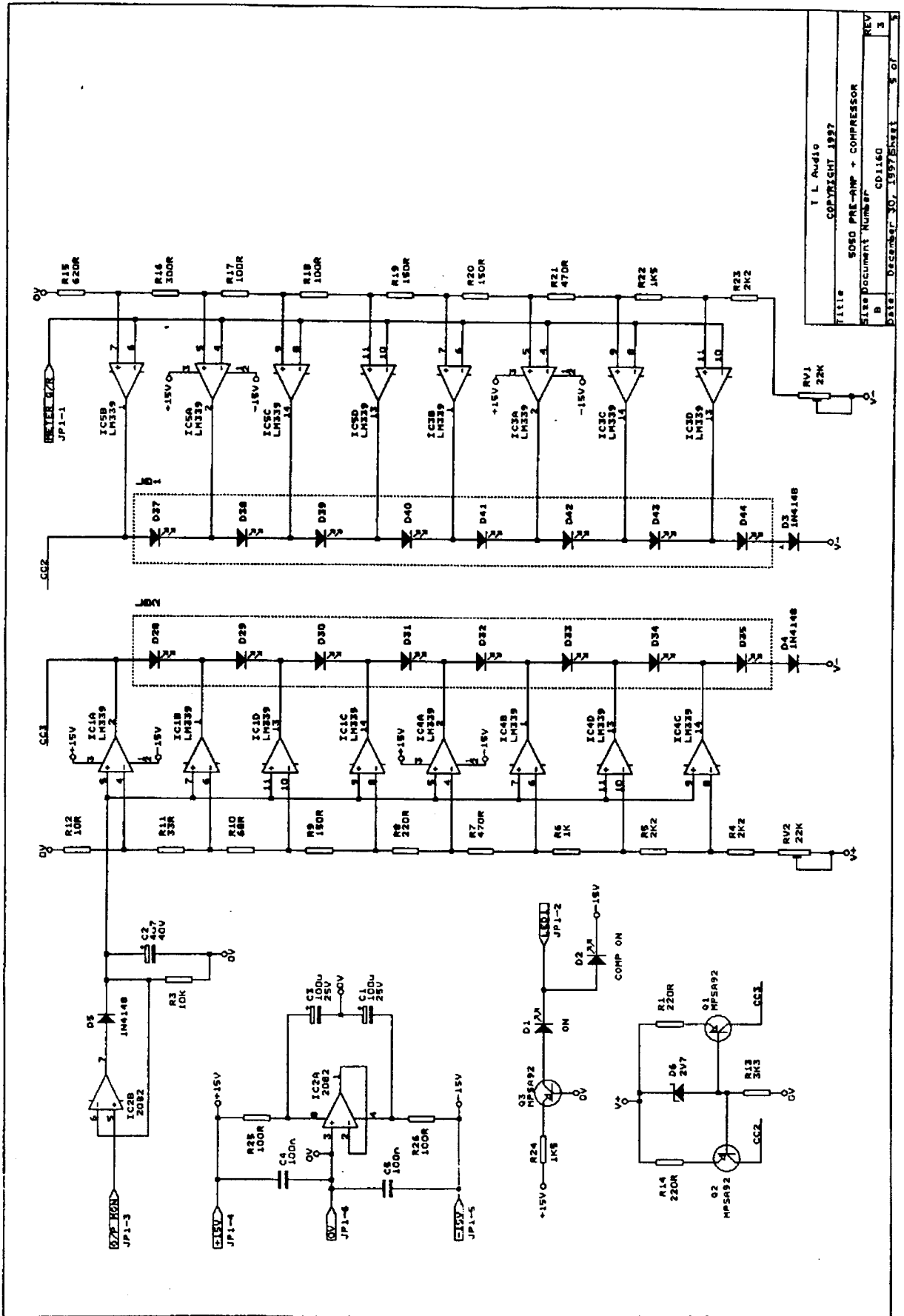
T L Audio  
 COPYRIGHT 1997  
 TITLE 5050 PRE-AMP + COMPRESSOR  
 SIZE DOCUMENT NUMBER COLL160  
 REV B  
 DATE: DECEMBER 30, 1997 Sheet 2 of 3



T L Audio  
 5050 PRE-AMP + COMPRESSOR  
 Copyright 1997  
 Document Number: 04160  
 REV 3  
 DATE: December 30, 1997



T. L. Audio  
 COPYRIGHT 1997  
 TITLE 5050 PRE-AMP + COMPRESSOR  
 STEP Document Number CD1160  
 REV 3  
 DATE: December 30, 1997/SLB1 4 of 5



T L Audio  
 COPYRIGHT 1997  
 Title 5000 PRE-AMP + COMPRESSOR  
 Part Document Number CD1160  
 REV 3  
 DATE December 30, 1997 Page 3 of 3