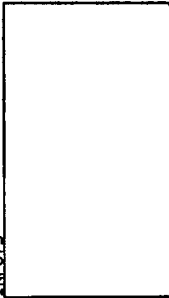


INPUTS



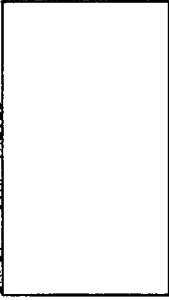
INSERTS...OUTPUTS



DRIVE + PEAK LEADS



INPUT + COMP. VALVES



EQ. VALVES



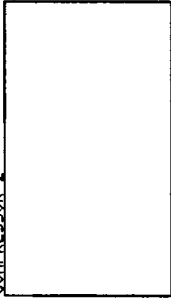
COMP + EQ. SWITCHING



COMPRESSOR 1



COMPRESSOR 2



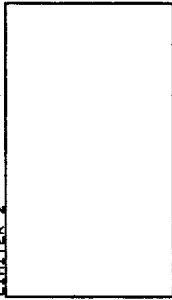
COMP. 2 STEREO S/C



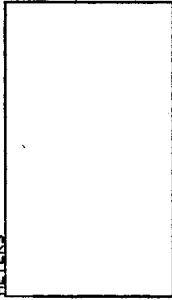
LIMIER 1



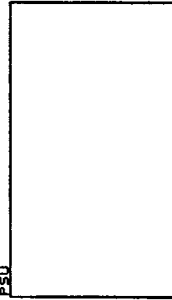
LIMIER 2



METERS



PSU



NOTES FOR QUALIFIED SERVICE ENGINEERS

The highest voltage existing on this PCB under normal working circumstances is 200V DC.
The highest voltage existing within the equipment under normal working circumstances is 250V AC.
Power Supply voltages may take several minutes to decay after the unit is switched off.

CARE MUST BE TAKEN WHEN FAULT FINDING.

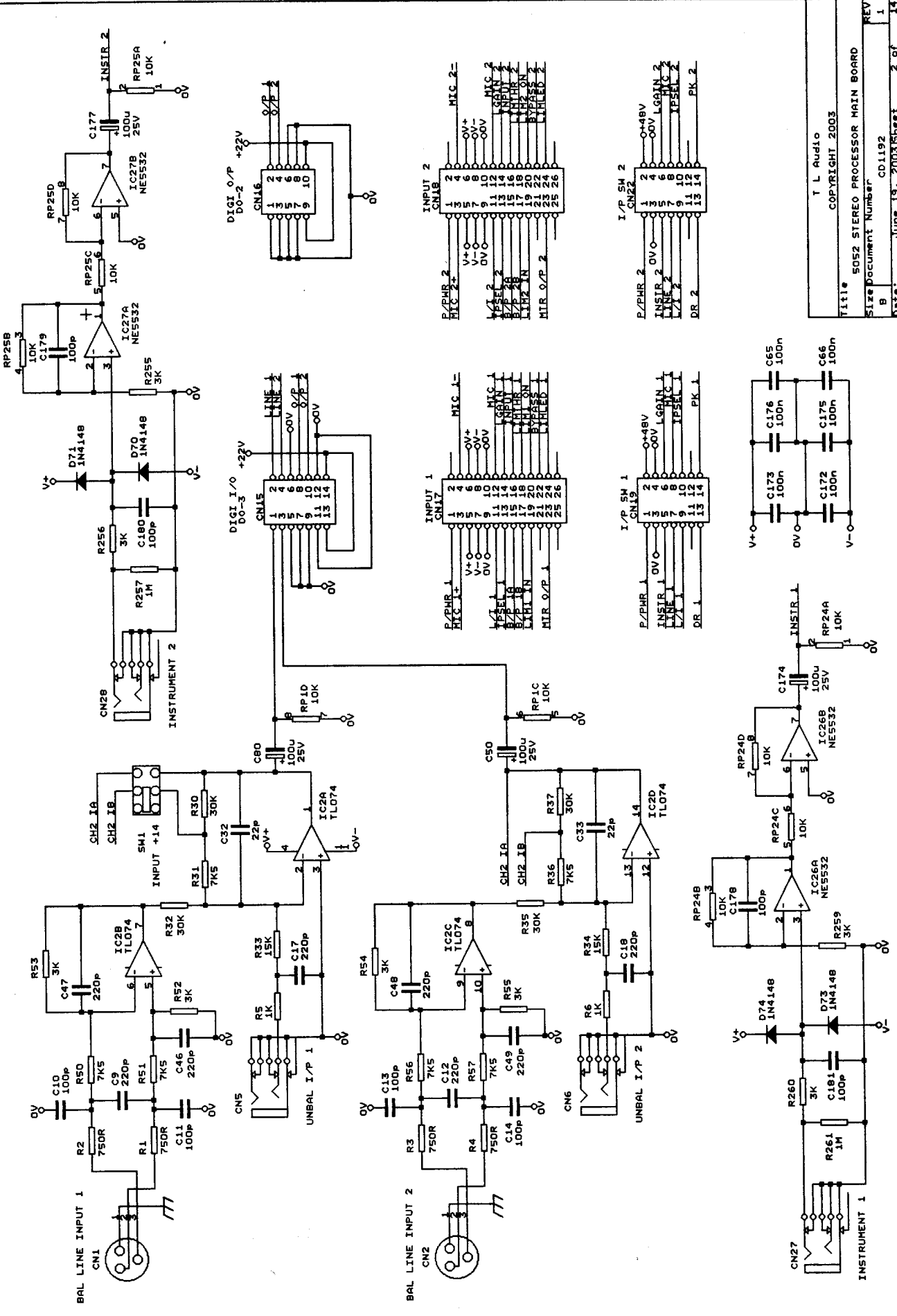
- DO NOT handle the PCB while the unit is connected to the Mains Supply.
- DO NOT use screws with different type or length than those currently fitted.
- DO NOT remove EARTH wires under any circumstances.
- REPLACE all covers removed during servicing.
- During reassembly DO NOT allow wires to be trapped.

IF IN DOUBT CONSULT SUPPLIER.

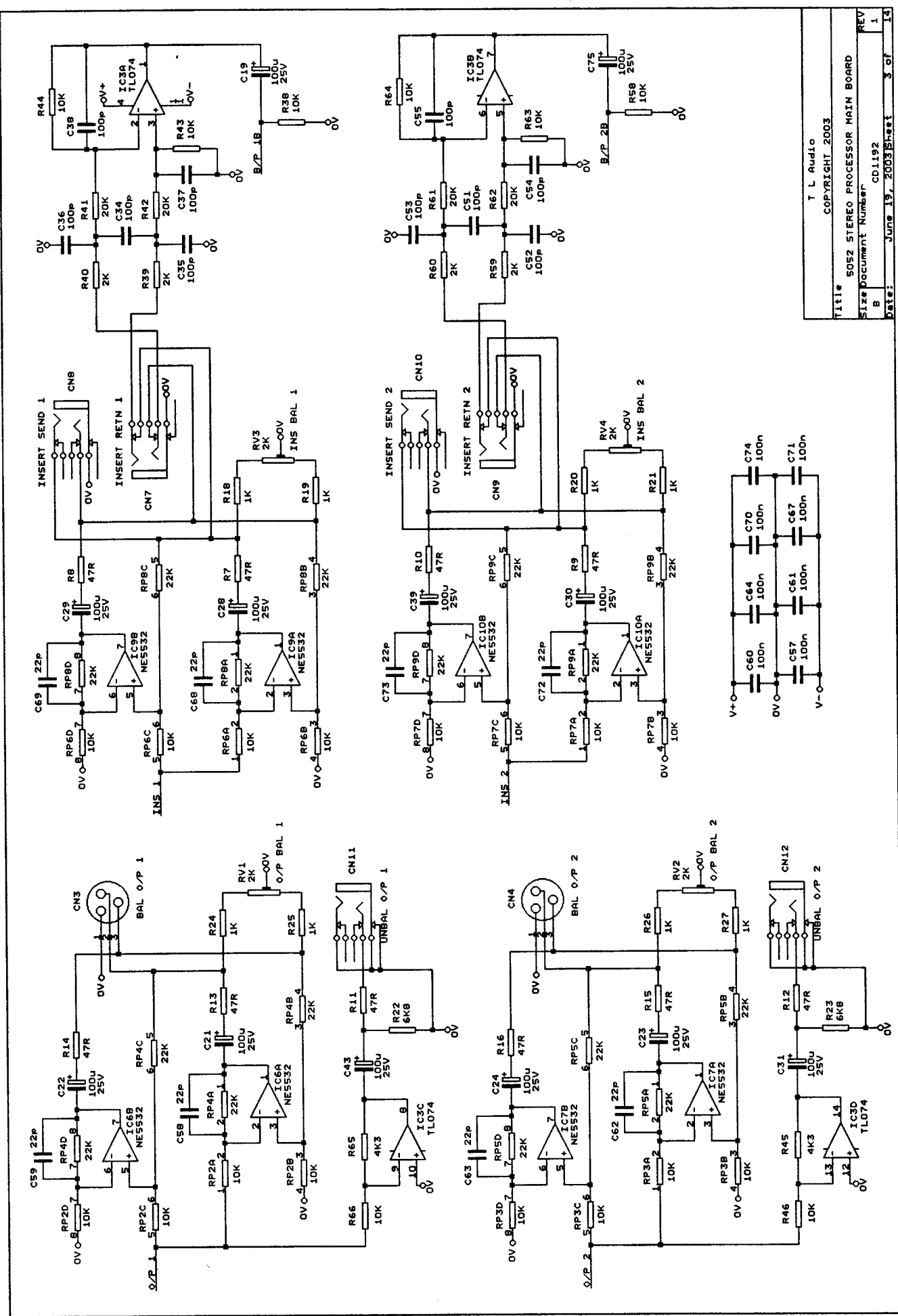
PCB ISSUE 3+4

T L Audio
COPYRIGHT 2003

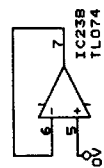
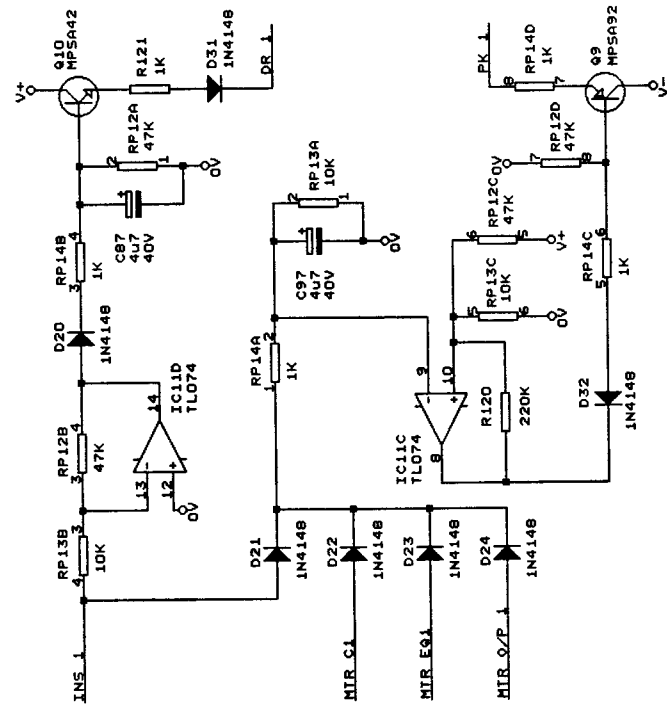
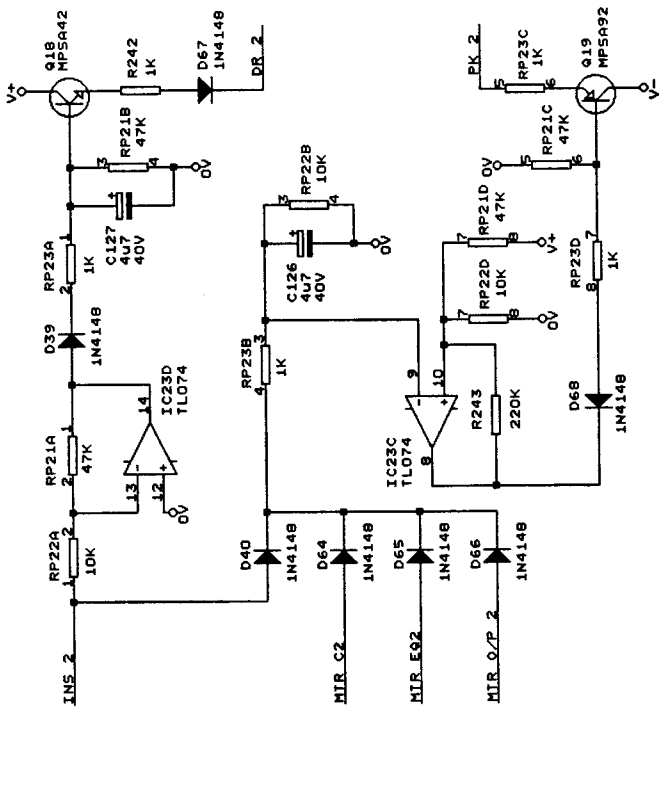
Title	5052 STEREO PROCESSOR MAIN BOARD
Size	B
Document Number	CD1192
REV	1
Date:	June 19, 2003
Sheet	1 of 14



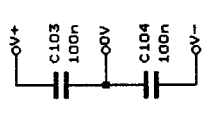
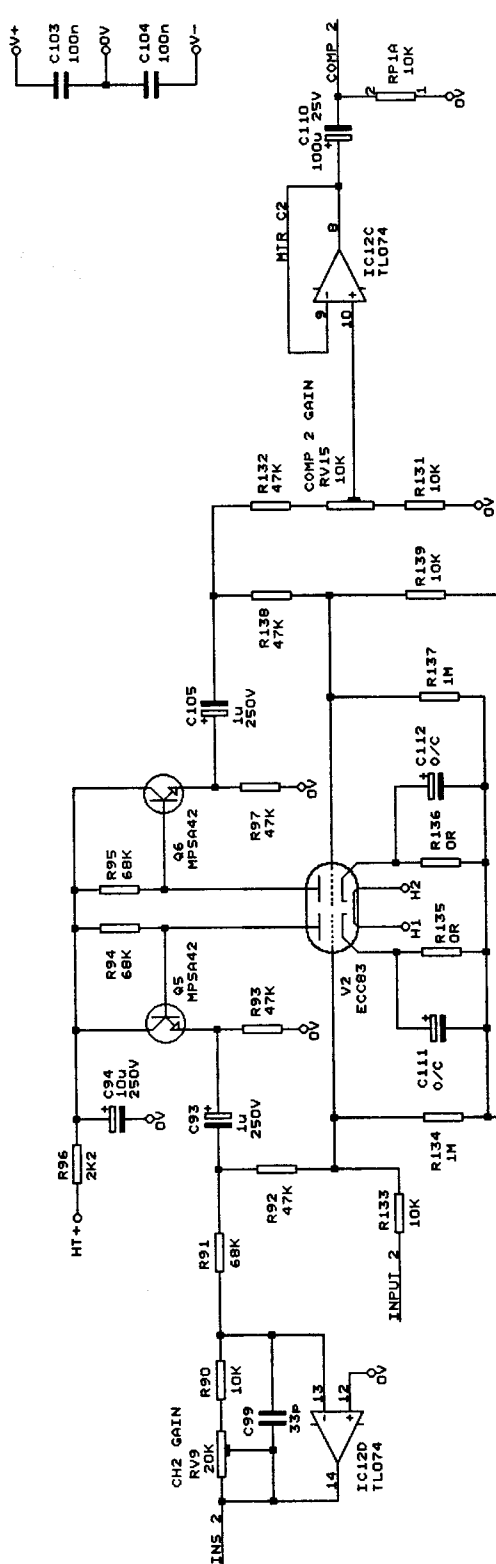
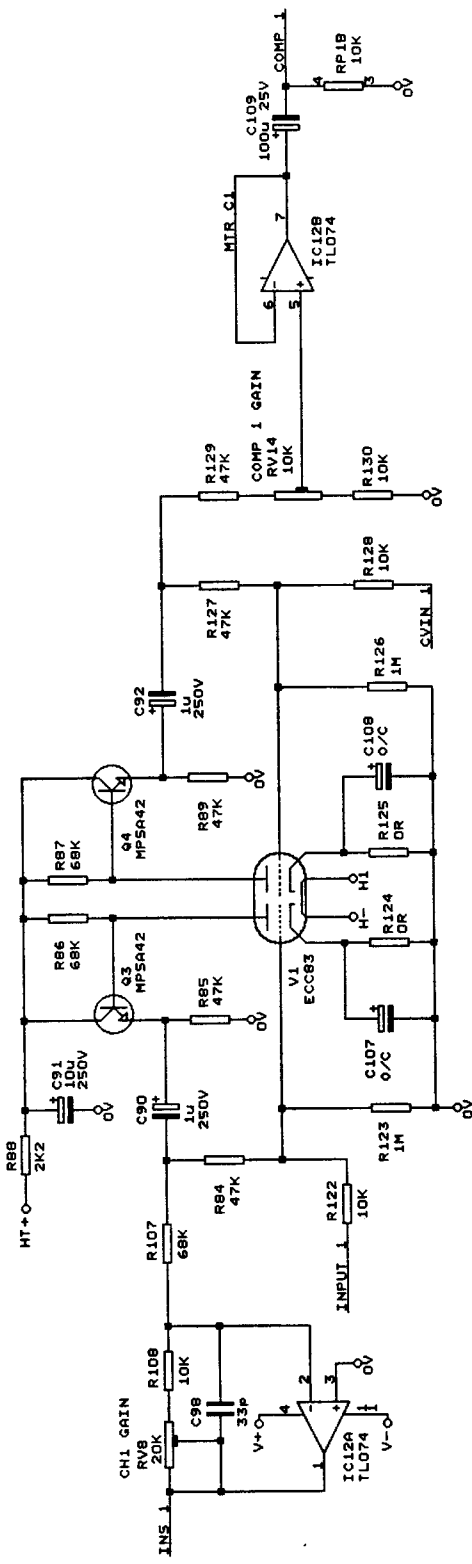
T L Audio
 COPYRIGHT 2003
 5052 STEREO PROCESSOR MAIN BOARD
 Size Document Number CD1192
 REV 1
 DATE: June 19, 2003 Sheet 2 of 13



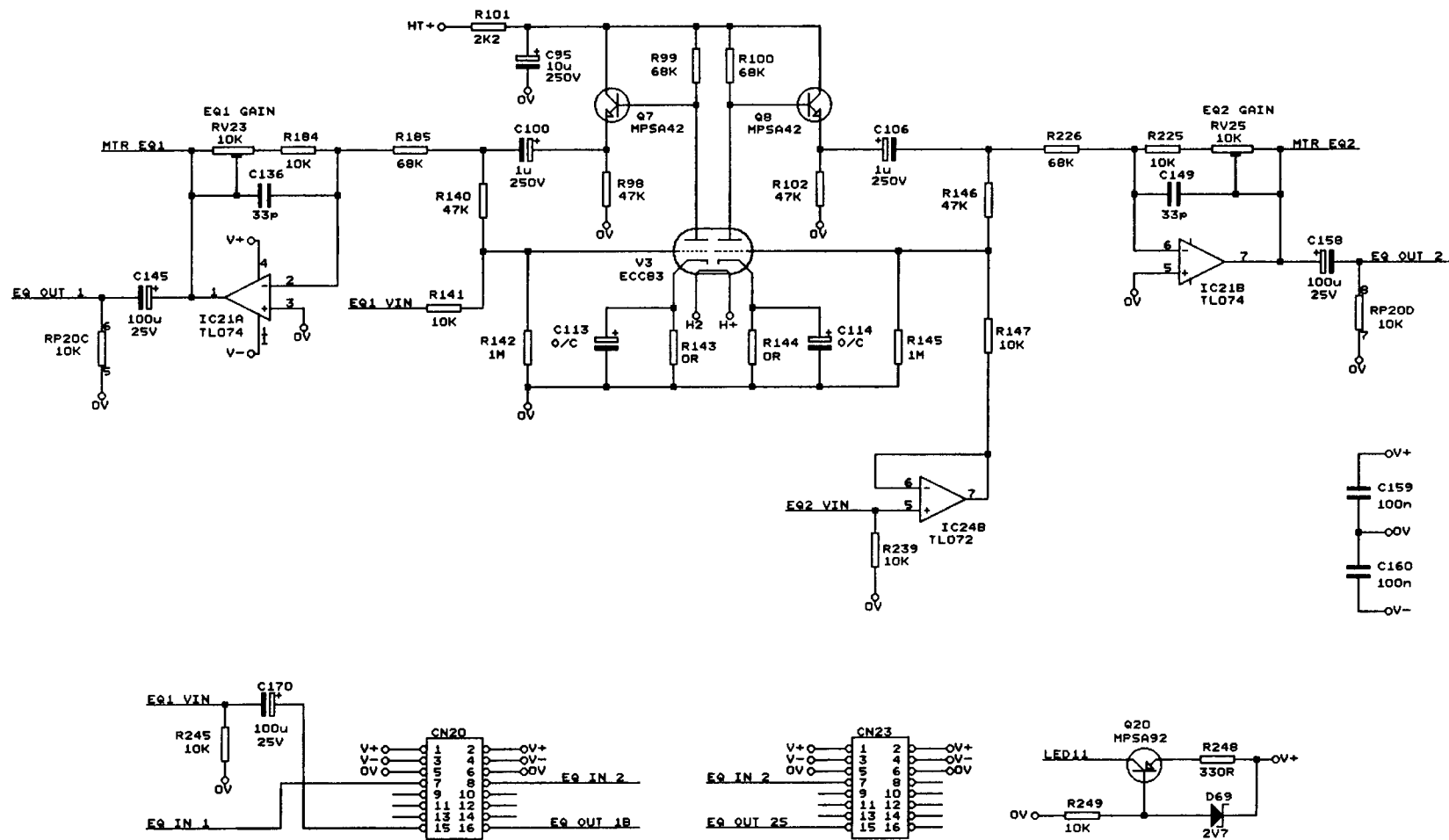
T L Audio
 COPYRIGHT_2003
 Title 5052 STEREO PROCESSOR MAIN BOARD
 Size Document Number CD1192
 B 1
 Date: June 19, 2003 Sheet 3 of 14



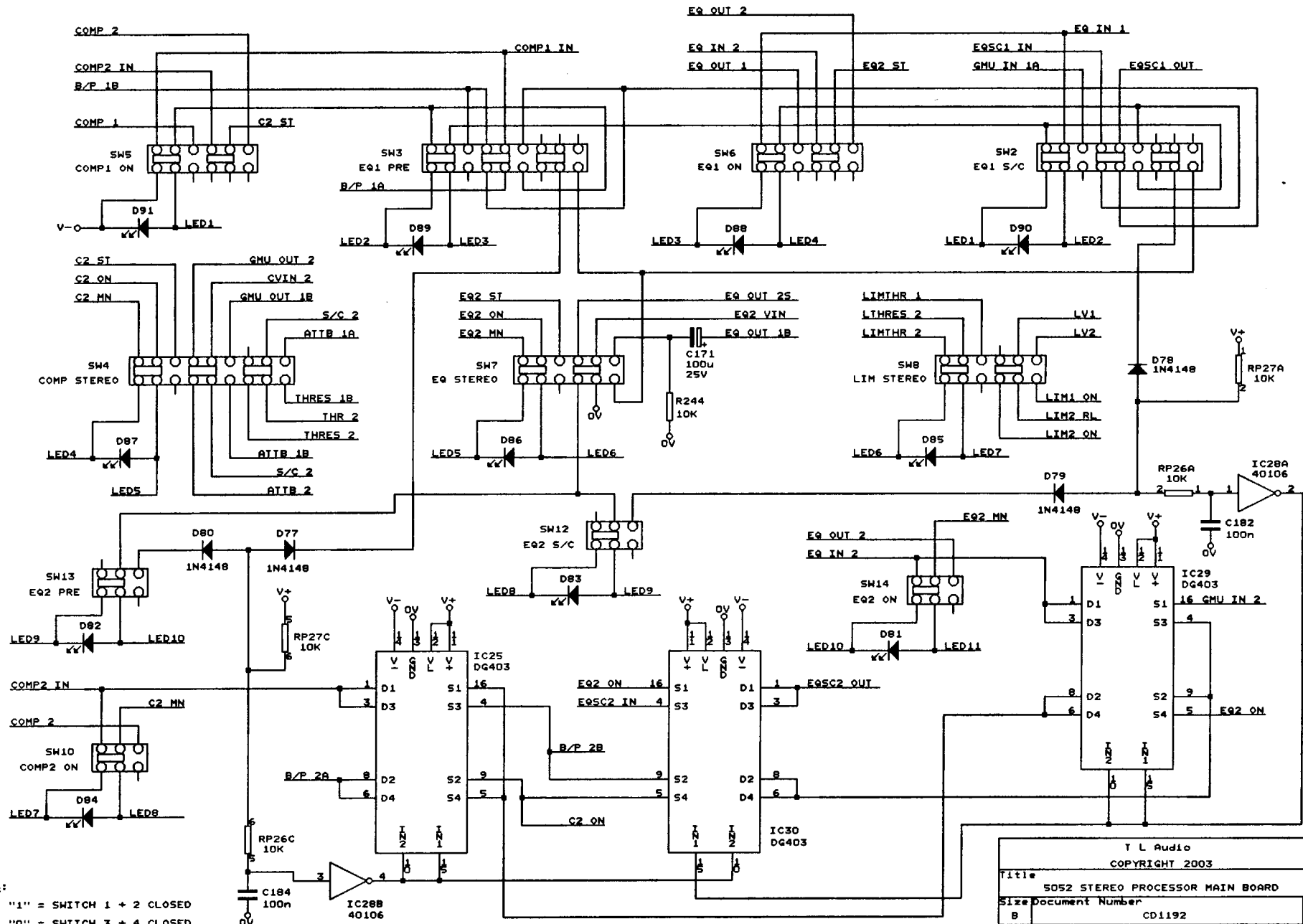
T L Audio
 COPYRIGHT 2003
 Title S052 STEREO PROCESSOR MAIN BOARD
 Size Document Number CD1192
 B 1
 Date: June 19, 2003 Sheet 4 of 13



TL Audio	
Copyright 2003	
Title	5052 STEREO PROCESSOR MAIN BOARD
Size	Document Number
B	CD1192
REV	1
Date:	June 19, 2003
Sheet	5 of 14

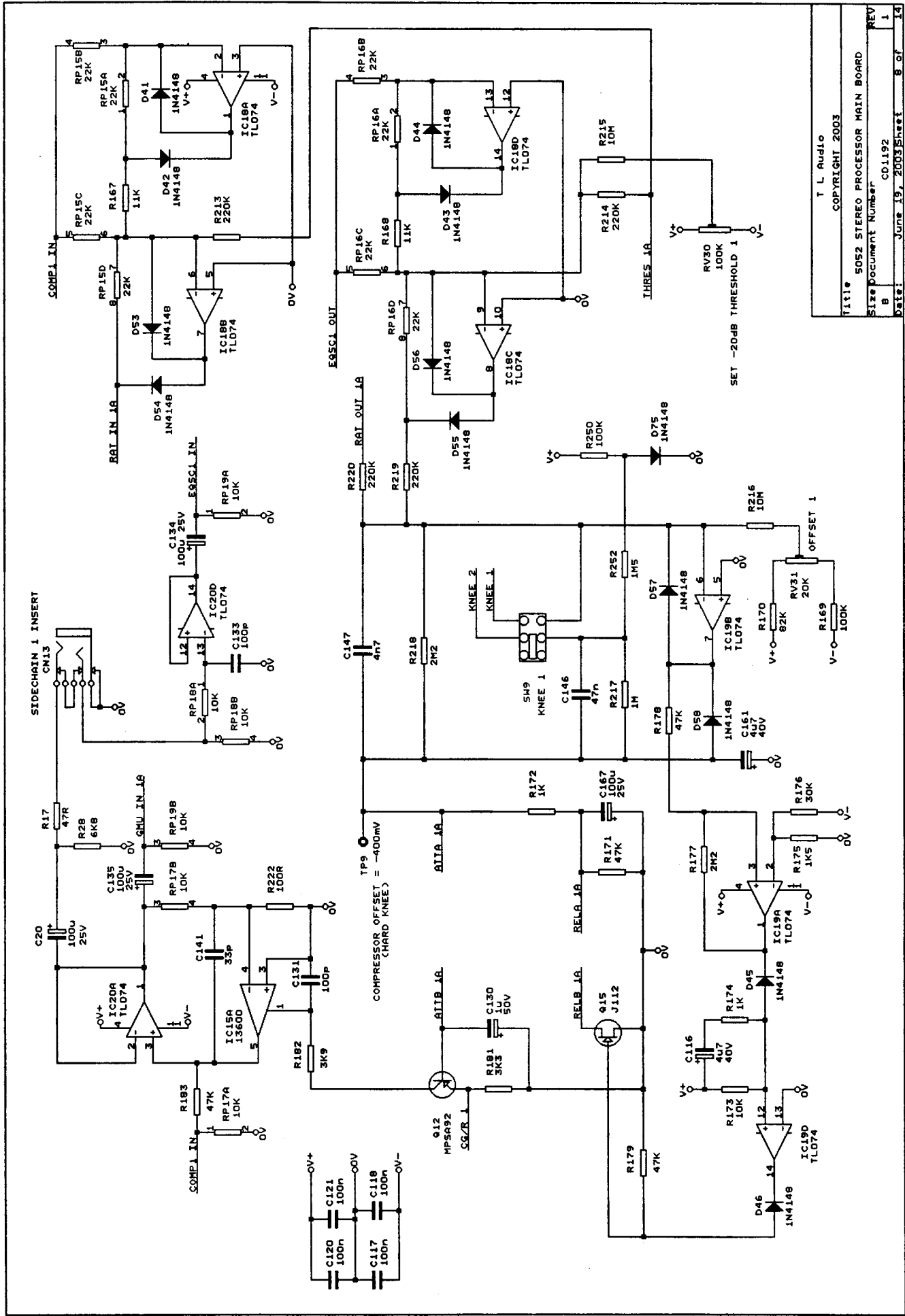


TL Audio	
Copyright 2003	
Title	
S052 STEREO PROCESSOR MAIN BOARD	
Size	Document Number
B	CD1192
Date:	June 19, 2003
Sheet	6 of 14
REV	1

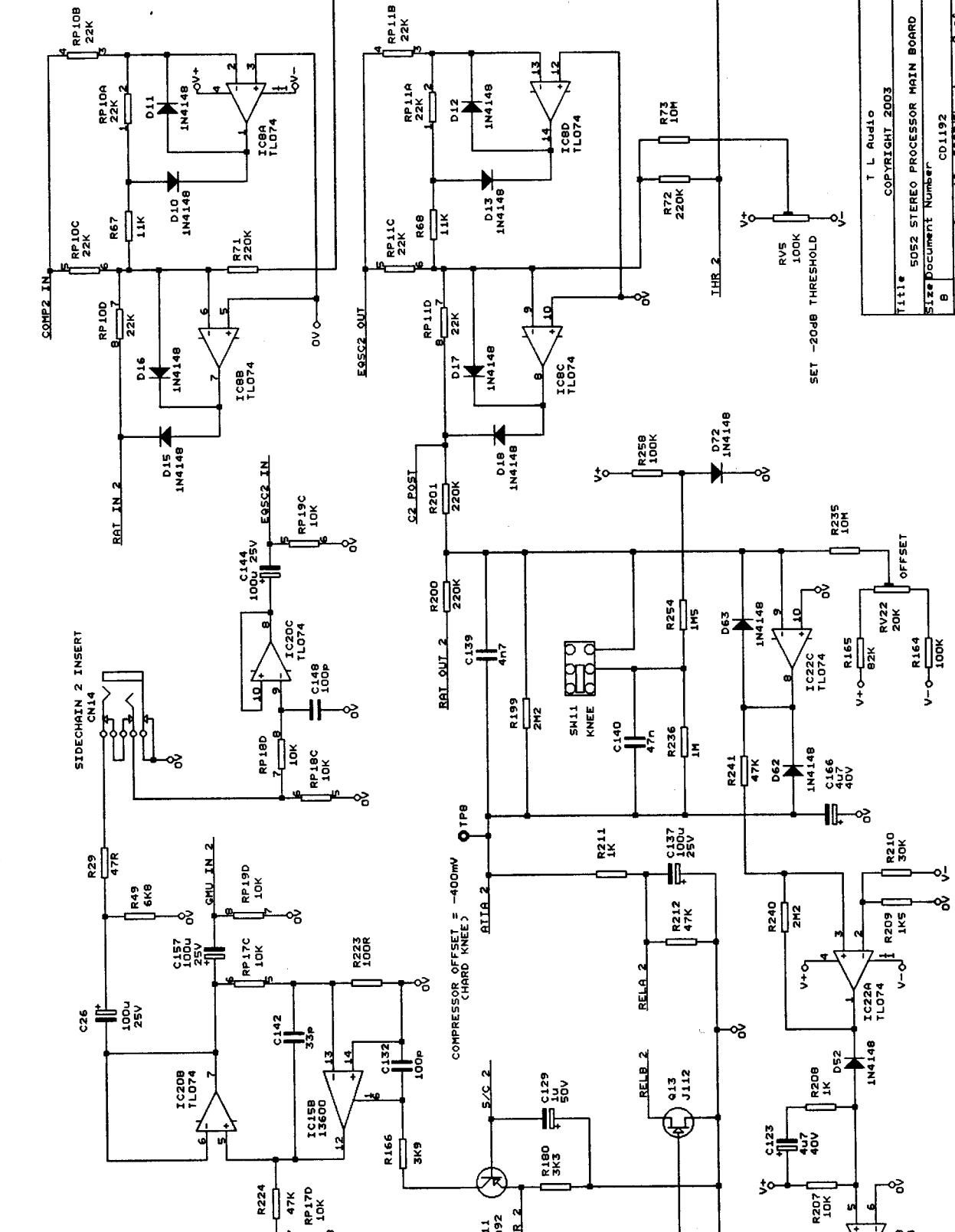
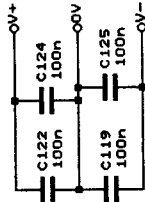


DG403:
 LOGIC "1" = SWITCH 1 + 2 CLOSED
 LOGIC "0" = SWITCH 3 + 4 CLOSED

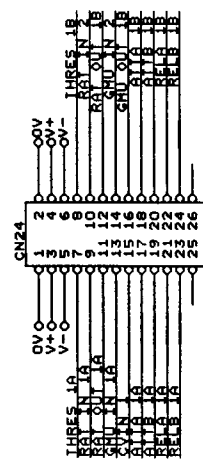
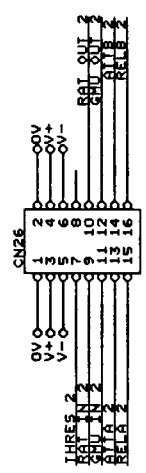
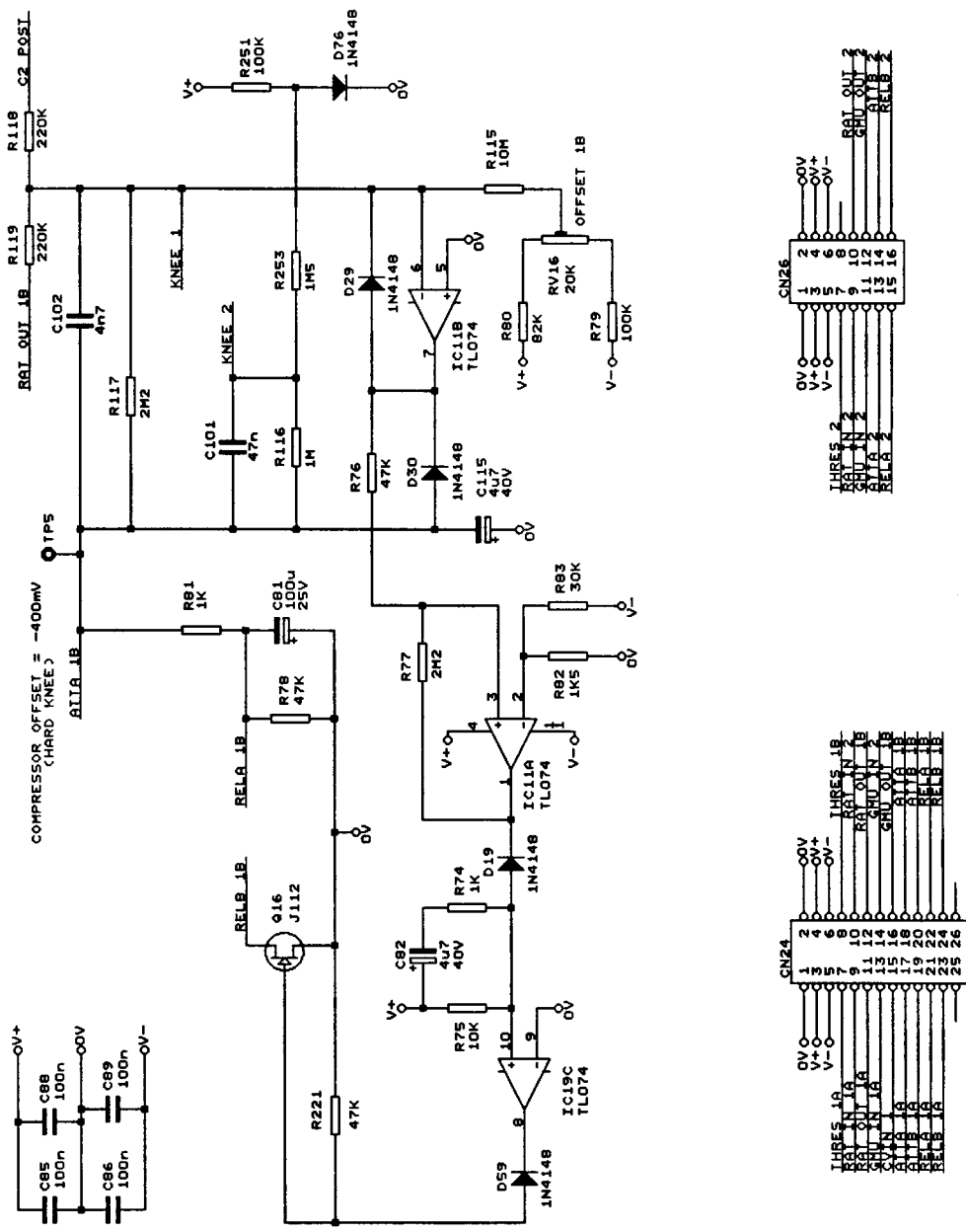
T L Audio		
COPYRIGHT 2003		
Title 5052 STEREO PROCESSOR MAIN BOARD		
Size	Document Number	REV
B	CD1192	1
Date:	June 19, 2003	Sheet 7 of 14



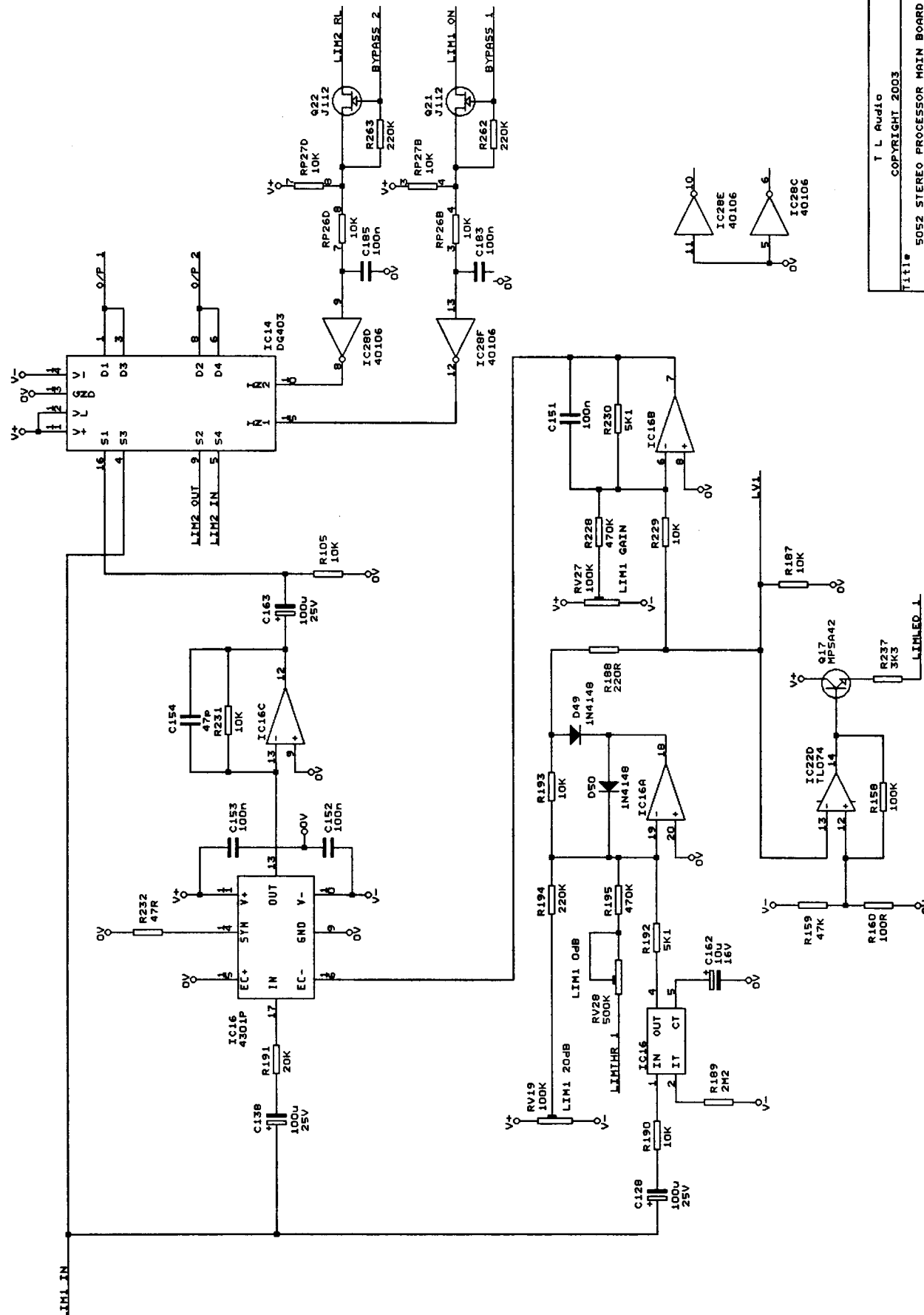
Title: 5052 STEREO PROCESSOR MAIN BOARD
 Size: Document Number: CD1192
 REV: 1
 Date: June 19, 2003 Sheet 8 of 14



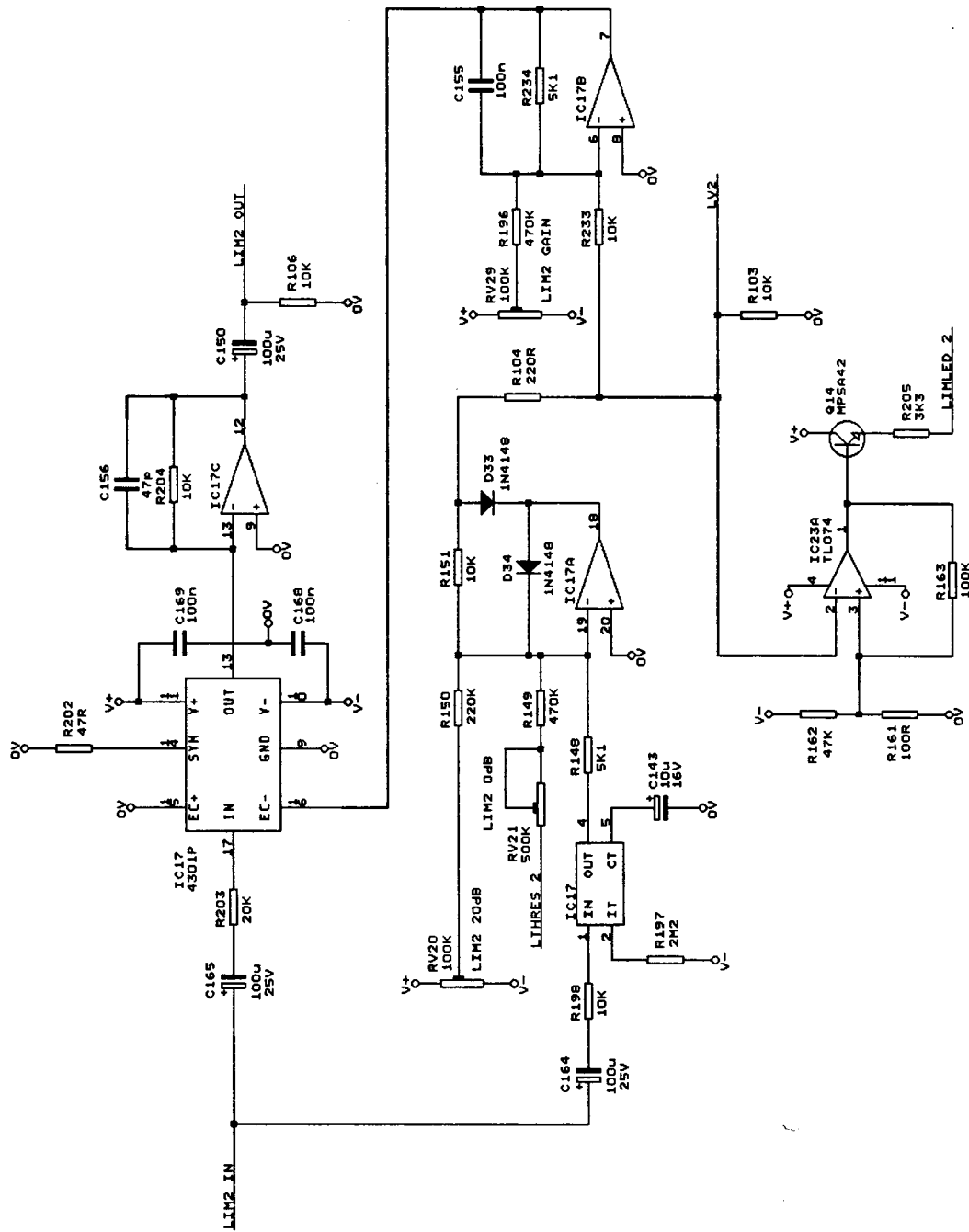
T L Audio	
COPYRIGHT 2003	
Title	5052 STEREO PROCESSOR MAIN BOARD
Size	Document Number
B	CD1192
REV	1
Date	June 19, 2003 Sheet 9 of 13



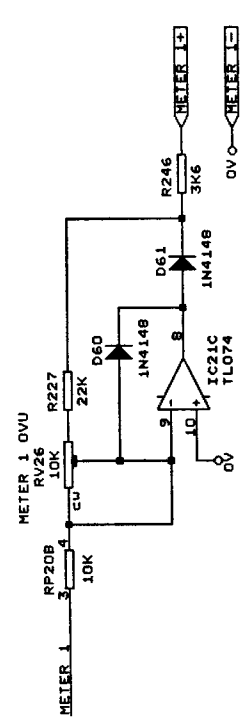
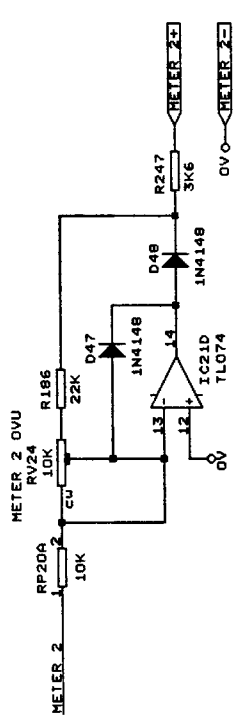
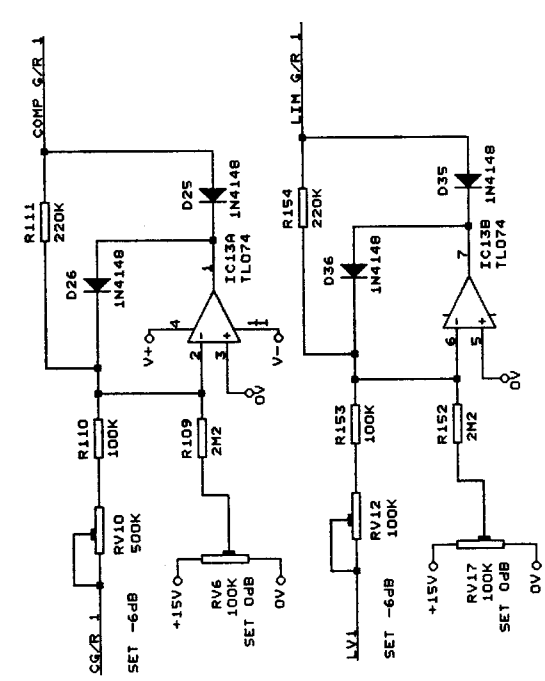
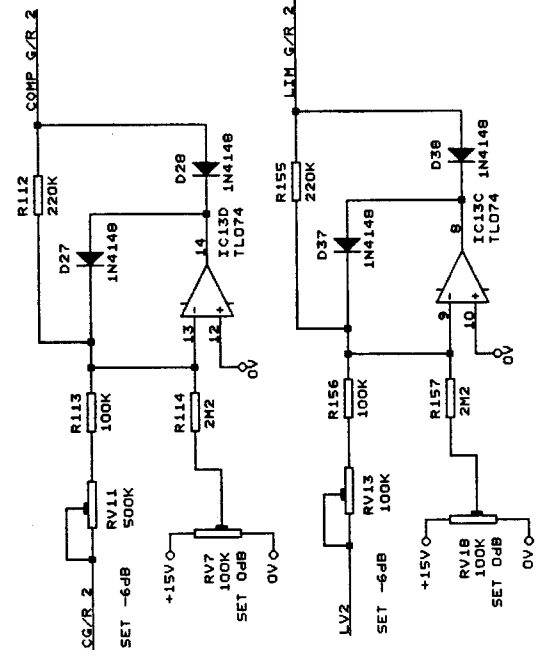
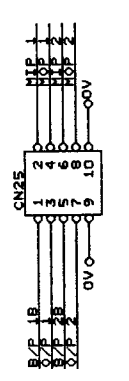
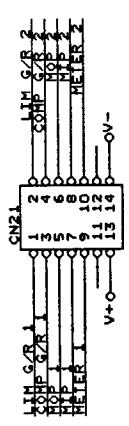
T L Audio
 COPYRIGHT 2003
 Title: 5052 STEREO PROCESSOR MAIN BOARD
 Size: Document Number: CD1192
 REV: B
 Date: June 19, 2003 Sheet 10 of 14



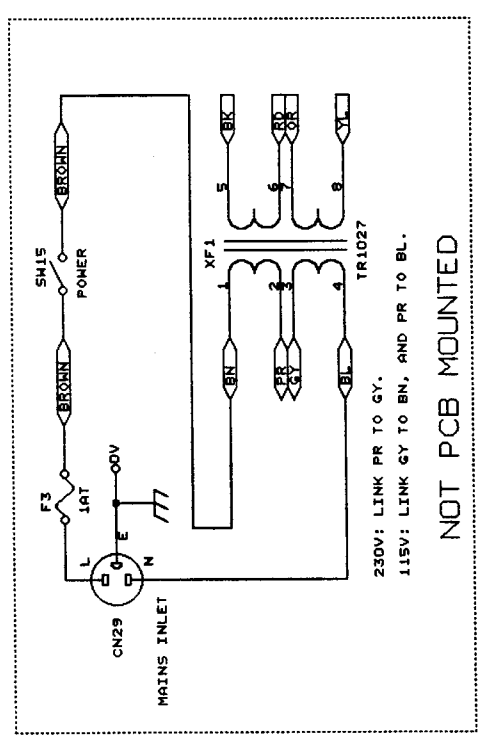
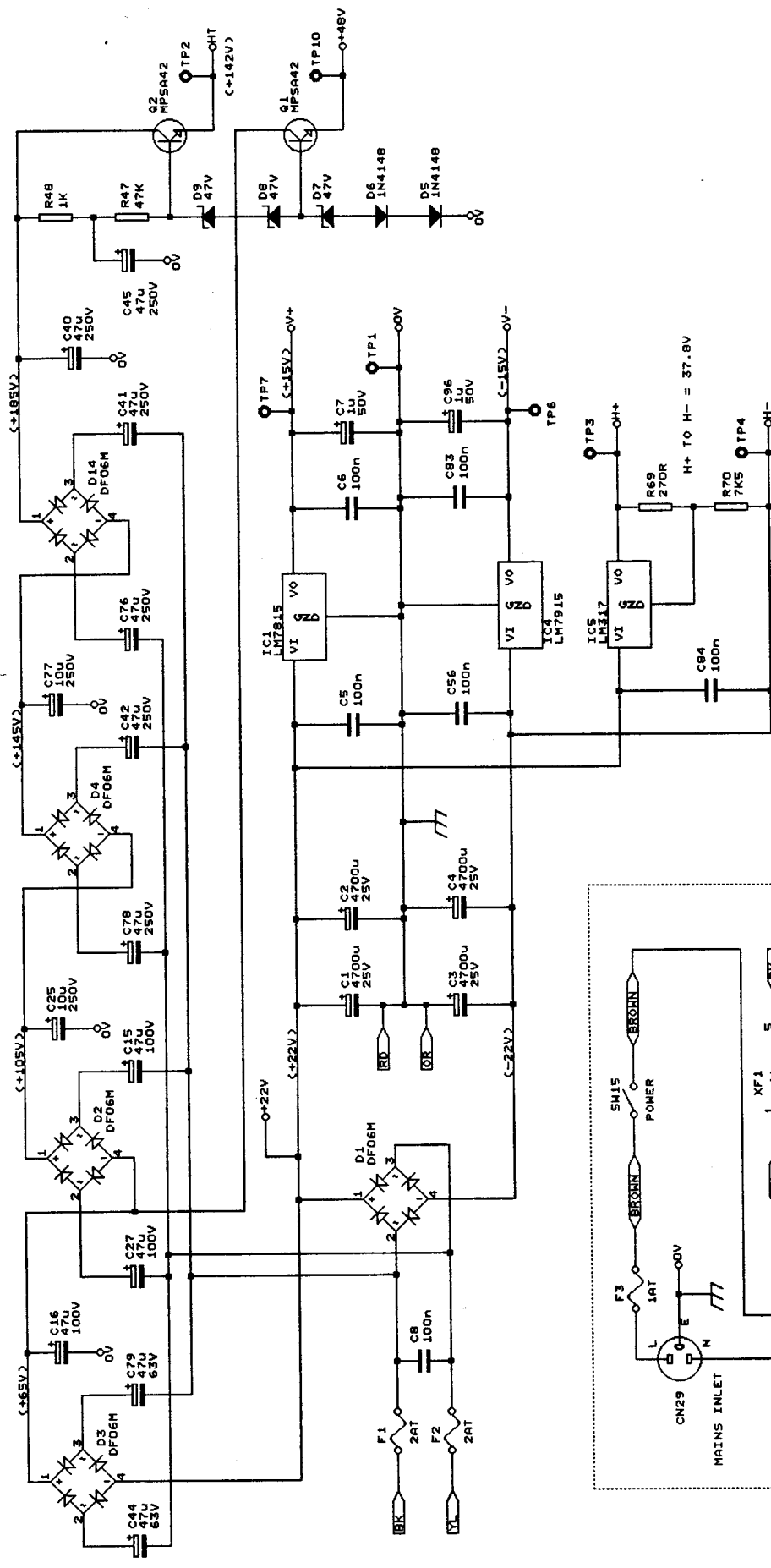
T L Audio
 COPYRIGHT 2003
 Title 5052 STEREO PROCESSOR MAIN BOARD
 Size Document Number CD1192
 B 1
 Date: June 19, 2003 Sheet 11 of 14



T L Audio
 COPYRIGHT 2003
 Title 5052 STEREO PROCESSOR MAIN BOARD
 Size Document Number CD1192
 REV 1
 Date: June 19, 2003 Sheet 12 of 14



T L Audio
 COPYRIGHT 2003
 Title: 5052 STEREO PROCESSOR MAIN BOARD
 Size: Document Number: CD1185
 REV: 1
 Date: June 19, 2003 Sheet 13 of 14



230V: LINK PR TO GY.
 115V: LINK GY TO BN, AND PR TO BL.

NOT PCB MOUNTED

TL Audio	
COPYRIGHT 2003	
Title	5052 STEREO PROCESSOR MAIN BOARD
Size	Document Number
B	CD1192
REV	1
Date	June 19, 2003 Sheet 14 of 14

COMPRESSOR 1 CONTROLS SHEET 7

A,B

LF EQ 1 SHEET 8

C

LM EQ 1 SHEET 9

D

HM EQ 1 SHEET 6

E

HF EQ 1 SHEET 4

F

COMPRESSOR 2 CONTROLS SHEET 5

G,H

LF EQ 2 SHEET 2

I

LM EQ 2 SHEET 3

J

HM EQ 2 SHEET 10

K

HF EQ 2 SHEET 11

L

GAIN 1 CONTROLS SHEET 12

R

GAIN 2 CONTROLS SHEET 13

S

I/P + METER SWITCHES SHEET 14

M,N,P,T

NOTES FOR QUALIFIED SERVICE ENGINEERS

The highest voltage existing on this PCB under normal working circumstances is 200V DC.
The highest voltage existing within the equipment under normal working circumstances is 250V AC.

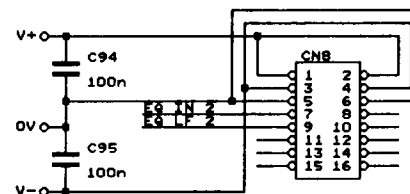
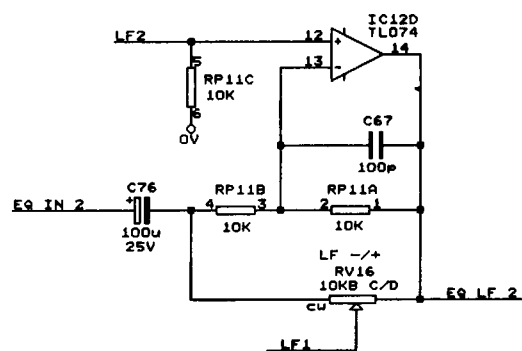
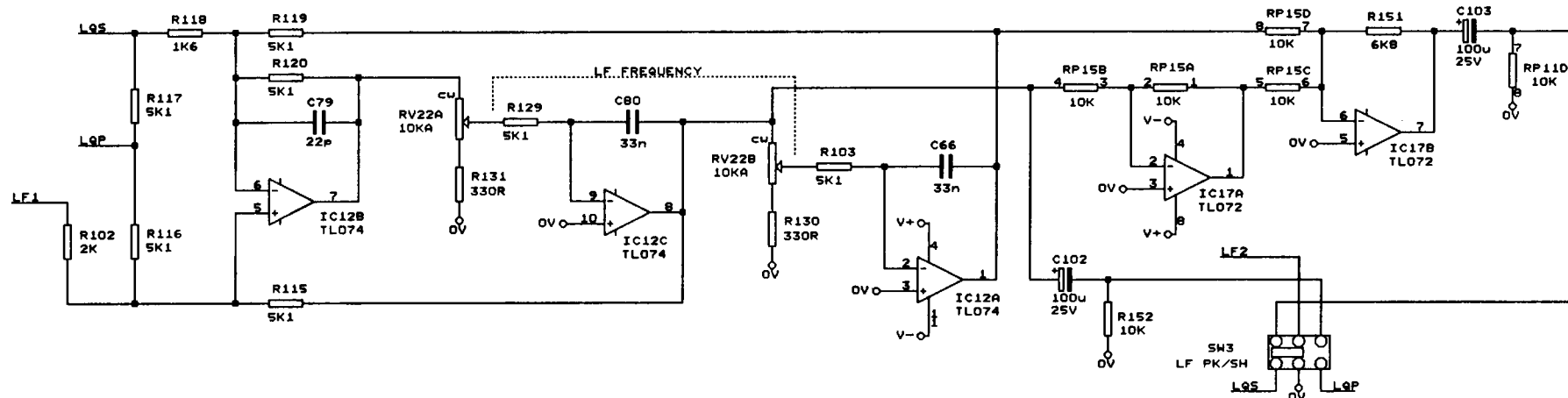
CARE MUST BE TAKEN WHEN FAULT FINDING.

- DO NOT handle the PCB while the unit is connected to the Mains Supply.
- DO NOT use screws with different type or length than those currently fitted.
- DO NOT remove EARTH wires under any circumstances.
- REPLACE all covers removed during servicing.
- During reassembly DO NOT allow wires to be trapped.

IF IN DOUBT CONSULT SUPPLIER.

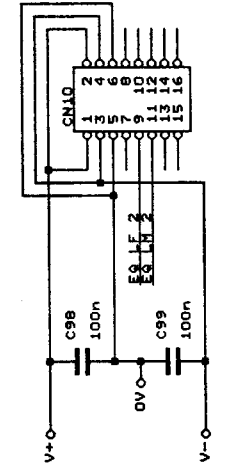
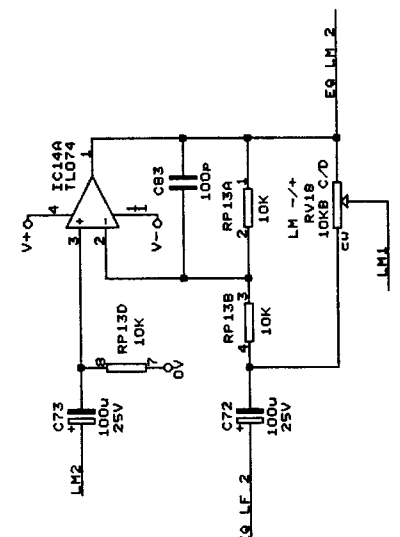
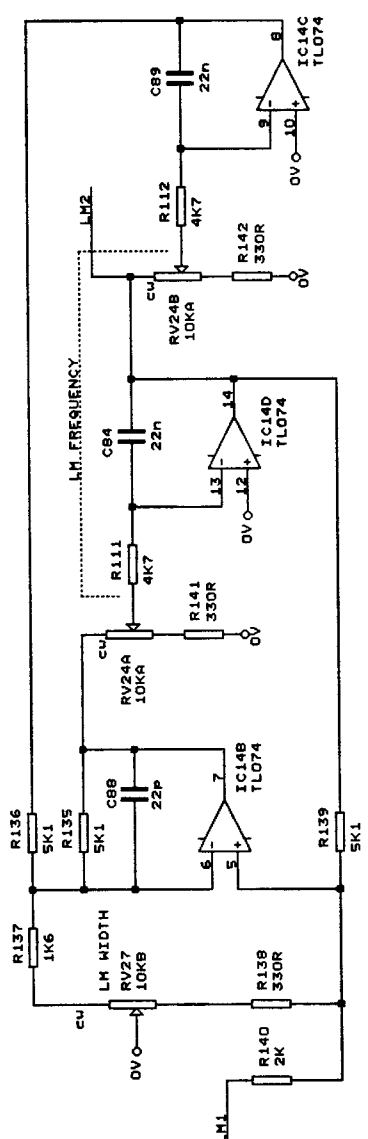
PCB ISSUE 3

T L Audio		
COPYRIGHT 2002		
Title		
5052 STEREO PROCESSOR		
Size	Document Number	REV
B	CD1193	1
Date:	June 19, 2003	Sheet 1 of 14



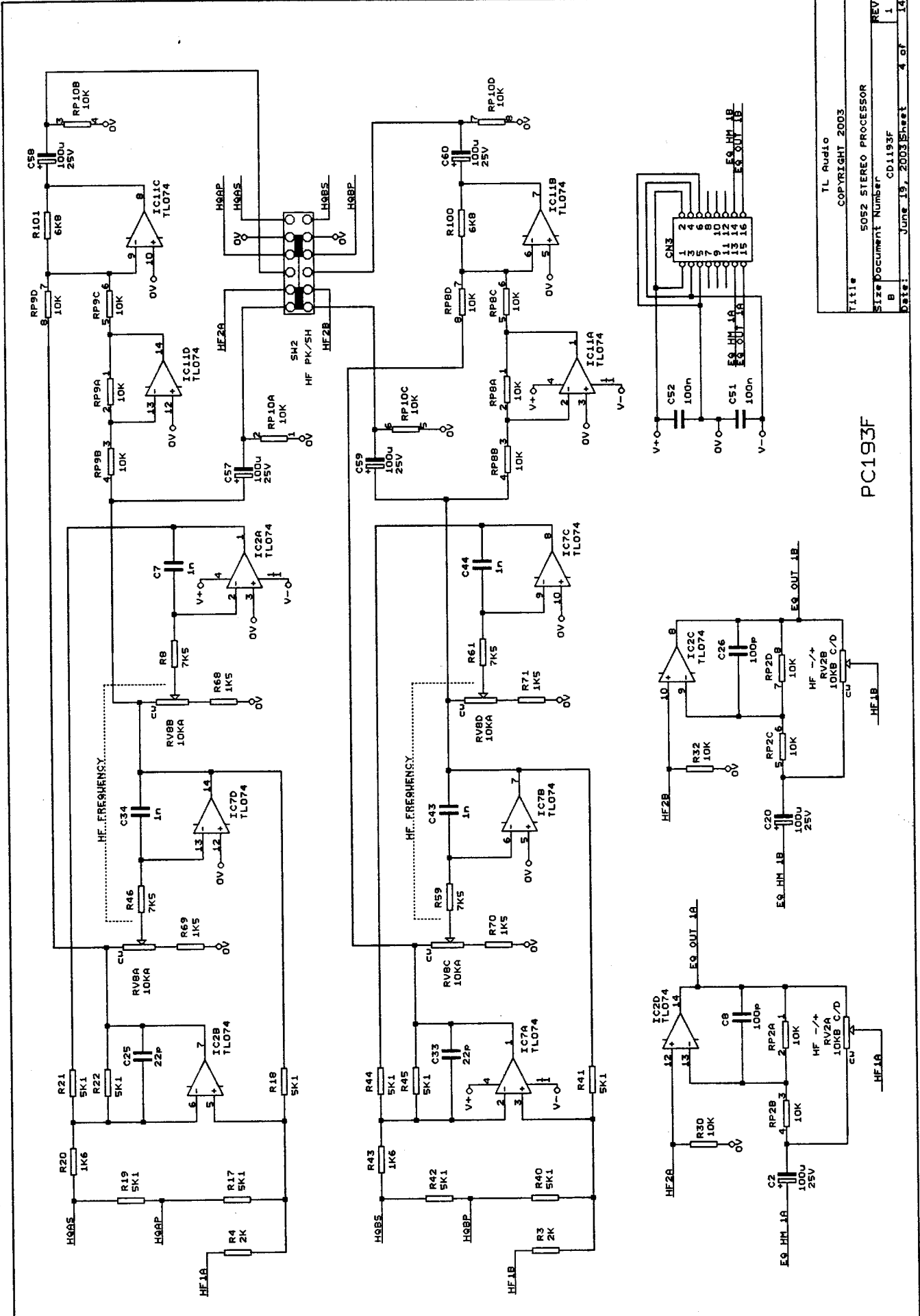
PC193I

TL Audio	
COPYRIGHT 2003	
Title	
5052 STEREO PROCESSOR	
Size	Document Number
B	CD1193I
Date:	June 19, 2003 Sheet 2 of 14
REV	1



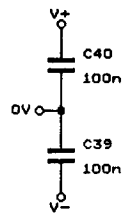
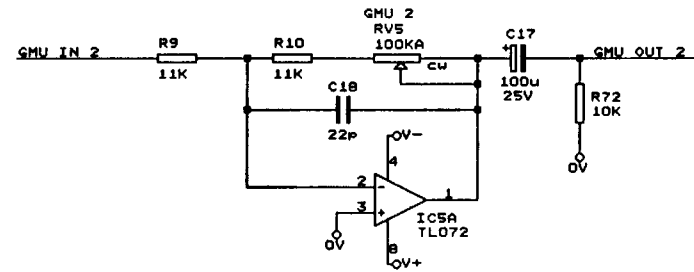
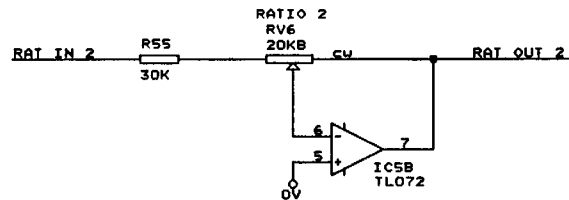
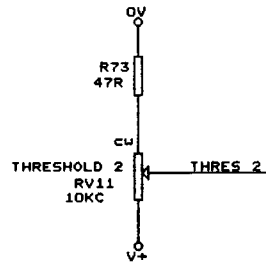
TL Audio	
COPYRIGHT 2003	
Title	5052 STEREO PROCESSOR
Size	Document Number
B	CD1193J
REV	1
Date:	June 19, 2003 Sheet 3 of 14

PC193J

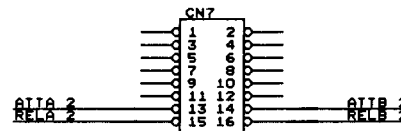
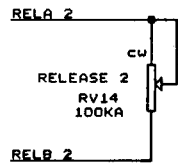
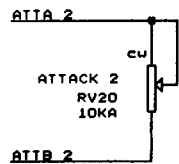
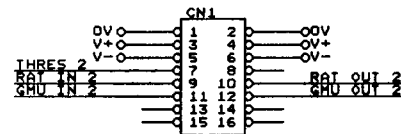


PC193F

TL Audio
 COPYRIGHT 2003
 Title
 5052 STEREO PROCESSOR
 Size Document Number CD193F
 B
 REV 1
 Date: June 19, 2003 Sheet 4 of 14

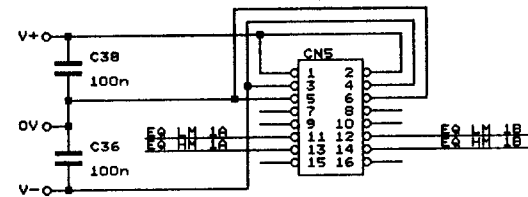
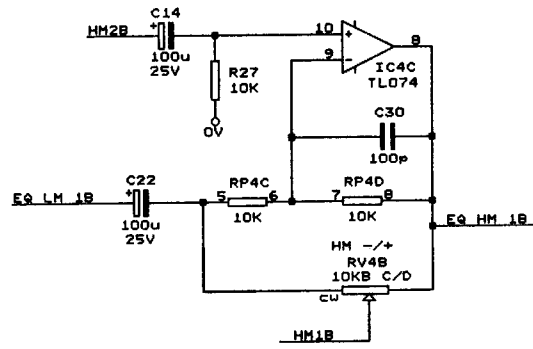
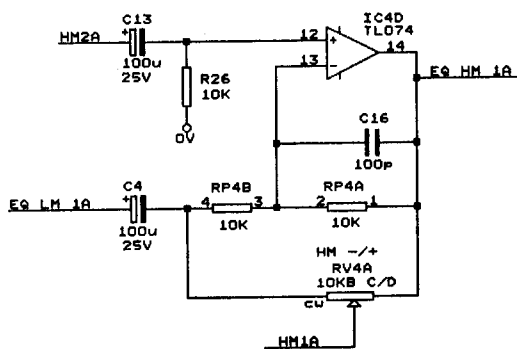
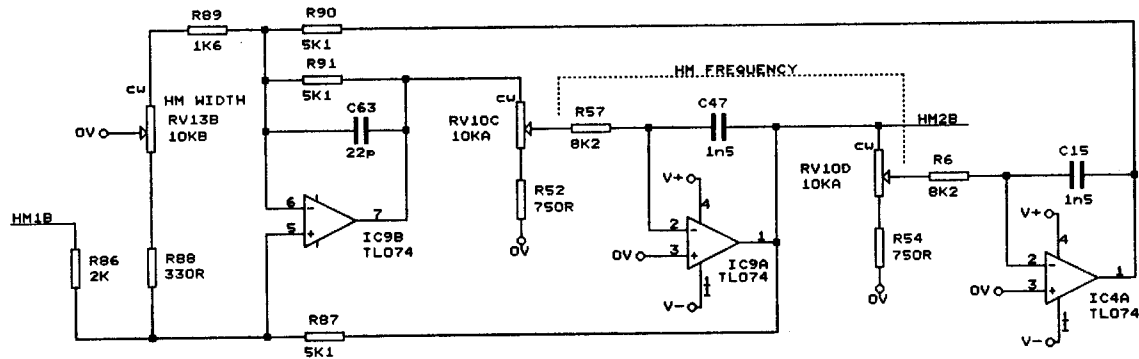
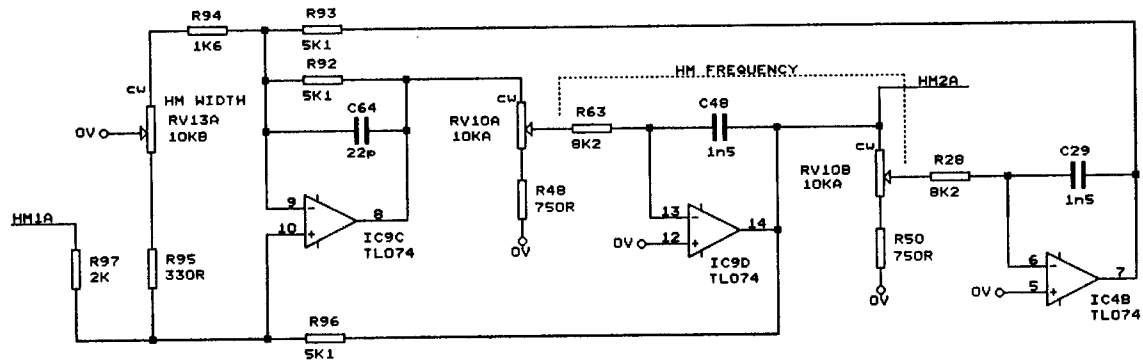


PC193G



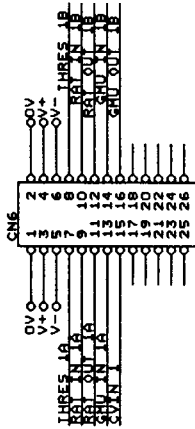
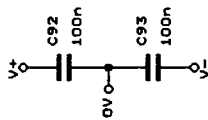
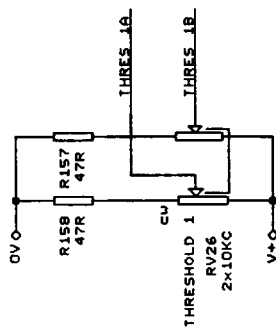
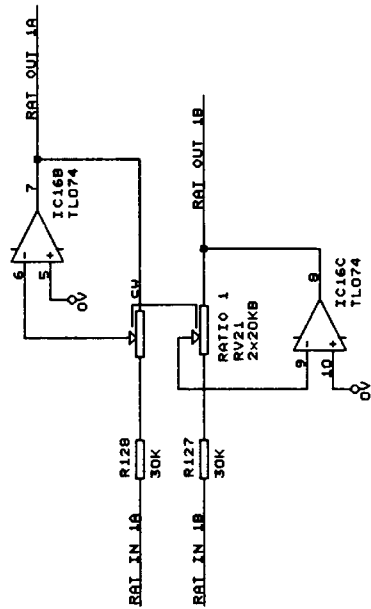
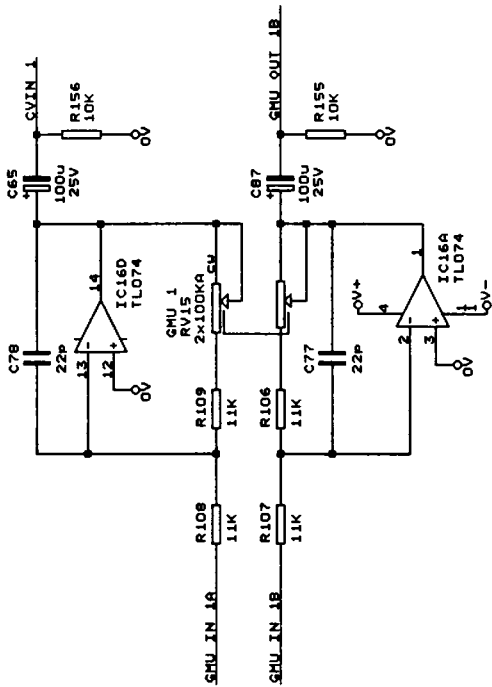
PC193H

TL Audio	
COPYRIGHT 2003	
Title	
5052 STEREO PROCESSOR	
Size	Document Number
B	CD1193G
Date:	June 19, 2003
Sheet	5 of 14
REV	1

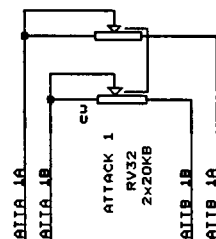
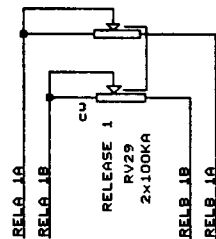
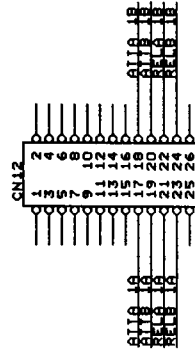


PC193E

TL Audio	
COPYRIGHT 2003	
Title S052 STEREO PROCESSOR	
Size Document Number	REV
B CD1193E	1
Date: June 19, 2003	Sheet 6 of 14

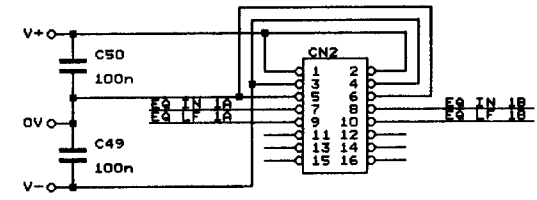
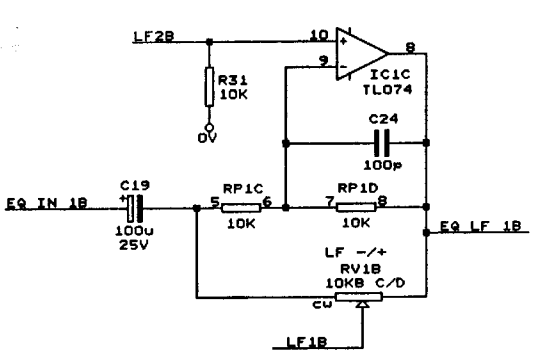
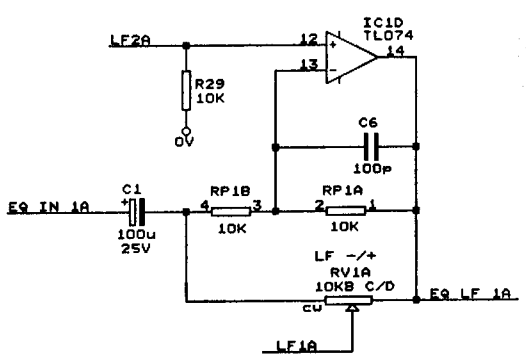
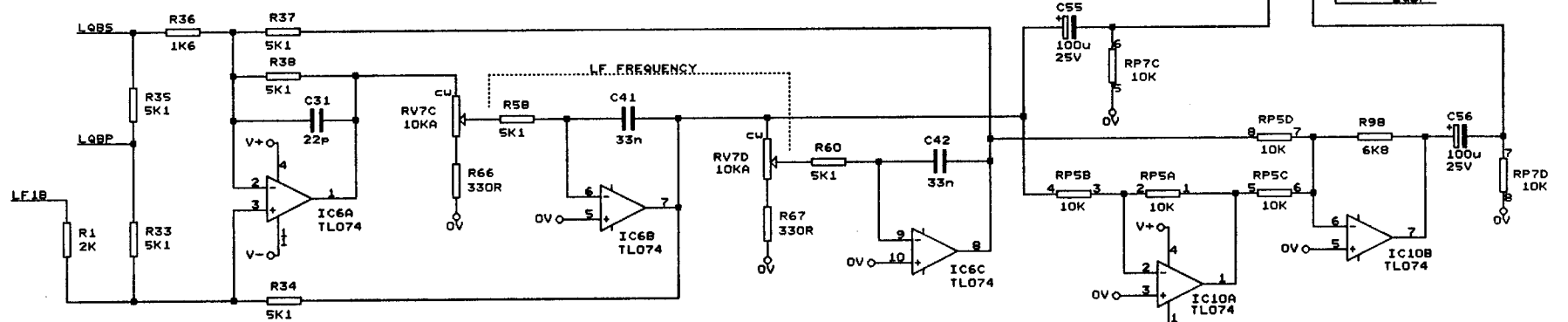
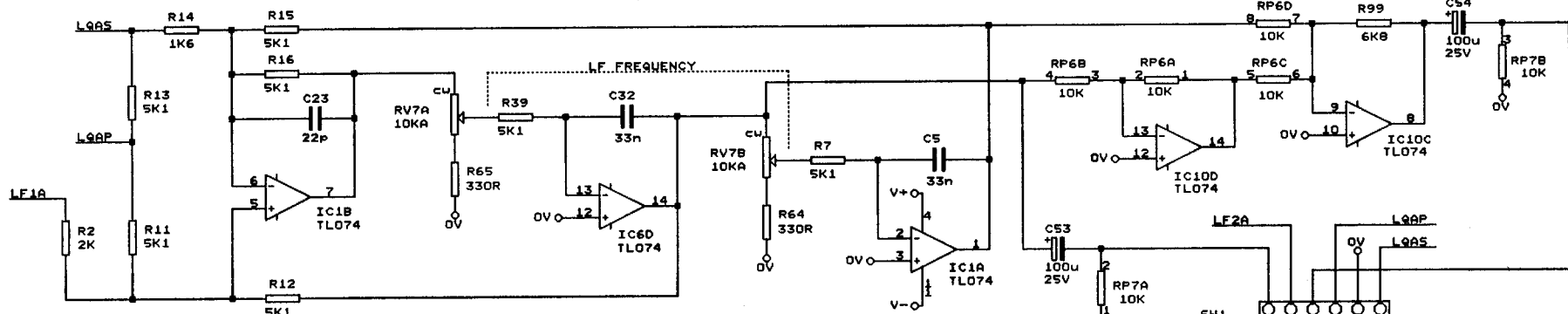


PC193A



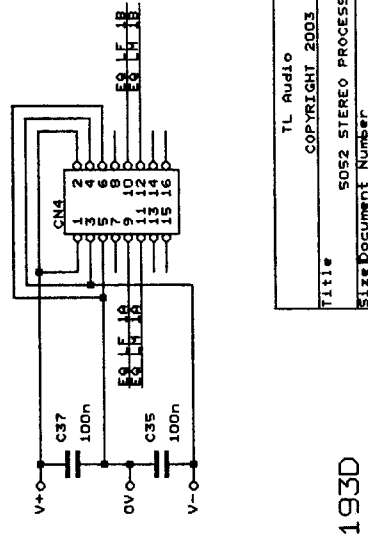
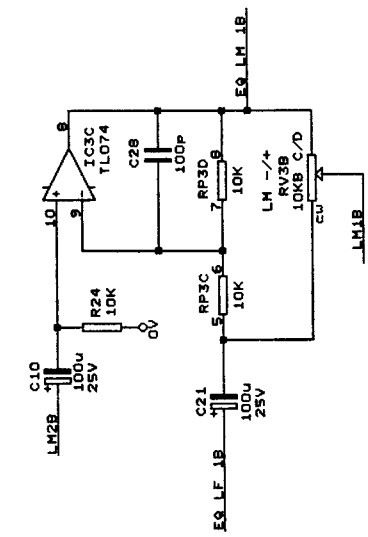
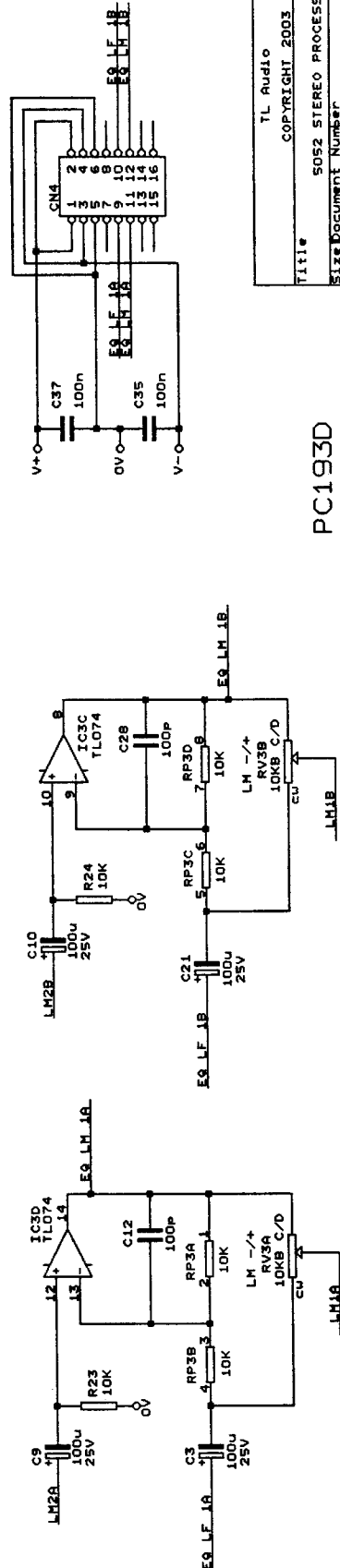
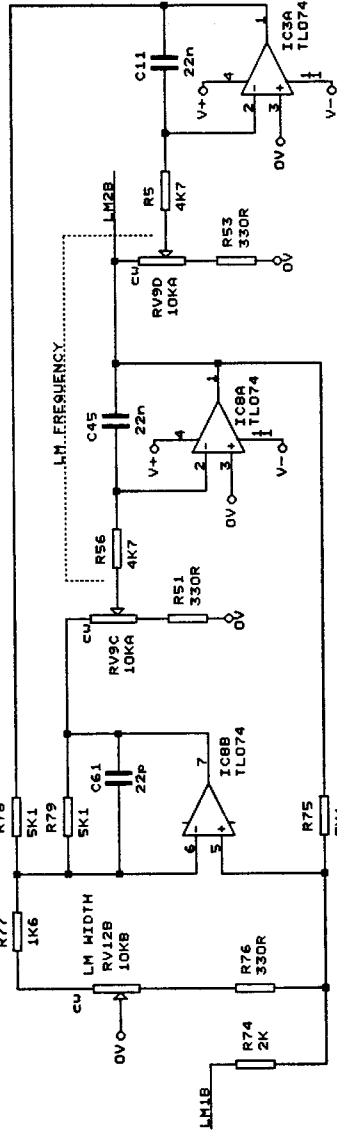
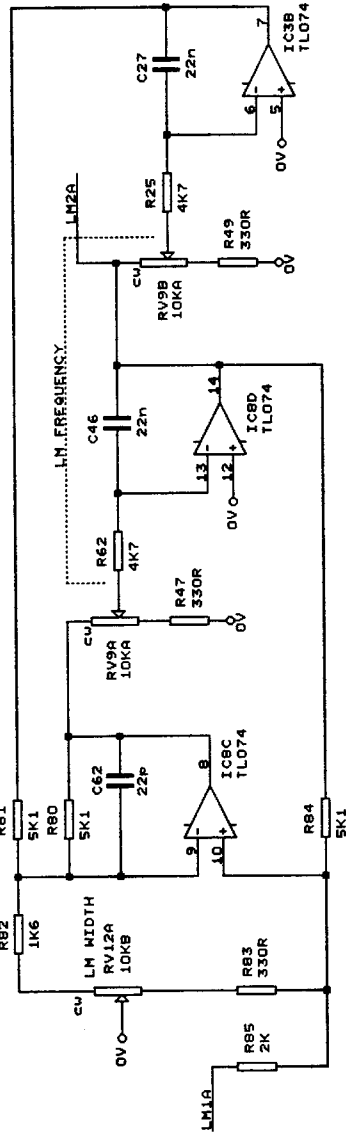
PC193B

Title	TL Audio
Size	5052 STEREO PROCESSOR
Document Number	CD193A
REV	1
Date	June 19, 2003 Sheet 7 of 14



PC193C

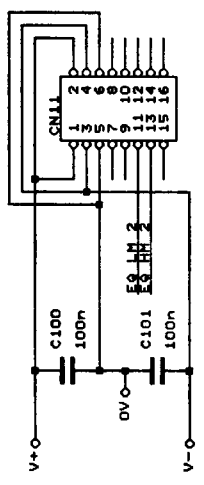
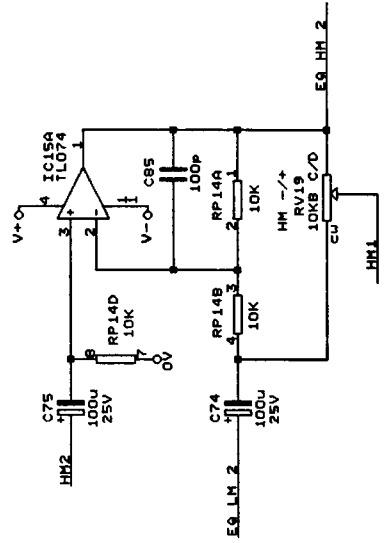
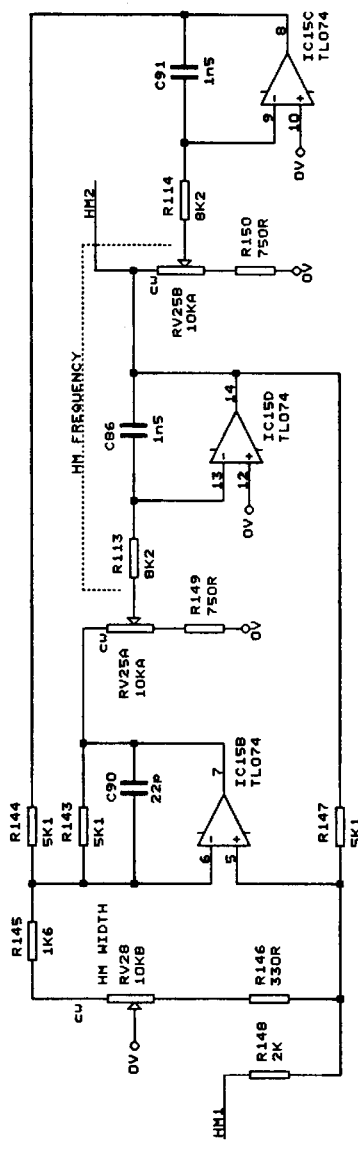
TL Audio	
COPYRIGHT 2003	
Title 5052 STEREO PROCESSOR	
Size Document Number	REV
B CD1193C	1
Date: June 19, 2003	Sheet 8 of 14



PC193D

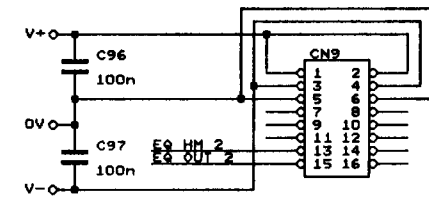
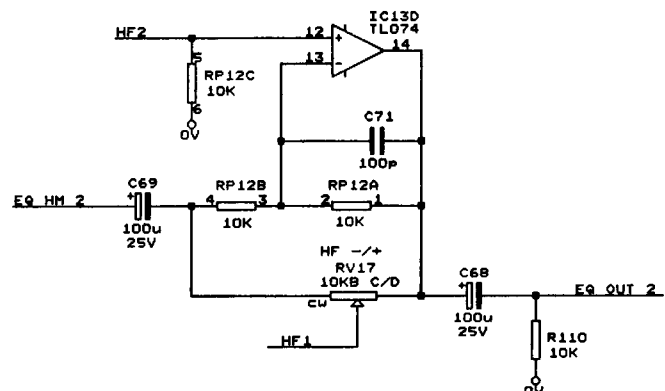
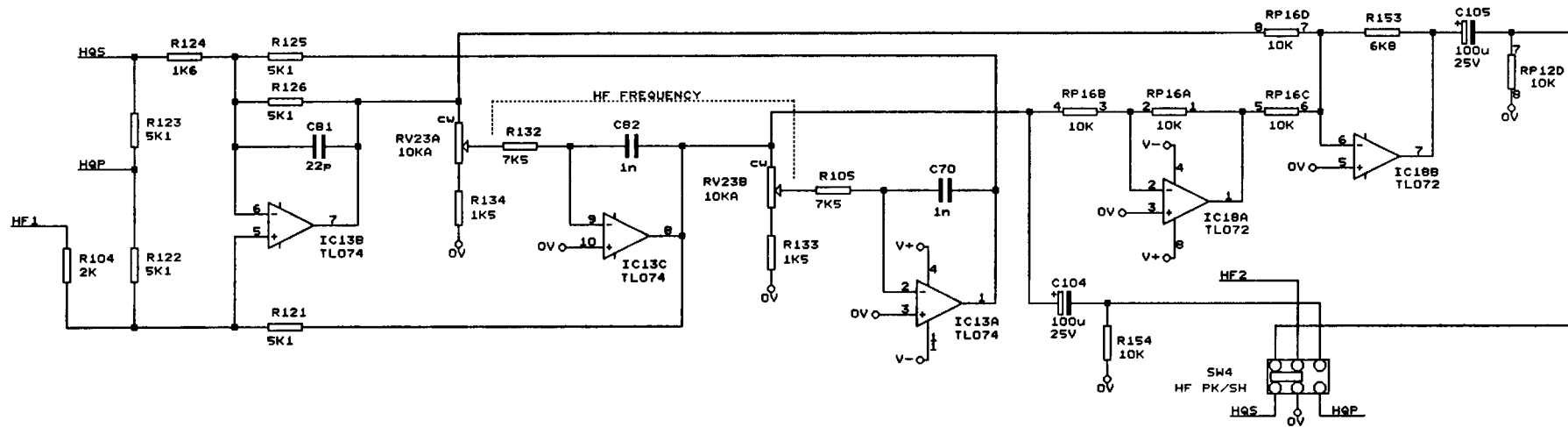
Title	TL Audio
Size	B
Document Number	CD1193D
REV	1
Date	June 19, 2003 Sheet 9 of 14

Copyright 2003
5052 STEREO PROCESSOR



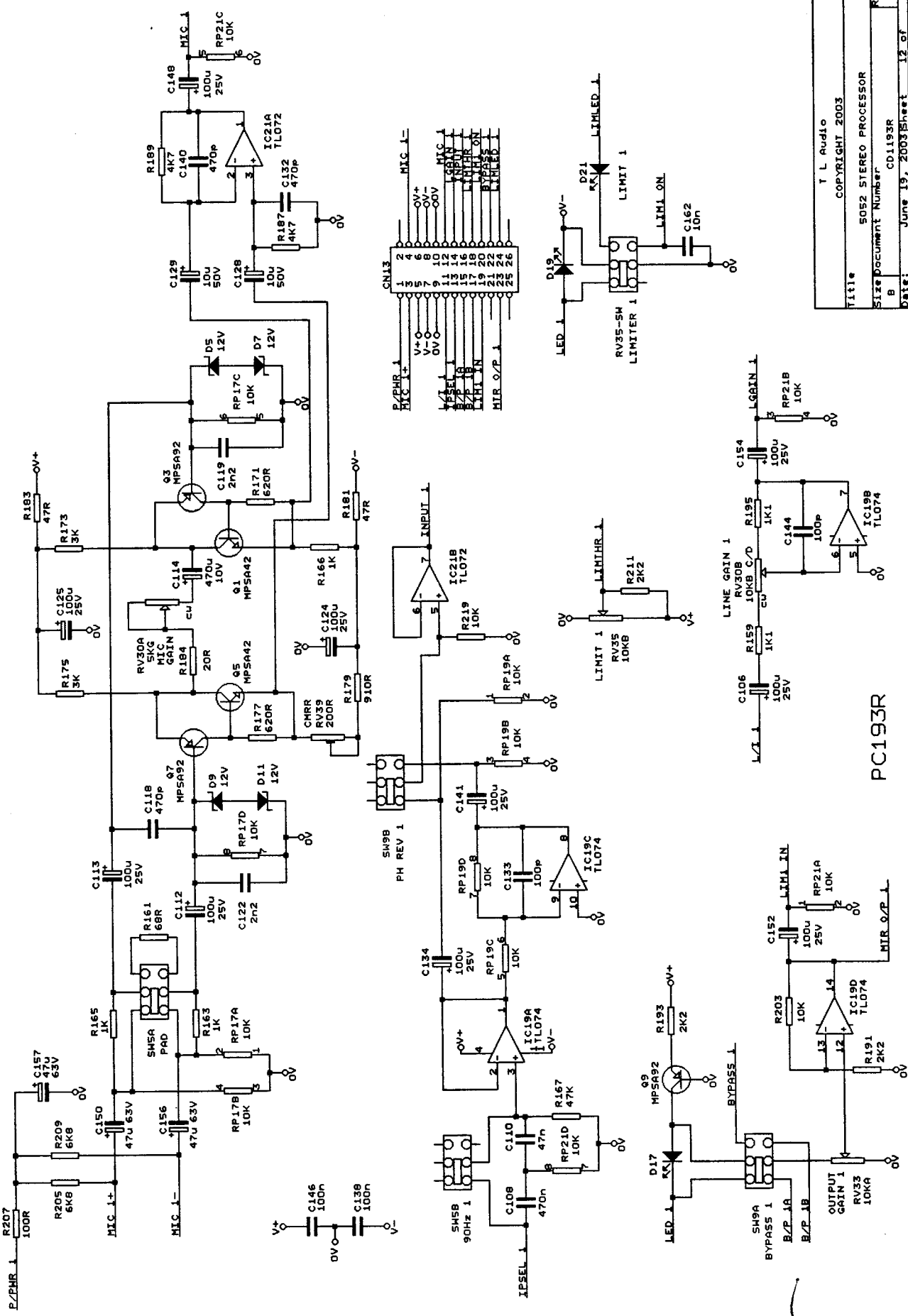
PC193K

TL Audio	
COPYRIGHT 2003	
Title	5052 STEREO PROCESSOR
Size	Document Number
B	CD1193K
REV	1
Date	June 19, 2003
Sheet	10 of 14



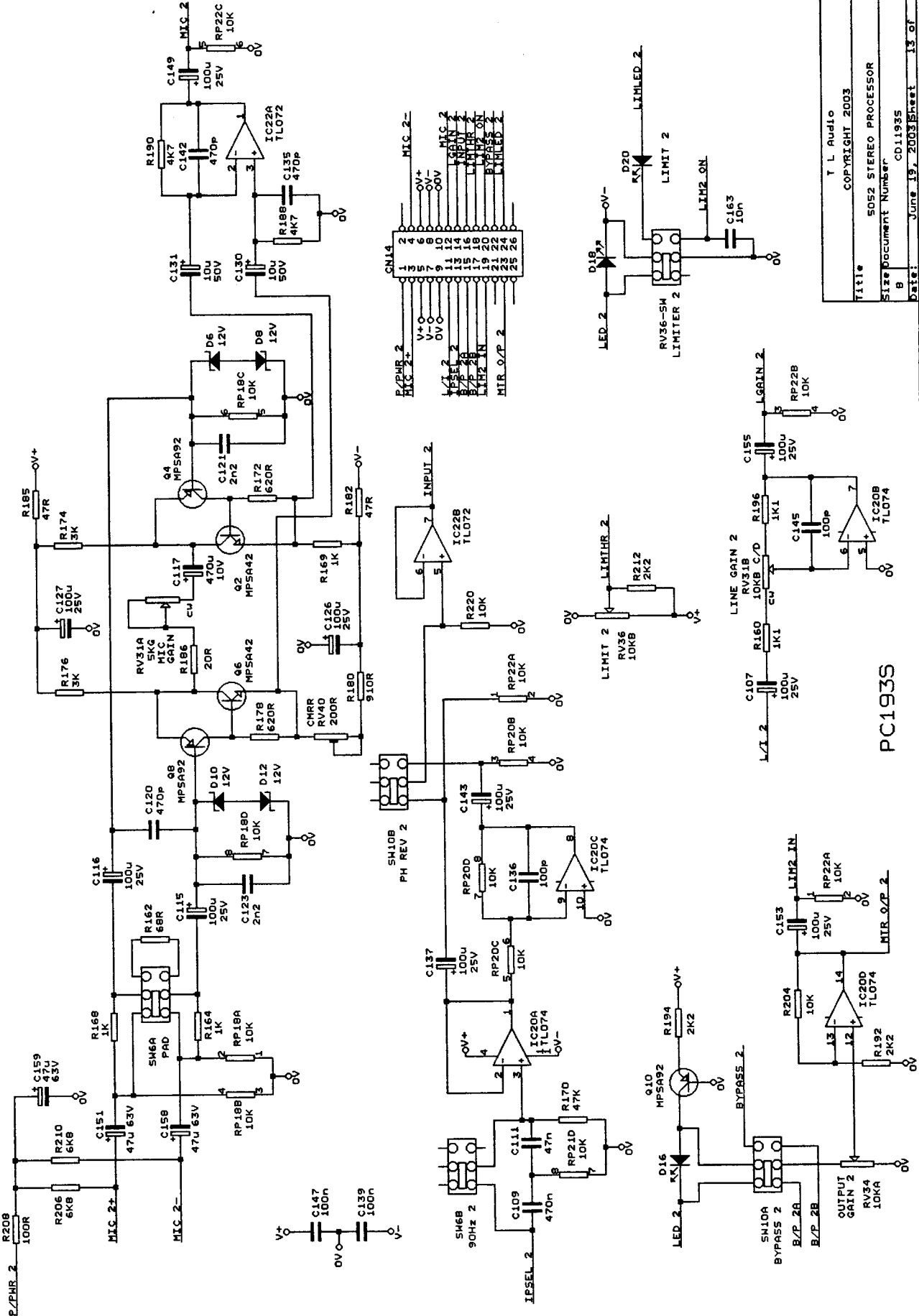
PC193L

TL Audio	
COPYRIGHT 2003	
Title 5052 STEREO PROCESSOR	
Size	Document Number
B	CD1193L
Date:	June 19, 2003 Sheet 11 of 14
REV	1



PC193R

Title	T L Audio
Size	B
Document Number	5052 STEREO PROCESSOR
REV	1
Date	June 19, 2003 Sheet 12 of 14



PC1935

Title	T L Audio
Size	5052 STEREO PROCESSOR
Doc Number	CD11935
Rev	1
Date	June 19, 2003
Sheet	13 of 14

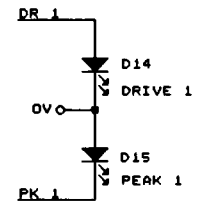
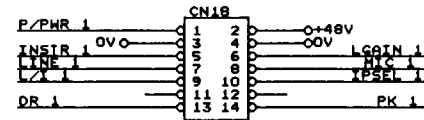
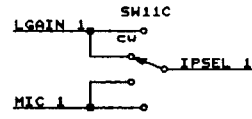
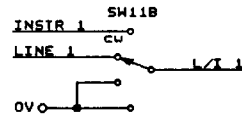
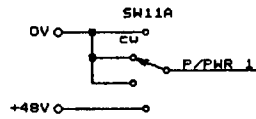
T L Audio
COPYRIGHT 2003

5052 STEREO PROCESSOR

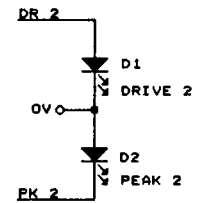
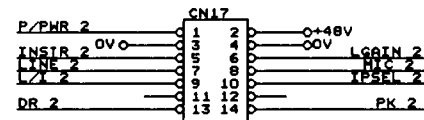
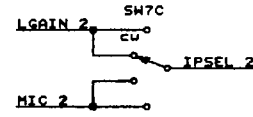
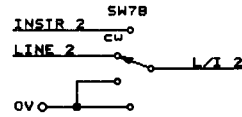
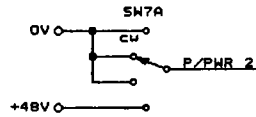
CD11935

REV 1

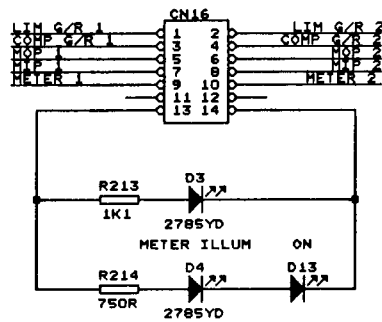
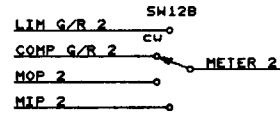
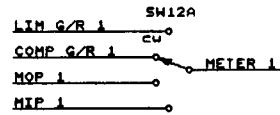
Date: June 19, 2003 Sheet 13 of 14



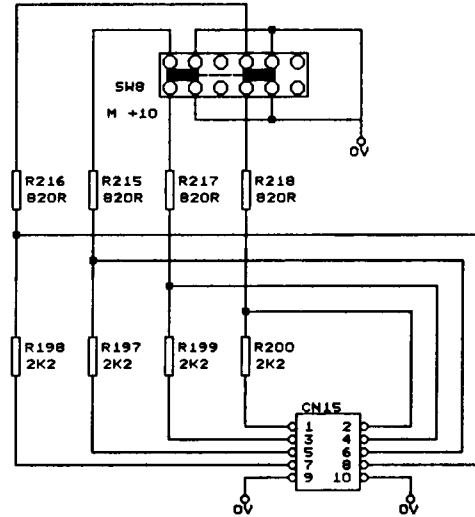
PC193P



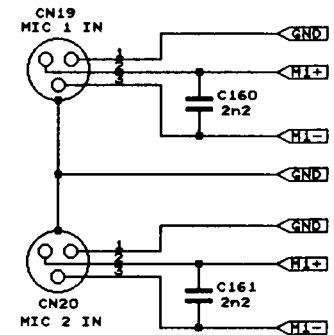
PC193M



PC193N



PC193T



T L Audio		
COPYRIGHT 2003		
Title		
S052 STEREO PROCESSOR		
Size Document Number		
B	CD1193P	REV 1
Date:	June 19, 2003	Sheet 14 of 14