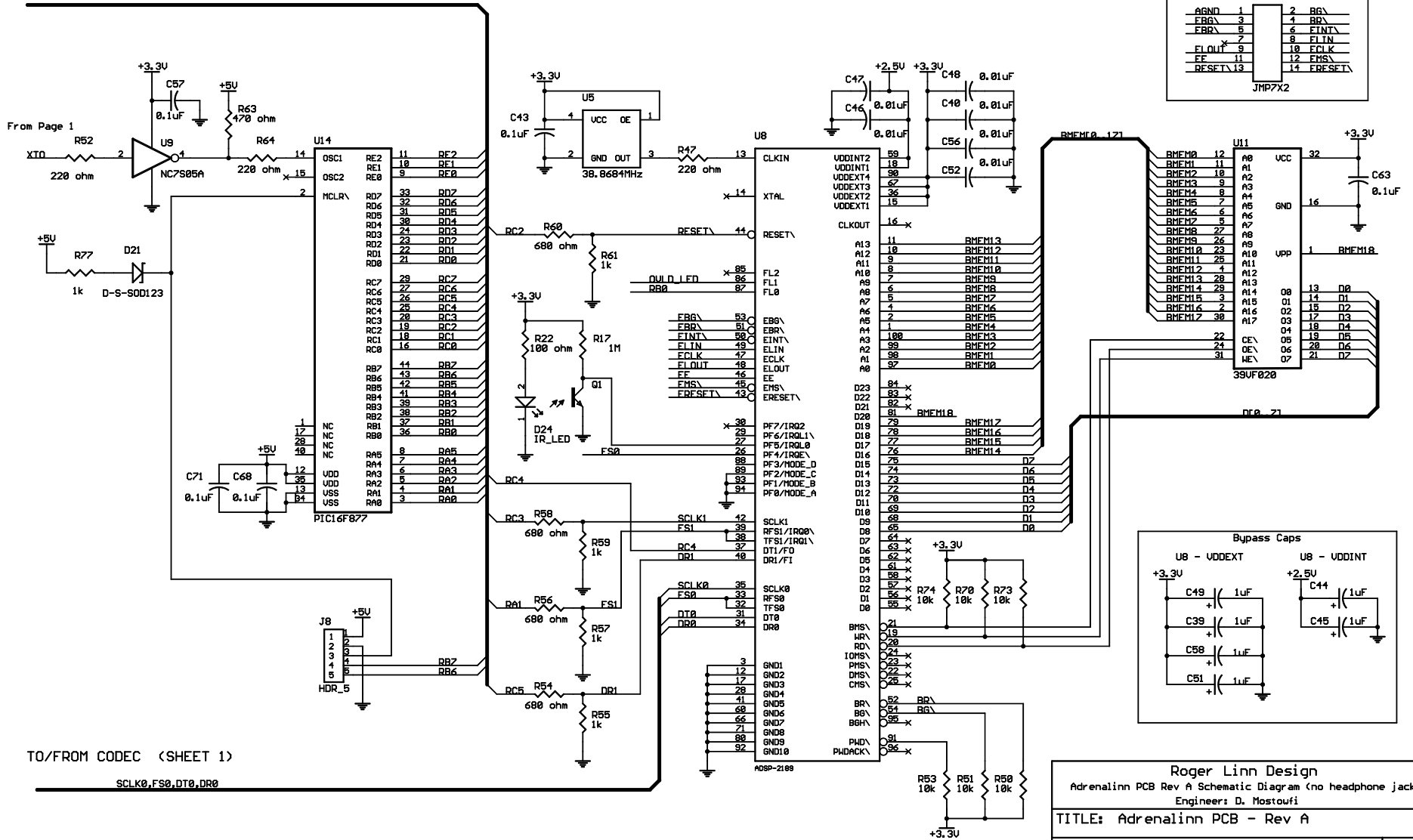


TO/FROM DIGITAL I/O (SHEETS 1 AND 3)

RAC0..5J,RBC0..7J,RCL0..7J,RDL0..7J,REI0..2J



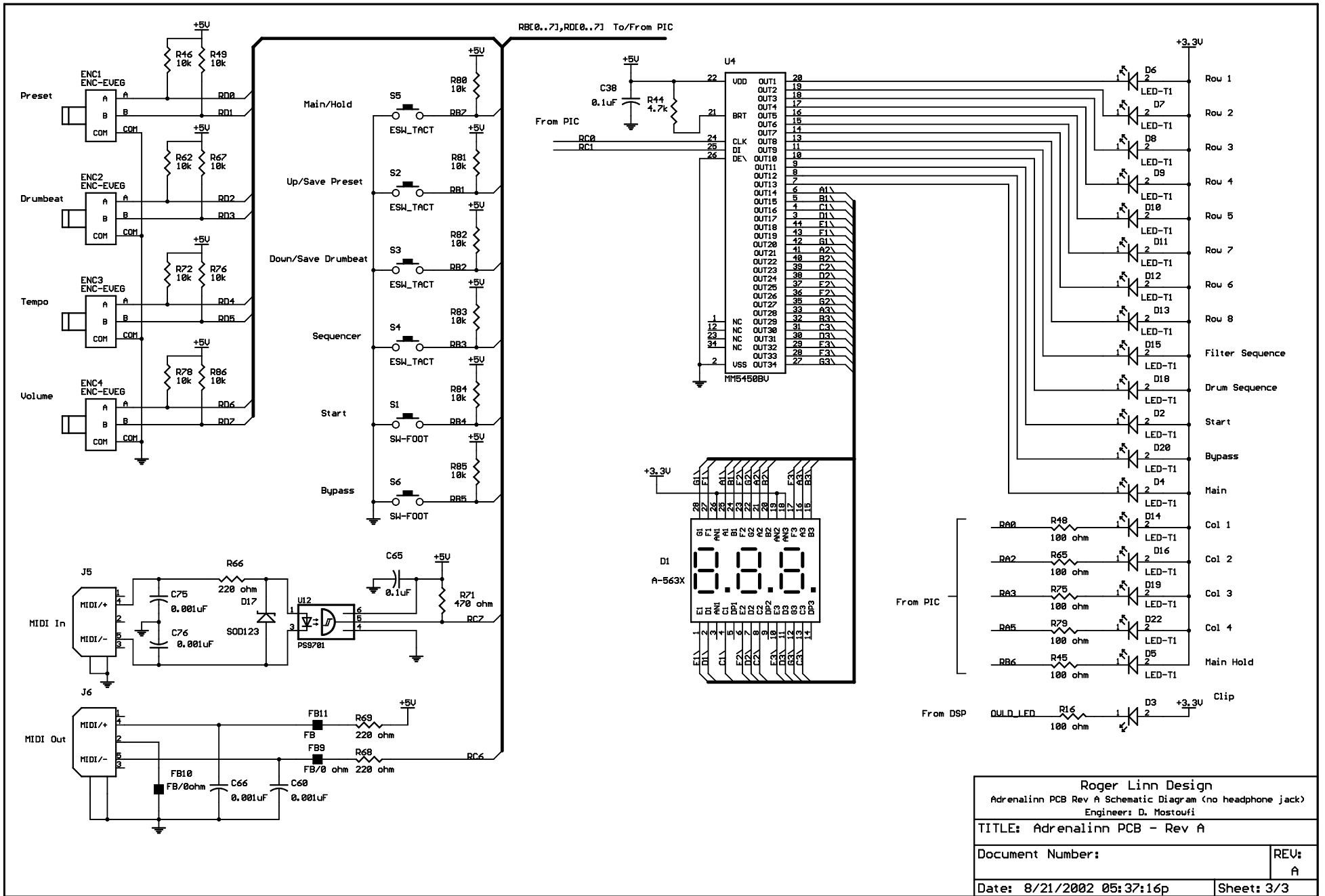
TO/FROM CODEC (SHEET 1)

SCLK0,FS0,DT0,DR0

**Roger Linn Design**  
Adrenalinn PCB Rev A Schematic Diagram (no headphone jack)  
Engineer: D. Mostoufi

**TITLE: Adrenalinn PCB - Rev A**

Document Number:	REV: A
Date: 8/21/2002 05:37:16p	Sheet: 2/3



<b>Roger Linn Design</b> Adrenalinn PCB Rev A Schematic Diagram (no headphone jack) Engineer: D. Mostoufi	
TITLE: Adrenalinn PCB - Rev A	
Document Number:	REV: A
Date: 8/21/2002 05:37:16p	Sheet: 3/3