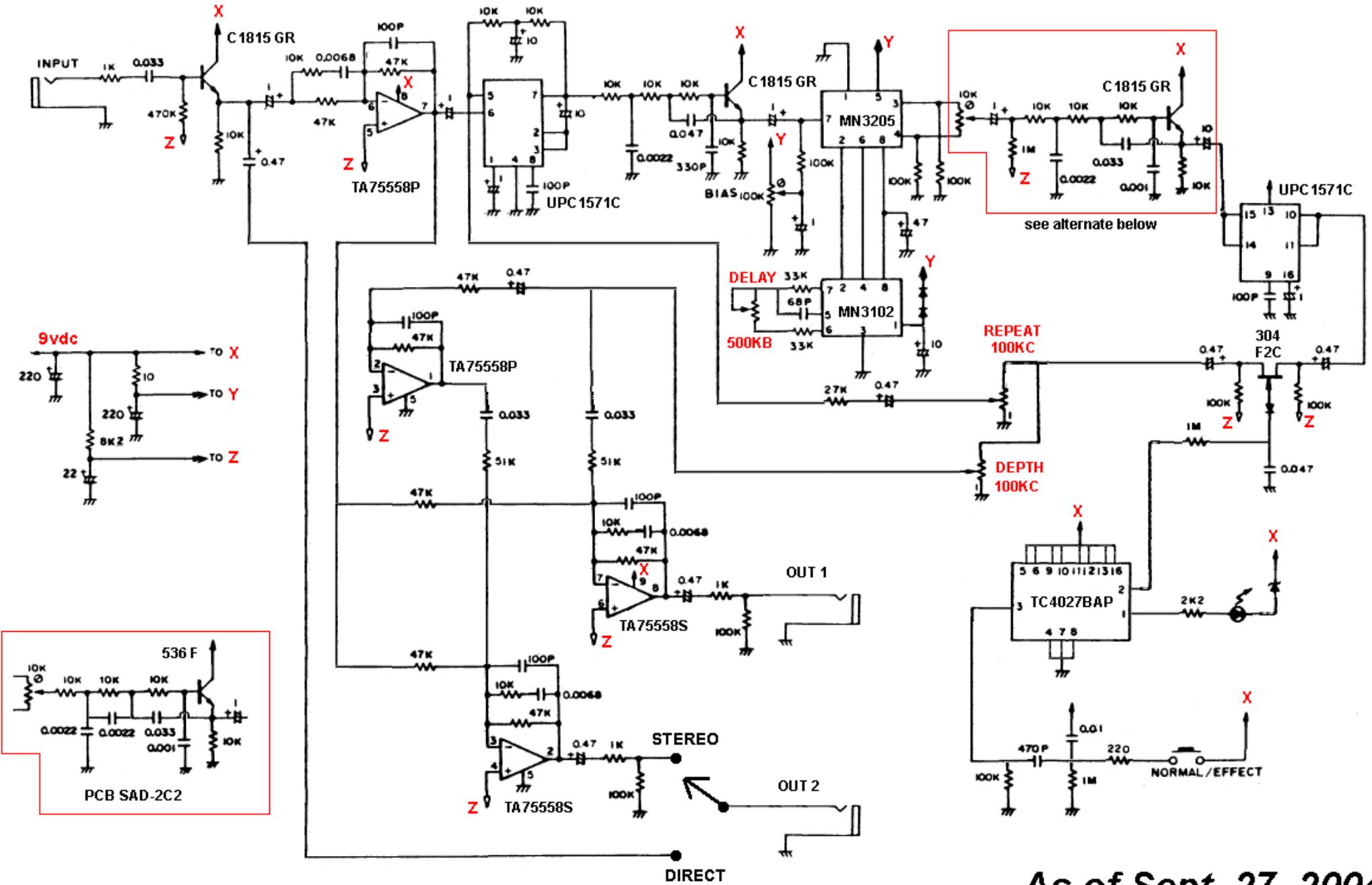


ARION STEREO DELAY

SAD-1 PCB SAD-1A



As of Sept. 27. 2004