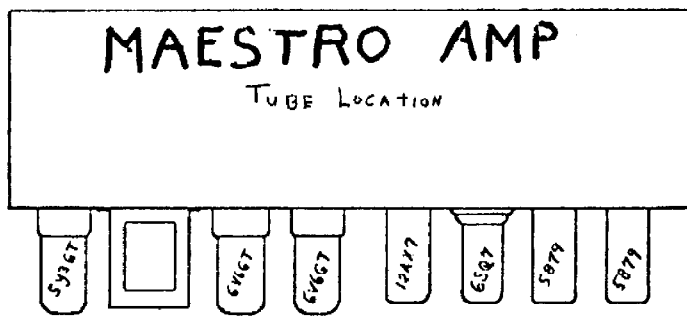
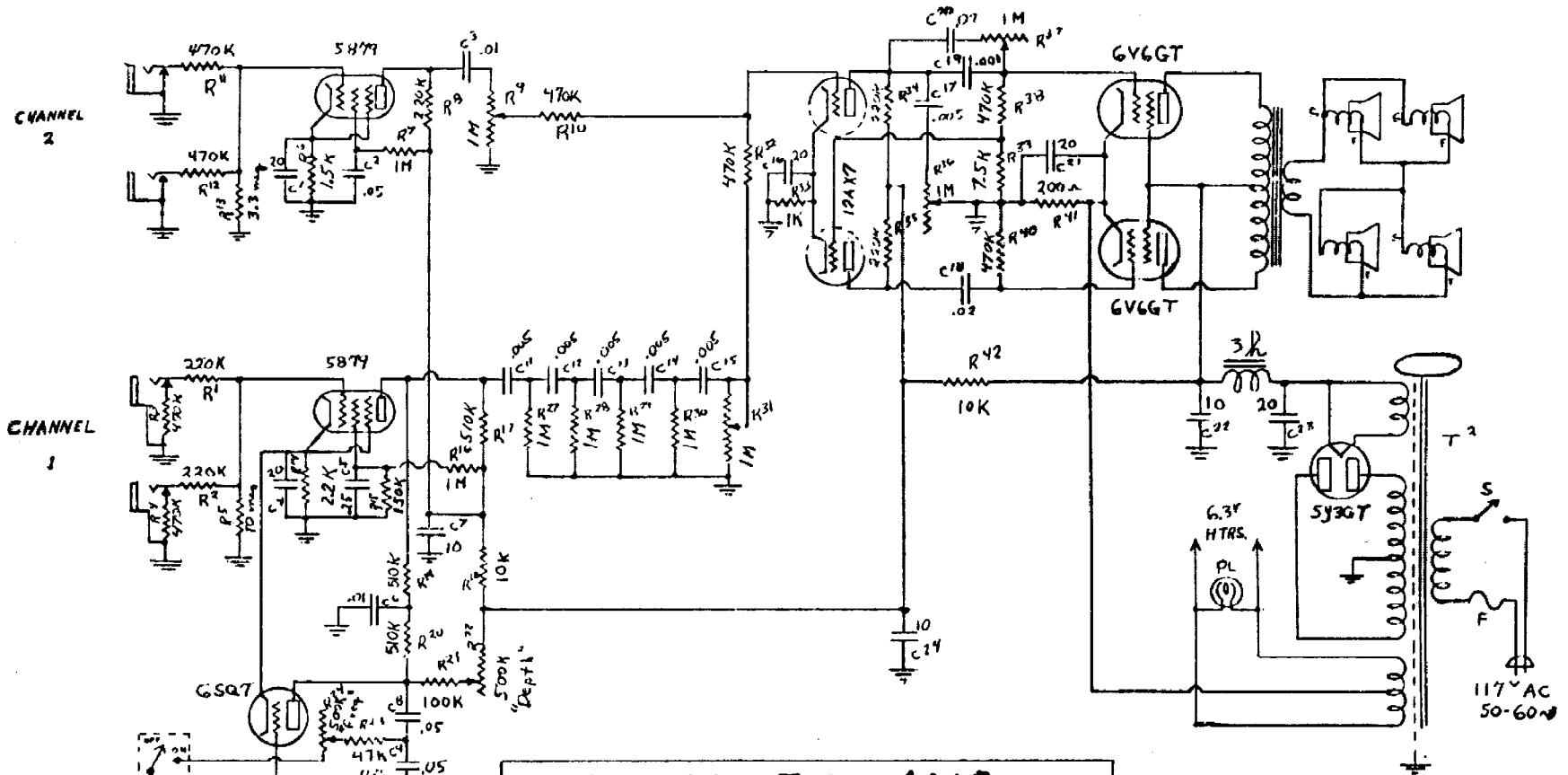
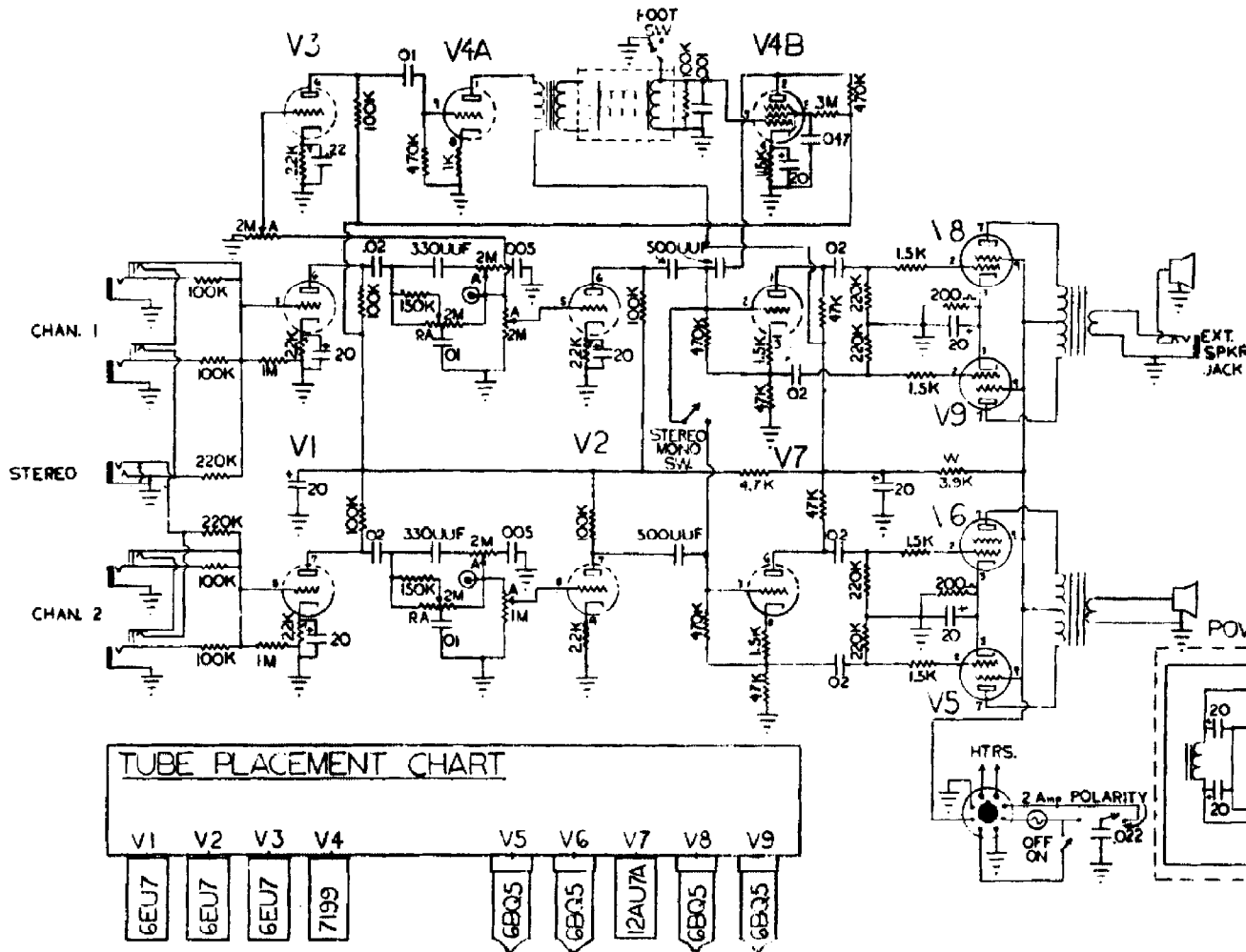


6V6 TREMOLO AMP

Maestro



Voltages to Chassis with 20,000 Ohms per Volt, Meter

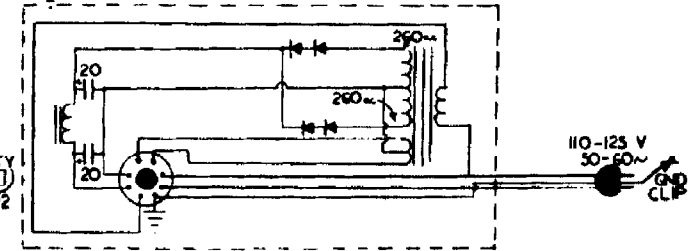


VOLTAGE CHART

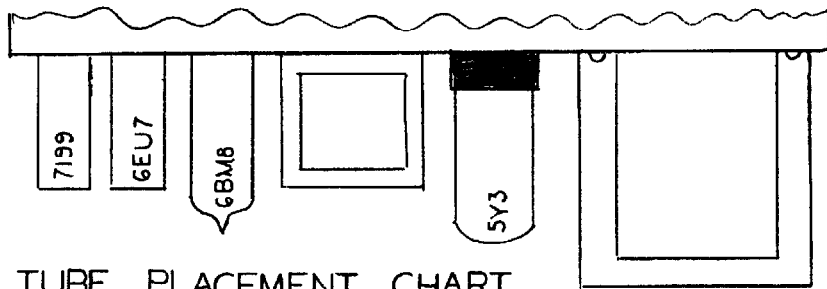
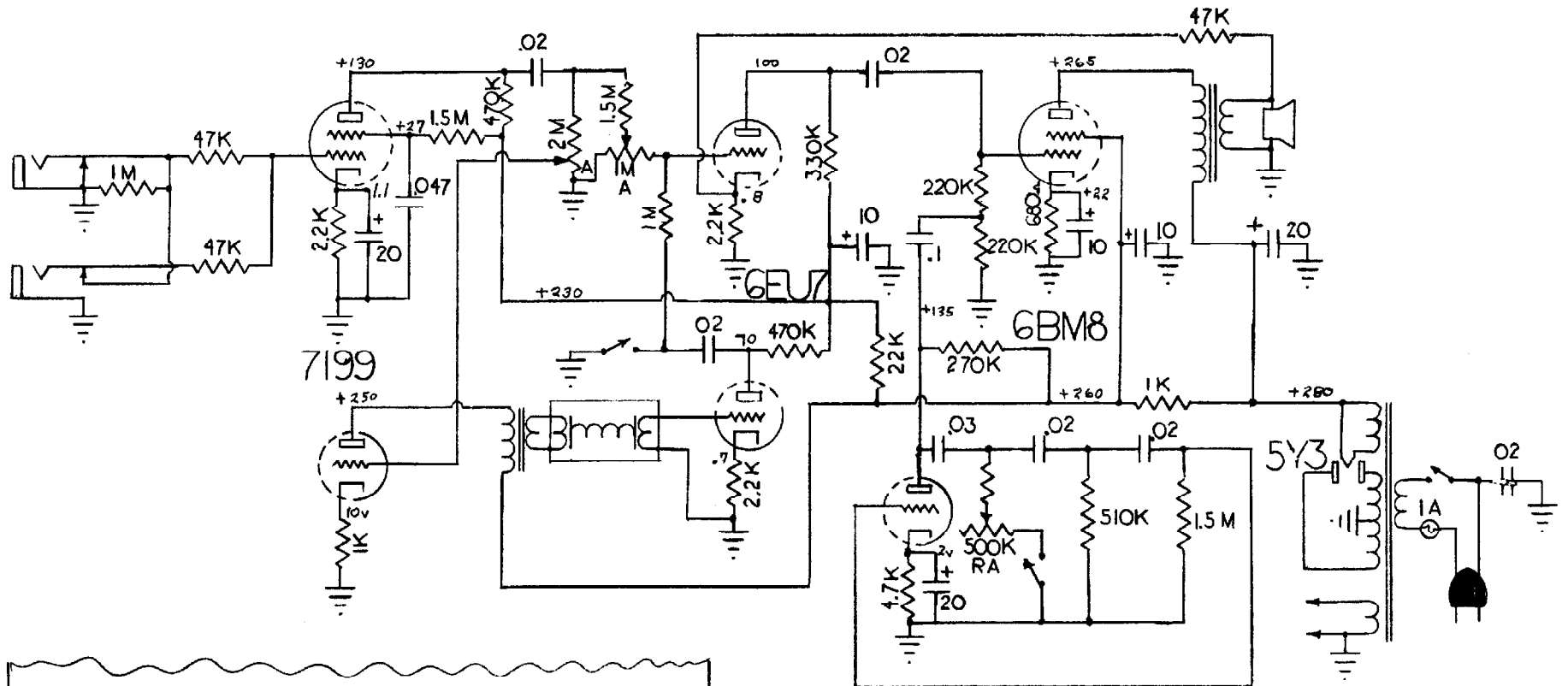
N R.	TYPE	PIN NR.								
		1	2	3	4	5	6	7	8	9
1	6EJ7	FIL	FIL	-	1,4	0	175	175	0	1,4
2	6EU7	FIL	FIL	-	1,4	0	175	175	0	1,4
3	6EU7	FIL	FIL	-	1,4	0	175	-	-	-
4	7199	245	105	16	FIL	FIL	.8	0	9	0
5	6BQ5	-	0	13	FIL	FIL	-	317	-	322
6	6BQ5	-	0	13	FIL	FIL	-	317	-	322
7	12AU7A	1G6	90	97	FIL	FIL	1G6	90	97	FIL
8	6BQ5	-	0	13	FIL	FIL	-	317	-	322
9	6BQ5	-	0	13	FIL	FIL	-	317	-	322

* MEASURED TO CHASSIS WITH V.T.V.M.

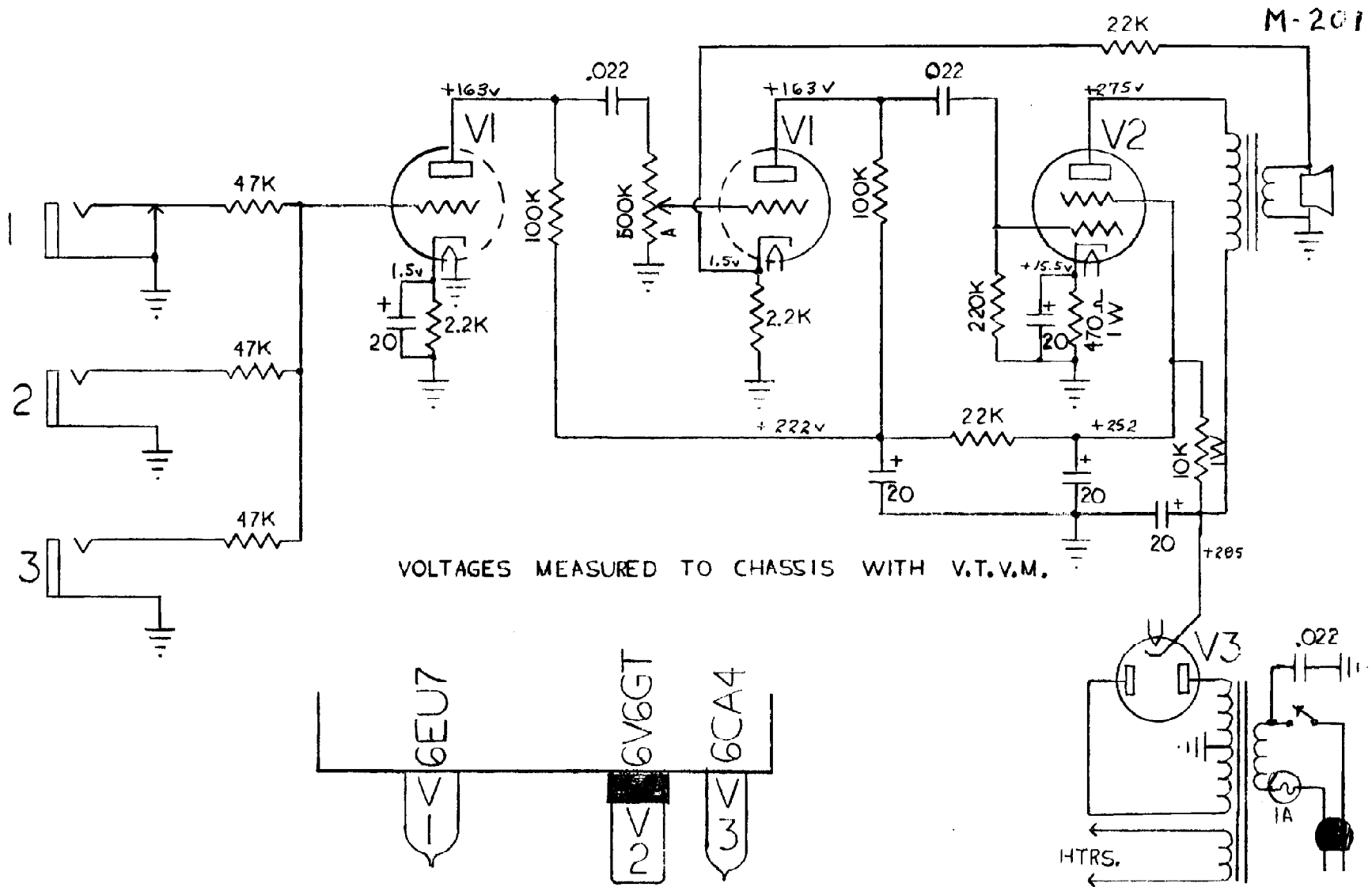
POWER SUPPLY CHASSIS



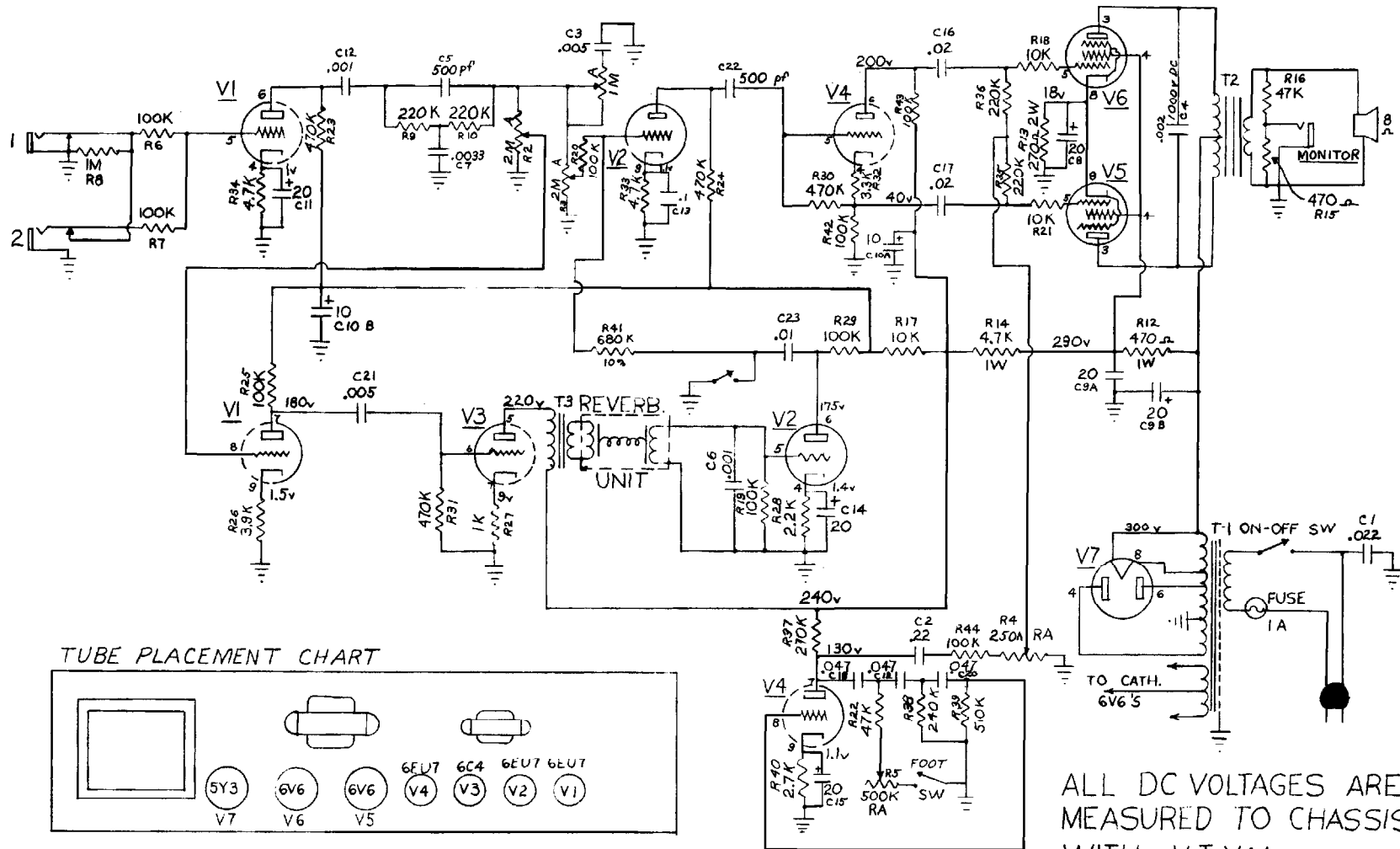
M1-RVT



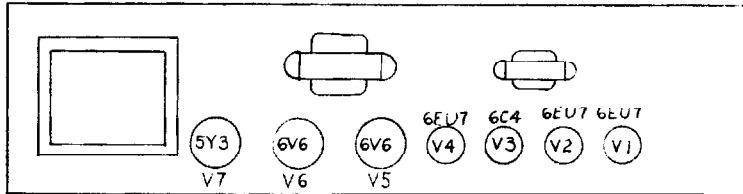
TUBE PLACEMENT CHART



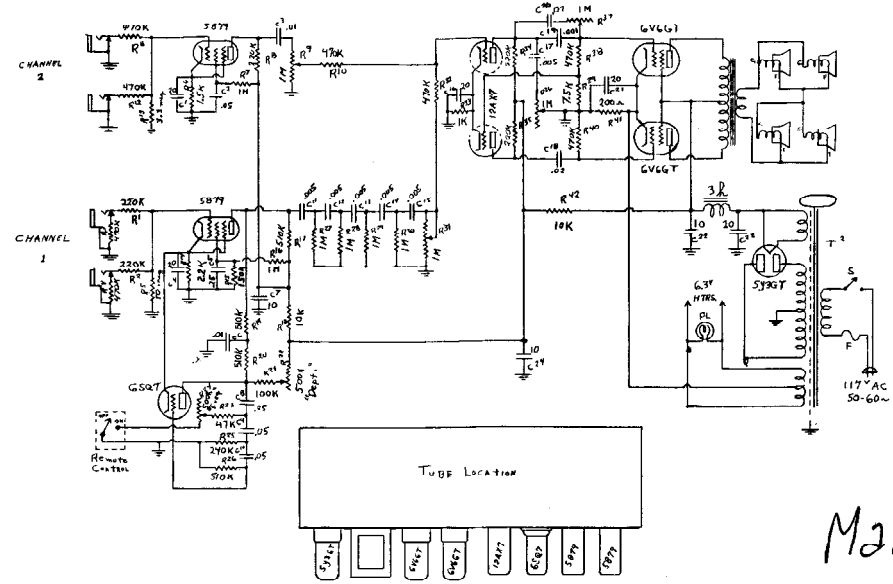
M-216 RVT



TUBE PLACEMENT CHART



ALL DC VOLTAGES ARE MEASURED TO CHASSIS WITH V.T.V.M.



MAESTRO

Voltagies to Chassis with 25,000 Ohms per Volt, Meter

Tube	Use	E _{p1}	E _{scr}	F _k	E _{p2}	E _B
5Y3	Rectifier	300V AC	+315	300V AC
6V6	Output	+305	+310	+18.5	+310
12AX7	Phase Inverter	+135	+1.25	+135	+275
5879	Channel 2	+88	+50	+1.53	+262
5879	Channel 1	+73	+31	+1.2	+262
6SQ7	Tremolo	+97*	+1.2	+275

*Tremolo "Off" and Depth Control at "Min."

PARTS LIST						
R1,2,8,34,33	220 K	1 Watt	10%	R39	7.5 K	1 Watt 5%
R3,4,10,11,12	470 K	1 Watt	20%	R41	200 ohm	7 Watts 10%
R5	10 meg.	1/2 Watt	20%	R38,40	470 K	1 Watt 5%
R6	1.5 K	1 Watt	10%	C1,4,16,21	20 mfd.	25 WV
R7,16,27,28,29,30	1 meg.	1 Watt	10%	C2,8,9,10	.05 mfd.	600 V
R9,31,36	1 meg.	Volume Control		C3,6	.01 mfd.	600 V
R13	3.3 meg.	1 Watt	20%	C5	.25 mfd.	200 V
R14	2.2 K	1 Watt	5%	C7,24	10 mfd.	450 V
R15	150 K	1/2 Watt	5%	C11,12,13,14,13,17	.005 mfd.	600 V
R17,26	510 K	1 Watt	5%	C18,20	.02 mfd.	600 V
R18,42	10 K	1 Watt	20%	C19	.001 mfd.	600 V
R19,20	510 K	1 Watt	10%	C22	10 mfd.	450 V
R21	100 K	1 Watt	10%	C23	20 mfd.	450 V
R22,24	500 K	Volume Control		T1	Output Trans.	(GA-40-02)
R23	*47 K	1 Watt		T2	Power Trans.	(GA-10-P)
R25	240 K	1 Watt	5%	S	Toggle Switch	SPST
R33	1 K	1 Watt	20%	F	Fuse	3 Amp. (3 AG)
R37	1 meg.	Volume Control		PL	Type 47	

*This Value Picked at Factory